



US00D783685S

(12) **United States Design Patent**
Gruber et al.

(10) **Patent No.:** **US D783,685 S**

(45) **Date of Patent:** **** Apr. 11, 2017**

- (54) **SNOW PUSHER**
- (71) Applicant: **C & A MARKETING, INC.**,
Ridgefield Park, NJ (US)
- (72) Inventors: **Abraham Gruber**, Brooklyn, NY (US);
Aharon Weiss, Monroe, NY (US)
- (73) Assignee: **C & A Marketing, Inc.**, Edison, NJ
(US)
- (**) Term: **15 Years**
- (21) Appl. No.: **29/558,526**
- (22) Filed: **Mar. 18, 2016**
- (51) **LOC (10) Cl.** **15-03**
- (52) **U.S. Cl.**
USPC **D15/11**
- (58) **Field of Classification Search**
USPC D15/10, 11, 28; D8/10, 106; 294/59;
37/272, 274, 276, 231, 322, 260, 265,
37/270, 285
CPC E01H 5/00; E01H 5/02; E02F 3/02
See application file for complete search history.

5,511,327 A *	4/1996	Jurkowski	E01H 5/02
				294/54.5
5,511,328 A *	4/1996	Fingerer	E01H 5/02
				294/54.5
D377,653 S *	1/1997	Matisz	D15/11
D396,236 S *	7/1998	Matisz	D15/11
D401,126 S *	11/1998	Sroufe	D8/10
D405,665 S *	2/1999	Whitehead	D8/10
D407,723 S *	4/1999	Weisman	D15/11
D459,641 S *	7/2002	Guneyasu	D8/10
D511,173 S *	11/2005	Fatemi	D15/11
D586,192 S *	2/2009	Chesness	D8/10
D626,388 S *	11/2010	Greenly	D8/10
D656,162 S *	3/2012	Wiik	D15/11
2005/0160632 A1 *	7/2005	Williams	E01H 5/02
				37/265
2005/0268498 A1 *	12/2005	Fortino	E01H 5/02
				37/285

* cited by examiner

Primary Examiner — Mark Goodwin

(74) *Attorney, Agent, or Firm* — Weiss & Arons LLP; Avi Goldenberg, Esq.

(57) **CLAIM**

The ornamental design for a snow pusher, as shown and described.

DESCRIPTION

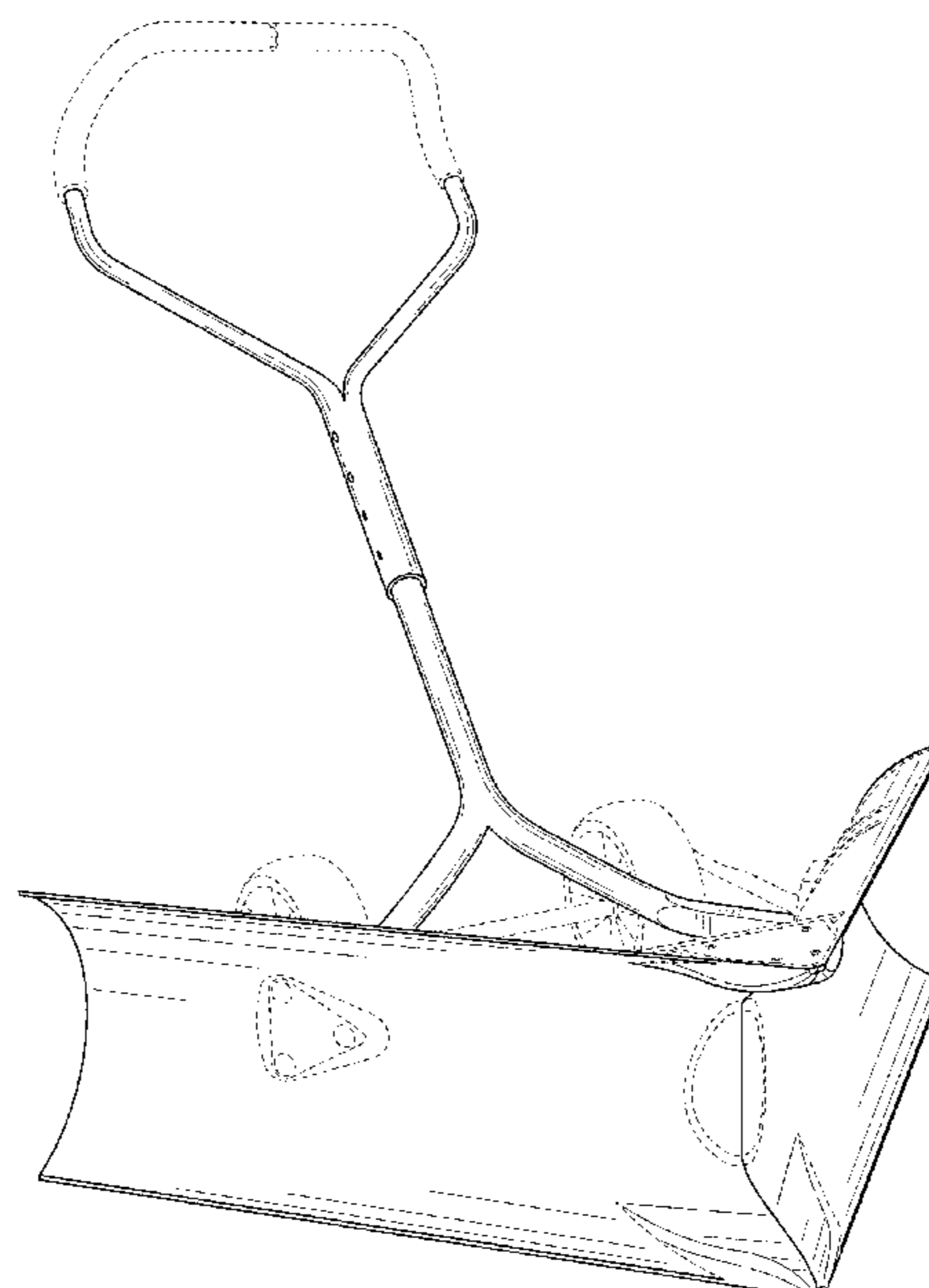
FIG. 1 is a top, front, left perspective view of a snow pusher showing our new design;
 FIG. 2 is a front elevational view thereof;
 FIG. 3 is a rear elevational view thereof;
 FIG. 4 is a left side elevational view thereof, the right side being a mirror image;
 FIG. 5 is a top plan view thereof; and,
 FIG. 6 is a bottom plan view thereof.
 The broken line showing of the environment is for illustrative purposes only and forms no part of the claimed design.

1 Claim, 6 Drawing Sheets

(56) **References Cited**

U.S. PATENT DOCUMENTS

2,863,232 A *	12/1958	Steinbach	E01H 5/02
				37/270
2,896,993 A *	7/1959	Pollock	E01H 5/02
				294/54.5
3,017,710 A *	1/1962	Carlson	B60B 37/10
				280/47.26
3,154,336 A *	10/1964	Nelson	E01H 5/02
				16/110.1
3,155,413 A *	11/1964	Holombo	E01H 5/02
				15/257.9
D305,603 S *	1/1990	Nelson	D15/11



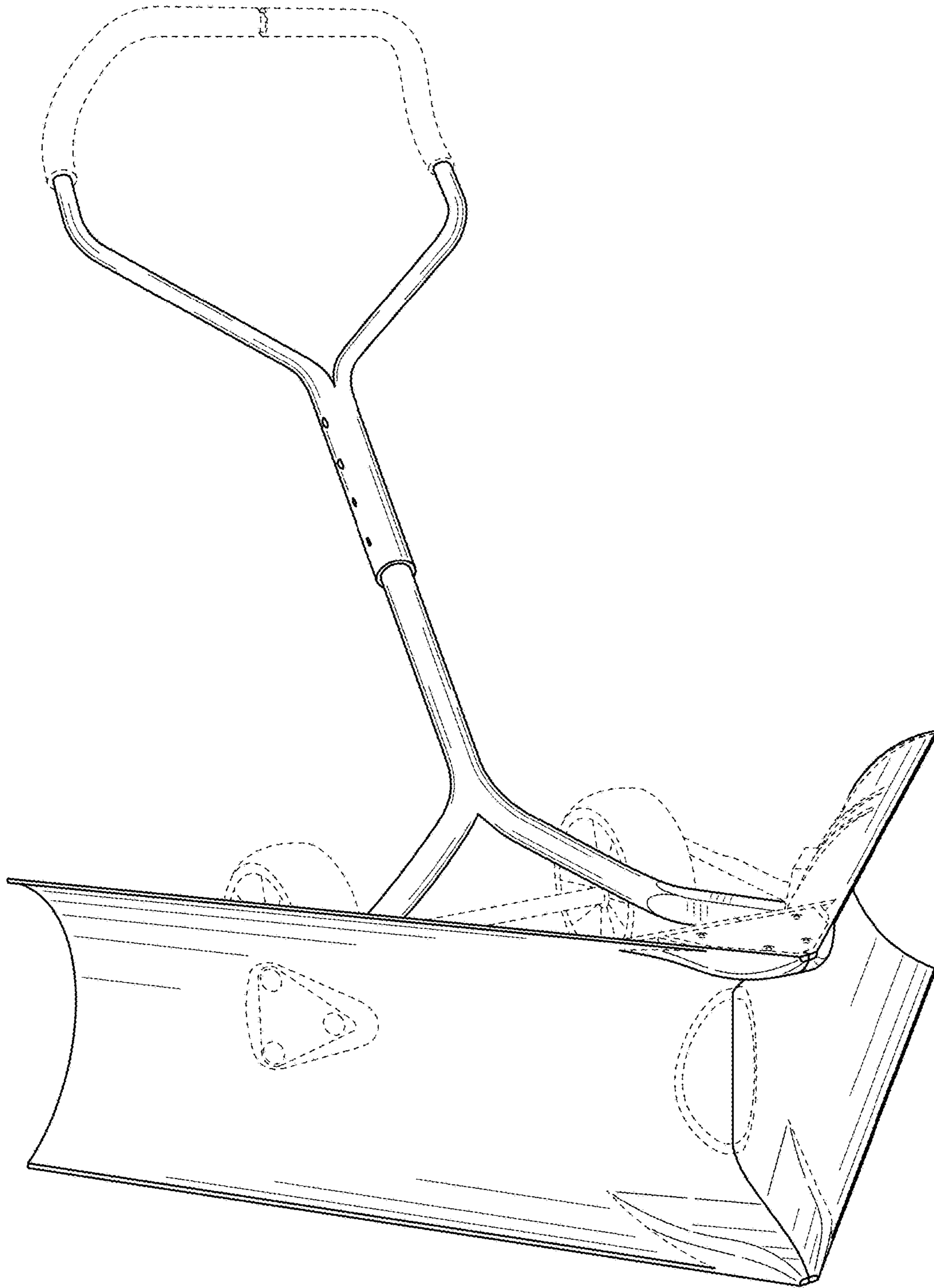


FIG. 1

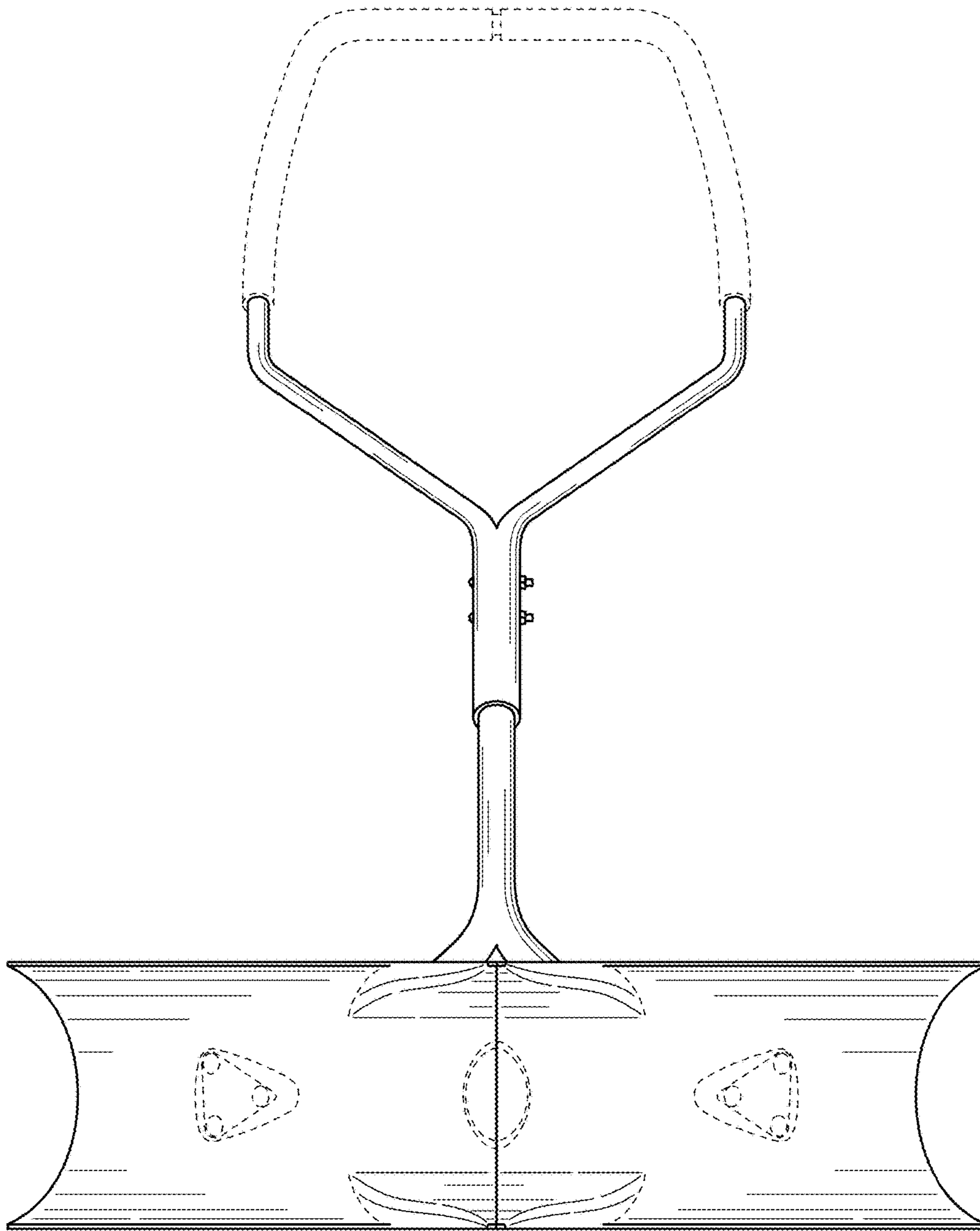


FIG. 2

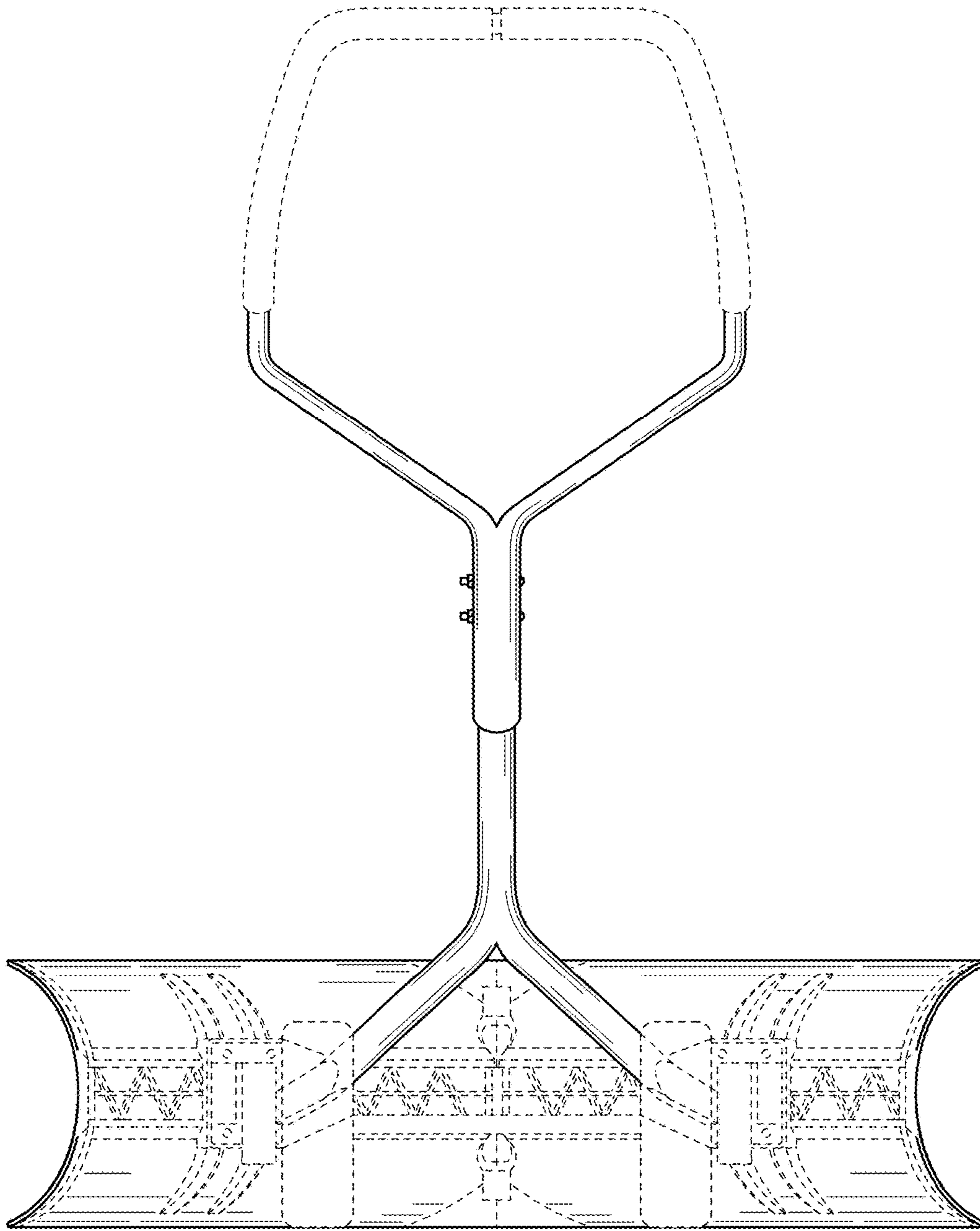


FIG. 3

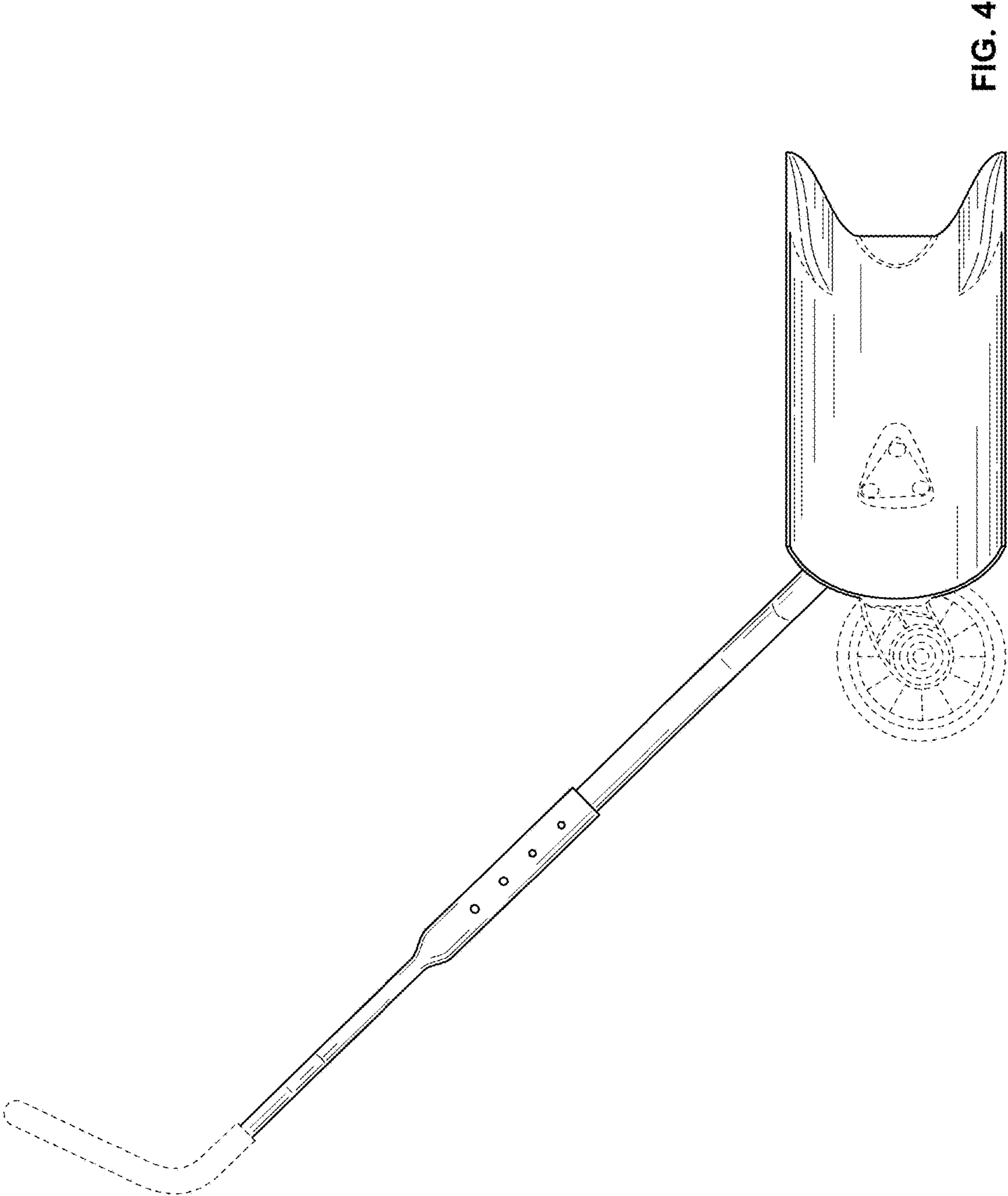


FIG. 4

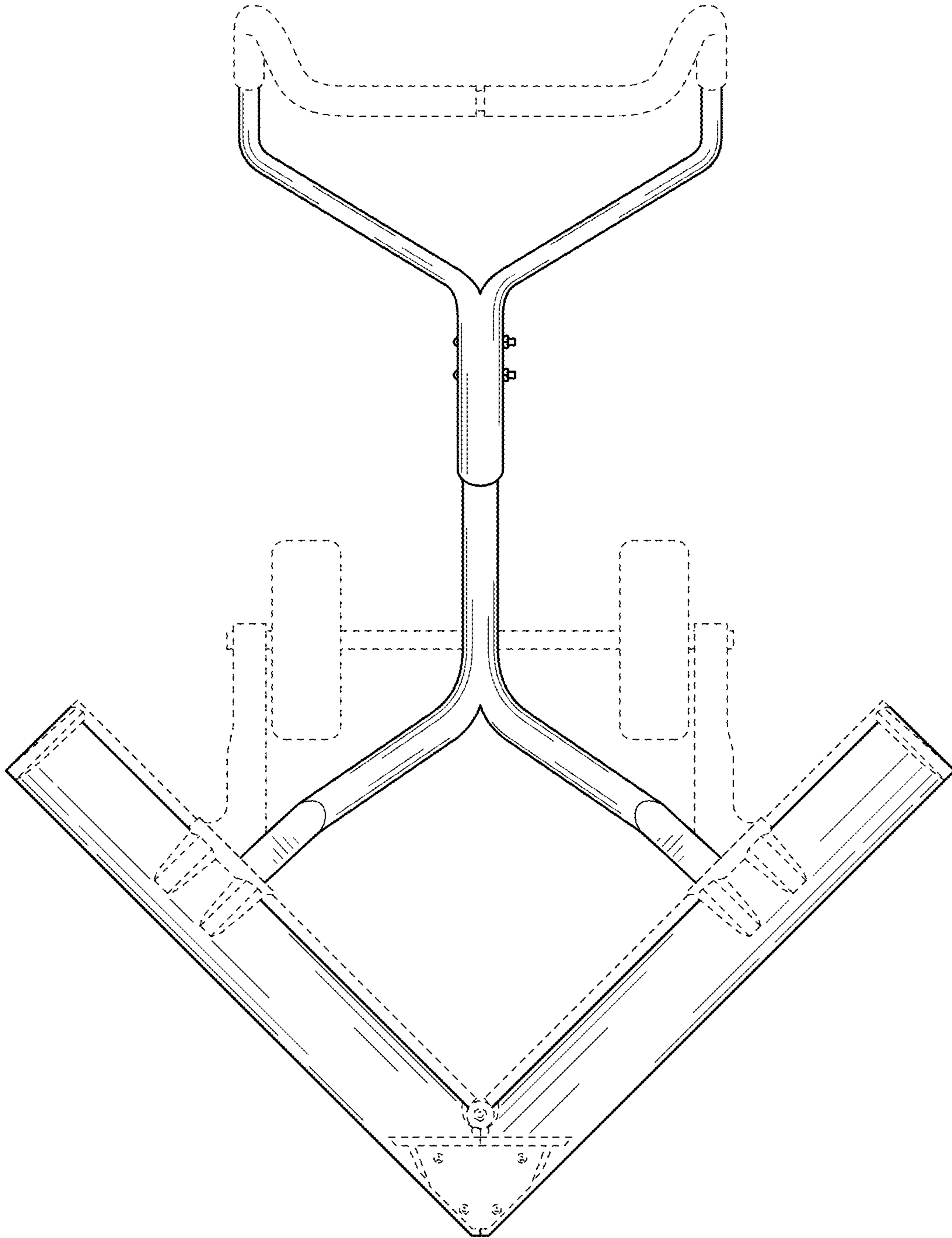


FIG. 5

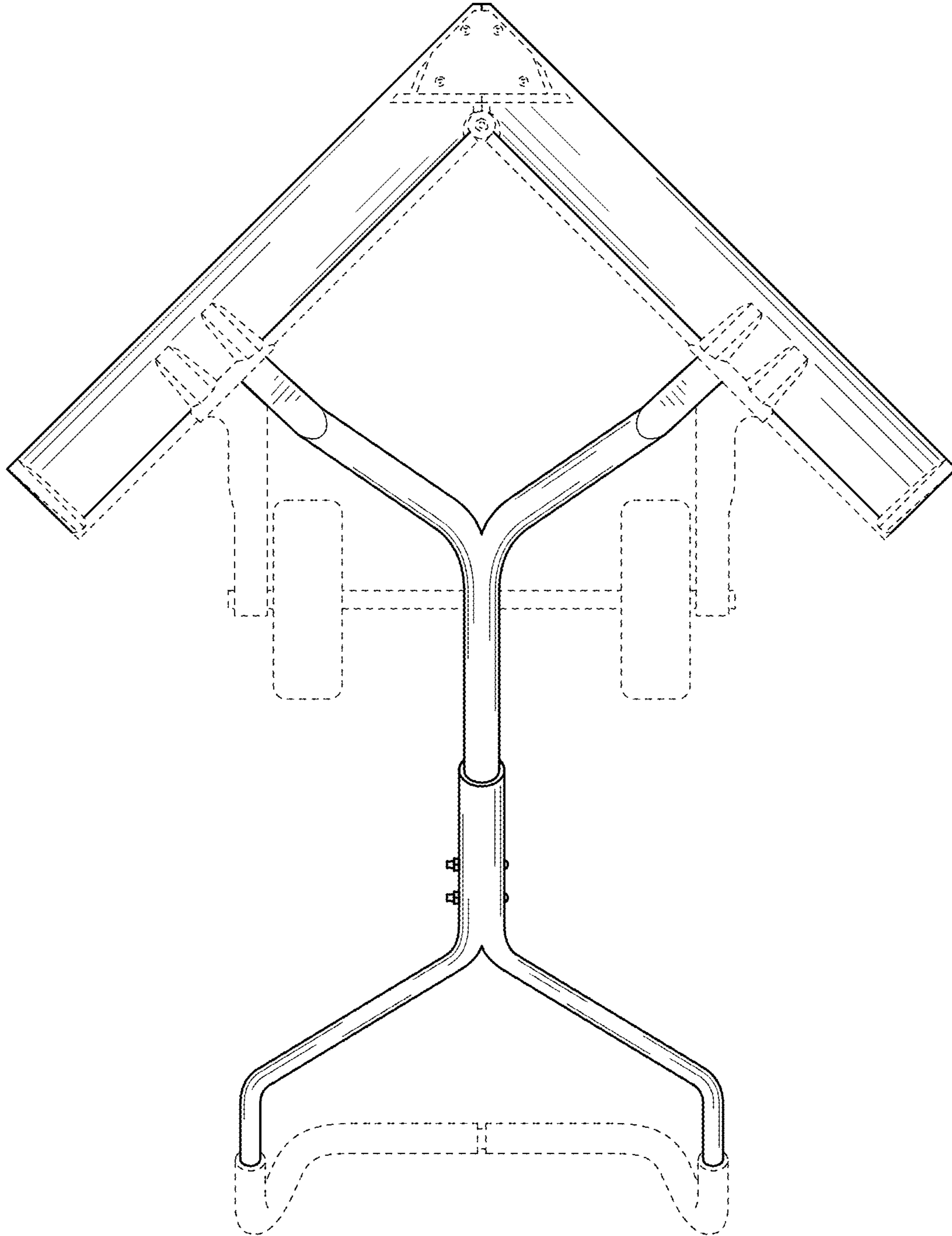


FIG. 6