



US00D783684S

(12) **United States Design Patent** (10) **Patent No.:** **US D783,684 S**  
**Fox** (45) **Date of Patent:** **\*\* \*Apr. 11, 2017**

(54) **EXTERNALLY MOUNTED PLENUM FOR LIMITED SLIP DIFFERENTIAL**

(71) Applicant: **Eaton Corporation**, Cleveland, OH (US)

(72) Inventor: **Matthew G. Fox**, Ceresco, MI (US)

(73) Assignee: **Eaton Corporation**, Cleveland, OH (US)

(\* ) Notice: This patent is subject to a terminal disclaimer.

(\*\*) Term: **14 Years**

(21) Appl. No.: **29/467,566**

(22) Filed: **Sep. 20, 2013**

**Related U.S. Application Data**

(63) Continuation-in-part of application No. 29/467,131, filed on Sep. 16, 2013.

(51) **LOC (10) Cl.** ..... **15-01**

(52) **U.S. Cl.**  
USPC ..... **D15/5**

(58) **Field of Classification Search**  
USPC ..... D15/5, 148, 149, 199; D12/160, 159; 475/226, 220, 149, 150, 151, 152, 153, 475/154, 249, 248, 231; 192/70.11; 180/305

See application file for complete search history.

(56) **References Cited**

**U.S. PATENT DOCUMENTS**

5,839,327 A 11/1998 Gage  
6,109,615 A 8/2000 Gildea et al.  
6,688,851 B2 2/2004 Phelan et al.

6,692,396 B1 2/2004 Grogg et al.  
6,733,411 B1 5/2004 Kaplan et al.  
7,318,511 B2 1/2008 Grogg  
7,341,136 B2 3/2008 Park  
7,361,114 B2 4/2008 Boddy  
8,021,259 B2 9/2011 Hilker et al.  
8,376,907 B2\* 2/2013 Poulin ..... 477/35  
8,764,601 B2\* 7/2014 Martin, III ..... 475/230  
8,870,702 B2\* 10/2014 Kii et al. .... 475/231  
2010/0093478 A1\* 4/2010 Guttenberger et al. .... 475/149  
2014/0011619 A1\* 1/2014 Pohl et al. .... 475/149

\* cited by examiner

*Primary Examiner* — T. Chase Nelson

*Assistant Examiner* — Ania Aman

(74) *Attorney, Agent, or Firm* — Remarck Law Group PLC

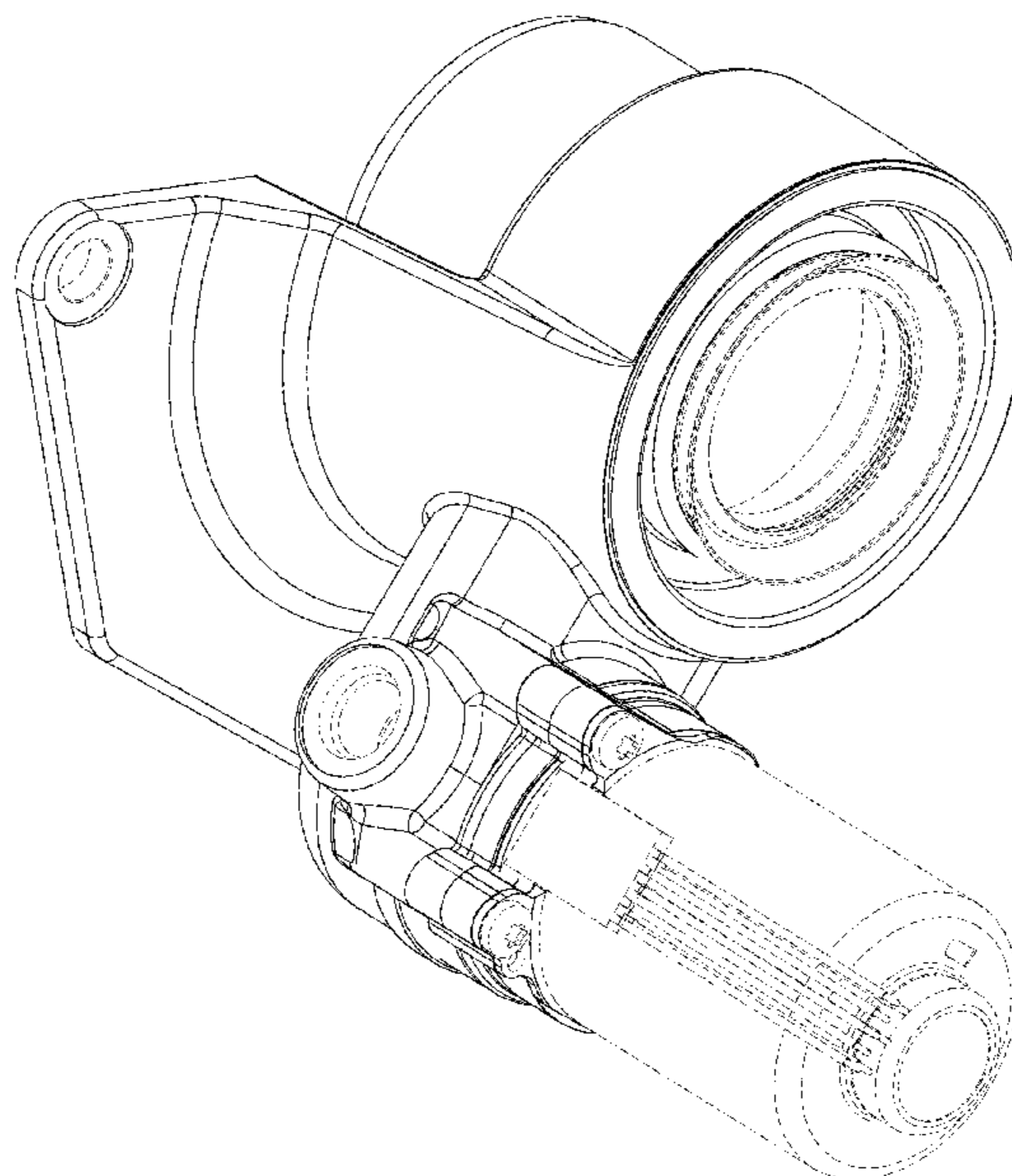
(57) **CLAIM**

The ornamental design for an externally mounted plenum for limited slip differential, as shown and described.

**DESCRIPTION**

FIG. 1 is a front perspective view of an externally mounted plenum for limited slip differential showing the new design. FIG. 2 is a first side elevation view of the externally mounted plenum for limited slip differential. FIG. 3 is a second side elevation view of the externally mounted plenum for limited slip differential. FIG. 4 is a front elevation view of the externally mounted plenum for limited slip differential. FIG. 5 is a top plan view of the externally mounted plenum for limited slip differential. FIG. 6 is a bottom plan view of the externally mounted plenum for limited slip differential; and, FIG. 7 is a rear elevation view of the externally mounted plenum for limited slip differential.

**1 Claim, 7 Drawing Sheets**



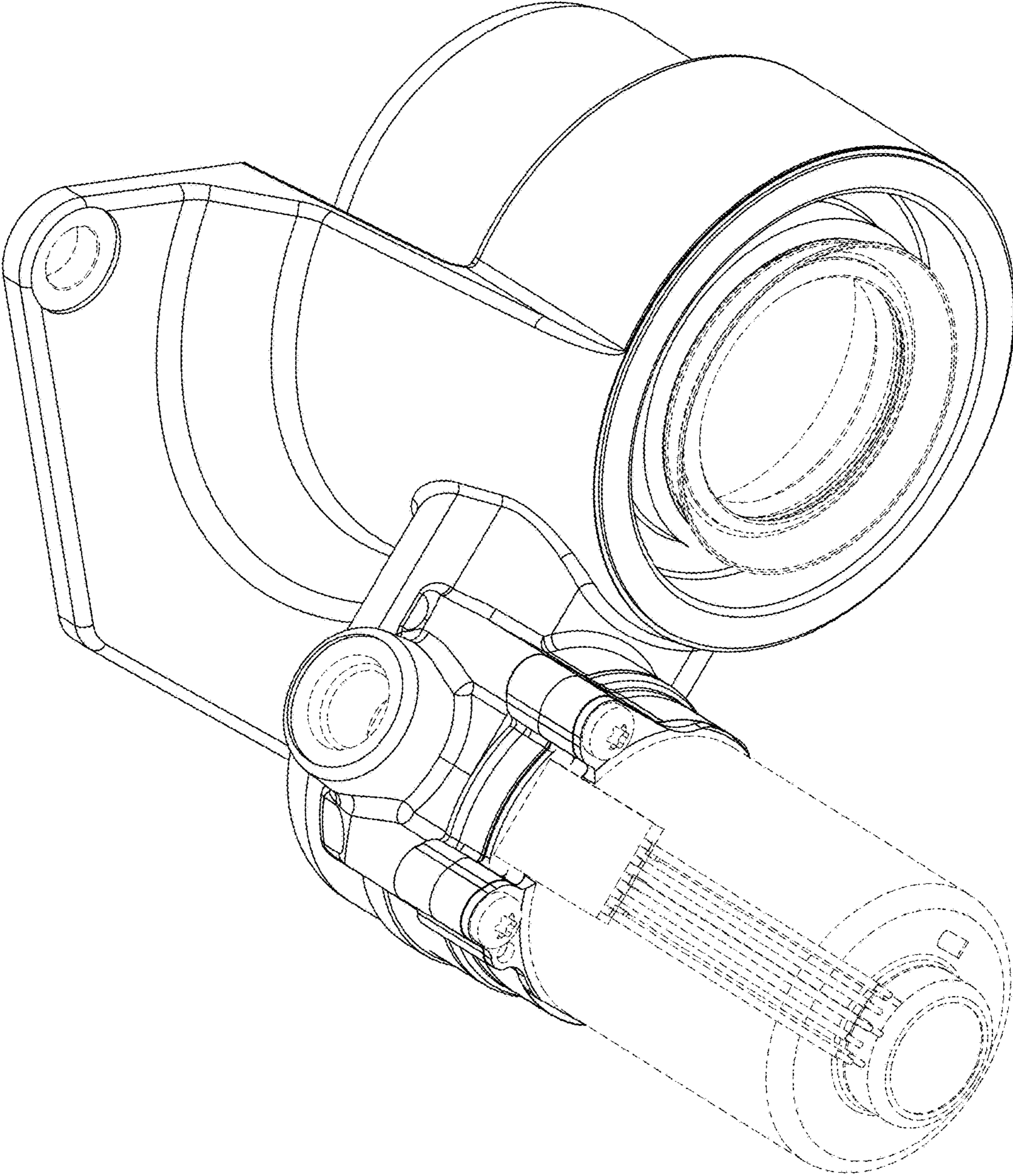


FIG - 1

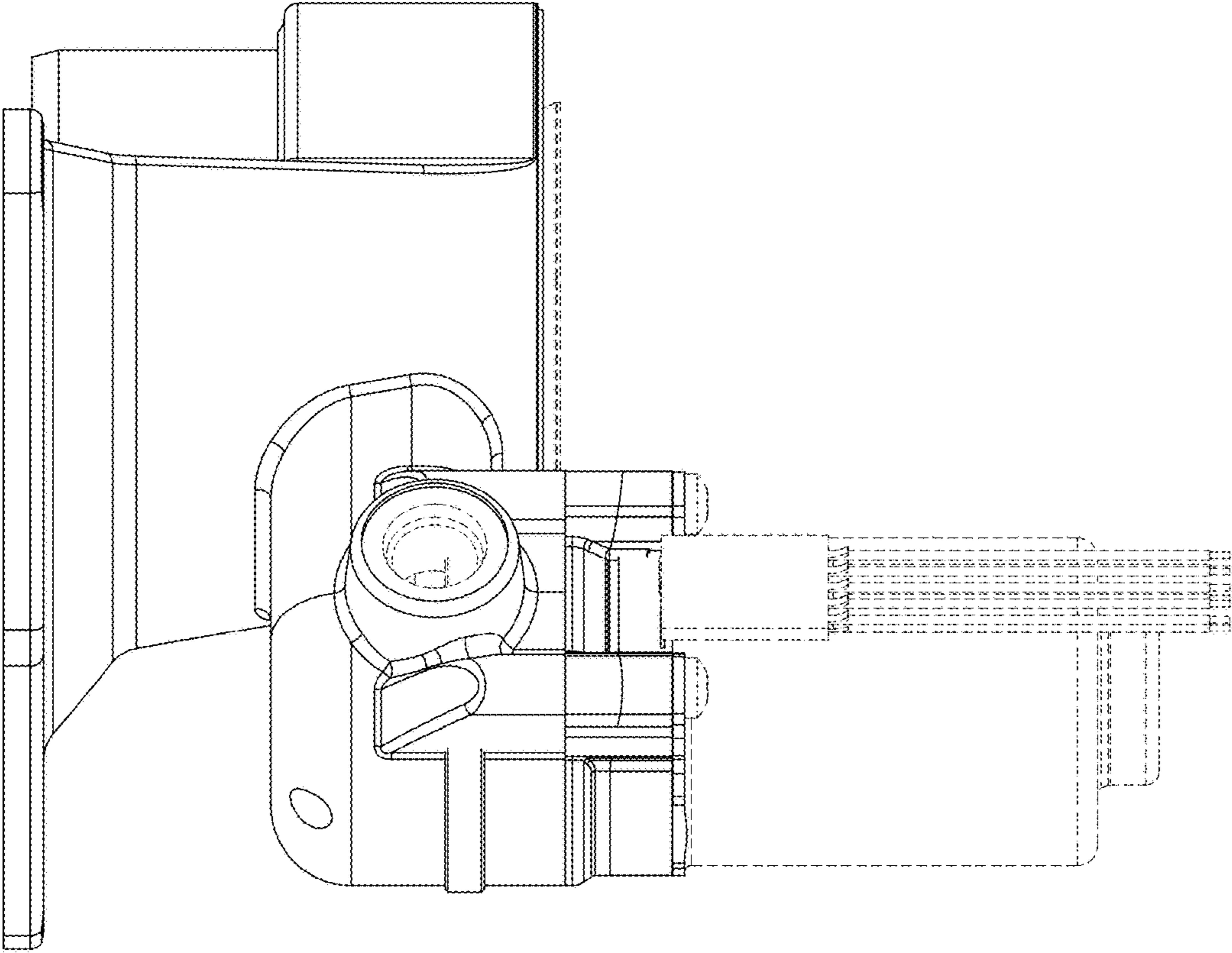


FIG - 2



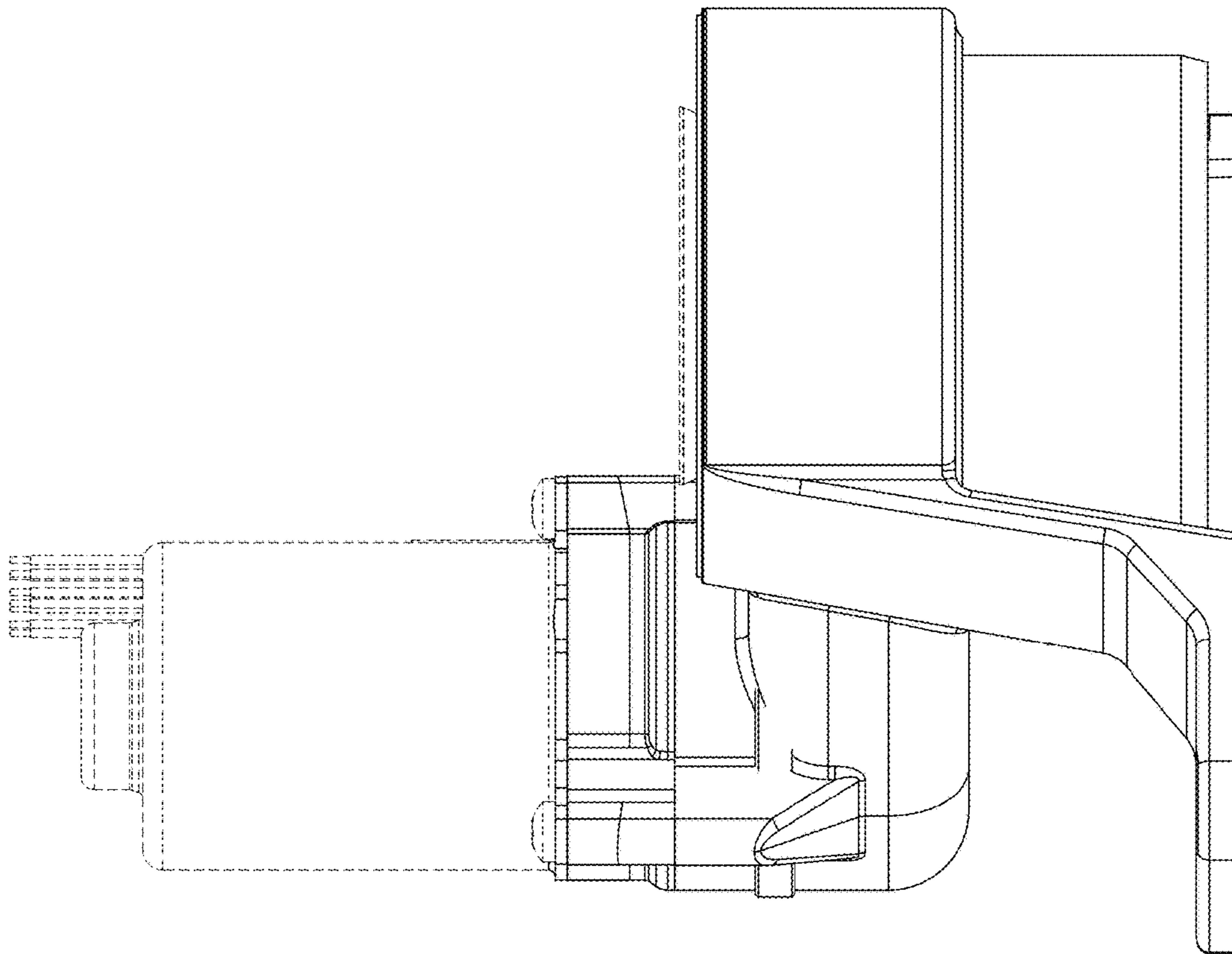


FIG - 3

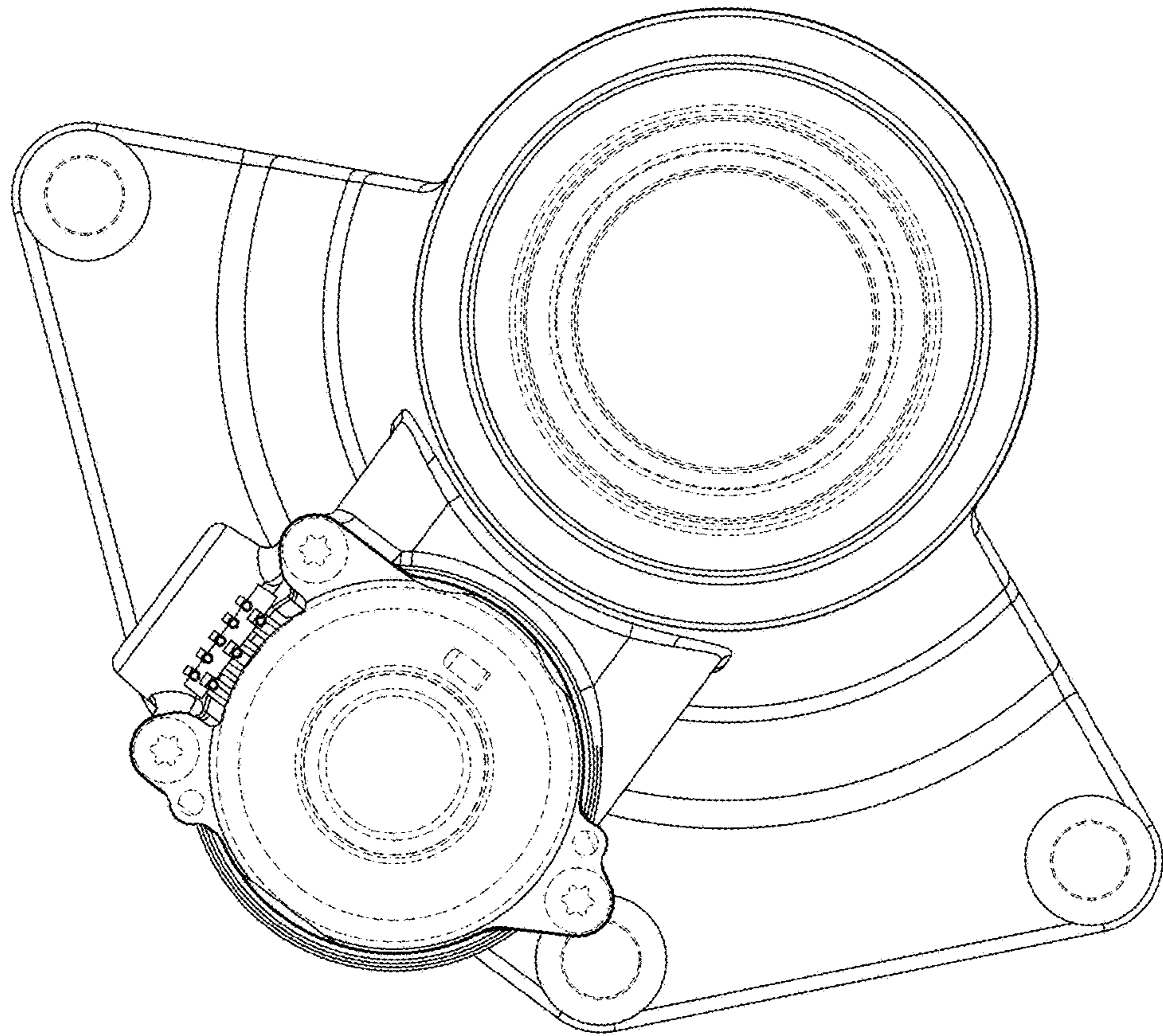


FIG - 4

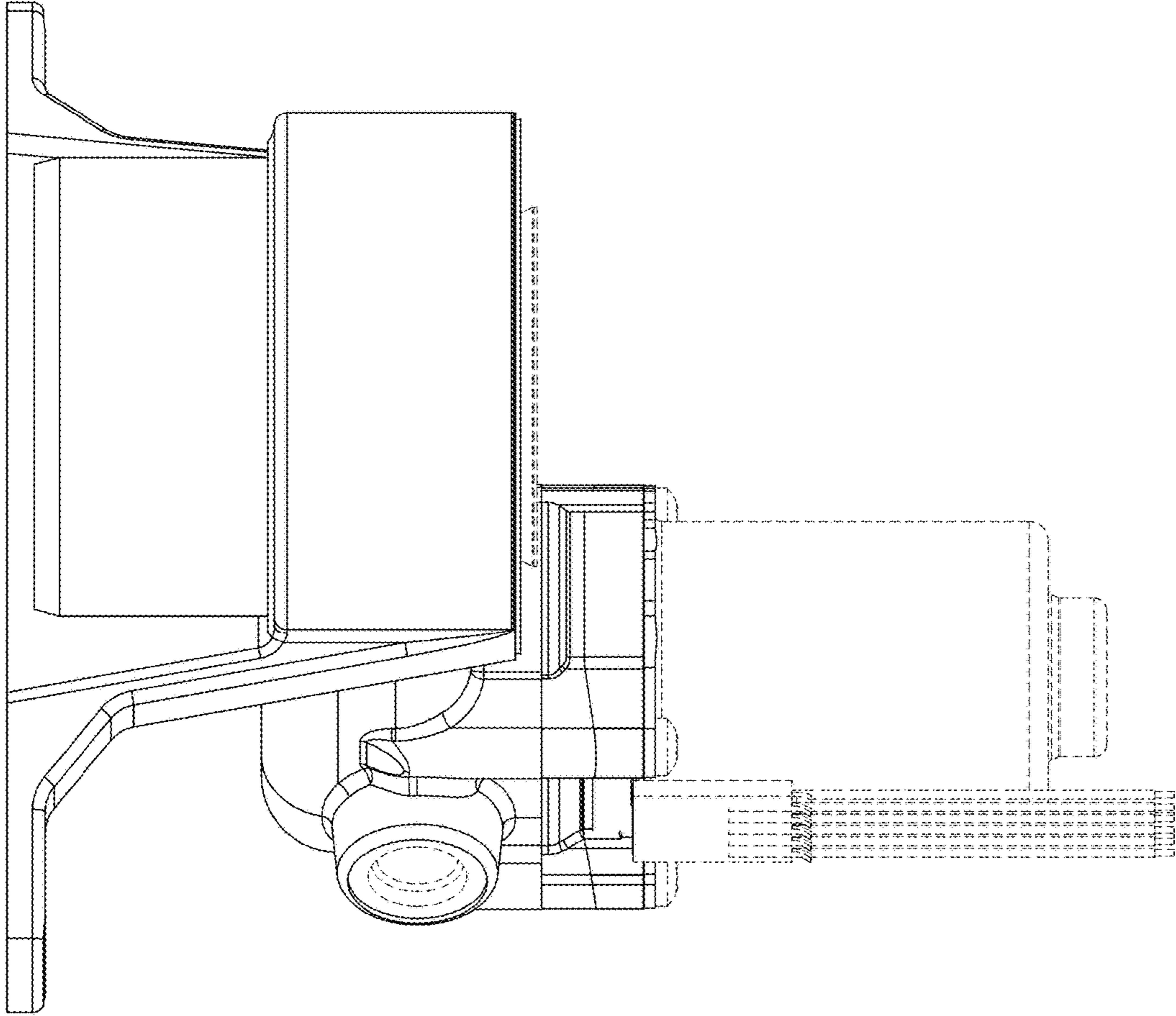


FIG - 5

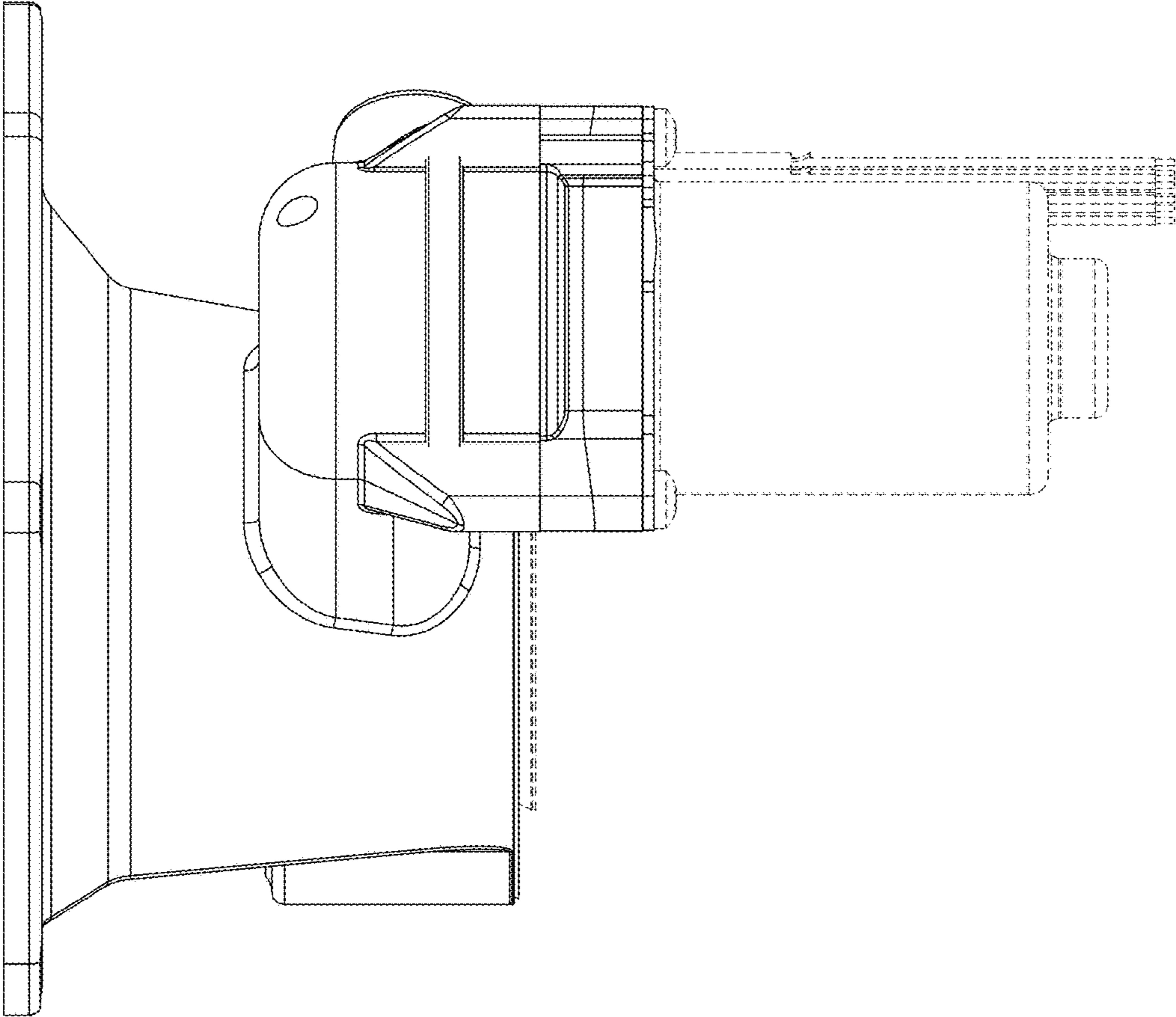


FIG - 6

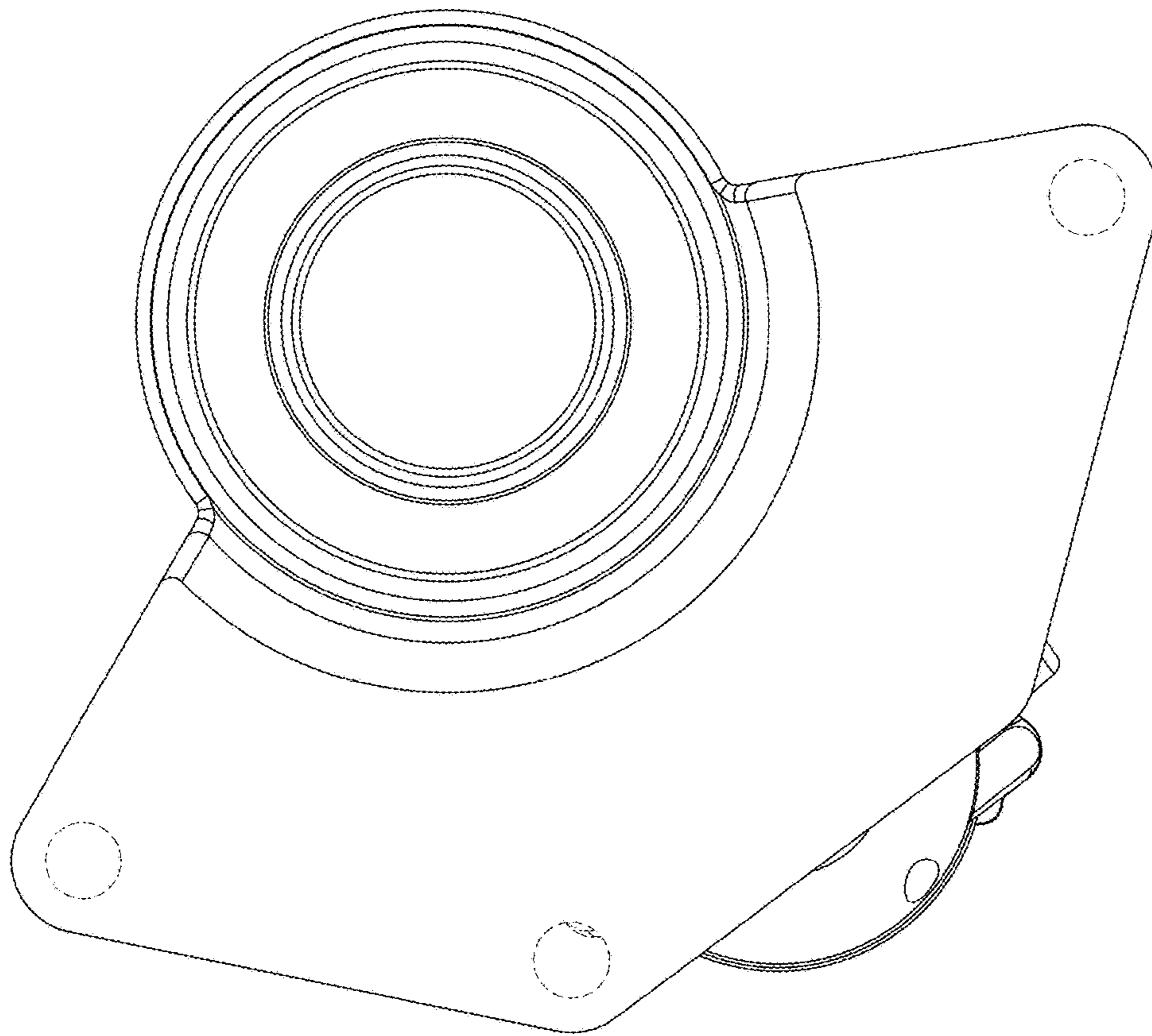


FIG - 7