



US00D783683S

(12) **United States Design Patent** (10) **Patent No.:** **US D783,683 S**
Graumann et al. (45) **Date of Patent:** **** Apr. 11, 2017**

(54) **DISPLAY SCREEN WITH ANIMATED GRAPHICAL USER INTERFACE**

(71) Applicant: **McAfee, Inc.**, Santa Clara, CA (US)

(72) Inventors: **David L. Graumann**, Portland, OR (US); **Rahuldeva Ghosh**, Portland, OR (US); **Ranjit S. Narjala**, Portland, OR (US)

(73) Assignee: **McAfee, Inc.**, Santa Clara, CA (US)

(**) Term: **14 Years**

(21) Appl. No.: **29/512,972**

(22) Filed: **Dec. 23, 2014**

(51) **LOC (10) Cl.** **14-04**

(52) **U.S. Cl.**
USPC **D14/495**

(58) **Field of Classification Search**
USPC D14/485-495
CPC G06T 13/80; G06T 15/02
See application file for complete search history.

(56) **References Cited**

U.S. PATENT DOCUMENTS

D473,151 S *	4/2003	Sedlak	D10/103
D669,497 S *	10/2012	Lee	D14/489
D677,271 S *	3/2013	Phelan	D14/489
D681,672 S *	5/2013	Phelan	D14/492
D697,076 S *	1/2014	Oda	D14/486
D701,869 S *	4/2014	Matas	D14/486
D716,325 S *	10/2014	Brudnicki	D14/486
8,875,041 B1 *	10/2014	Desai	G06F 3/04812 715/771
D737,855 S *	9/2015	Hastings	D14/495

(Continued)

OTHER PUBLICATIONS

Alisher9, load indicators set, posted at iStock, posting date Jul. 28, 2013. [online], [site visited Apr. 29, 2016]. Available from Internet,

<URL: <http://www.istockphoto.com/vector/load-indicators-set-gm465572979-26117800?st=30dcad6>>.*

(Continued)

Primary Examiner — Kevin Rudzinski

Assistant Examiner — Kathleen Jones

(74) *Attorney, Agent, or Firm* — Patent Capital Group

(57) **CLAIM**

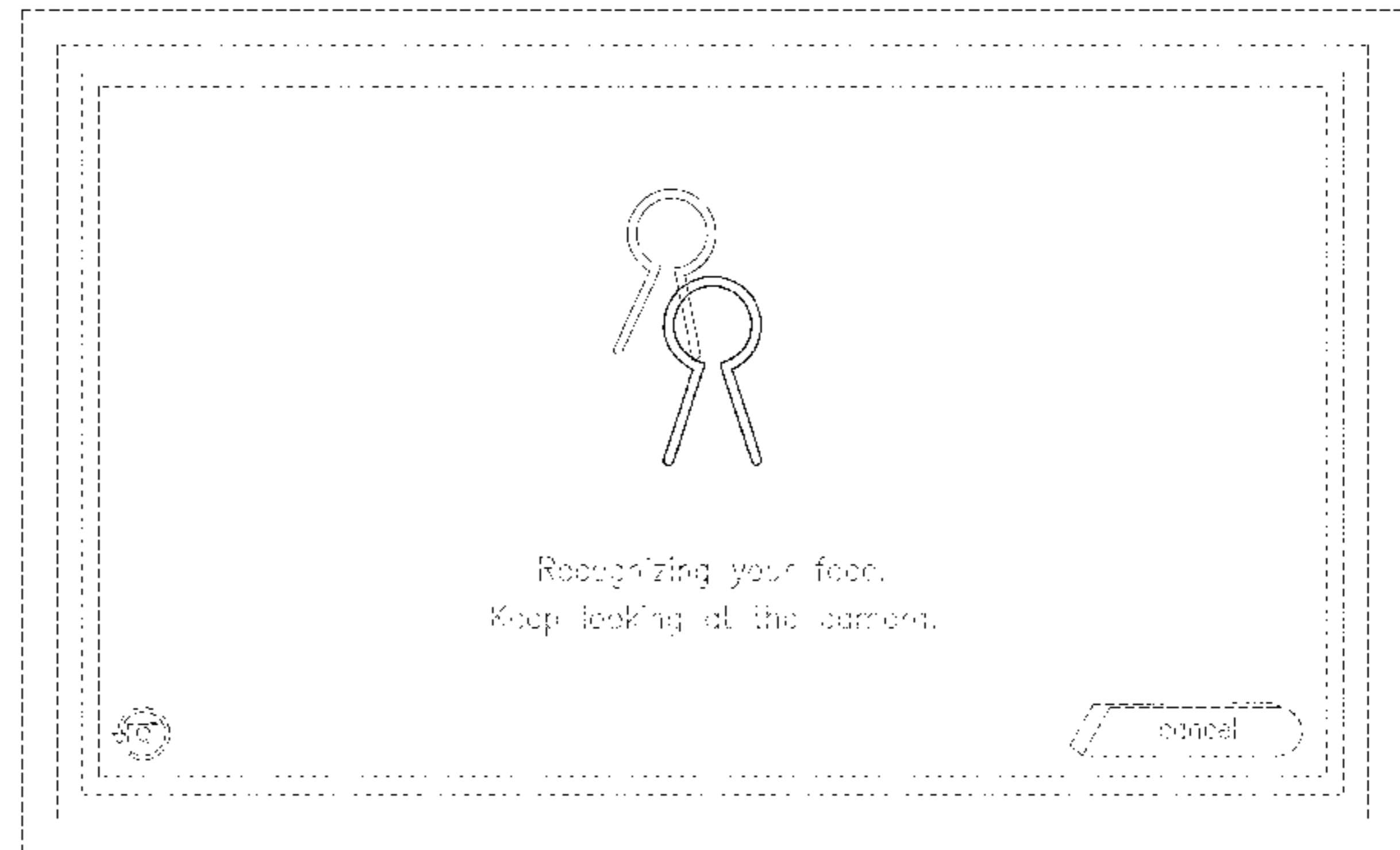
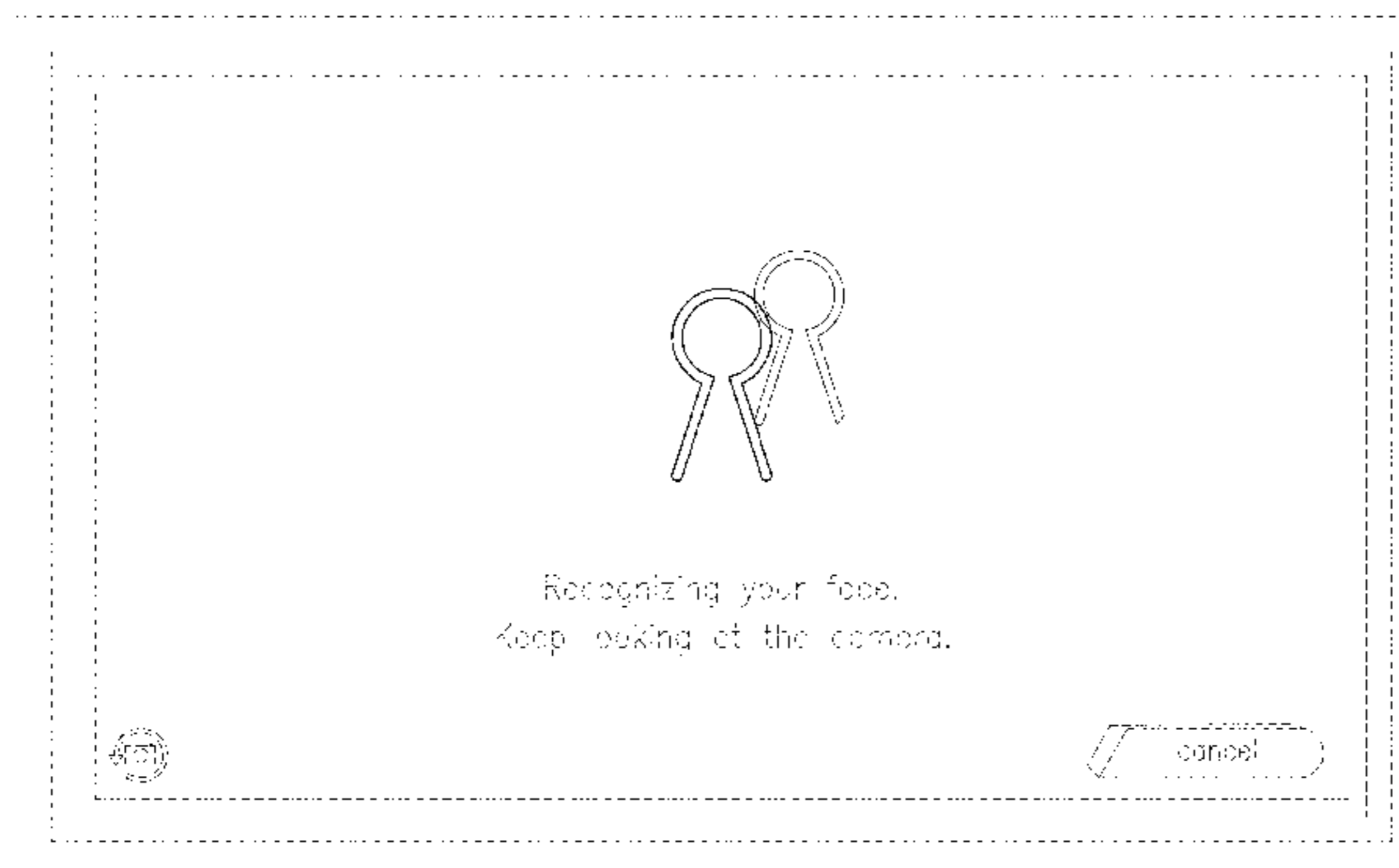
The ornamental design for a display screen with an animated graphical user interface, as shown and described.

DESCRIPTION

FIG. 1 is a front view of a display screen with an animated graphical user interface showing a first image of a sequence; FIG. 2 is a second image thereof; FIG. 3 is a third image thereof; FIG. 4 is a fourth image thereof; FIG. 5 is a fifth image thereof; FIG. 6 is a sixth image thereof; FIG. 7 is a seventh image thereof; and, FIG. 8 is an eighth image thereof.

The three outer-most broken line rectangles showing an electronic device in the FIGURES are included for the purpose of illustrating environmental structure; the inner-most broken line rectangle showing a display screen as well as the broken lines showing portions of the graphical user interface in the FIGURES are included for the purpose of illustrating portions of the article; all broken lines form no part of the claimed design. The appearance of the transitional image sequentially transitions between the images shown in FIGS. 1-8. The process or period in which one image transitions to another image forms no part of the claimed design.

1 Claim, 8 Drawing Sheets



(56)

References Cited

U.S. PATENT DOCUMENTS

D738,389 S * 9/2015 Drozd D14/485
 D740,302 S * 10/2015 Son D14/485
 D742,920 S * 11/2015 Yu D14/491
 D746,324 S * 12/2015 Kim D14/489
 D746,855 S * 1/2016 Choi D14/488
 D749,092 S * 2/2016 Lee D14/485
 D750,650 S * 3/2016 Lee D14/486
 D753,690 S * 4/2016 Vazquez D14/486
 D753,691 S * 4/2016 Vazquez D14/486
 D753,698 S * 4/2016 Moeri D14/486
 D757,058 S * 5/2016 Kai D14/486
 D759,672 S * 6/2016 Birks D14/485
 D762,704 S * 8/2016 Li D14/488
 D763,868 S * 8/2016 Lee D14/485
 2010/0007578 A1* 1/2010 Kikuchi G06F 3/0481
 345/2.2
 2011/0289544 A1* 11/2011 Goosen H04N 21/4384
 725/116
 2014/0125856 A1* 5/2014 Kim G06F 3/0482
 348/333.02

2014/0152597 A1* 6/2014 Lee G06F 3/0416
 345/173
 2016/0042443 A1* 2/2016 Osada G06Q 30/0643
 705/27.2
 2016/0103872 A1* 4/2016 Prophete G06F 17/30398
 707/722

OTHER PUBLICATIONS

Yamshanova, Tatyana, Design of progress bar, loading creativity, posted at hqstockphotos, posting date not available. [online], [site visited Apr. 29, 2016]. Available from Internet, <URL: <http://hqstockphotos.com/image/shutterstock-eps-230283799>>.*
 2NatS, Summer is loading creative graphic message for your summer design, posted at hqstockphotos, posting date not available. [online], [site visited Apr. 29, 2016]. Available from Internet, <URL: <http://hqstockphotos.com/image/shutterstock-eps-271551416>>.*
 Zhang et al, CN-303266137, posted at Orbit.com, publication date Jul. 1, 2015, application date Dec. 12, 2014. [online], [site visited Apr. 29, 2016].*

* cited by examiner

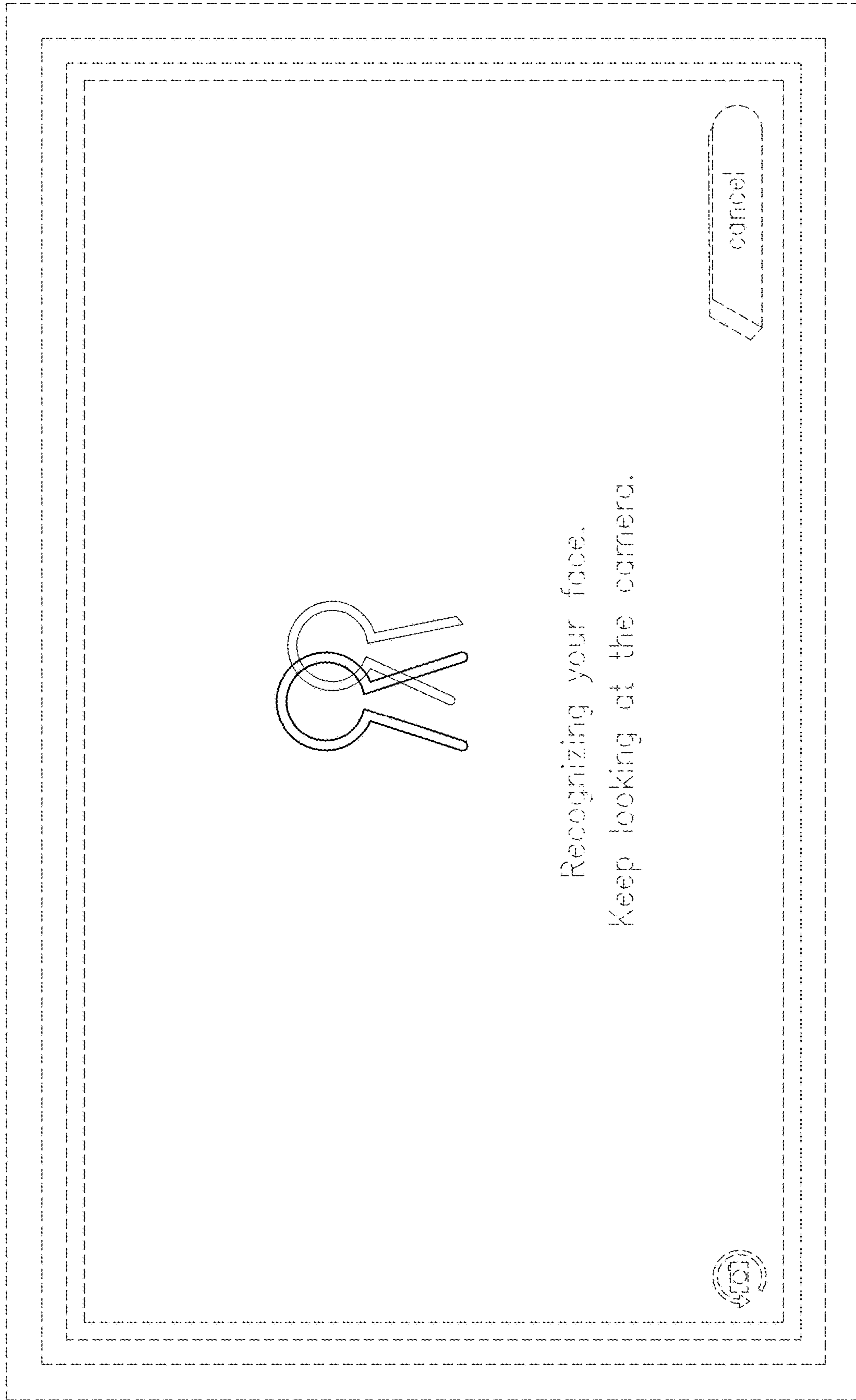


FIG. 1

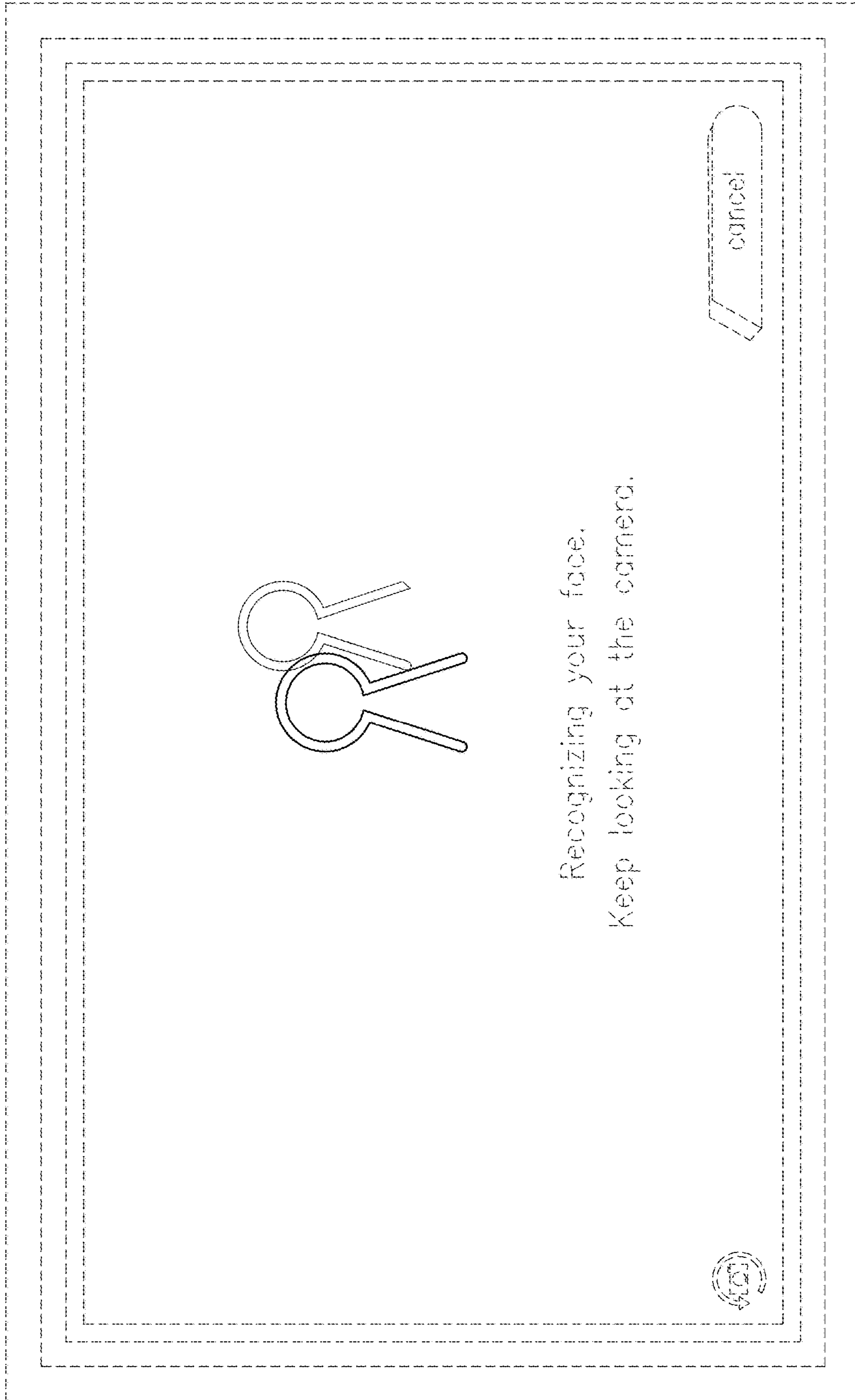


FIG. 2

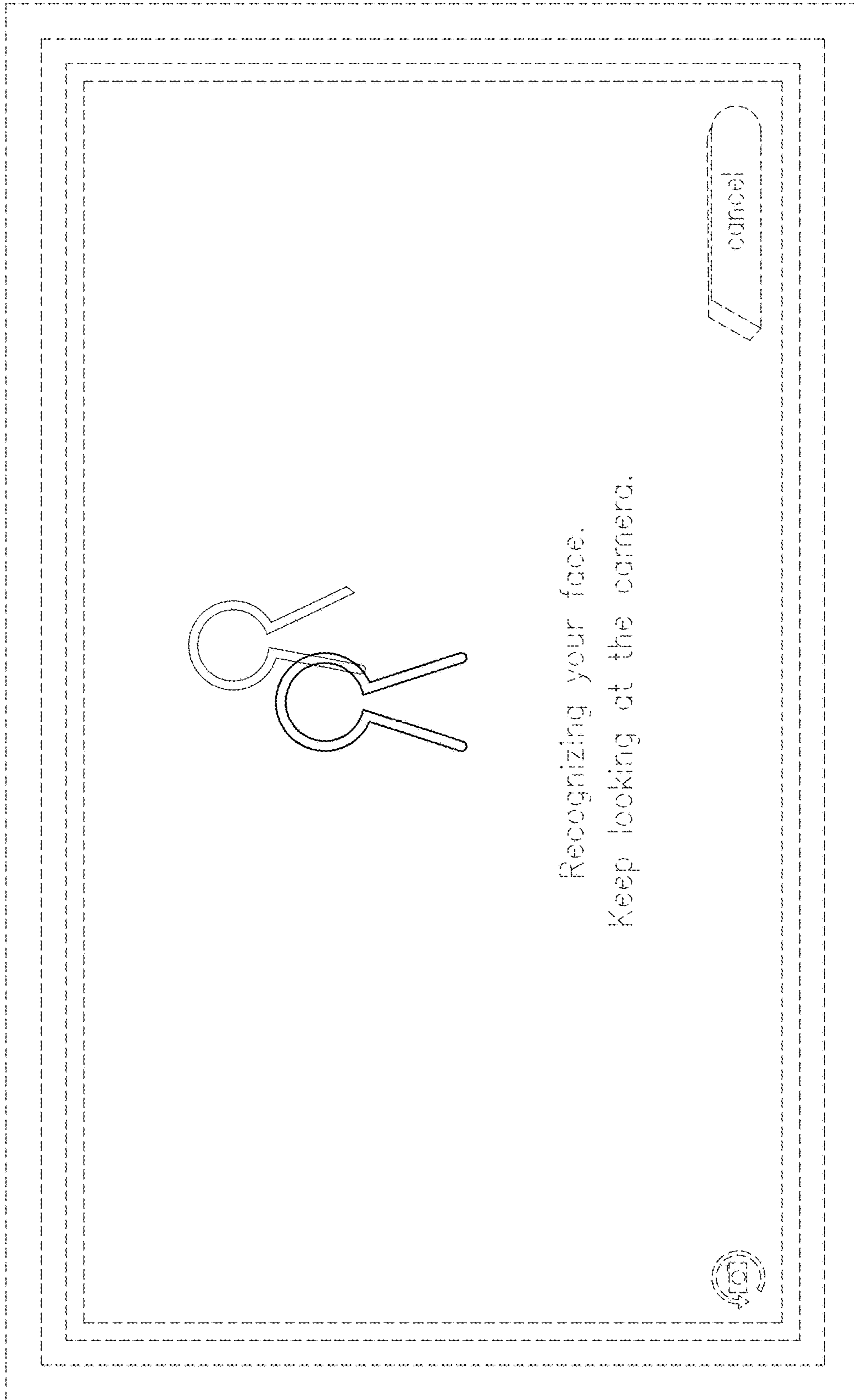


FIG. 3

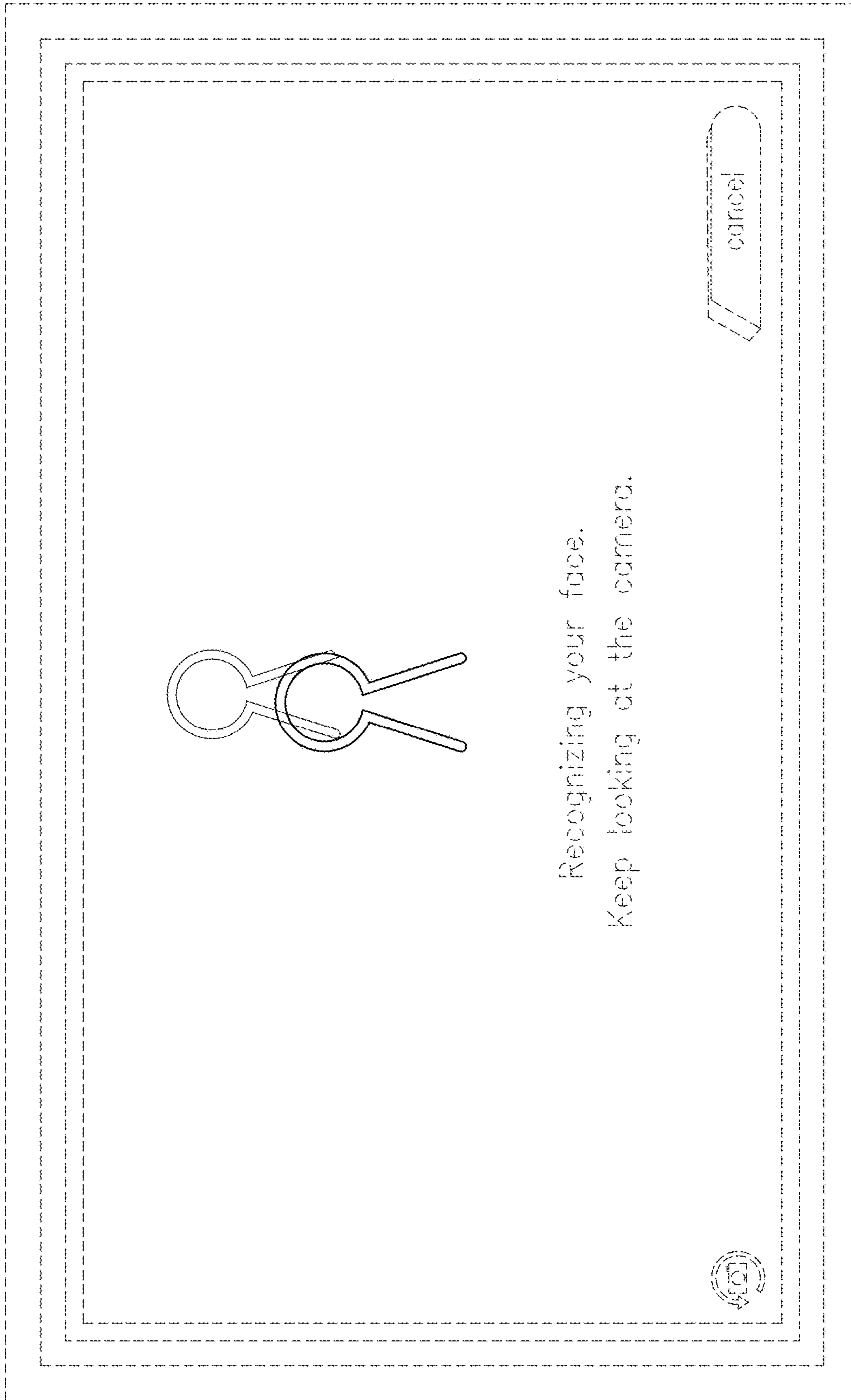


FIG. 4

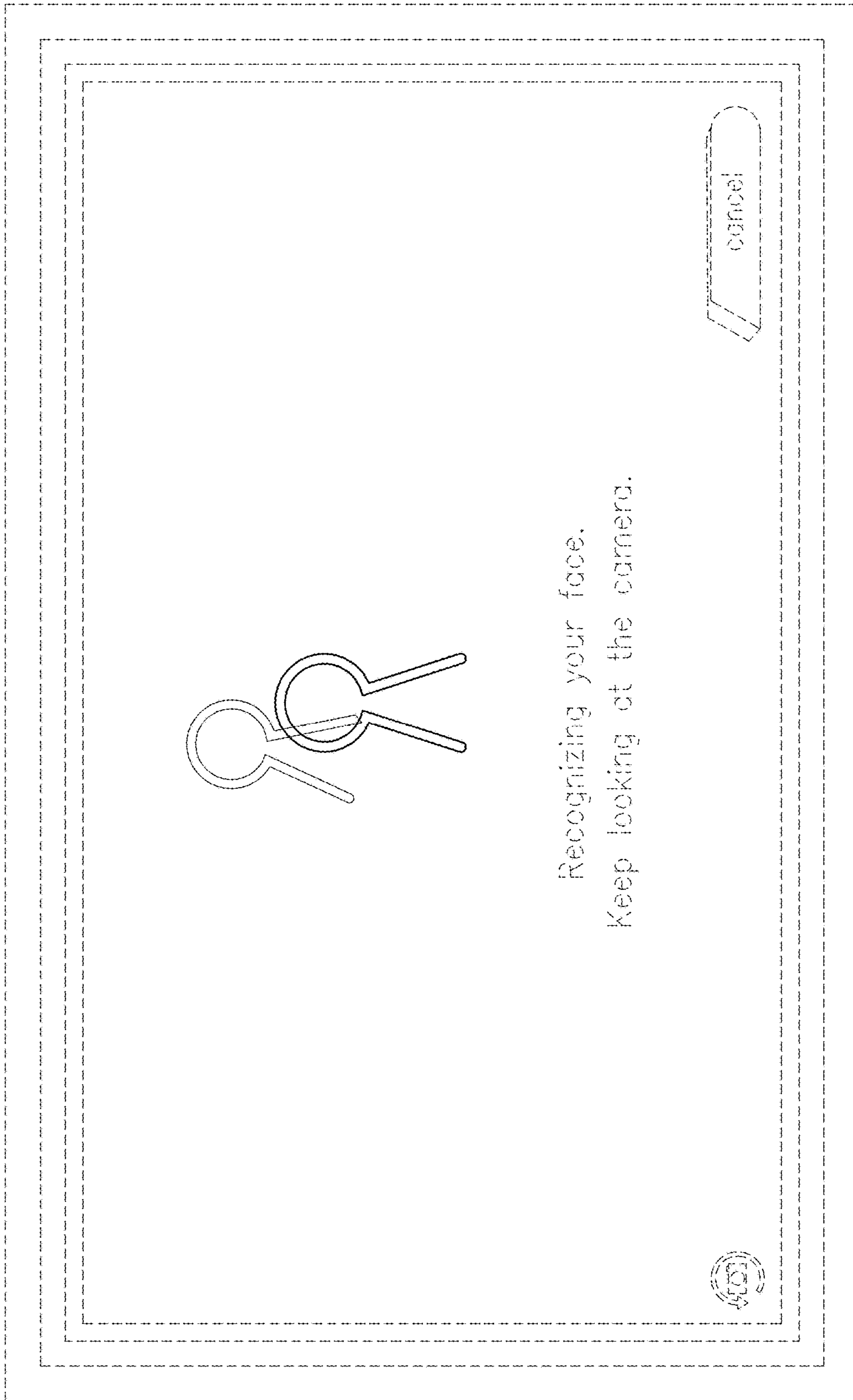
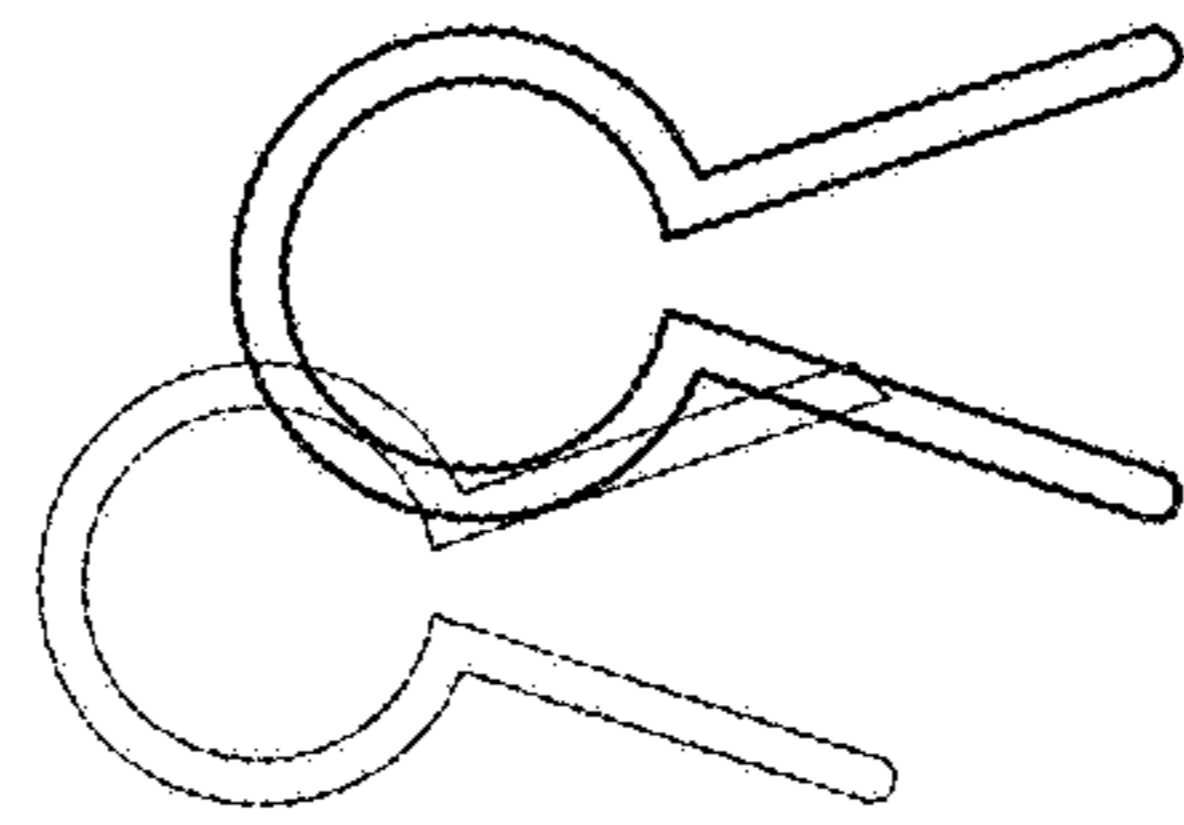
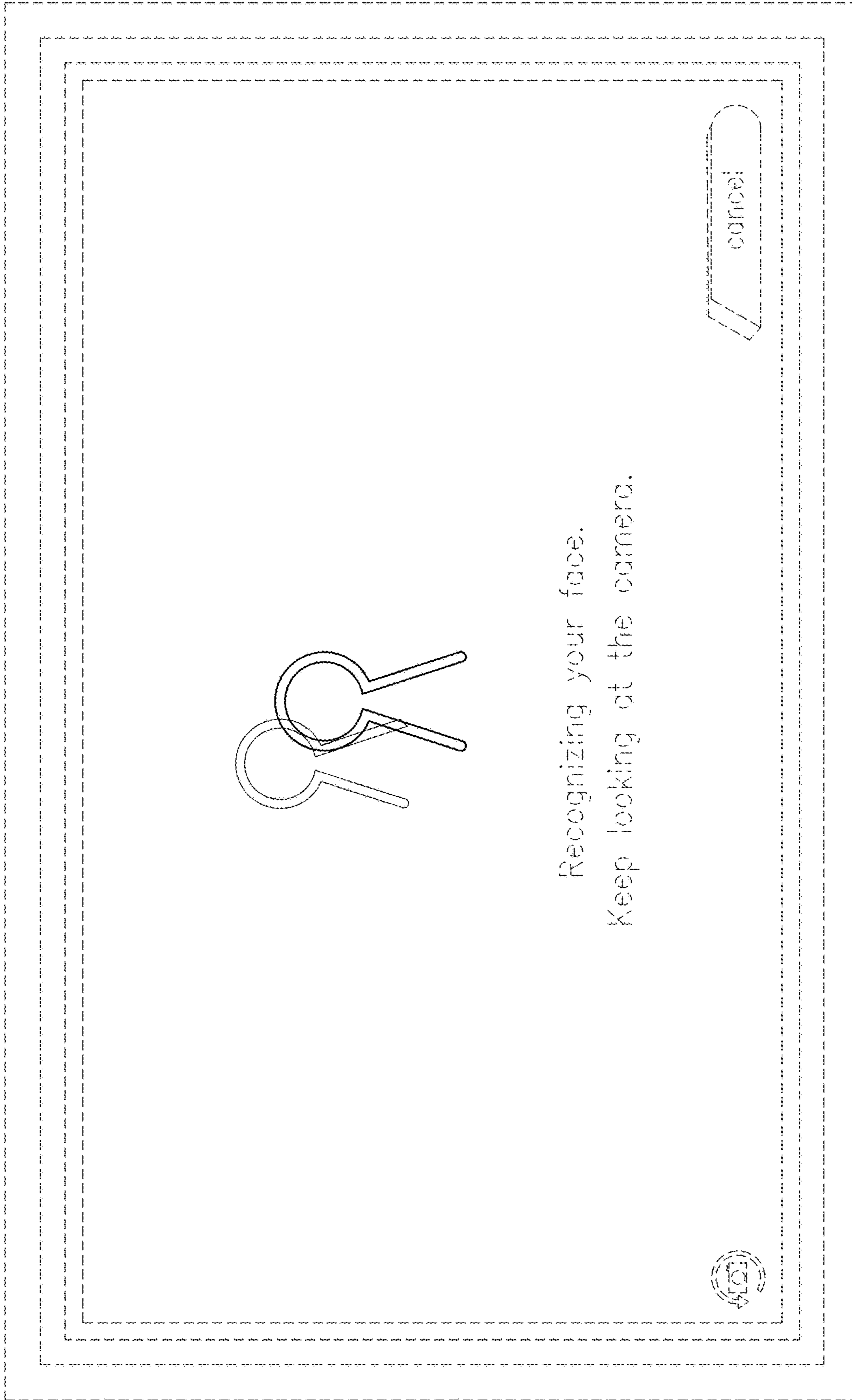


FIG. 5



Recognizing your face.
Keep looking at the camera.

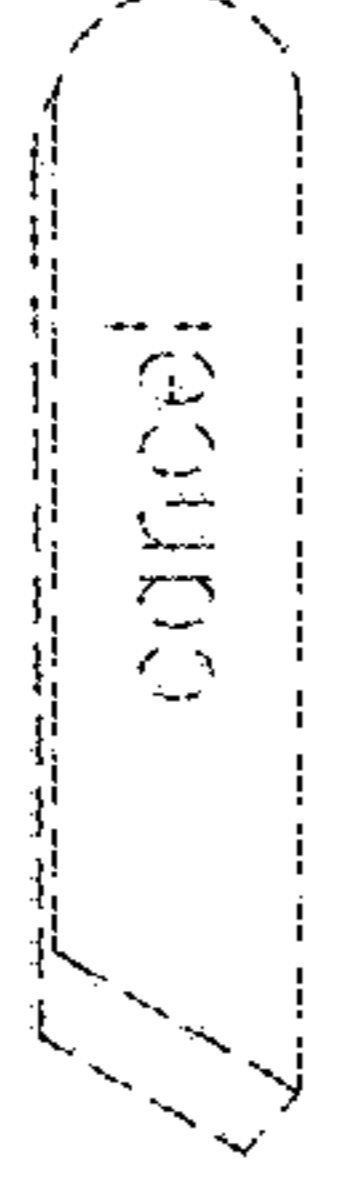


FIG. 6

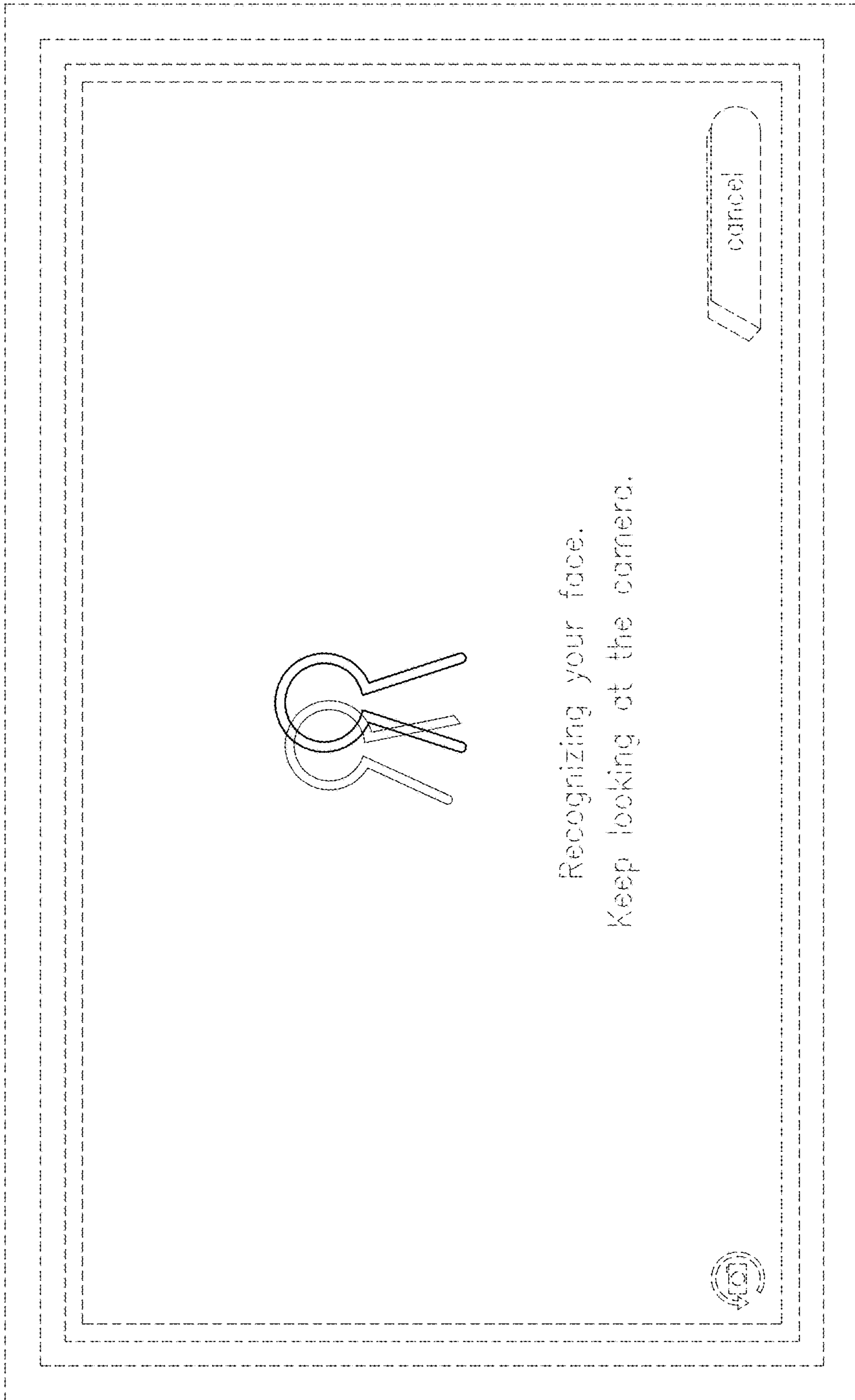


FIG. 7

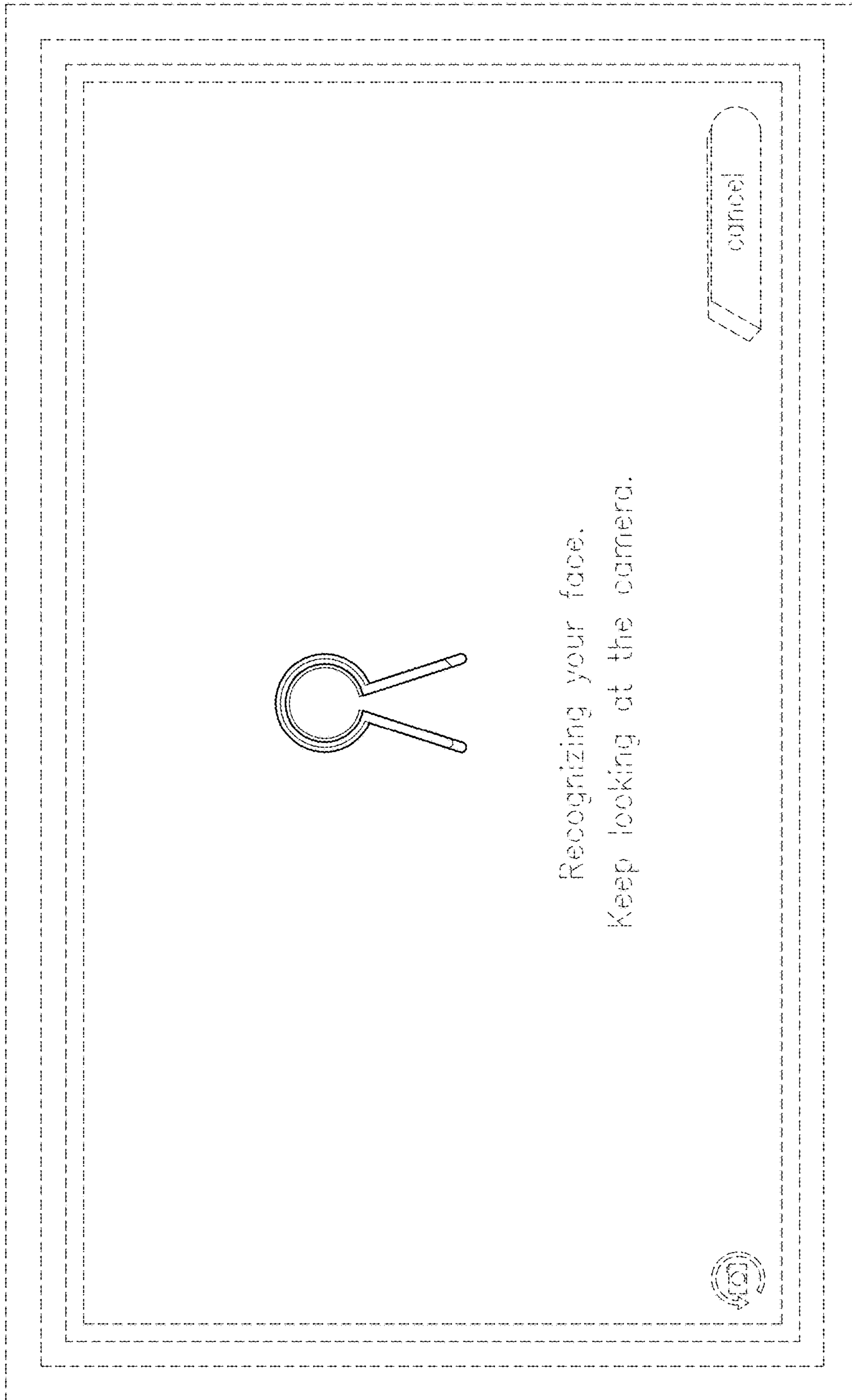


FIG. 8