



US00D783673S

(12) **United States Design Patent** (10) **Patent No.:** **US D783,673 S**
Xu (45) **Date of Patent:** **** Apr. 11, 2017**

(54) **DISPLAY SCREEN OR PORTION THEREOF WITH ANIMATED GRAPHICAL USER INTERFACE**

(71) Applicant: **ZTE Corporation**, Shenzhen, Guangdong (CN)

(72) Inventor: **Yuanyuan Xu**, Shenzhen (CN)

(73) Assignee: **ZTE Corporation**, Shenzhen, Guangdong (CN)

(**) Term: **14 Years**

(21) Appl. No.: **29/479,062**

(22) Filed: **Jan. 10, 2014**

(51) **LOC (10) Cl.** **14-04**

(52) **U.S. Cl.**
USPC **D14/489**

(58) **Field of Classification Search**
USPC D14/485-495
CPC G06F 3/048; G06F 3/0481; G06F 3/04812; G06F 3/04815; G06F 3/04817; G06F 3/0482; G06F 3/0483; G06F 3/0484; G06F 3/04842; G06F 3/04845; G06F 3/04847; G06F 3/0485; G06F 3/04855; G06F 3/0486; G06F 3/0487; G06F 3/0488; G06F 3/04883; G06F 3/04886; H04N 1/00424

See application file for complete search history.

(56) **References Cited**

U.S. PATENT DOCUMENTS

D624,926 S * 10/2010 Allen D14/485
D625,319 S * 10/2010 Allen D14/485
D630,643 S * 1/2011 Wilson D14/486
D644,661 S * 9/2011 Gardner D14/495
D645,470 S * 9/2011 Matas D14/489

D676,060 S * 2/2013 Frost D14/490
D677,271 S * 3/2013 Phelan D14/489
D690,718 S * 10/2013 Thomsen D14/485
D716,320 S * 10/2014 Fan D14/485
D716,321 S * 10/2014 Fan D14/485
D722,072 S * 2/2015 Sloo D14/486
D726,219 S * 4/2015 Chaudhri D14/489
D737,288 S * 8/2015 Oda D14/485

(Continued)

Primary Examiner — Melanie H Tung

Assistant Examiner — Bao-Yen Nguyen

(74) *Attorney, Agent, or Firm* — Oppedahl Patent Law Firm LLC

(57) **CLAIM**

The ornamental design for a display screen or portion thereof with animated graphical user interface, as shown and described.

DESCRIPTION

FIG. 1 is a front view of the first image in the sequence of my new design for a display screen or portion thereof with animated graphical user interface.

FIG. 2 is the second image thereof.

FIG. 3 is the third image thereof.

FIG. 4 is the fourth image thereof.

FIG. 5 is the fifth image thereof.

FIG. 6 is the sixth image thereof.

FIG. 7 is the seventh image thereof.

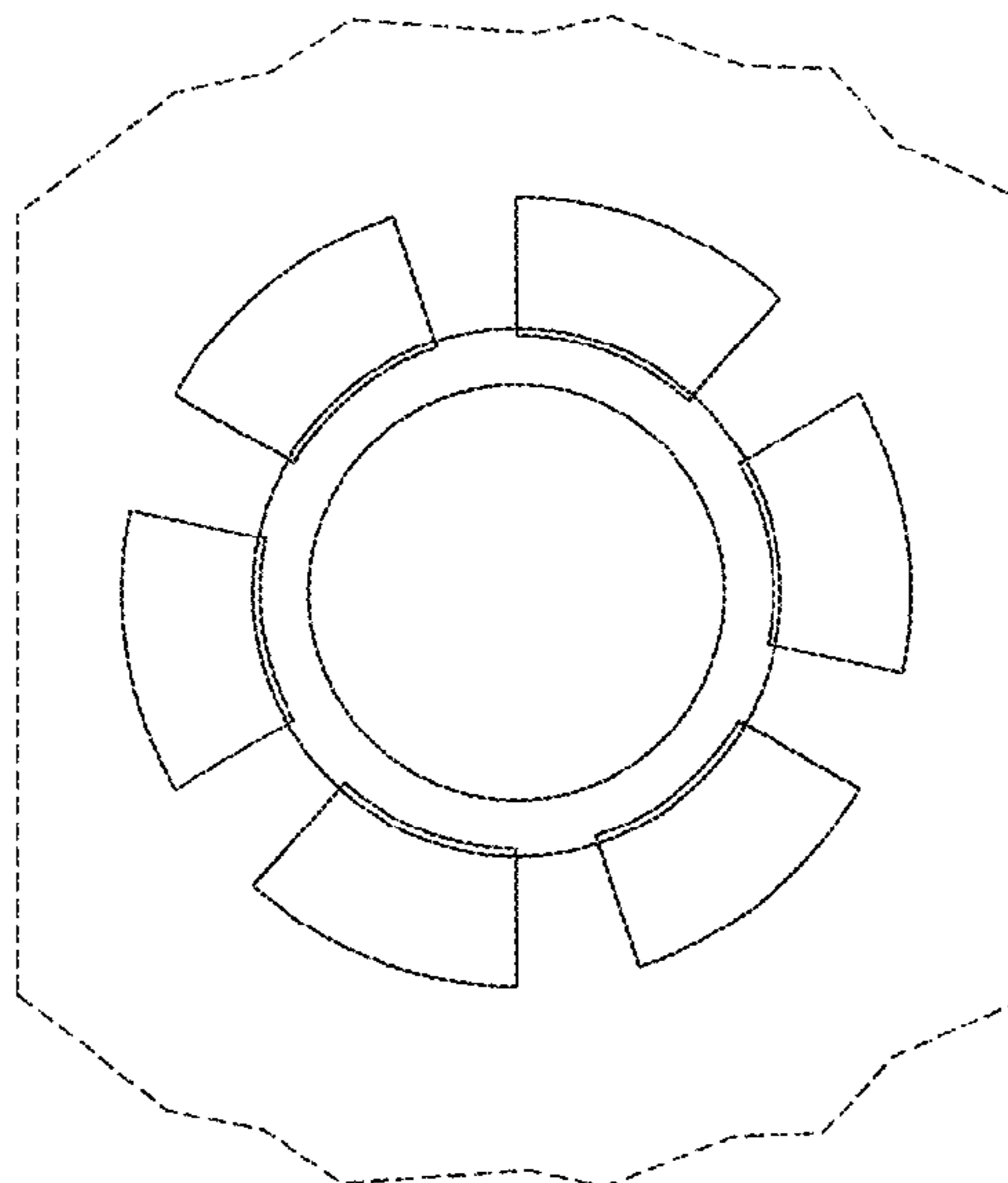
FIG. 8 is the eighth image thereof; and,

FIG. 9 is the ninth image thereof.

The appearance of the animated user interface sequentially transitions between the images shown in FIGS. 1-9. The process or period between which one image transitions to another forms no part of the claimed design.

The broken line showing the display screen or portion thereof forms no part of the claimed design.

1 Claim, 3 Drawing Sheets



(56)

References Cited

U.S. PATENT DOCUMENTS

D738,389 S *	9/2015	Drozd	D14/485
D738,909 S *	9/2015	Herold	D14/488
D740,300 S *	10/2015	Lee	D14/485
D740,301 S *	10/2015	Soegiono	D14/485
D741,898 S *	10/2015	Soegiono	D14/488
D742,910 S *	11/2015	Drozd	D14/485
D744,535 S *	12/2015	Shin	D14/489
D750,650 S *	3/2016	Lee	D14/486
2014/0380219 A1 *	12/2014	Cartan	G06F 3/04842 715/771

* cited by examiner

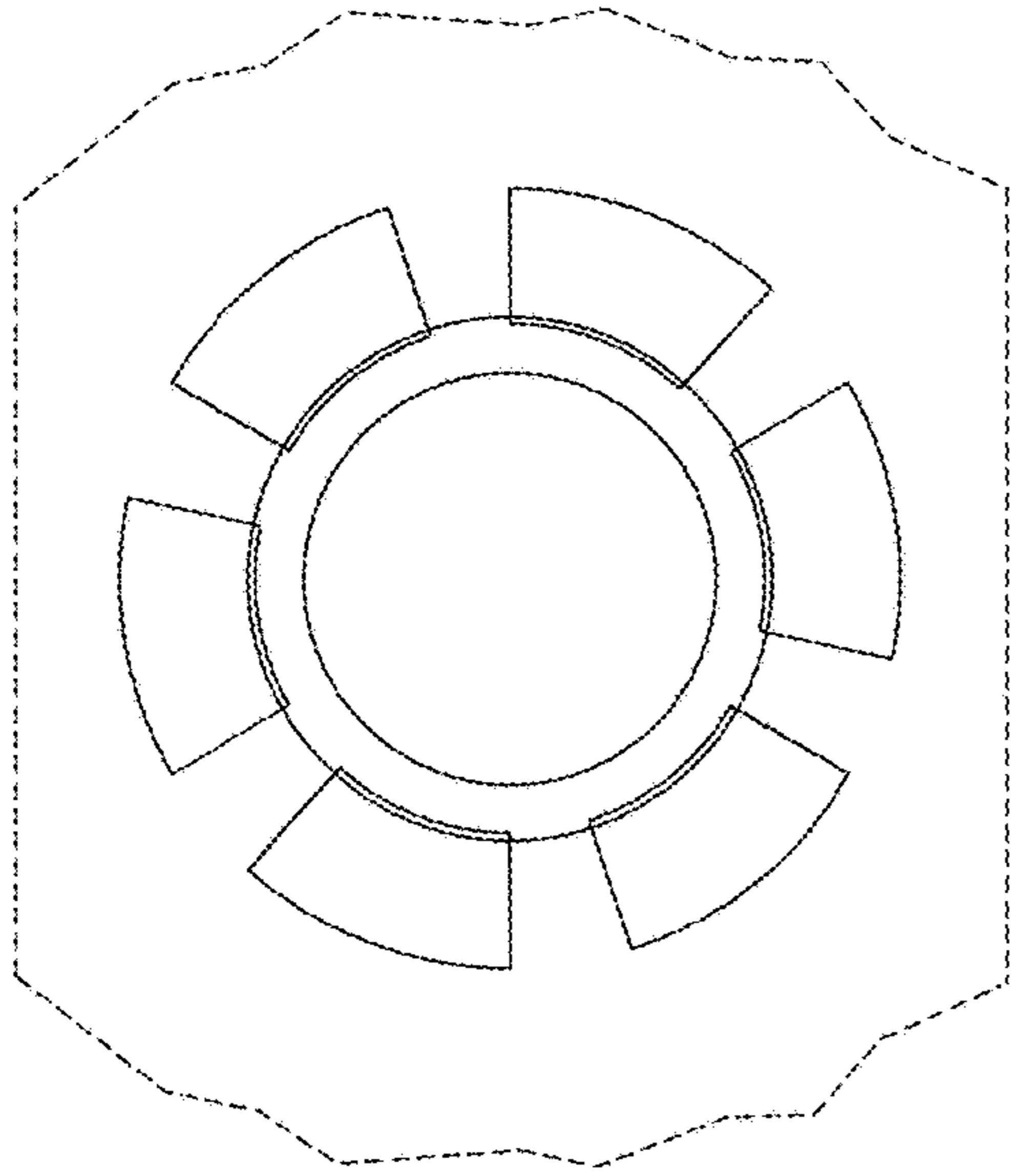


FIG. 1

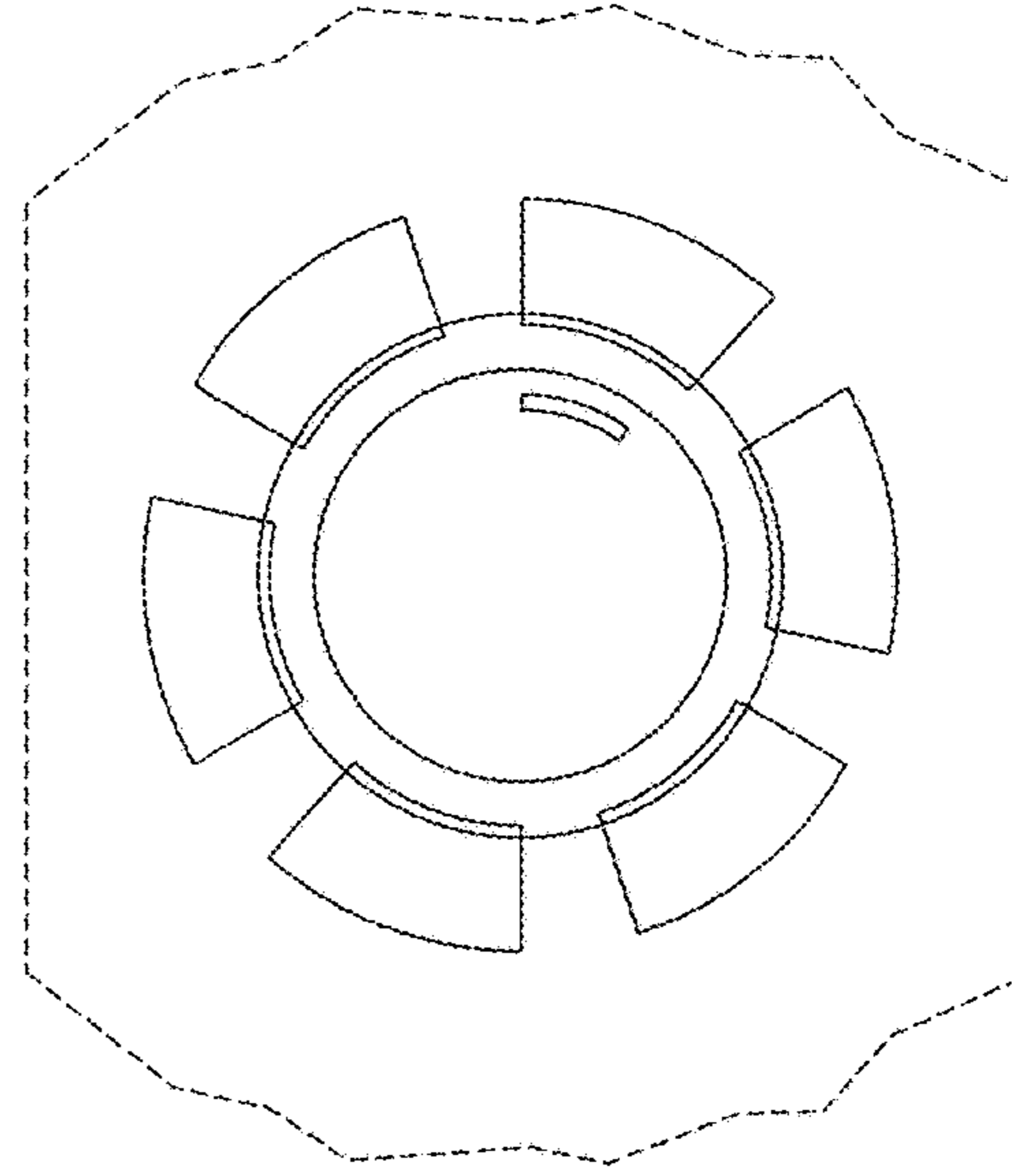


FIG. 2

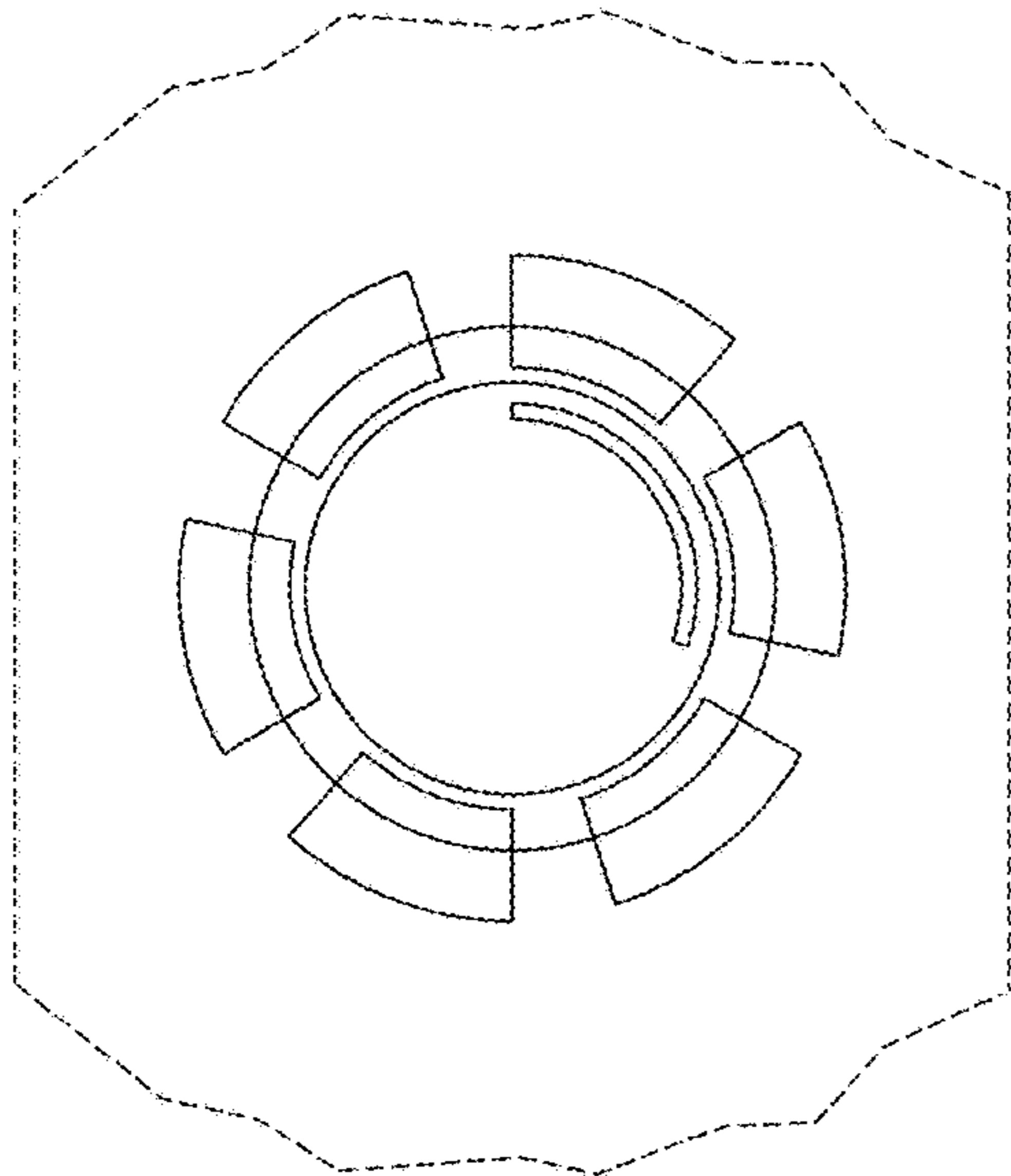


FIG. 3

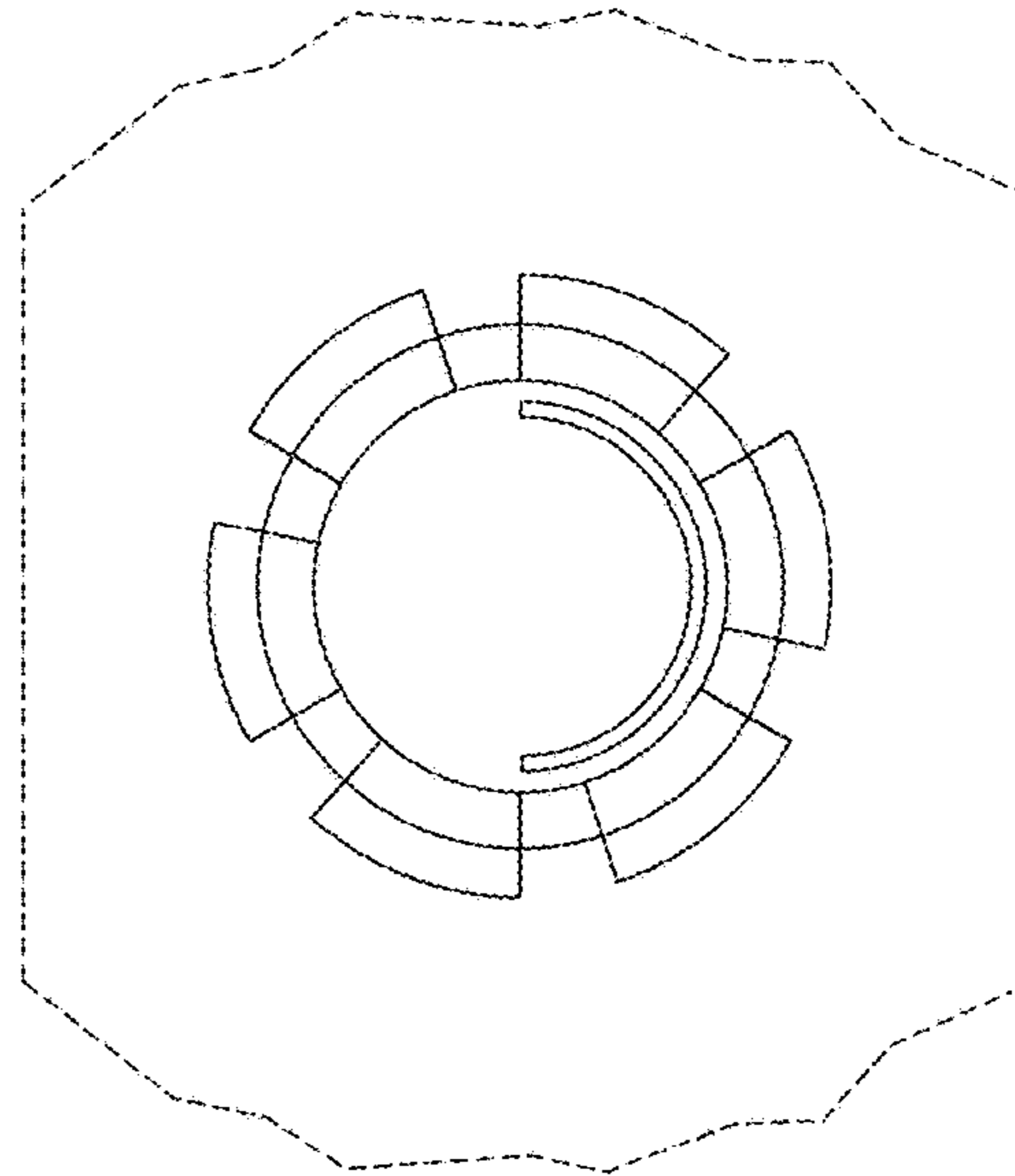


FIG. 4

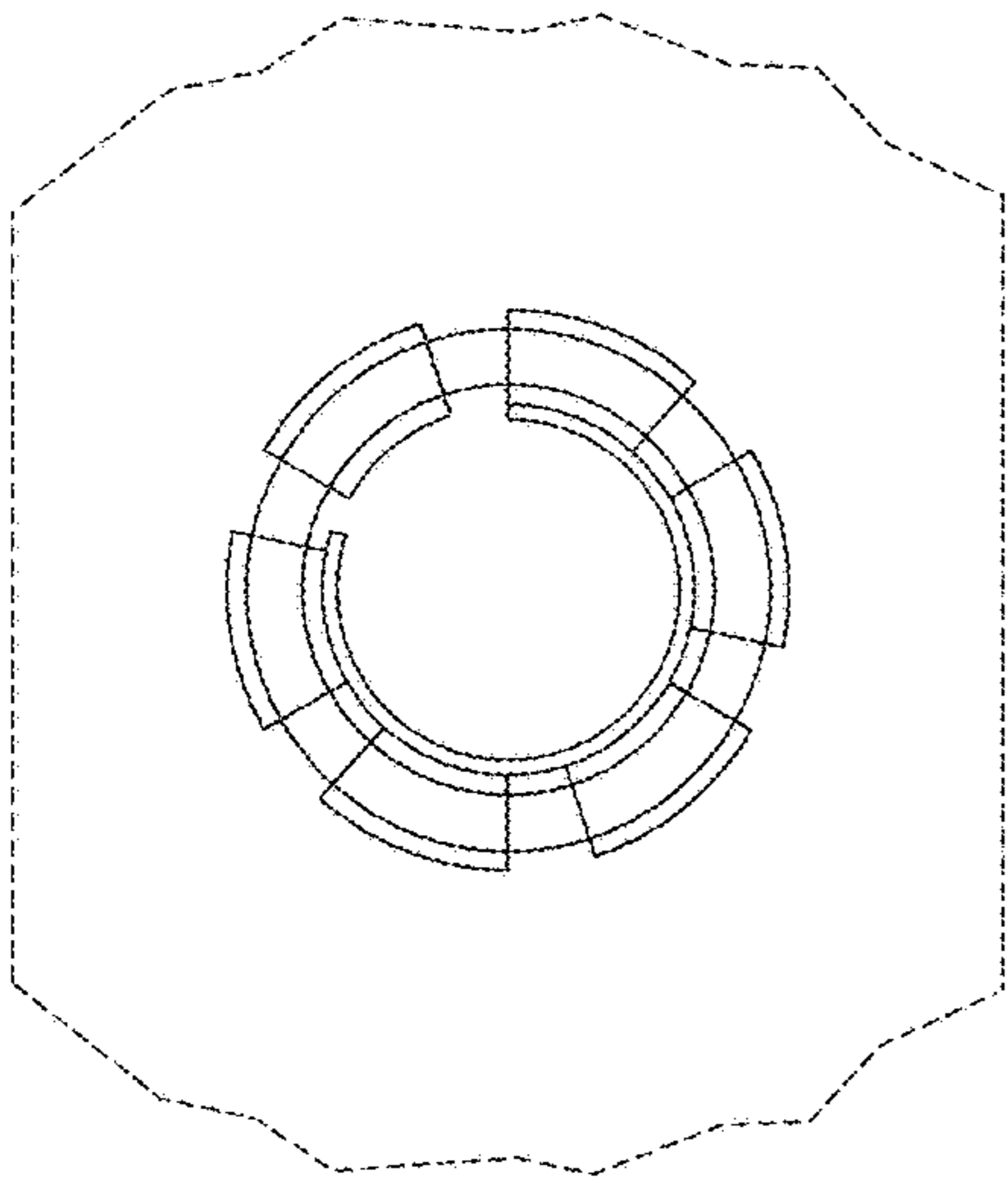


FIG. 5

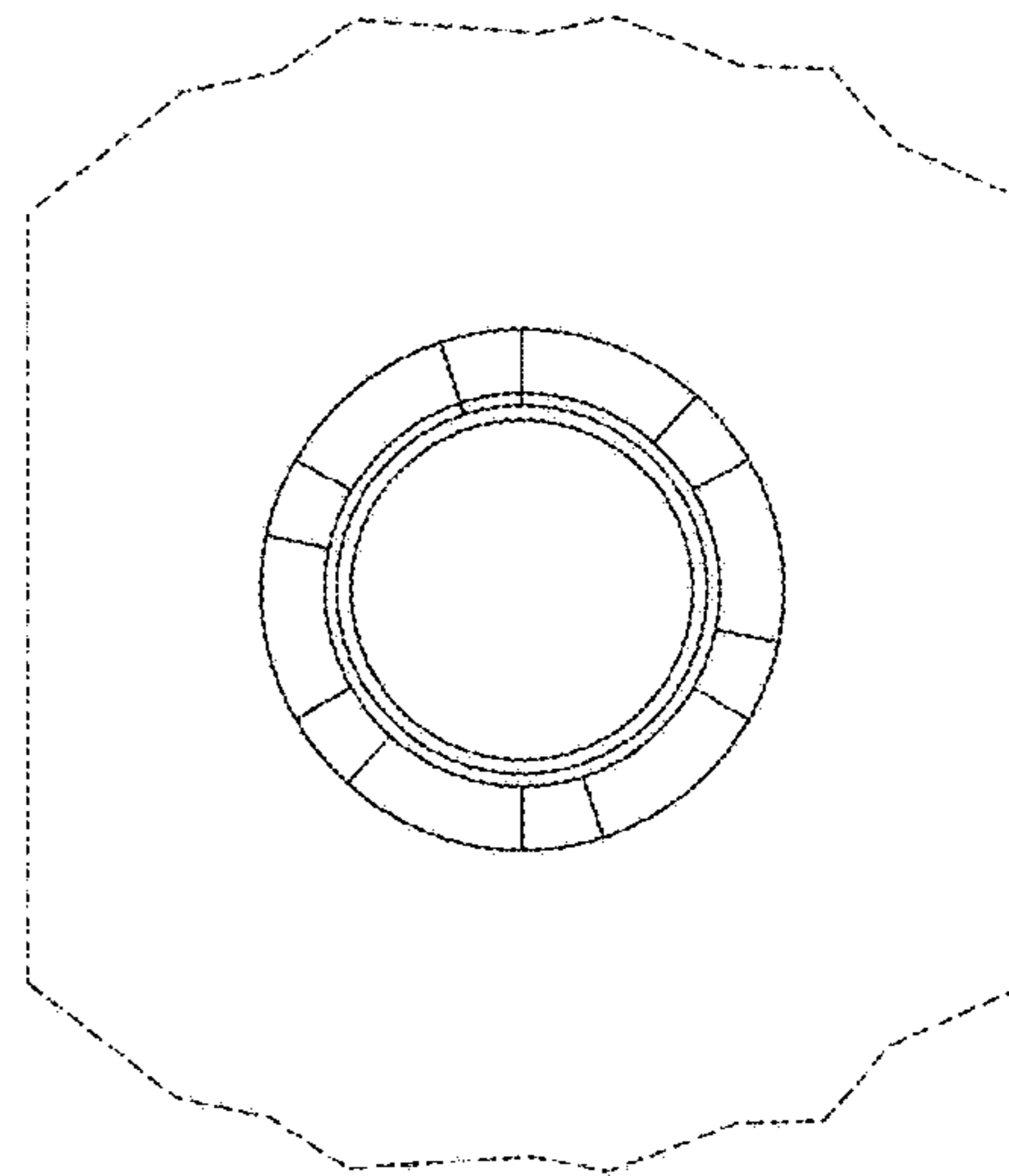


FIG. 6

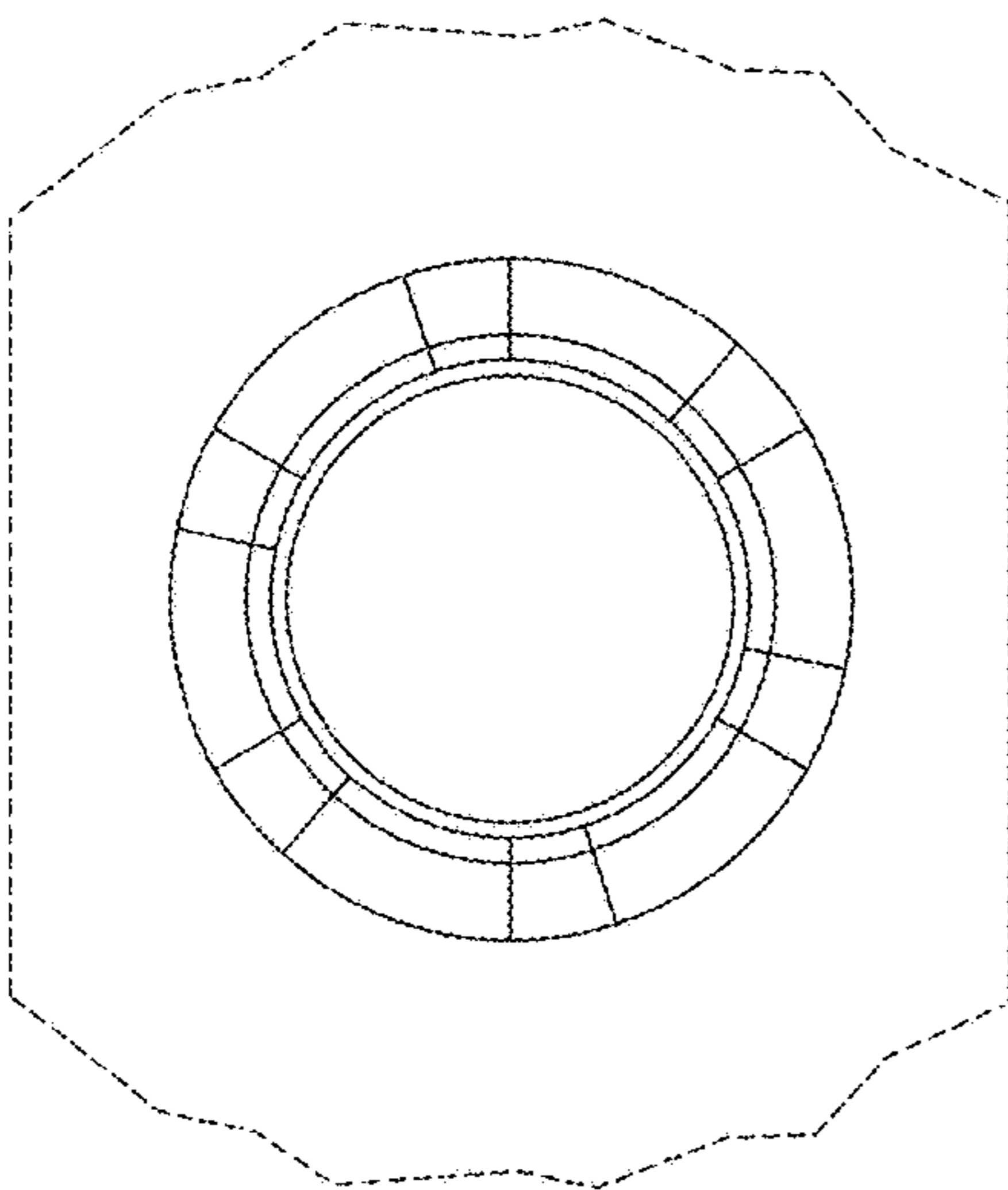


FIG. 7

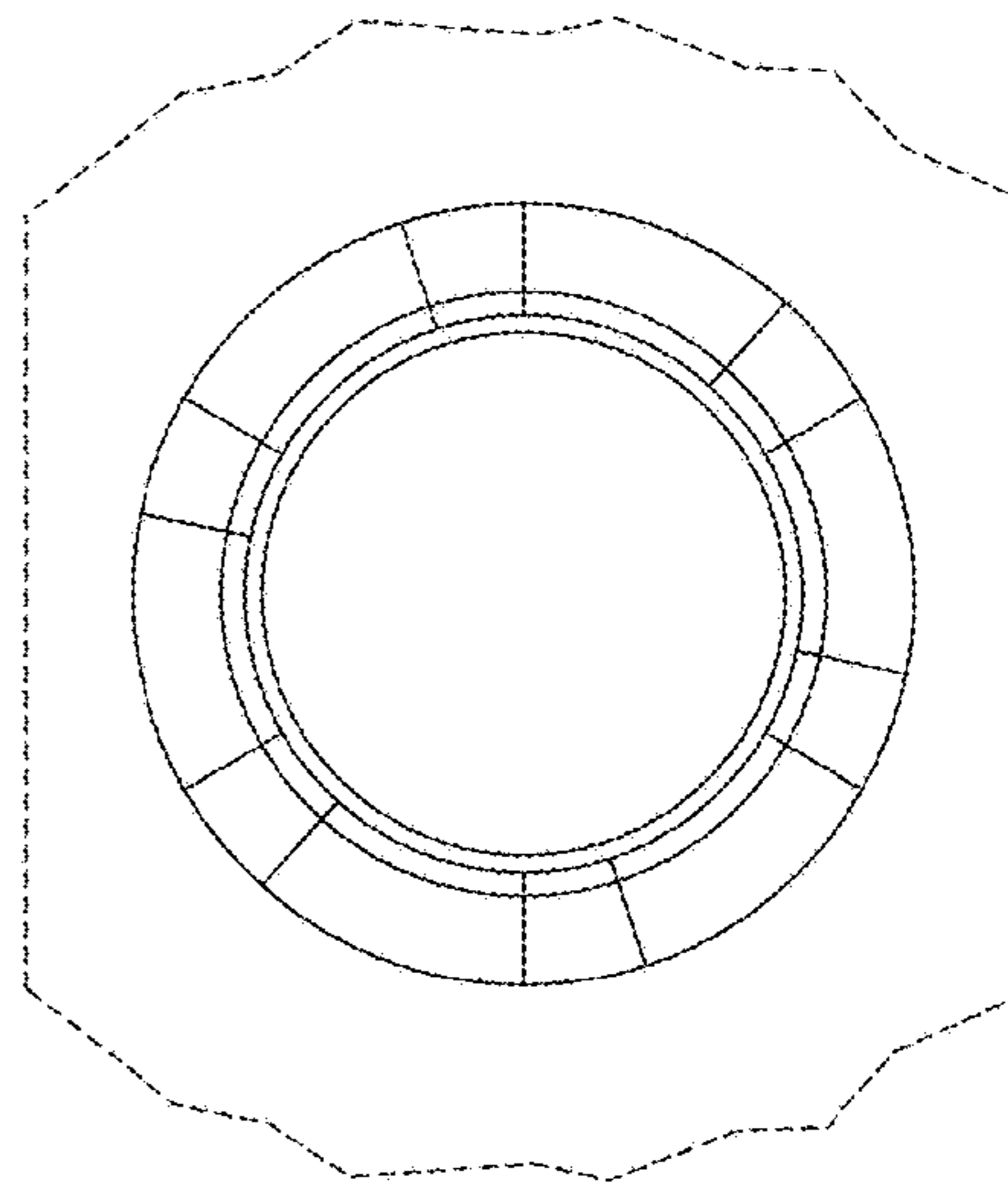


FIG. 8

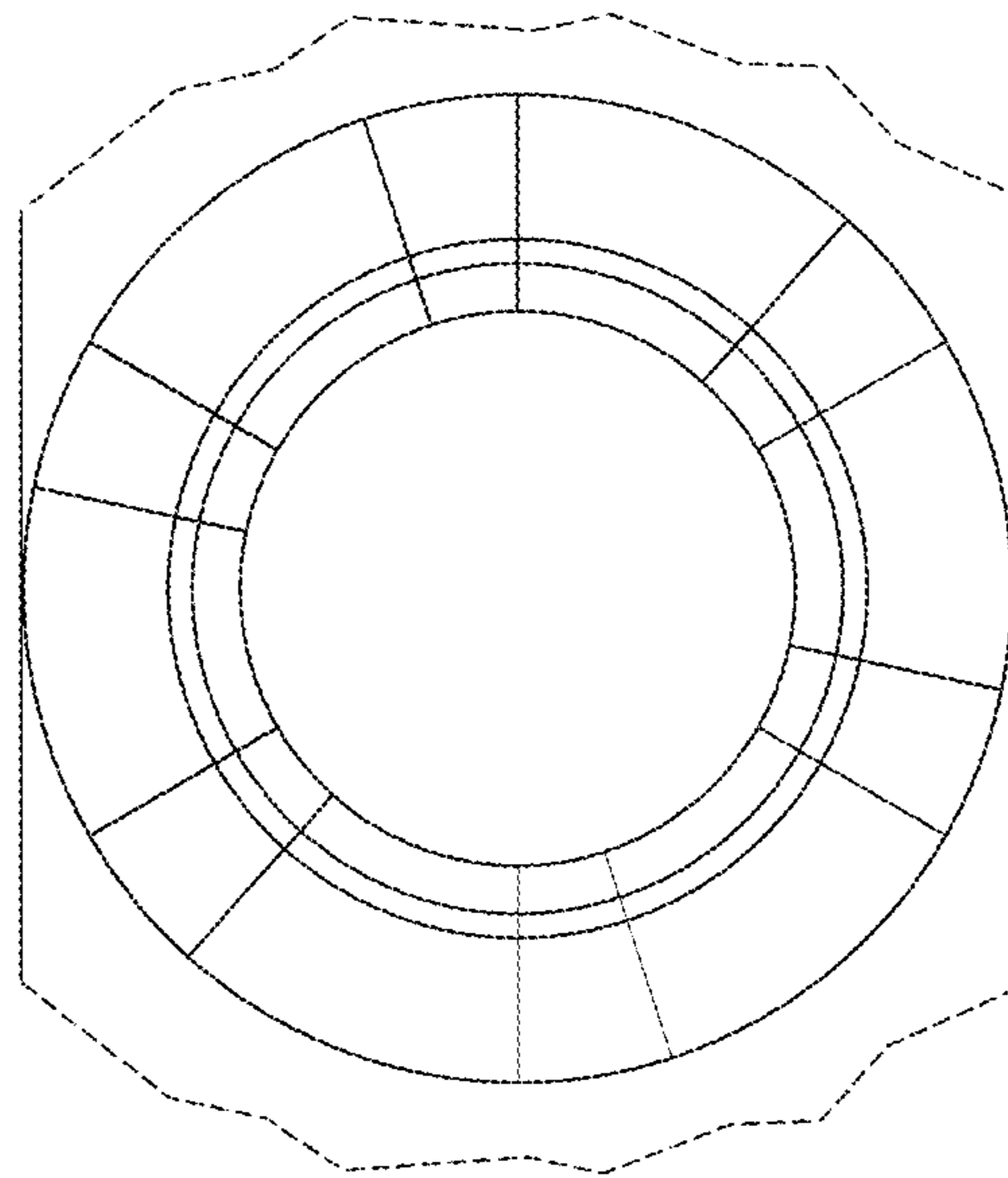


FIG. 9