



US00D783669S

(12) **United States Design Patent** (10) **Patent No.:** **US D783,669 S**
Rogers et al. (45) **Date of Patent:** **** Apr. 11, 2017**

(54) **DISPLAY PANEL OR PORTION THEREOF WITH AN ANIMATED GRAPHICAL USER INTERFACE**

(71) Applicant: **SNAP-ON, Incorporated**, Conway, AR (US)

(72) Inventors: **Steven W. Rogers**, Conway, AR (US); **Rajani K. Pulapa**, Little Rock, AR (US); **Adam C. Brown**, Maumelle, AR (US)

(73) Assignee: **SNAP-ON INCORPORATED**, Kenosha, WI (US)

(**) Term: **15 Years**

(21) Appl. No.: **29/541,257**

(22) Filed: **Oct. 1, 2015**

(51) **LOC (10) Cl.** **14-04**

(52) **U.S. Cl.**
USPC **D14/488; D14/491**

(58) **Field of Classification Search**
USPC D14/485-95; D18/24-33; D19/6, 52; D20/11; D21/324-33; 715/700-867, 715/973-77

(Continued)

(56) **References Cited**

U.S. PATENT DOCUMENTS

D475,064 S * 5/2003 Nashida D14/489
D495,338 S * 8/2004 Peter D14/486

(Continued)

OTHER PUBLICATIONS

Trademark applications: 73436511, 77706803, 85061393.*

Primary Examiner — Melanie H Tung

(74) *Attorney, Agent, or Firm* — Miles & Stockbridge P.C.; Michael A. Messina

(57) **CLAIM**

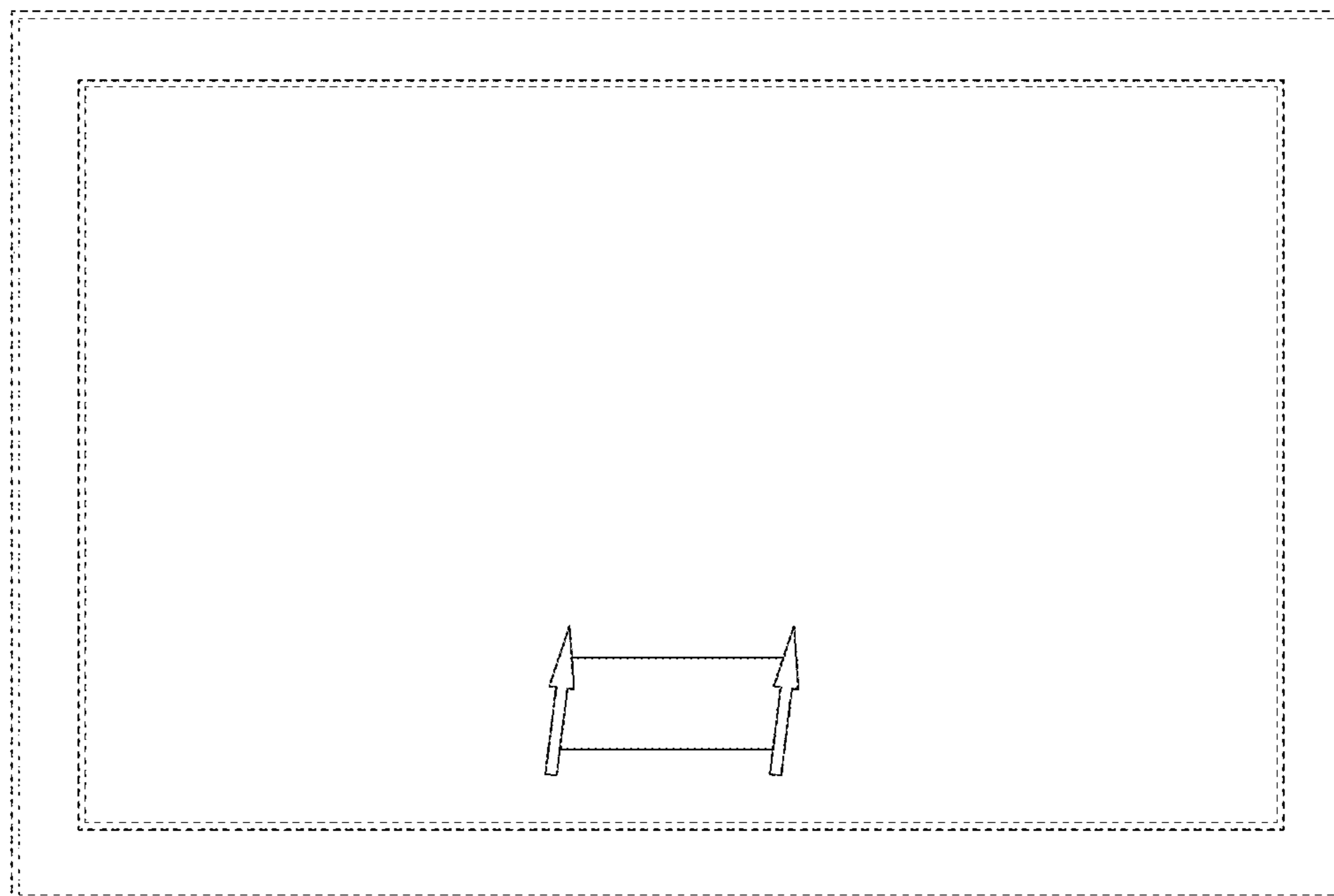
The ornamental design for an display panel or portion thereof with an animated graphical user interface, as shown and described.

DESCRIPTION

FIG. 1 is a front view of a first image of an display panel or portion thereof with an animated graphical user interface; FIG. 2 is a front view of a second image thereof; FIG. 3 is a front view of a third image thereof; FIG. 4 is a front view of a fourth image thereof; FIG. 5 is a front view of a fifth image thereof; FIG. 6 is a front view of a sixth image thereof; FIG. 7 is a front view of a seventh image thereof; FIG. 8 is a front view of a eighth image thereof; FIG. 9 is a front view of a ninth image thereof; FIG. 10 is a rear view of the display panel of FIG. 1; FIG. 11 is a side view of the display panel; FIG. 12 is another side view of the display panel; FIG. 13 is a top view of the display panel; and, FIG. 14 is a bottom view of the display panel.

The broken lines in the drawings showing the display panel or portion thereof form no part of the claimed design. The appearance of the image transitions sequentially between the images shown in FIGS. 1-9. The process or period in which an image transitions to another forms no part of the claimed design.

1 Claim, 12 Drawing Sheets



(58) **Field of Classification Search**

CPC G06F 3/04897

See application file for complete search history.

(56) **References Cited**

U.S. PATENT DOCUMENTS

D544,871	S	*	6/2007	Lim	D14/485
D547,322	S	*	7/2007	Ivanov	D14/489
D611,493	S	*	3/2010	Willis	D14/491
D650,794	S	*	12/2011	Pereira	D14/491
D662,513	S	*	6/2012	Steele	D14/491
D728,620	S	*	5/2015	Myung	D14/491
D743,439	S	*	11/2015	Torres	D14/492
D745,552	S	*	12/2015	Jung	D14/489
D748,134	S	*	1/2016	Damir	D14/486
D749,636	S	*	2/2016	Ma	D14/491
D751,575	S	*	3/2016	Kim	D14/485
D751,576	S	*	3/2016	Kim	D14/485
D760,781	S	*	7/2016	Nakamura	D14/491
2002/0191029	A1	*	12/2002	Gillespie	G06F 3/0488 715/810

* cited by examiner

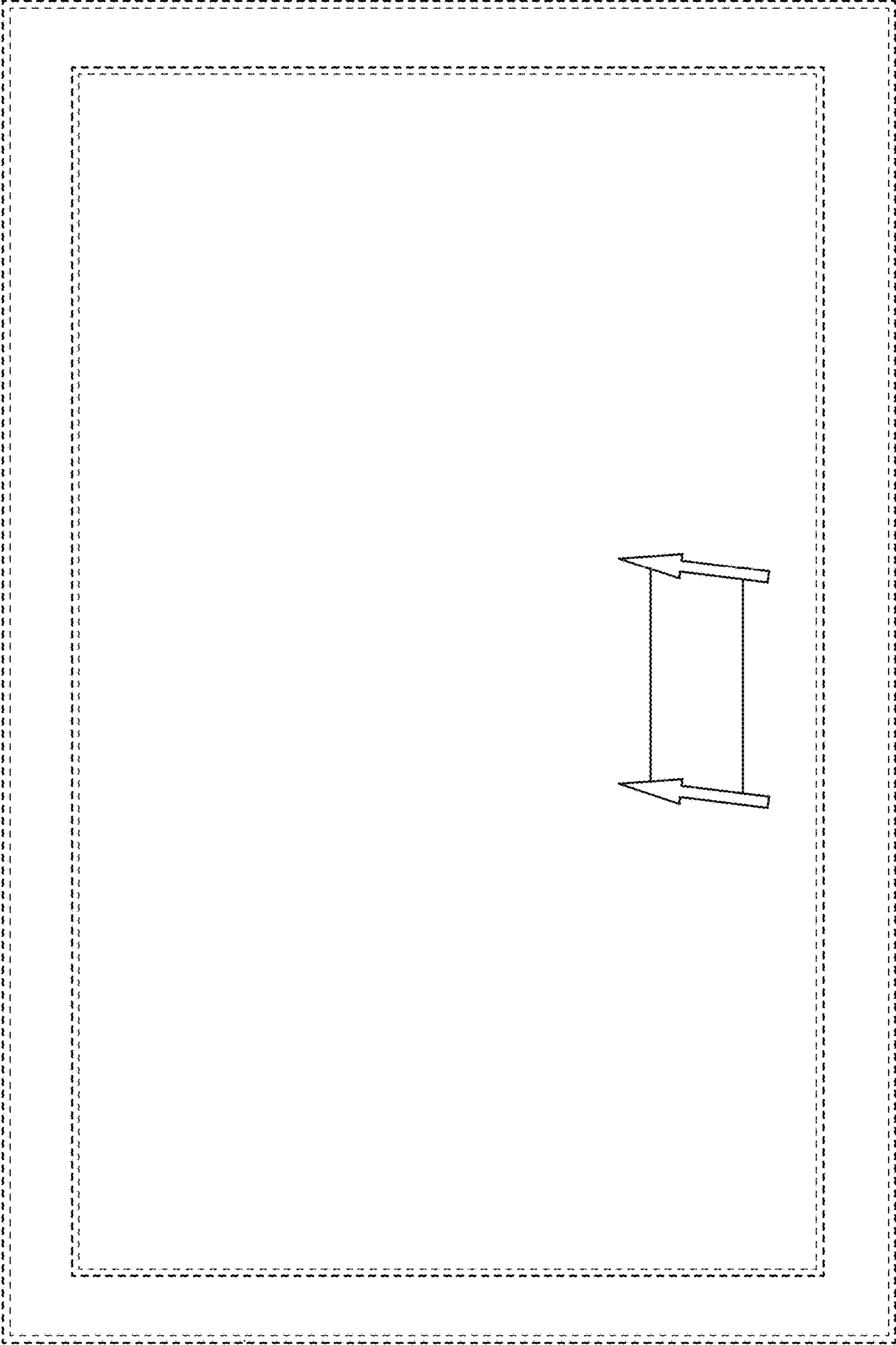


FIG. 1

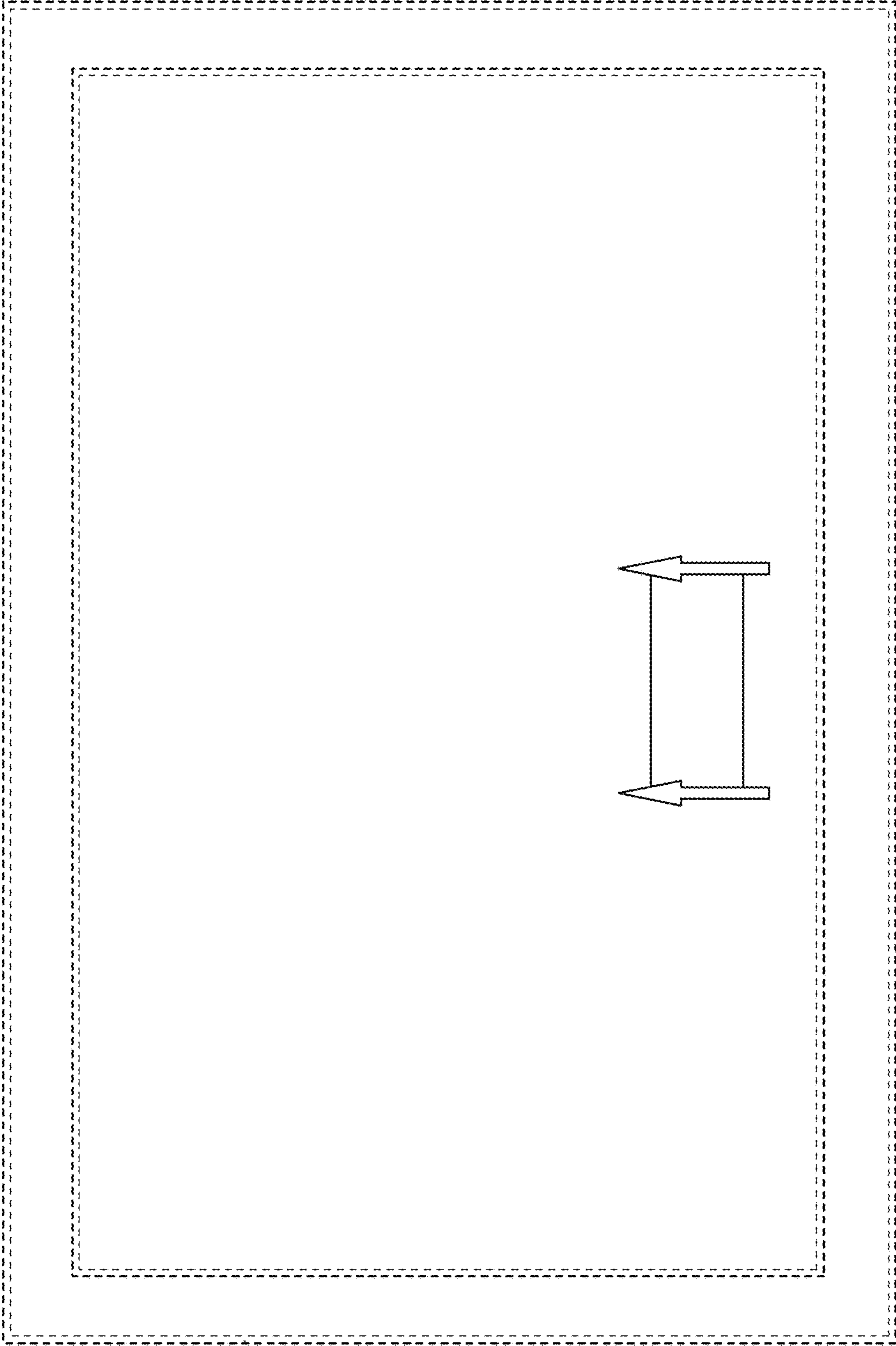


FIG. 2

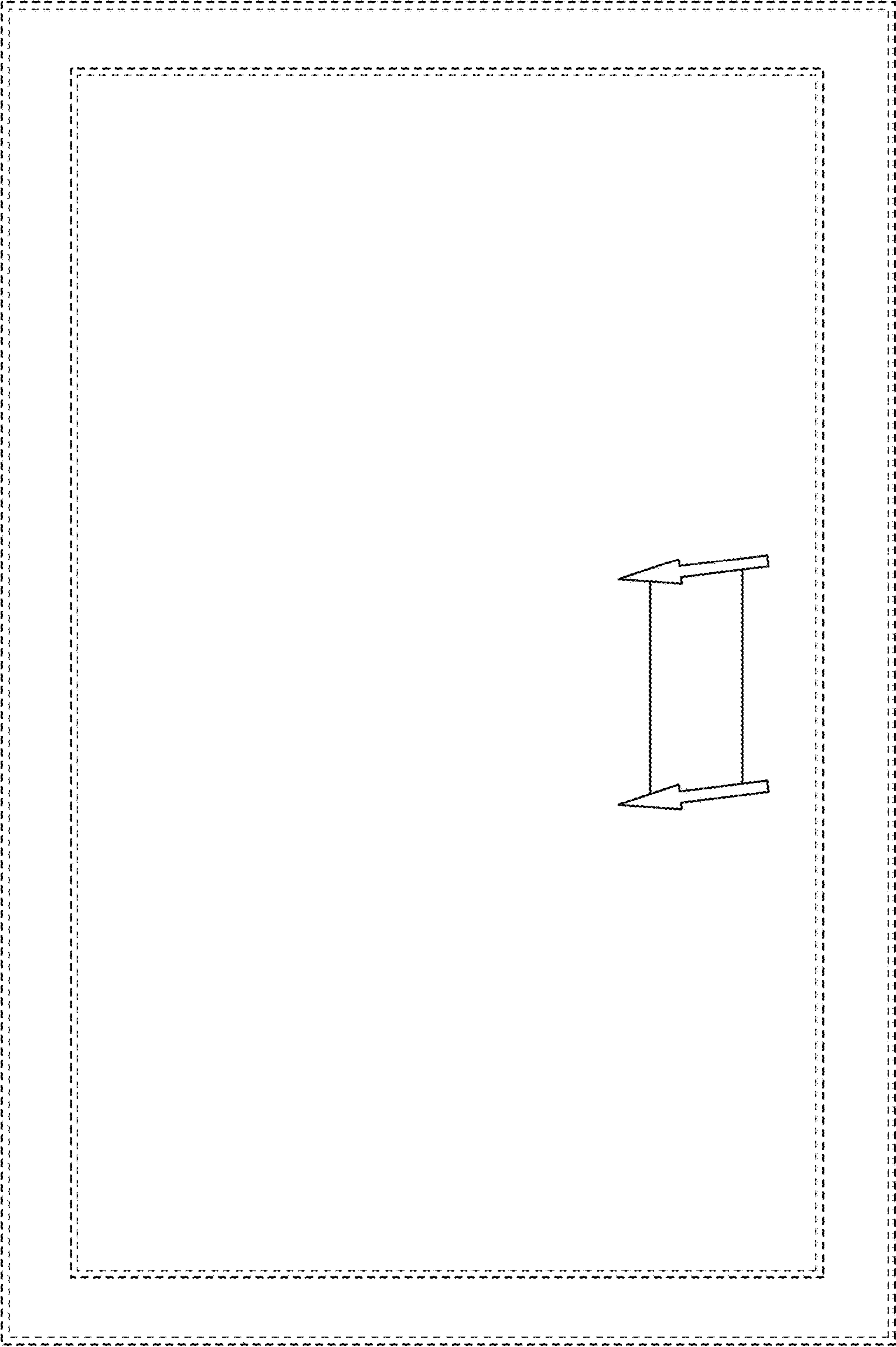


FIG. 3

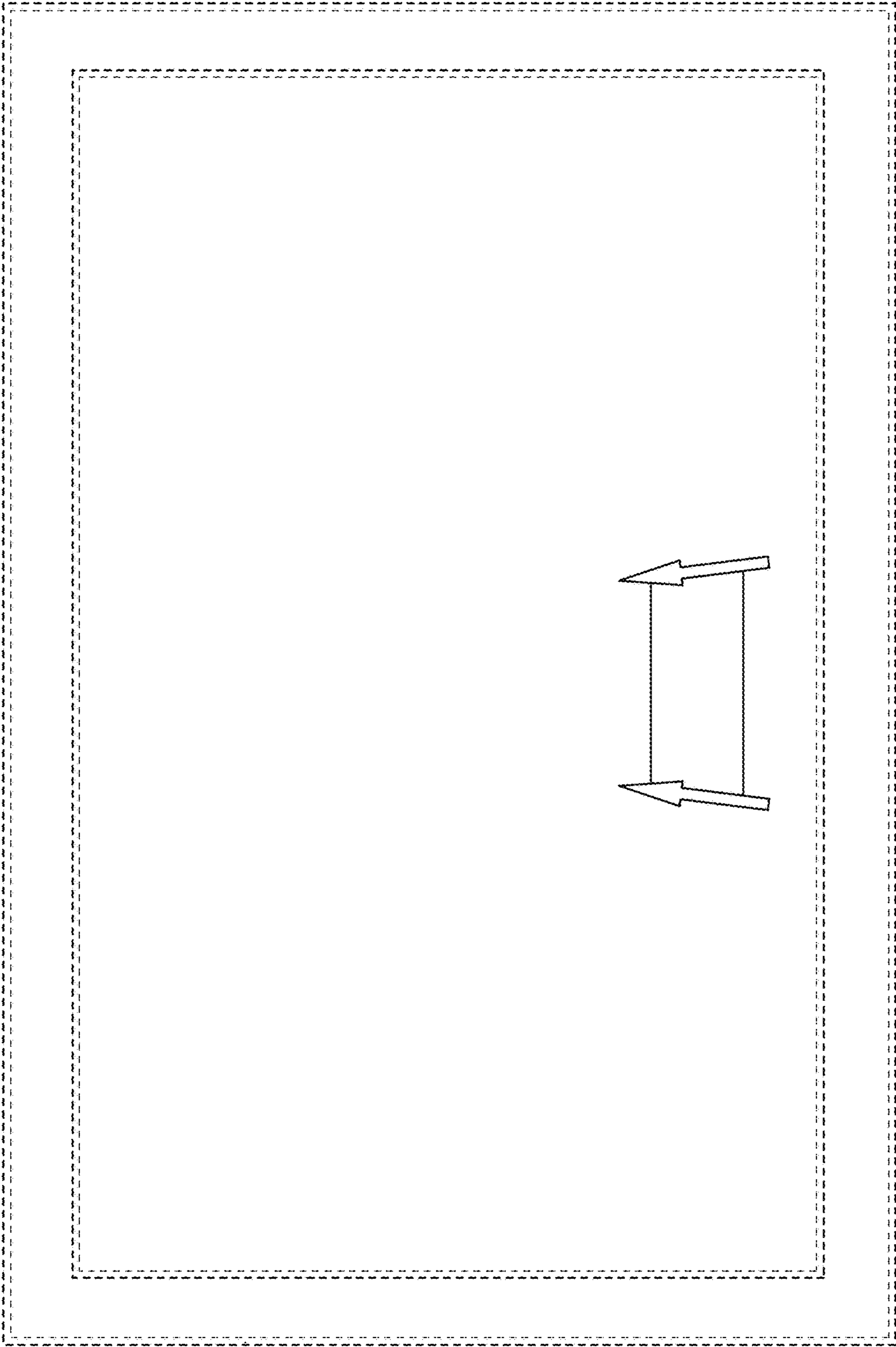


FIG. 4

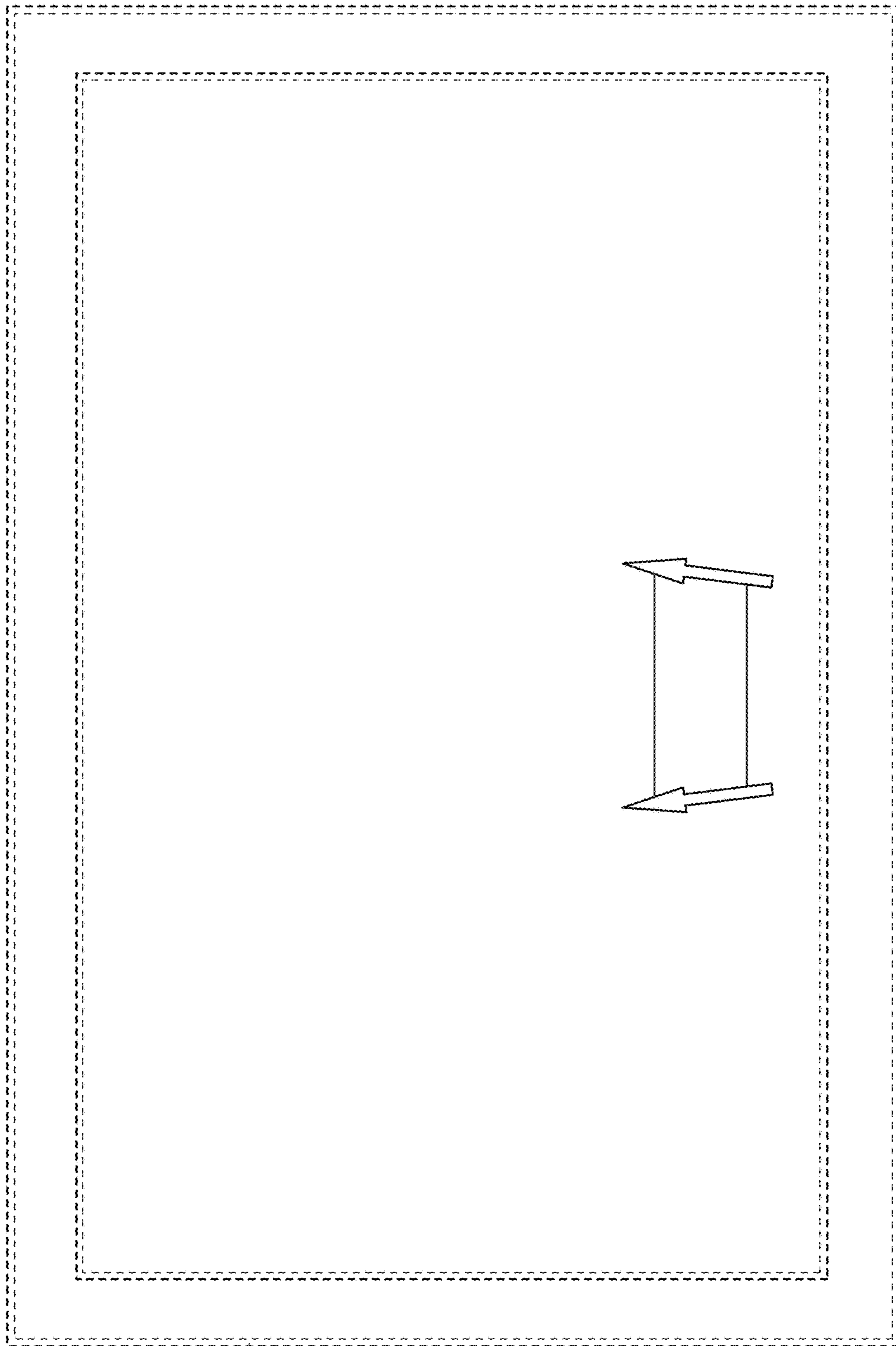


FIG. 5

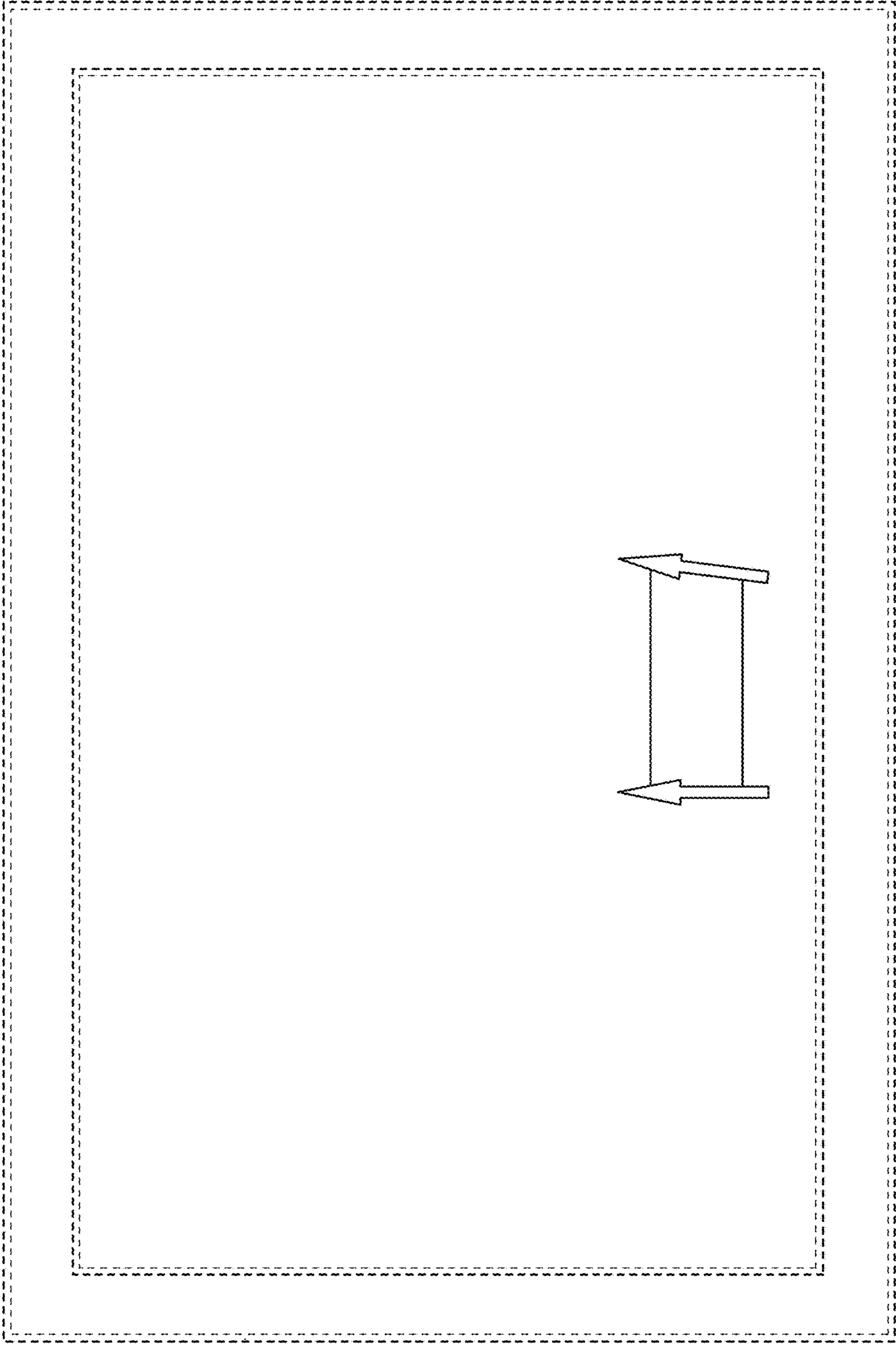


FIG. 6

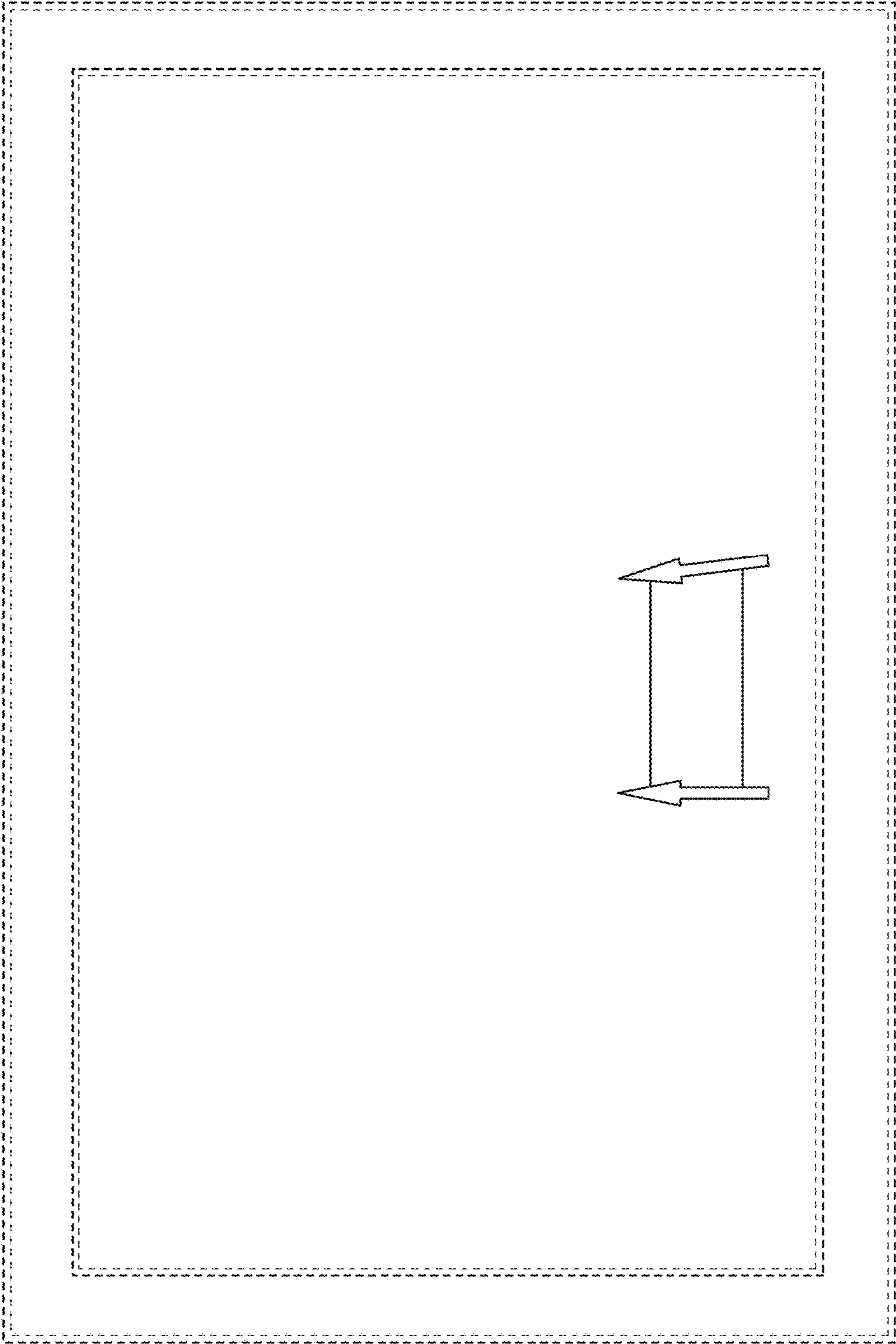


FIG. 7

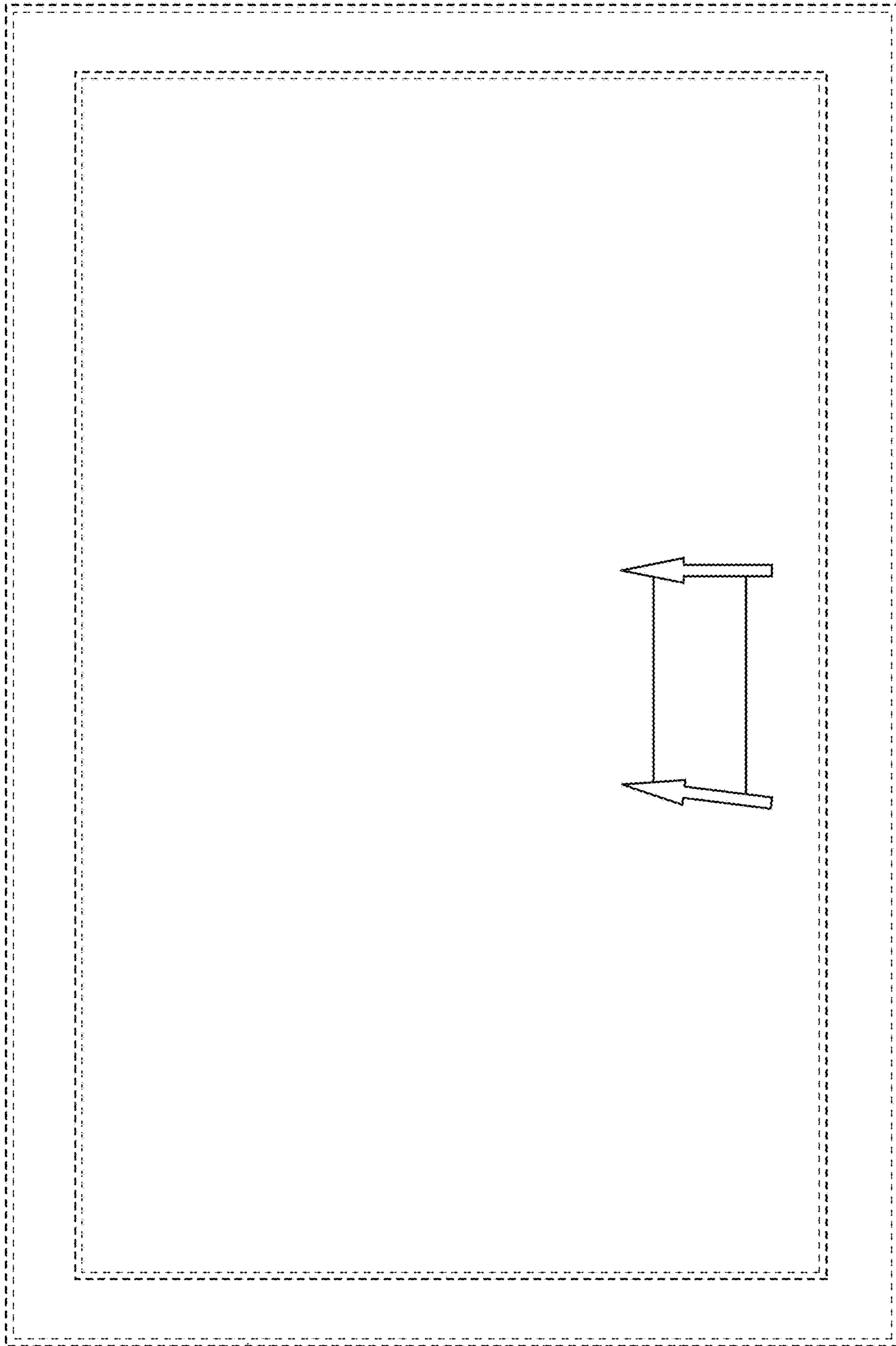


FIG. 8

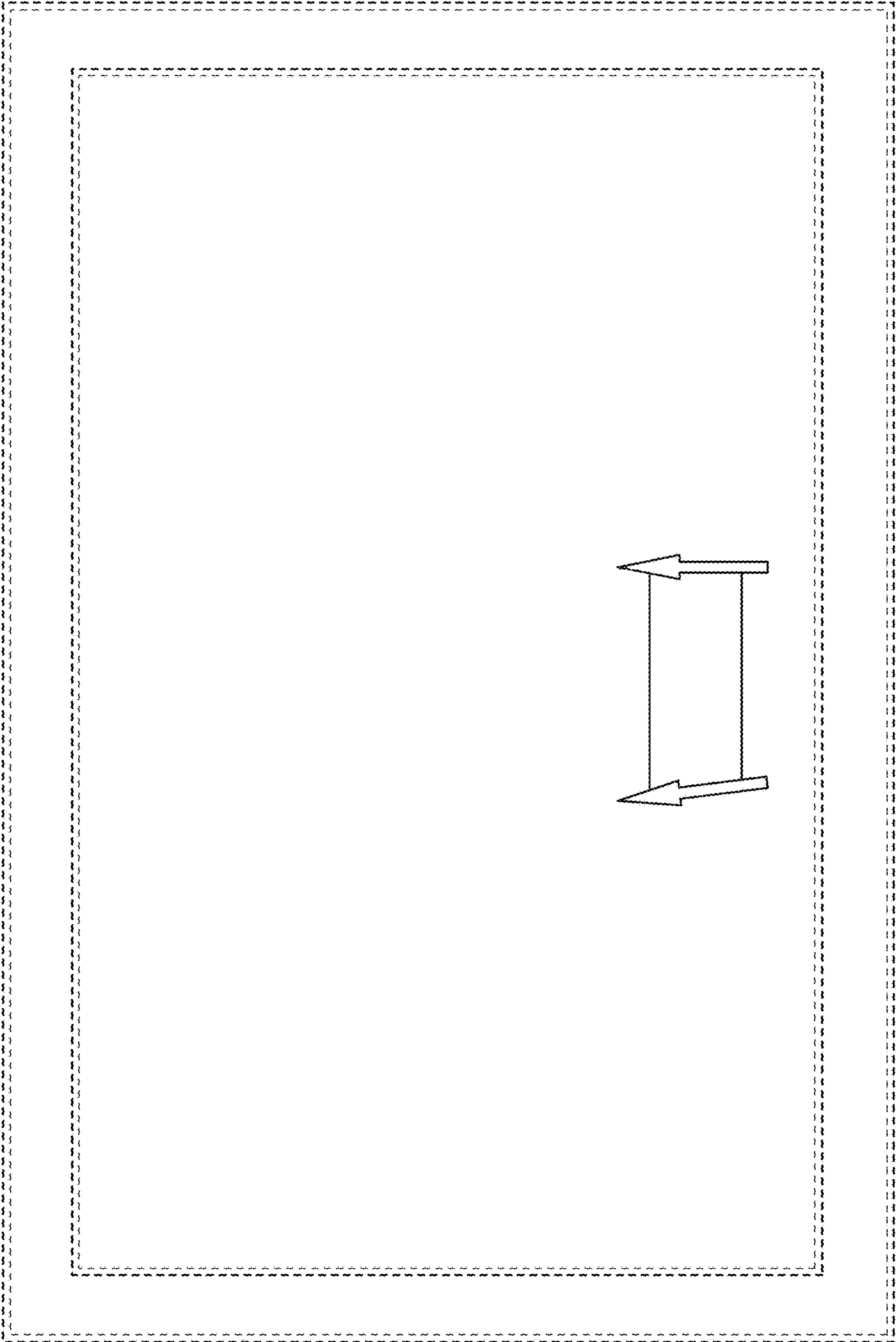


FIG. 9

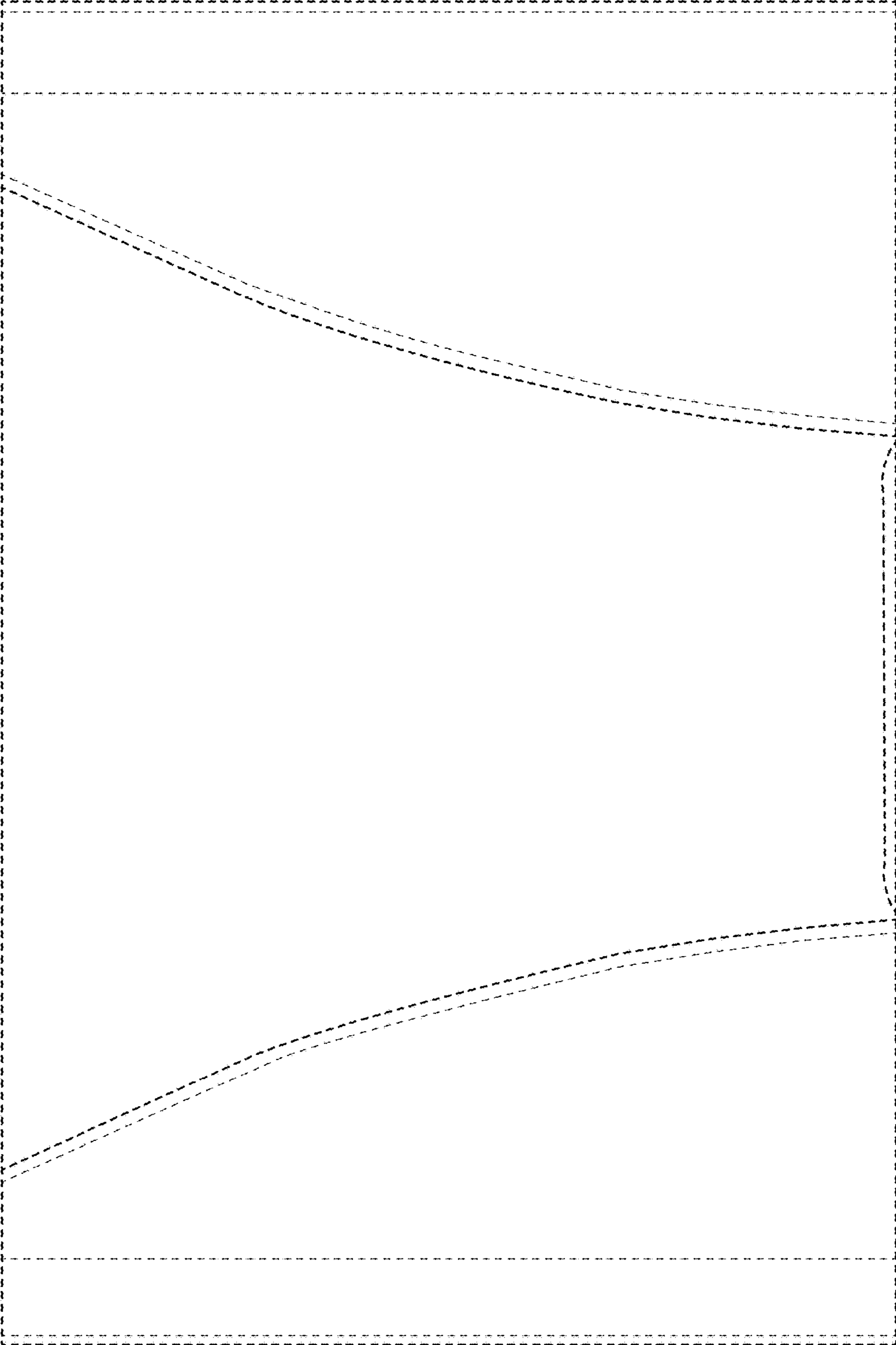


FIG. 10

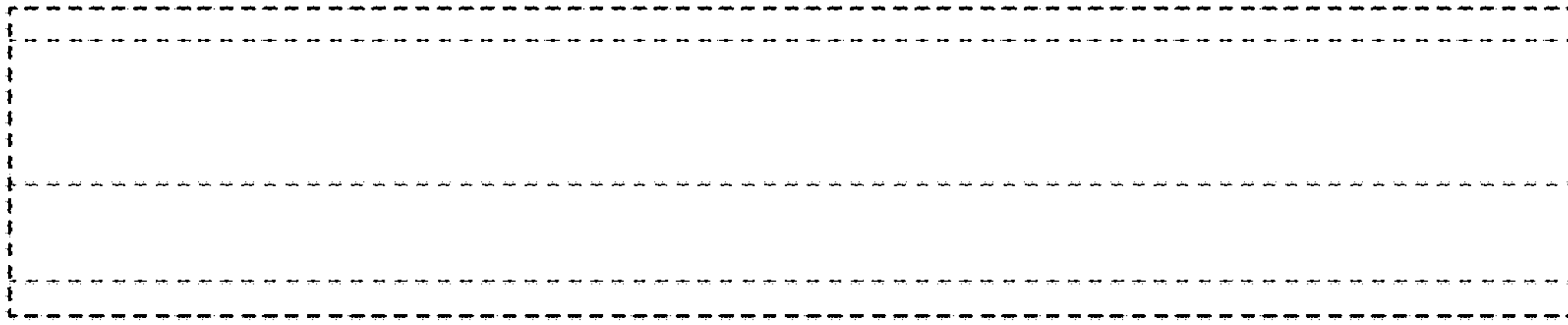


FIG. 12

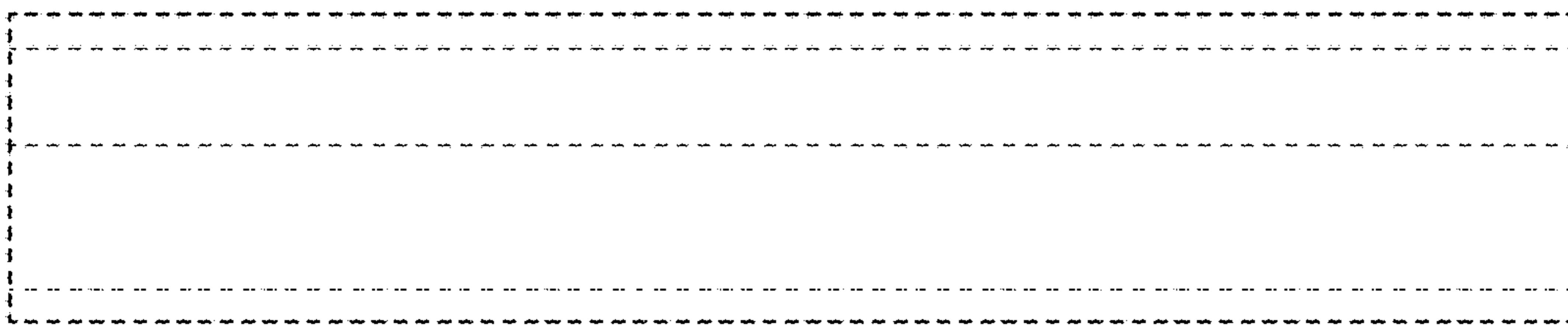


FIG. 11

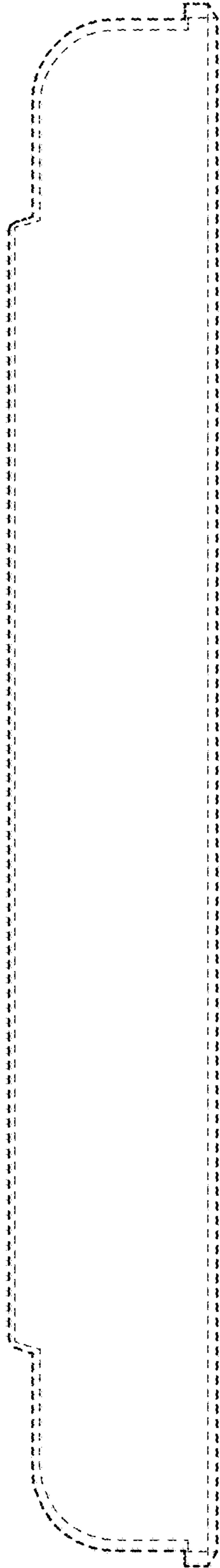


FIG. 13

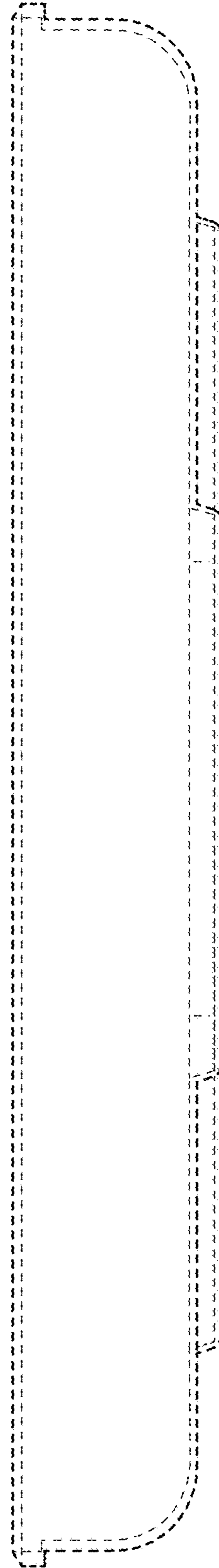


FIG. 14