



US00D783628S

(12) **United States Design Patent**
Pitteri

(10) **Patent No.:** **US D783,628 S**

(45) **Date of Patent:** **** Apr. 11, 2017**

(54) **PORTABLE STANDS FOR LAPTOP
COMPUTER**

(71) Applicant: **Silvio Pitteri**, Brussels (BE)

(72) Inventor: **Silvio Pitteri**, Brussels (BE)

(**) Term: **15 Years**

(21) Appl. No.: **29/565,529**

(22) Filed: **May 20, 2016**

Related U.S. Application Data

(62) Division of application No. 29/476,817, filed on Dec. 17, 2013, now Pat. No. Des. 757,019.

(30) **Foreign Application Priority Data**

Jun. 20, 2013 (EM) 002259333

(51) **LOC (10) Cl.** **08-07**

(52) **U.S. Cl.**
USPC **D14/447**

(58) **Field of Classification Search**
USPC D14/447, 432, 434, 439, 440, 451, 452,
D14/457, 239; D8/363, 373, 380;
D6/406.3, 406.4, 406.5, 406.6; D12/415
CPC A47B 21/04; A47B 2097/006; A47B
2097/005; A47B 2023/049; A45C
2011/002; A45C 2011/003; F16M
2200/00; F16M 13/00
See application file for complete search history.

(56) **References Cited**

U.S. PATENT DOCUMENTS

D483,767 S * 12/2003 Green D14/447
D486,832 S * 2/2004 Masuda D14/451
D593,104 S * 5/2009 Gillespie D14/239
D600,945 S * 9/2009 Kelsen D14/451

D672,782 S * 12/2012 Gross D14/447
D677,262 S * 3/2013 Lewis D14/447
D689,500 S * 9/2013 Faulk D14/447
D704,195 S * 5/2014 Marquette D14/447
D709,896 S * 7/2014 McKinsty D14/447
D743,385 S * 11/2015 Ann D14/239
D745,872 S * 12/2015 Xiang D14/447
D757,019 S * 5/2016 Pitteri D14/447

(Continued)

Primary Examiner — Angela J Lee

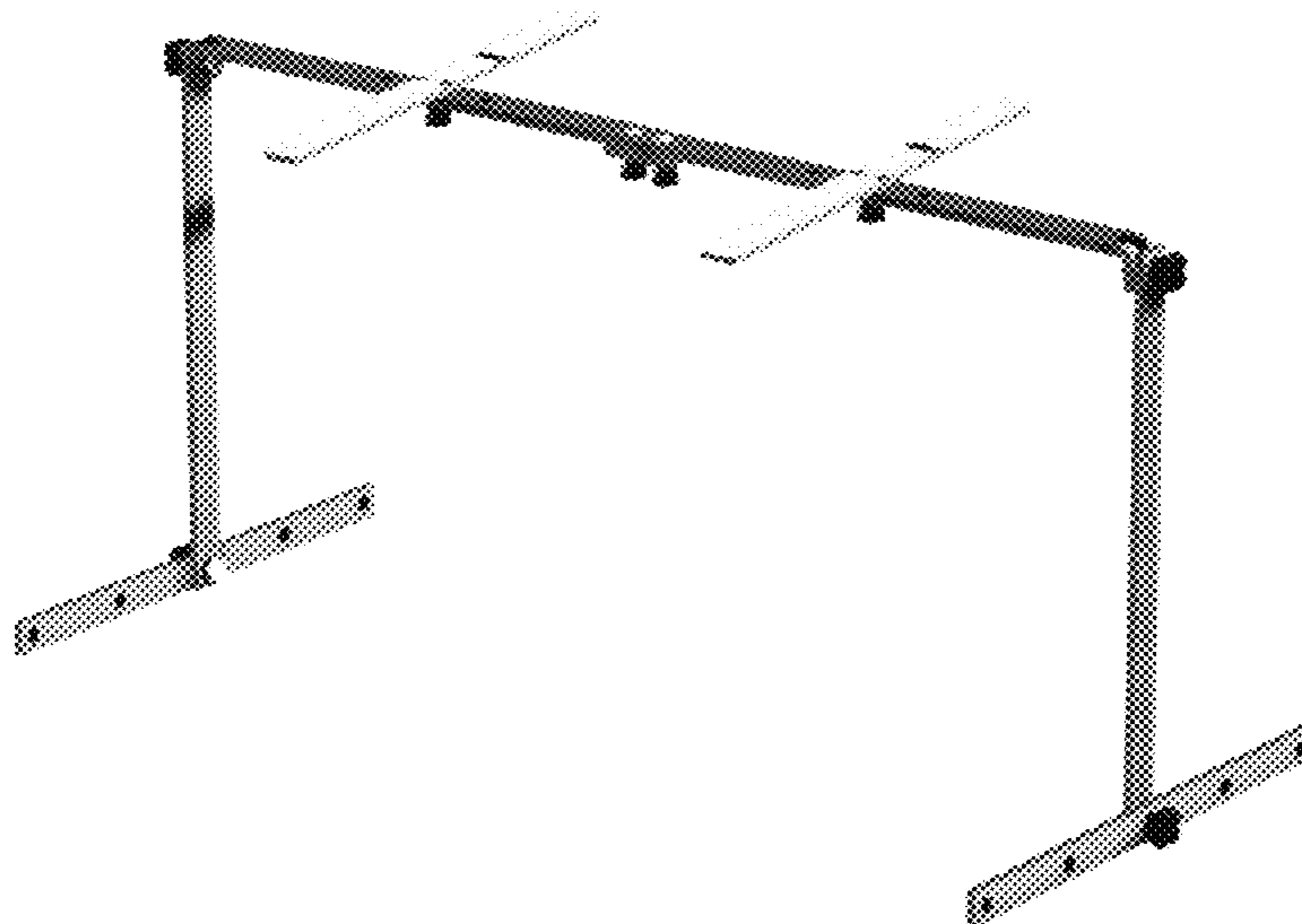
(57) **CLAIM**

The ornamental design for portable stands for laptop computer, as shown and described.

DESCRIPTION

FIG. 1 is a first isometric view of a first embodiment of the new design;
FIG. 2 is a second isometric view of a first embodiment of the new design;
FIG. 3 is a top view of a first embodiment of the new design;
FIG. 4 is a side view of a first embodiment of the new design;
FIG. 5 is a third isometric view showing the first embodiment half folded;
FIG. 6 is a fourth isometric view showing the first embodiment folded;
FIG. 7 is a first isometric view of a second embodiment of the new design;
FIG. 8 is a top view thereof;
FIG. 9 is a side view thereof;
FIG. 10 is a front view of the half folded second embodiment;
FIG. 11 is a rear view of the half folded second embodiment;
and,
FIG. 12 is a second isometric view showing the second embodiment folded.

1 Claim, 6 Drawing Sheets



(56)

References Cited

U.S. PATENT DOCUMENTS

2007/0120034 A1* 5/2007 Sparling A47B 23/00
248/458

* cited by examiner

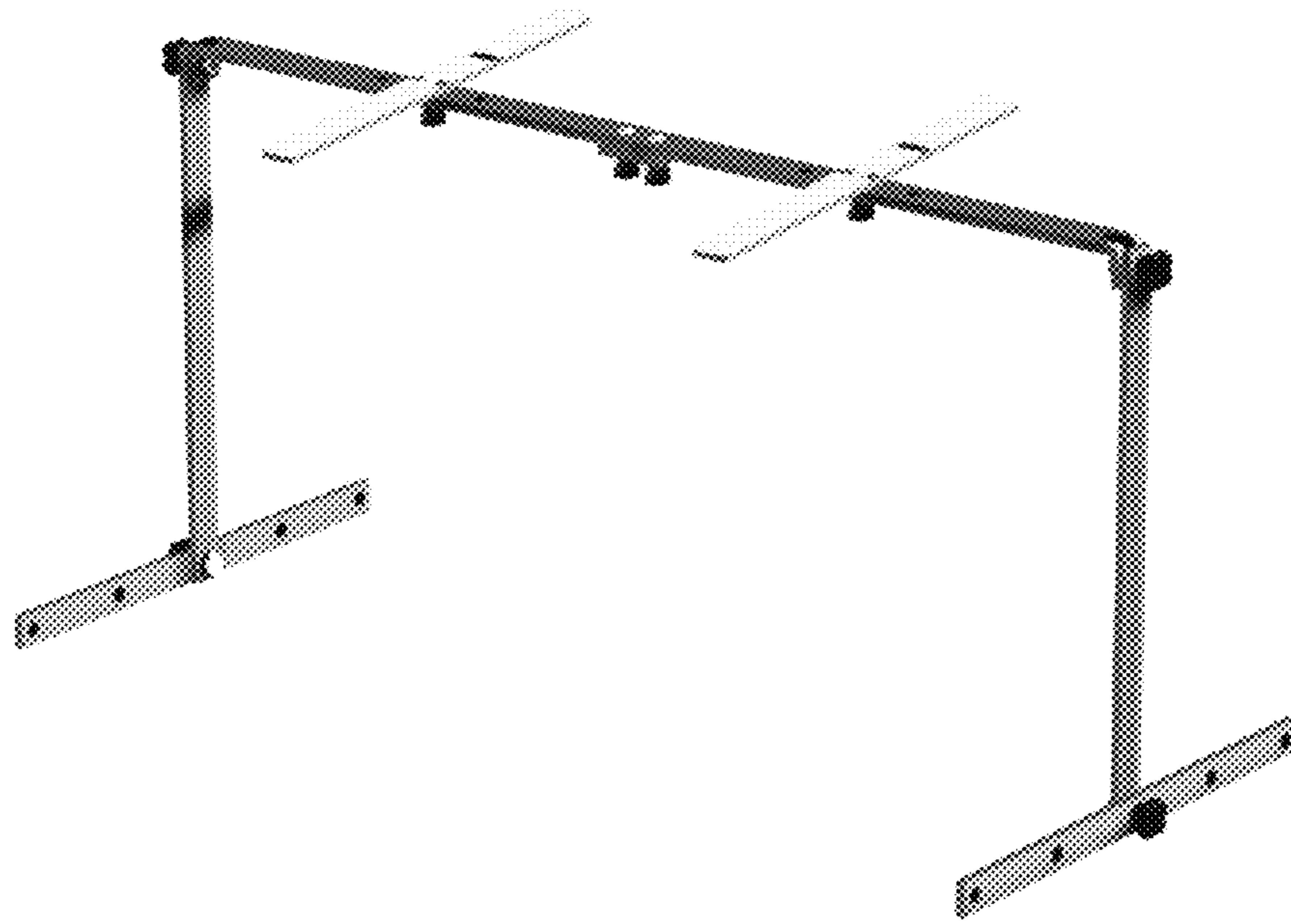


FIG. 1

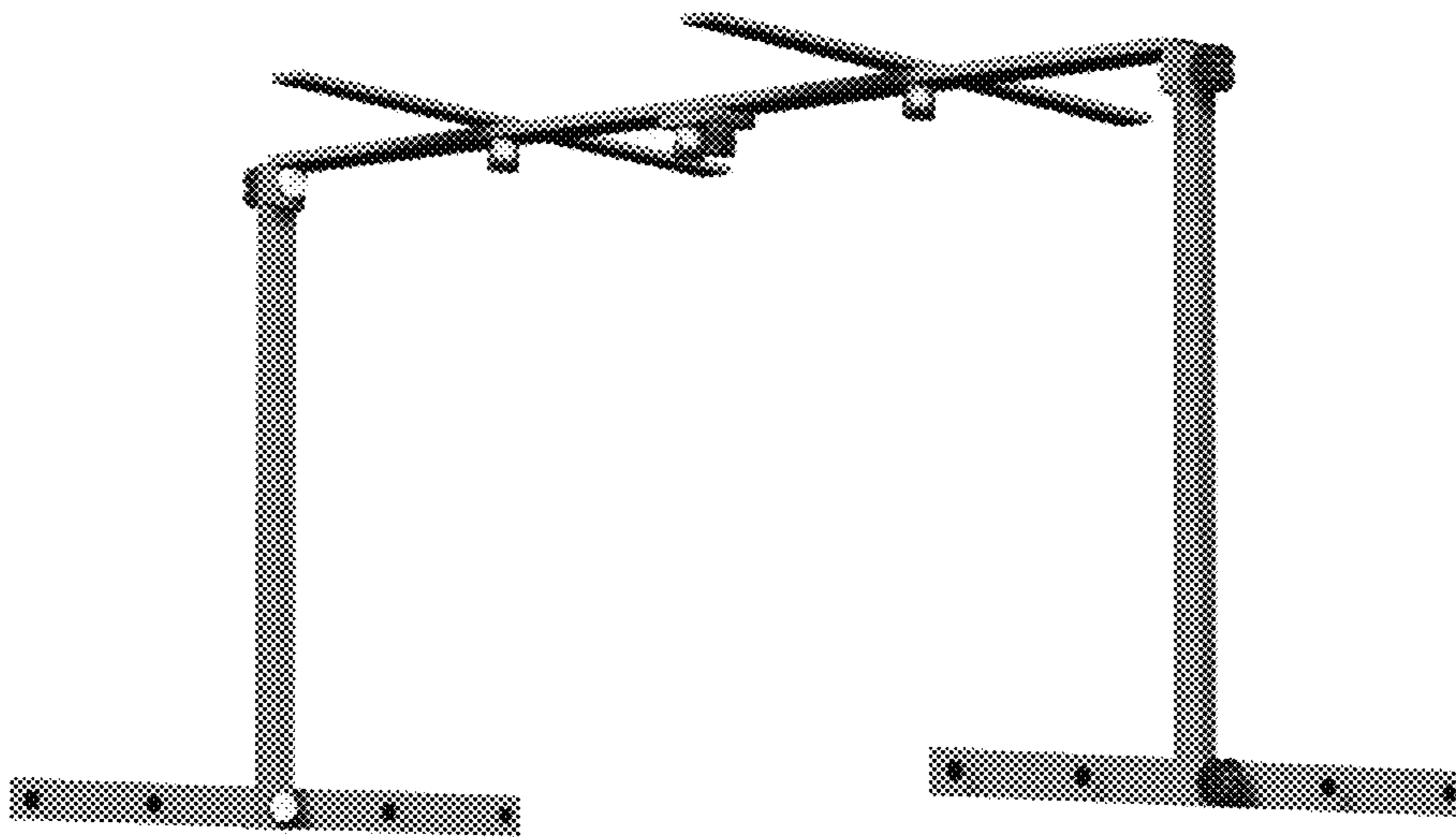


FIG. 2

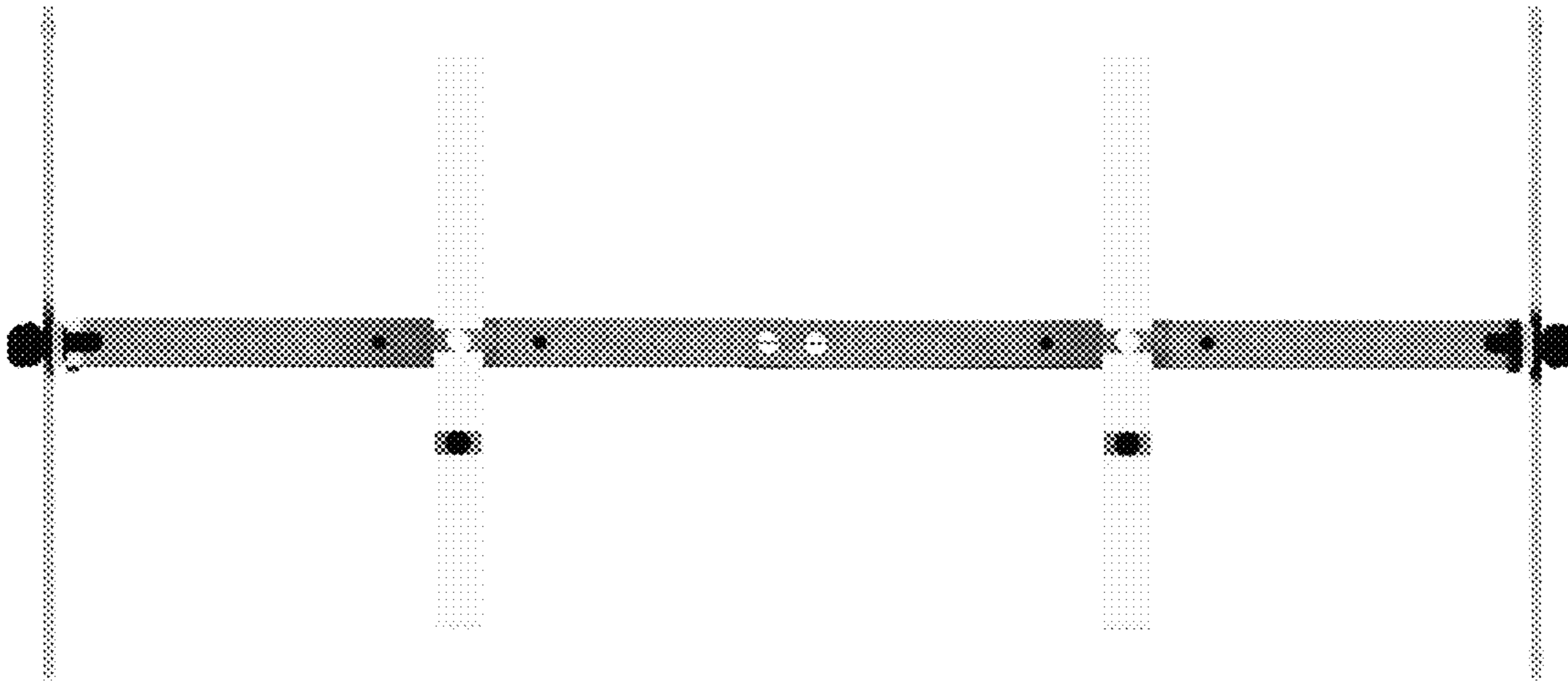


FIG.3

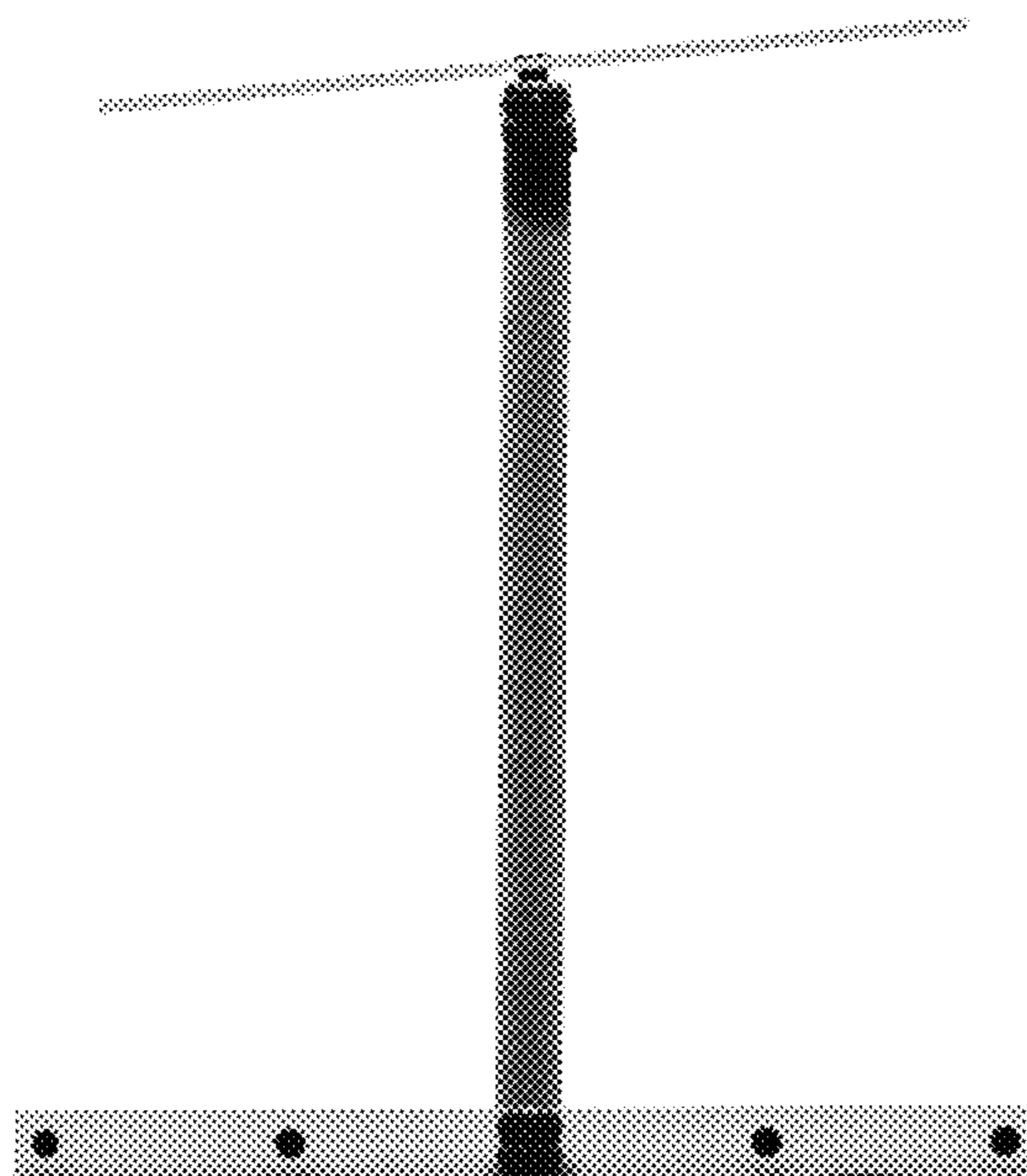


FIG.4

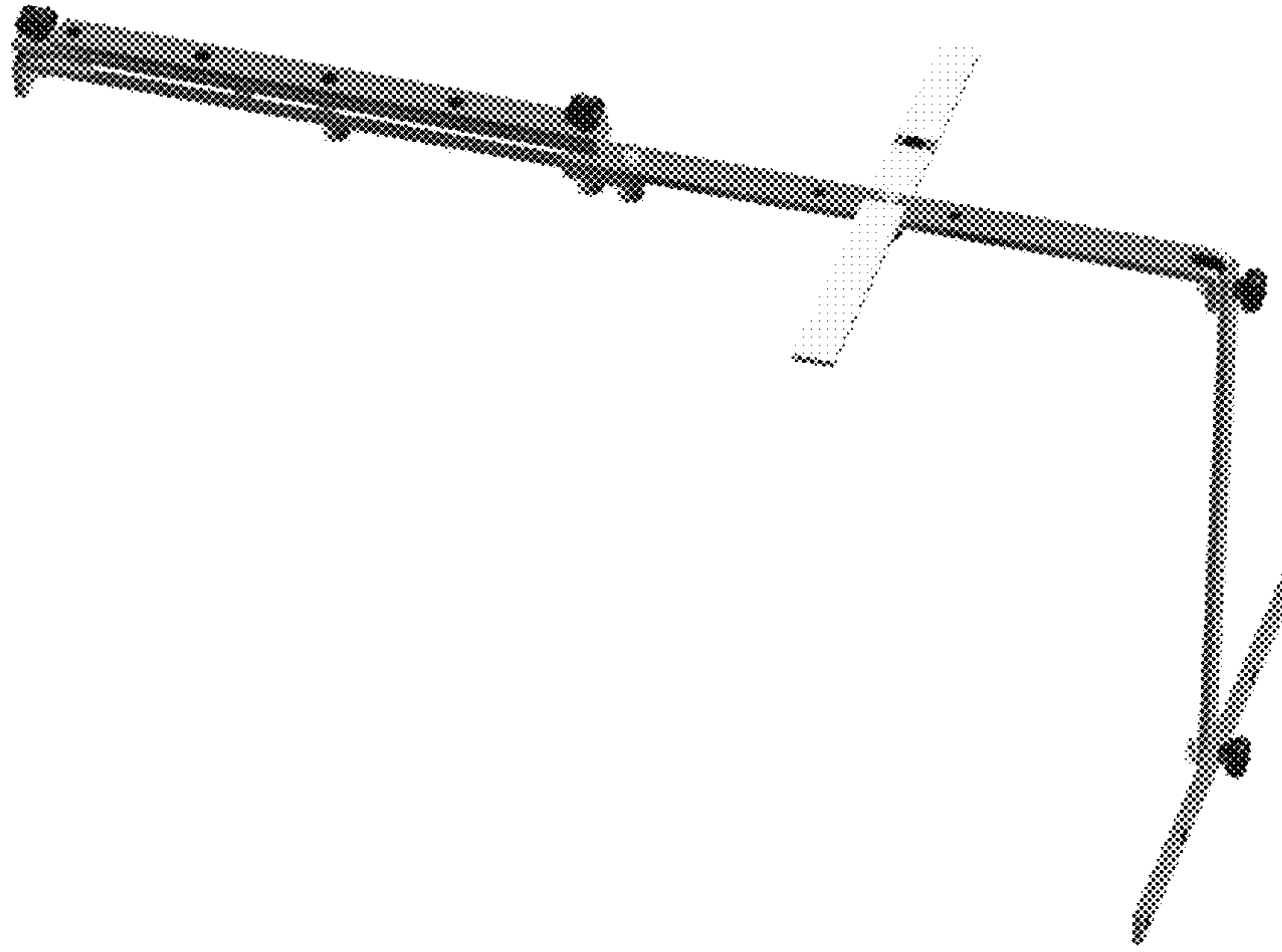


FIG.5

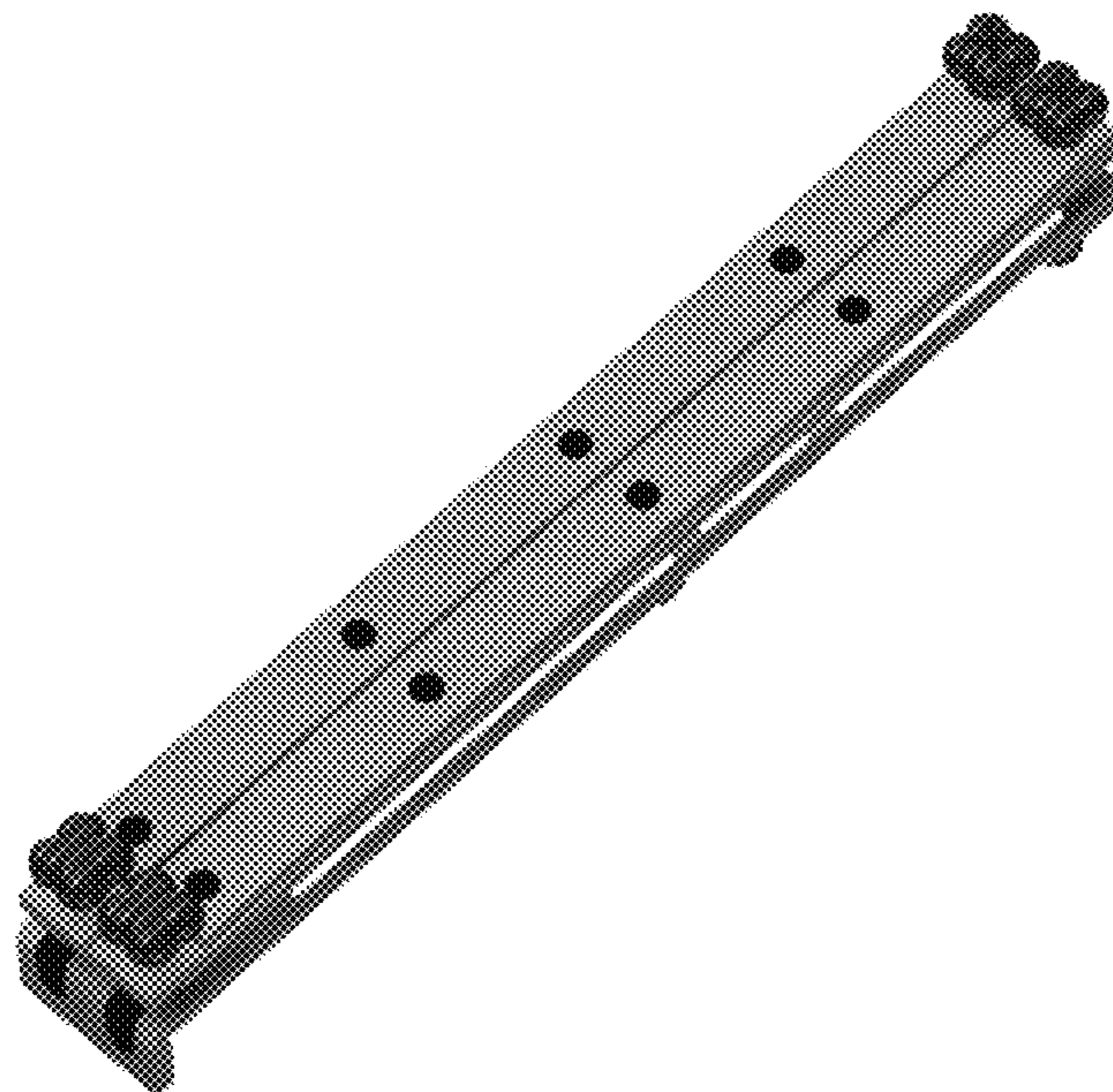


FIG.6

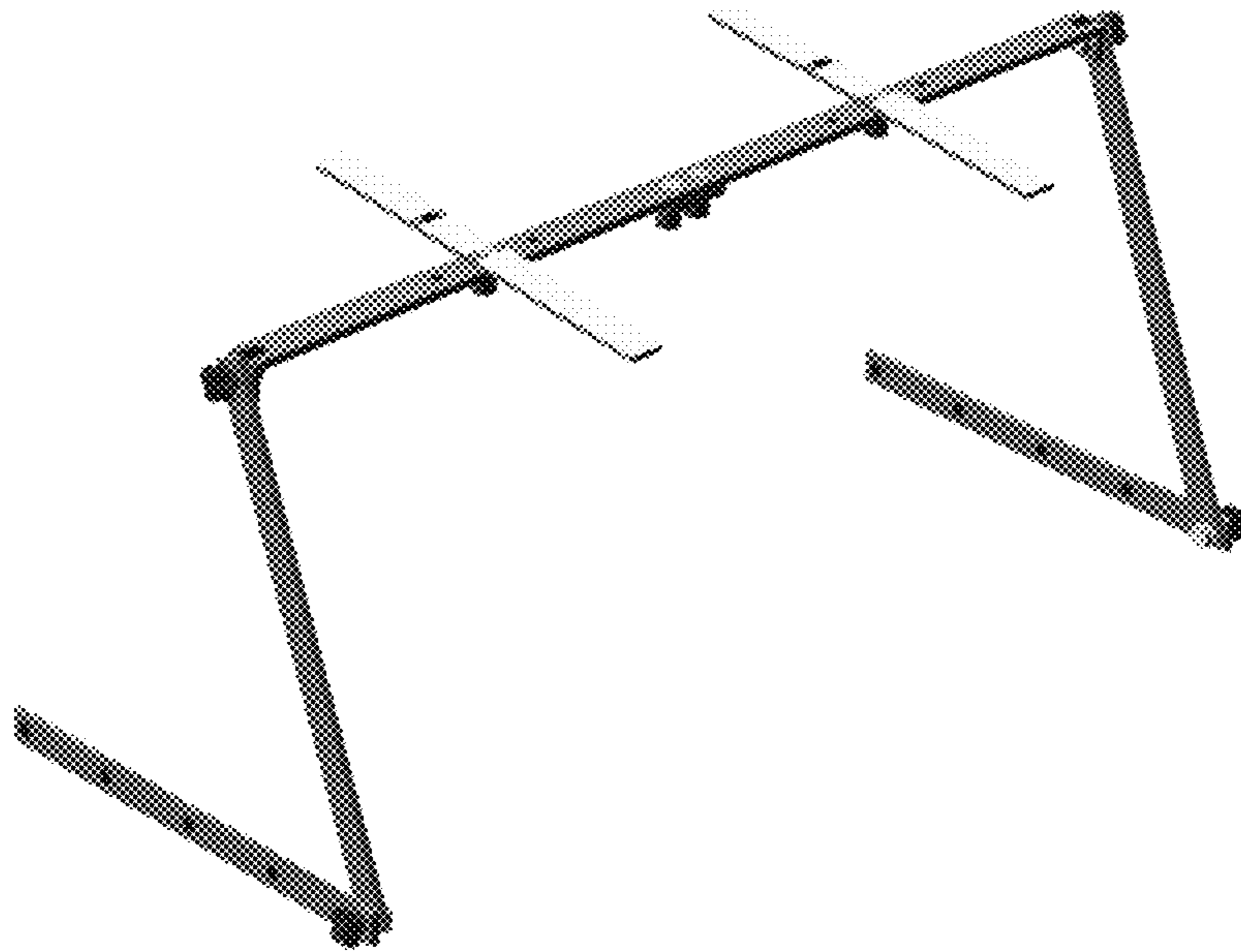


FIG. 7

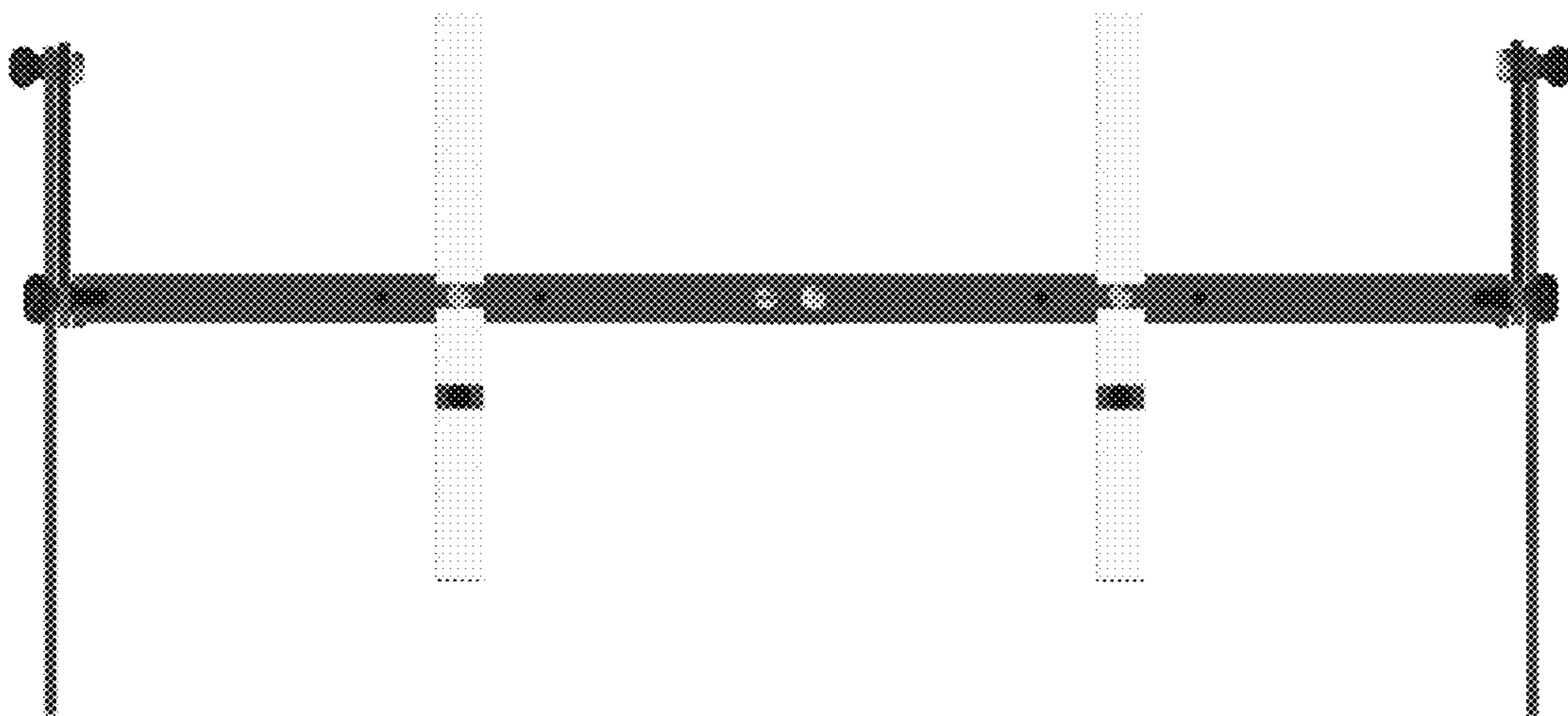


FIG. 8

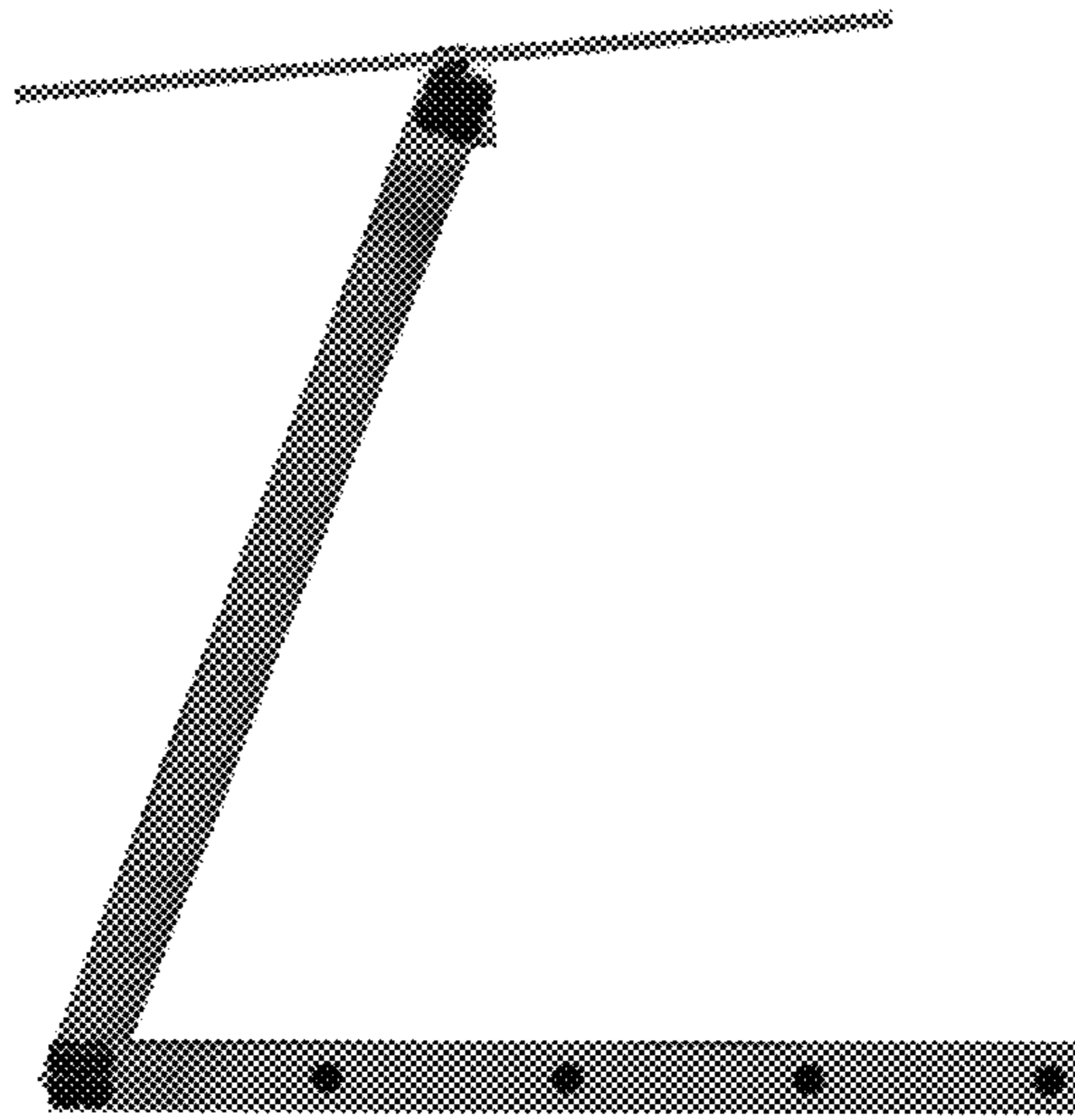


FIG. 9

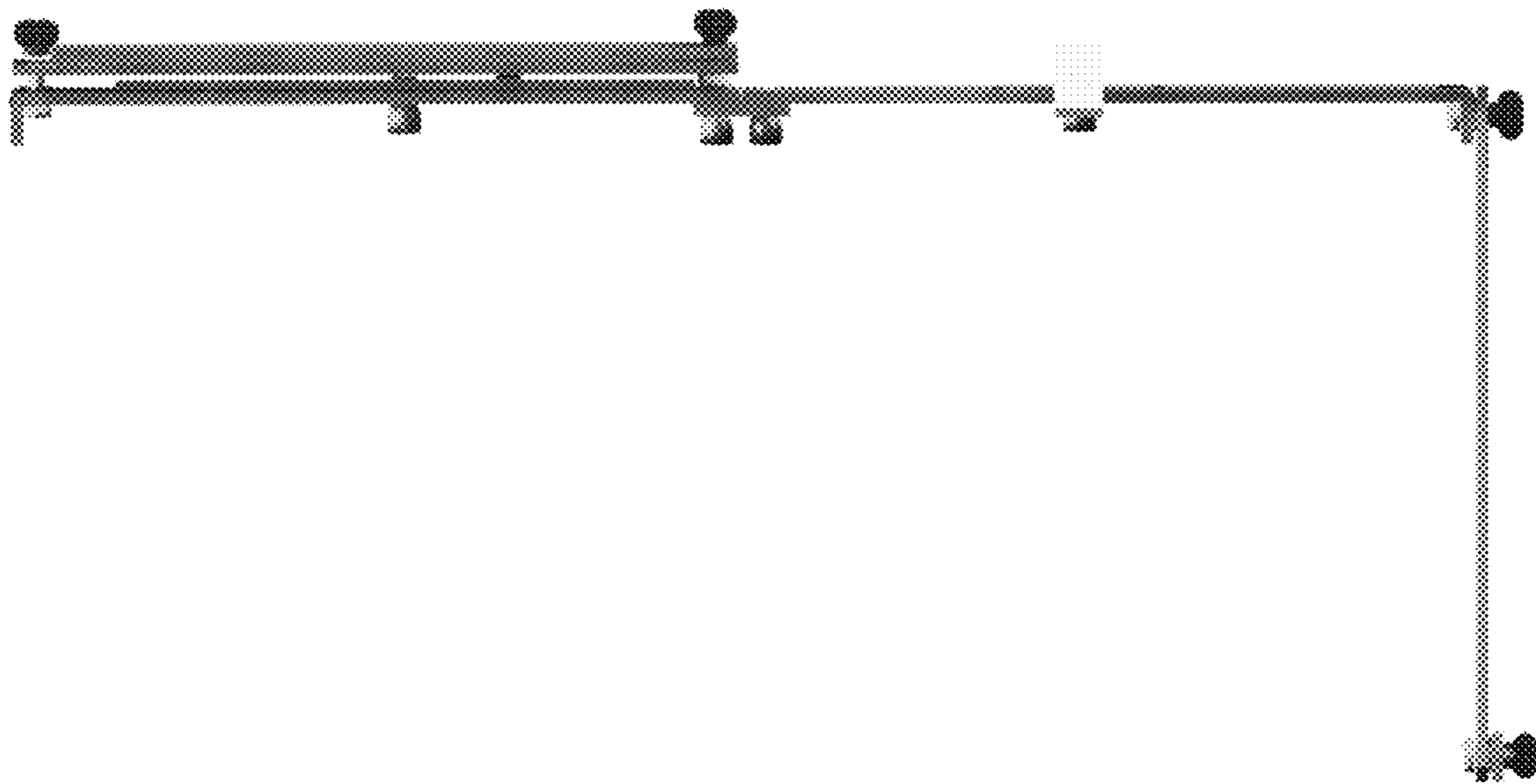


FIG. 10

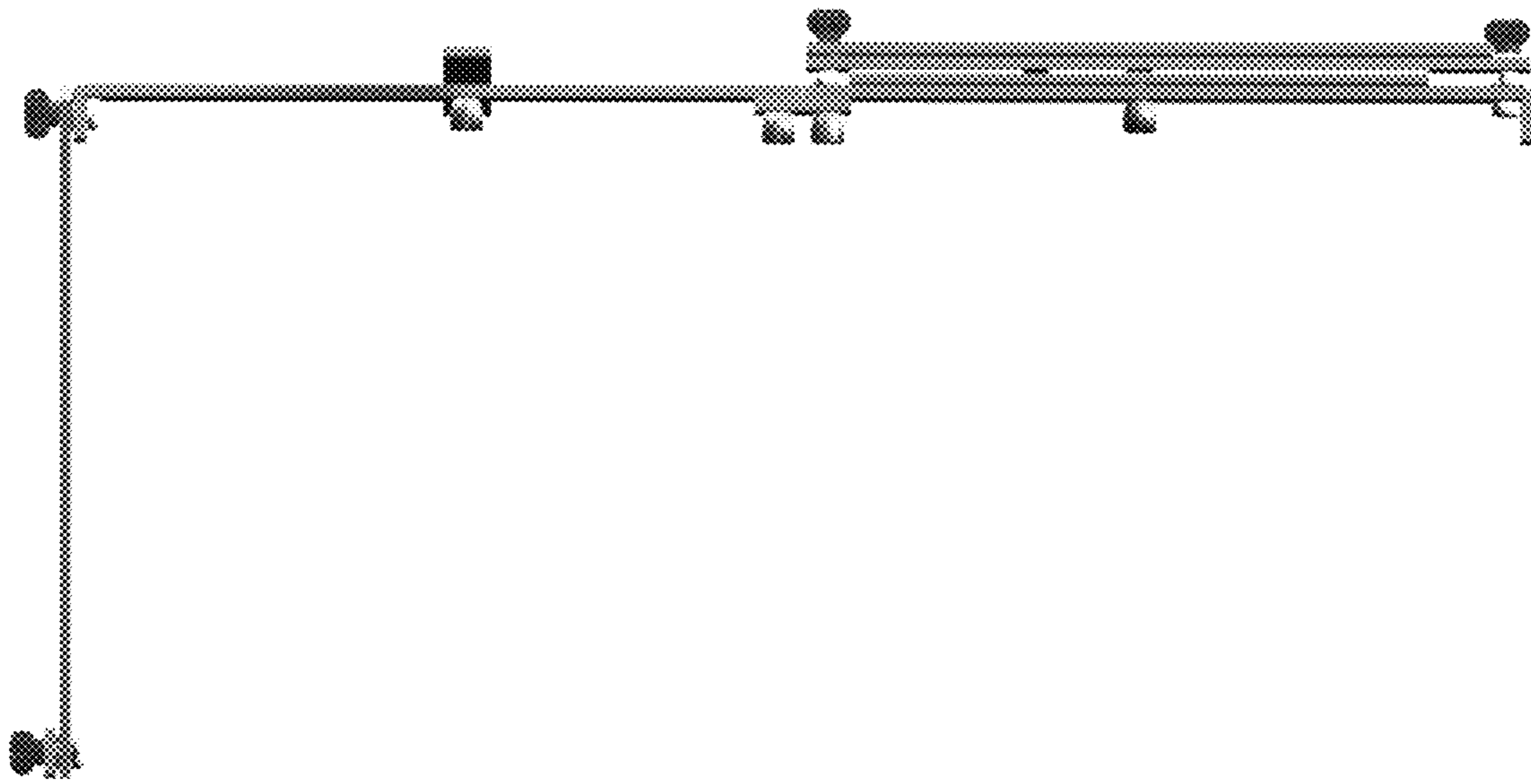


FIG. 11

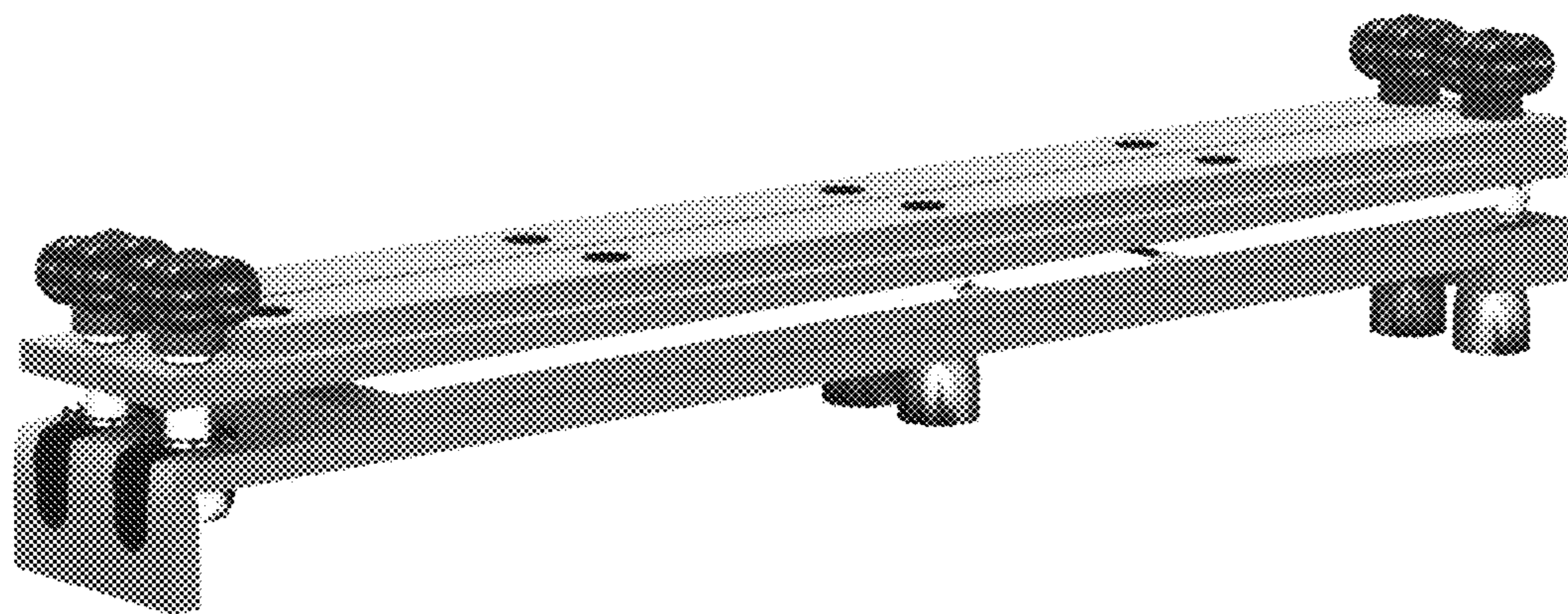


FIG. 12