



US00D783625S

(12) **United States Design Patent**  
**Okuley**

(10) **Patent No.:** **US D783,625 S**  
(45) **Date of Patent:** **\*\* Apr. 11, 2017**

(54) **ELECTRONIC DEVICE WITH A MODULAR  
TABLET STAND**

(71) Applicant: **Intel Corporation**, Santa Clara, CA  
(US)

(72) Inventor: **James M. Okuley**, Portland, OR (US)

(73) Assignee: **Intel Corporation**, Santa Clara, CA  
(US)

(\*\*) Term: **14 Years**

(21) Appl. No.: **29/513,136**

(22) Filed: **Dec. 27, 2014**

(51) **LOC (10) Cl.** ..... **08-07**

(52) **U.S. Cl.**  
USPC ..... **D14/447**

(58) **Field of Classification Search**  
USPC ..... D14/447, 432, 434, 439, 440, 451, 452,  
D14/457, 239; D12/415; D6/406.3,  
(Continued)

(56) **References Cited**

**U.S. PATENT DOCUMENTS**

D413,872 S \* 9/1999 Jessen ..... D14/447  
6,980,420 B2 12/2005 Maskatia et al.  
(Continued)

**FOREIGN PATENT DOCUMENTS**

WO 2016048565 A1 3/2016

**OTHER PUBLICATIONS**

USPTO Final Office Action in U.S. Appl. No. 14/498,812 mailed on  
Jul. 7, 2016; 21 pages.

(Continued)

*Primary Examiner* — Angela J Lee

(74) *Attorney, Agent, or Firm* — Hanley, Flight &  
Zimmerman, LLC

(57) **CLAIM**

The ornamental design for an electronic device with a modular tablet stand, as shown and described.

**DESCRIPTION**

FIG. 1 is a perspective view illustrating an electronic device with a modular tablet stand design according to one embodiment;

FIG. 2 is a front view illustrating an electronic device with a modular tablet stand design according to one embodiment; FIG. 3 is a back view illustrating an electronic device with a modular tablet stand device design according to one embodiment;

FIG. 4 is a side view illustrating an electronic device with a modular tablet stand design according to one embodiment; FIG. 5 is another side view illustrating an electronic device with a modular tablet stand design according to one embodiment;

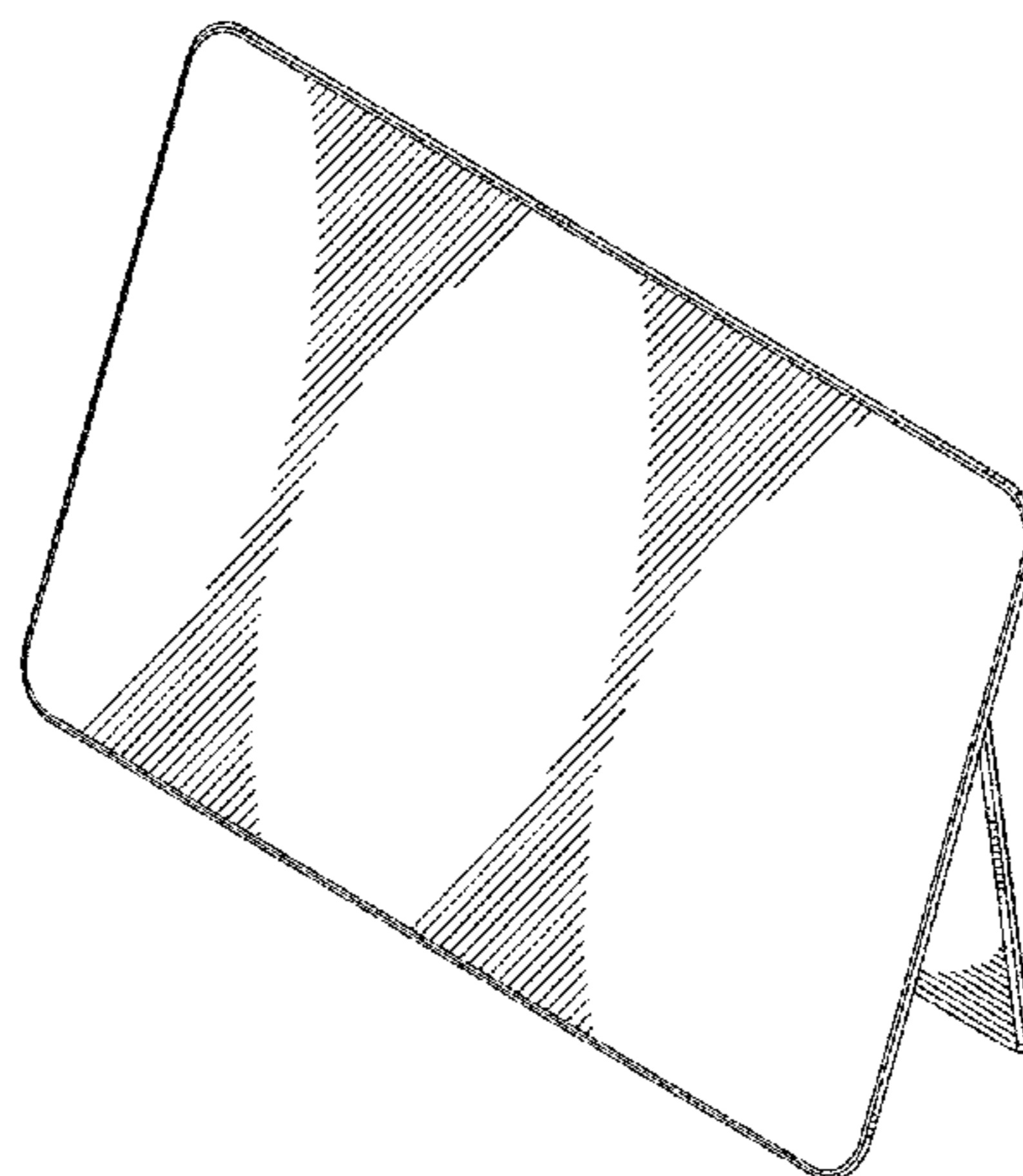
FIG. 6 is a top view illustrating an electronic device with a modular tablet stand design according to one embodiment; FIG. 7 is a bottom view illustrating an electronic device with a modular tablet stand design according to one embodiment; FIG. 8 is a perspective back view illustrating an electronic device with a modular tablet stand design according to one embodiment;

FIG. 9 is a side view illustrating an electronic device with a modular tablet stand design, where the modular tablet stand has been removed, according to one embodiment;

FIG. 10 is a front view illustrating an electronic device with a modular tablet stand design, where the modular tablet stand has been removed, according to one embodiment; and, FIG. 11 is a perspective view illustrating an electronic device with a modular tablet stand design, where the modular tablet stand has been stored, according to one embodiment.

The broken lines of the FIGURES are for illustration only. The broken lines and the unshaded regions bounded by broken lines of the preceding FIGURES illustrate boundaries and, therefore, form no part of the claimed design. Non-oblique line shading is meant to show contour and not surface ornamentation.

**1 Claim, 9 Drawing Sheets**



(58) **Field of Classification Search**

USPC ..... D6/406.4, 406.5, 406.6; D8/363, 373,  
D8/380  
CPC ..... F16M 2200/00; F16M 13/00; A45C  
2011/003; A45C 2011/002; A47B  
2023/049; A47B 2097/005; A47B  
2097/006; A47B 21/04  
See application file for complete search history.

D697,069 S *	1/2014	Tak .....	D14/447
D716,817 S *	11/2014	Yang .....	D14/447
D732,543 S *	6/2015	Westrup .....	D14/447
2002/0113751 A1	8/2002	Knopf	
2007/0076861 A1	4/2007	Ju	
2007/0164923 A1	7/2007	Kanai et al.	
2009/0052296 A1	2/2009	Tracy et al.	
2010/0177047 A1	7/2010	Brenneman et al.	
2011/0299235 A1	12/2011	Liu et al.	
2014/0009877 A1	1/2014	Okamoto et al.	
2014/0165366 A1*	6/2014	Hochman .....	H04M 1/04 29/525.01
2016/0094691 A1	3/2016	Okuley	

(56) **References Cited**

U.S. PATENT DOCUMENTS

D557,698 S *	12/2007	Lye .....	D14/447
D590,404 S *	4/2009	Kim .....	D14/447
D667,831 S *	9/2012	Stravitz .....	D14/447
D672,352 S *	12/2012	Gengler .....	D14/440
D676,853 S *	2/2013	Gengler .....	D14/447
D678,886 S *	3/2013	Heckler .....	D14/447
D692,010 S *	10/2013	Verghese .....	D14/447
D694,245 S *	11/2013	Sanz .....	D14/440

OTHER PUBLICATIONS

International Search Report and Written Opinion in International Application PCT/US2015/047051 mailed Nov. 27, 2015.  
USPTO Non-Final Office Action in U.S. Appl. No. 14/498,812 mailed on Jan. 6, 2016.

\* cited by examiner

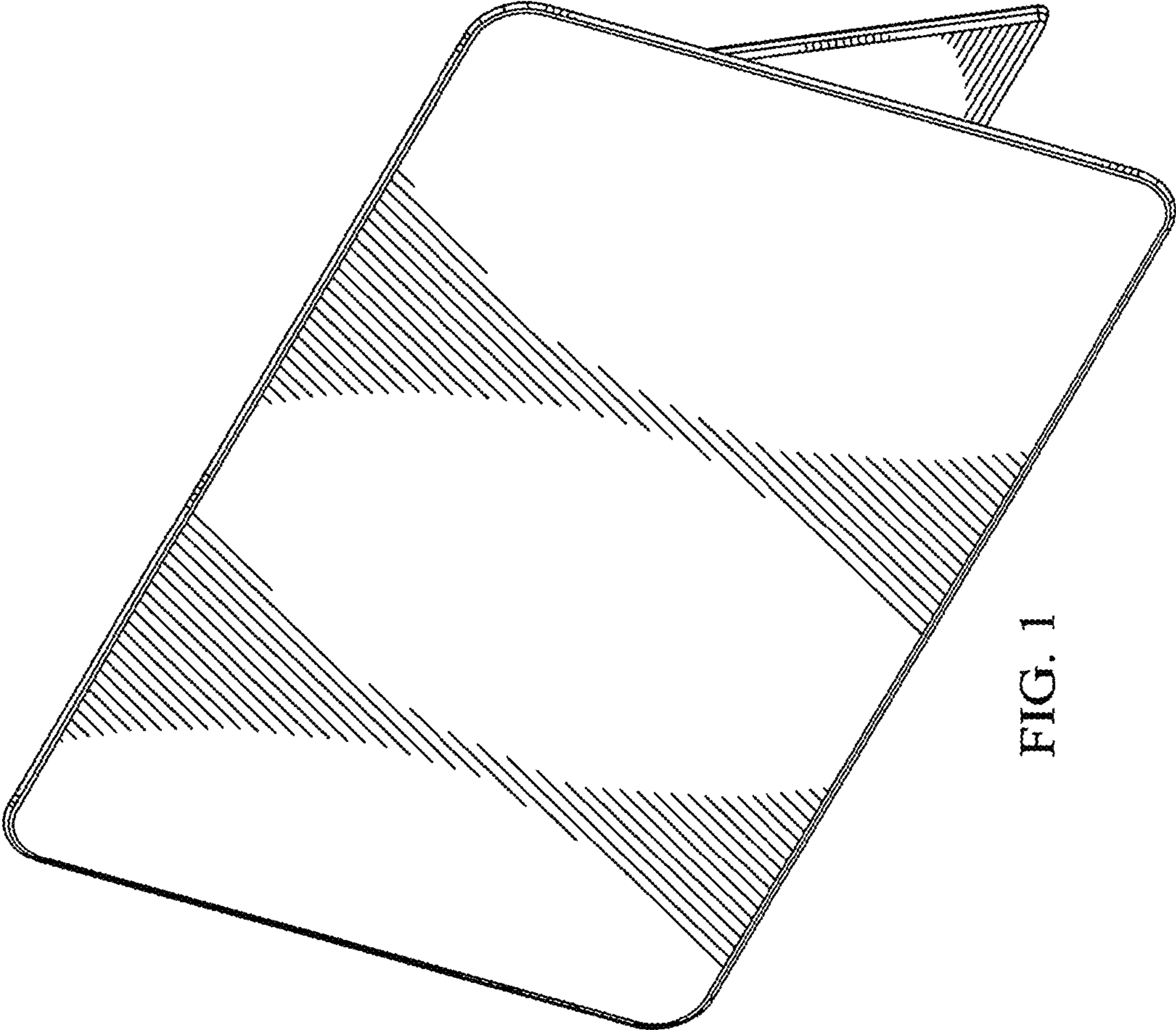


FIG. 1

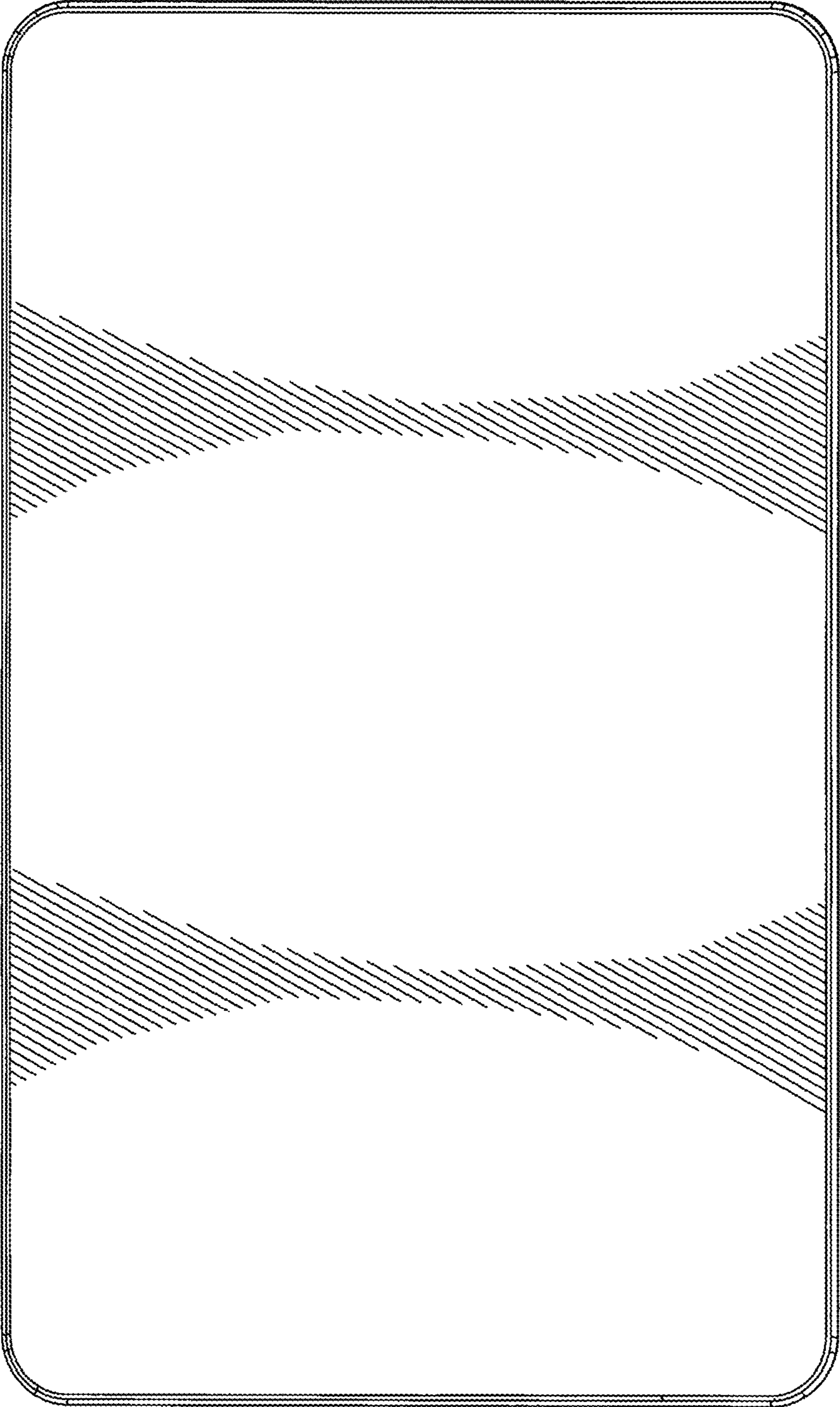


FIG. 2

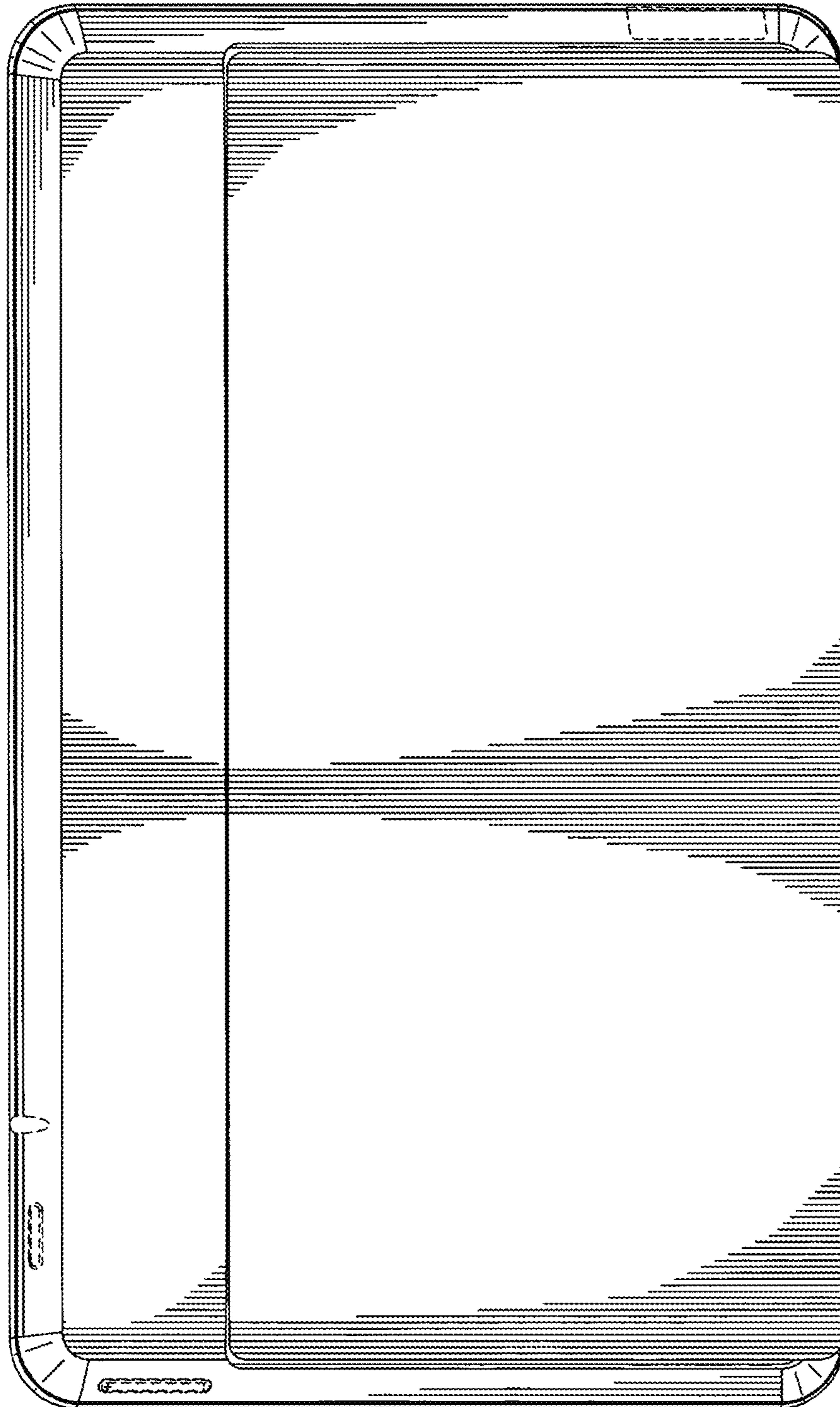


FIG. 3

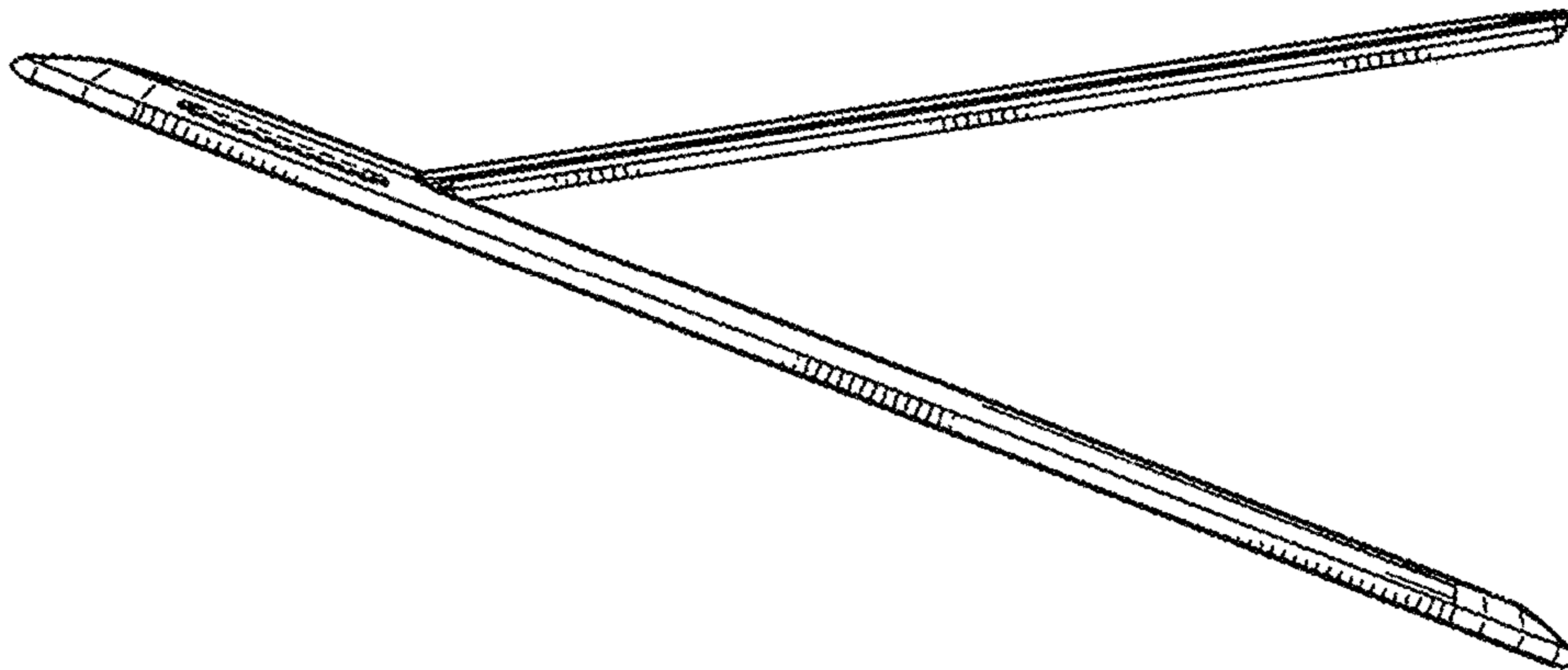


FIG. 5

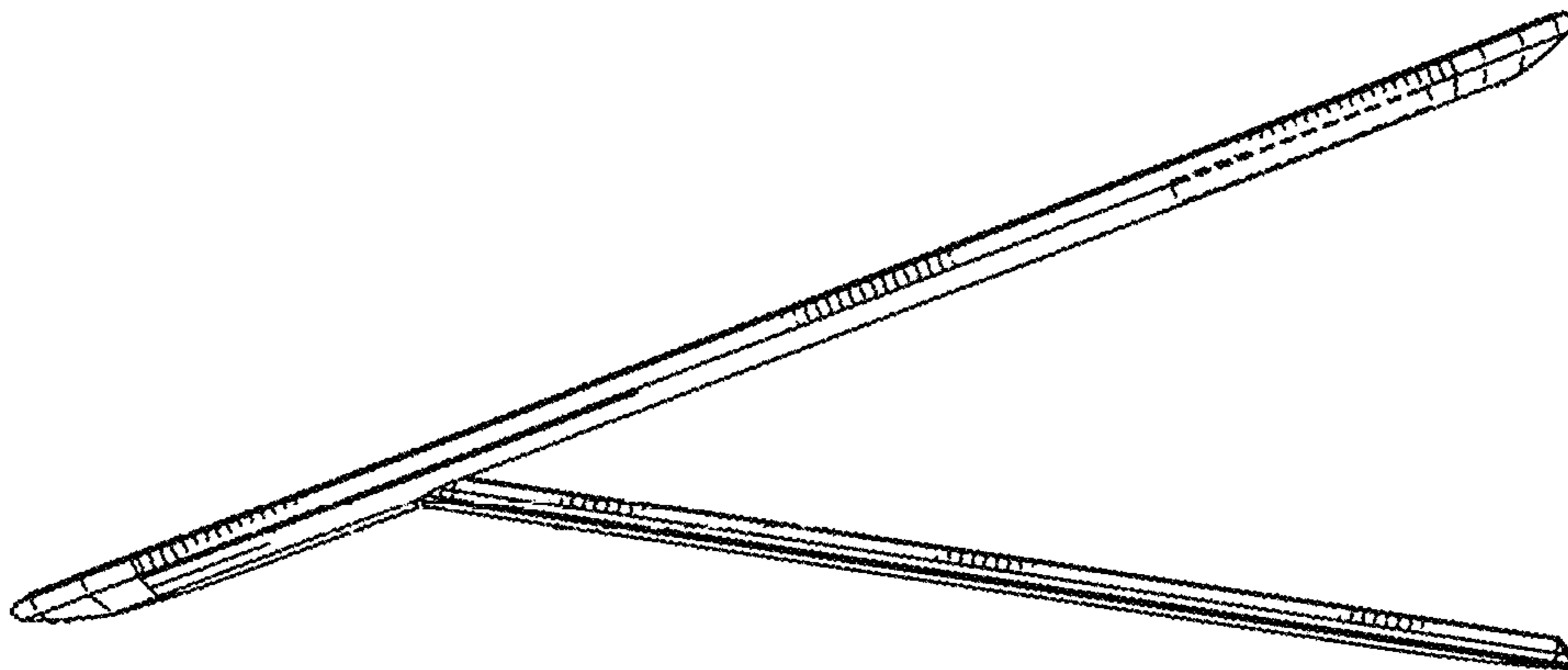


FIG. 4

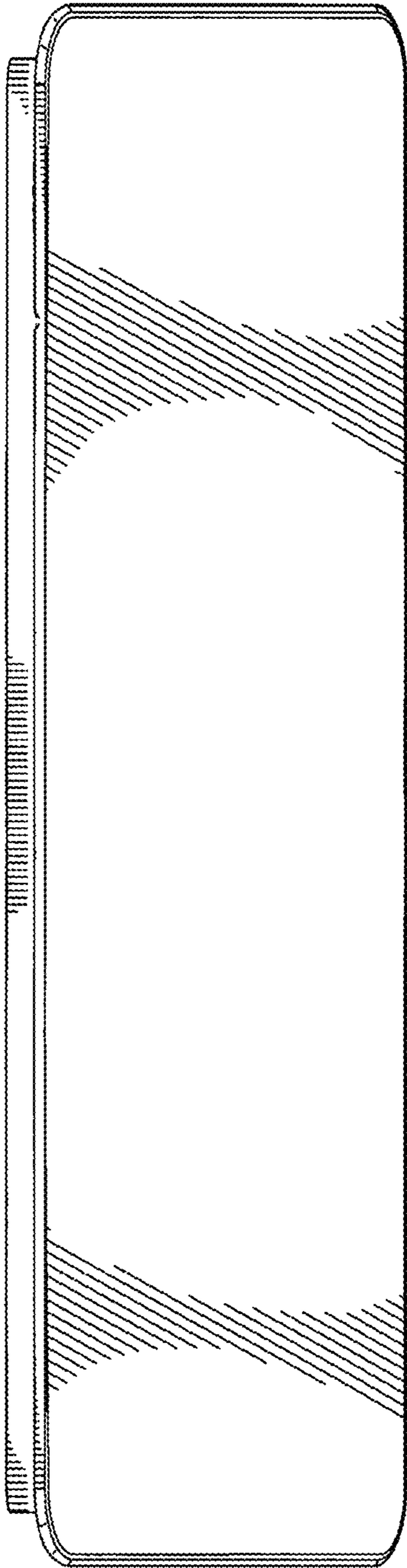


FIG. 6

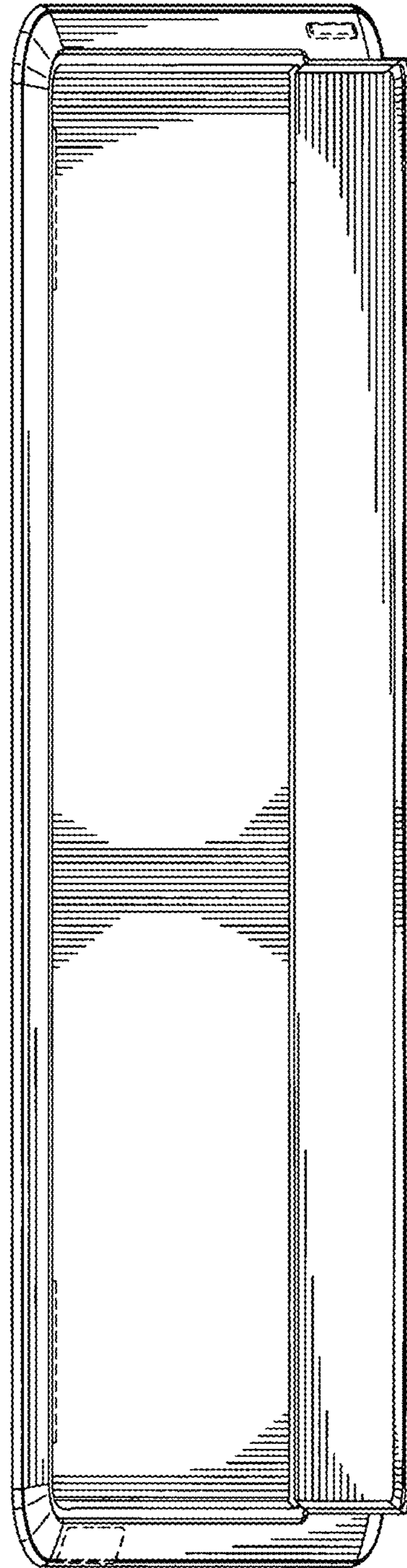


FIG. 7

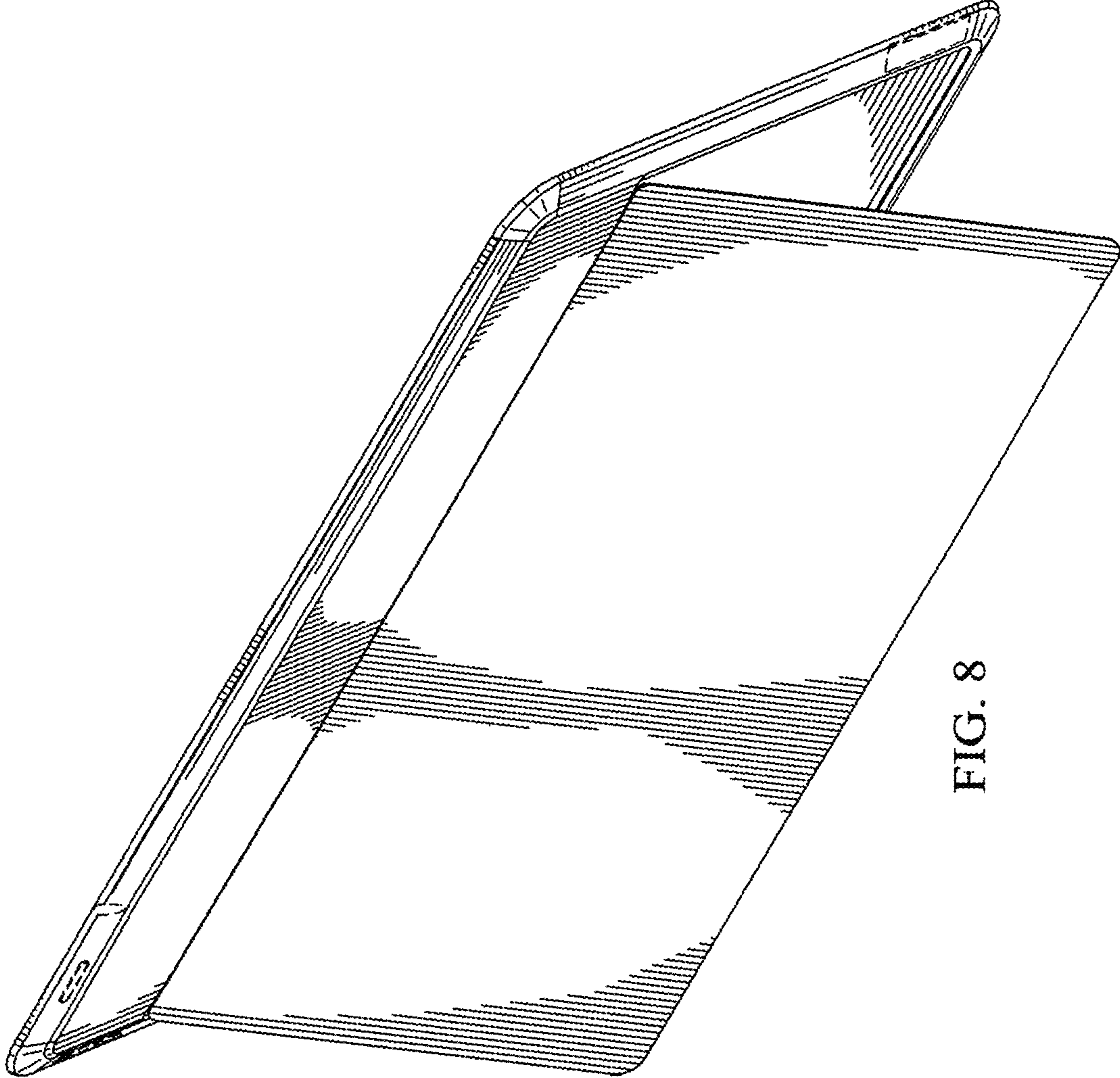


FIG. 8



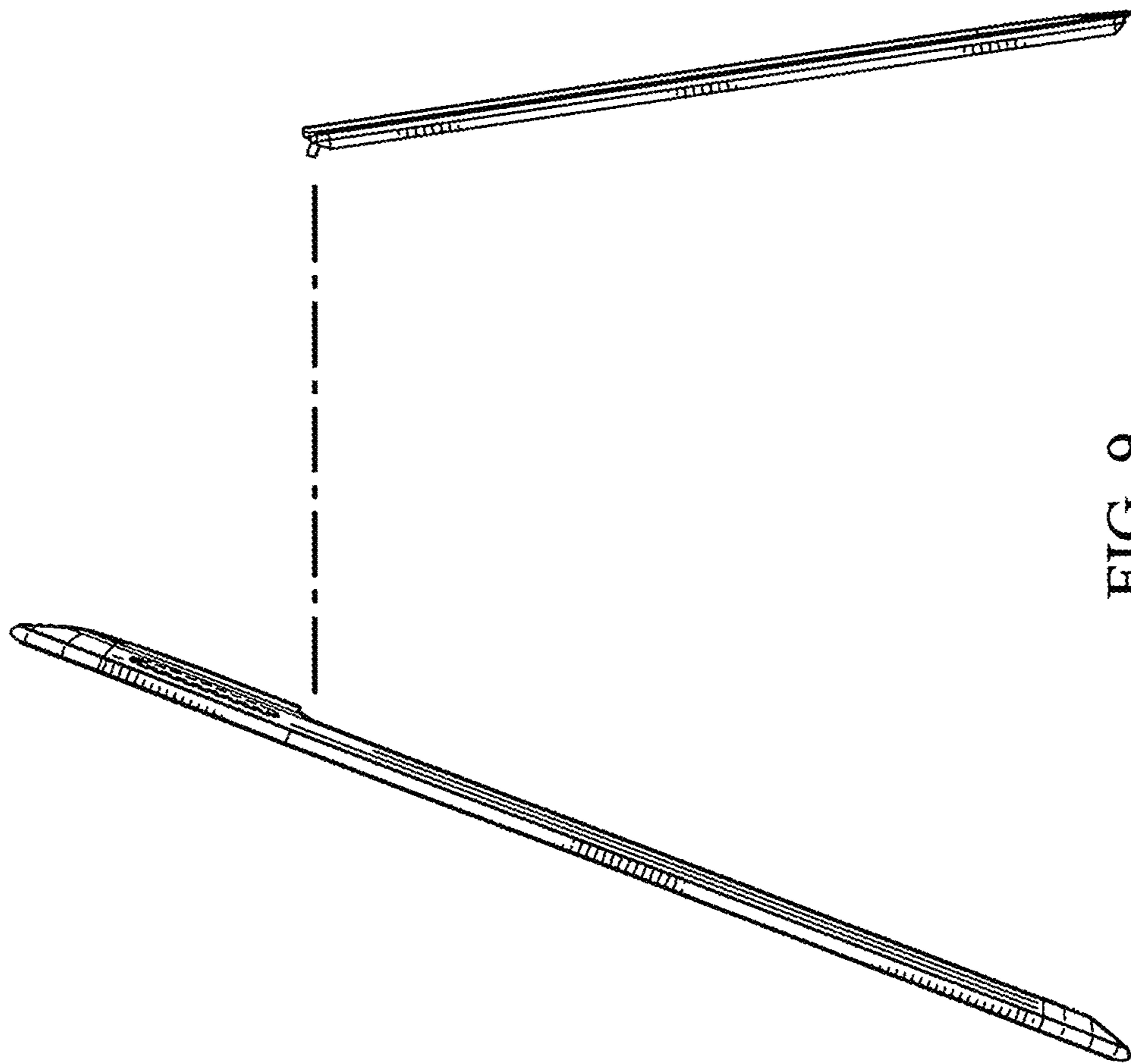


FIG. 9

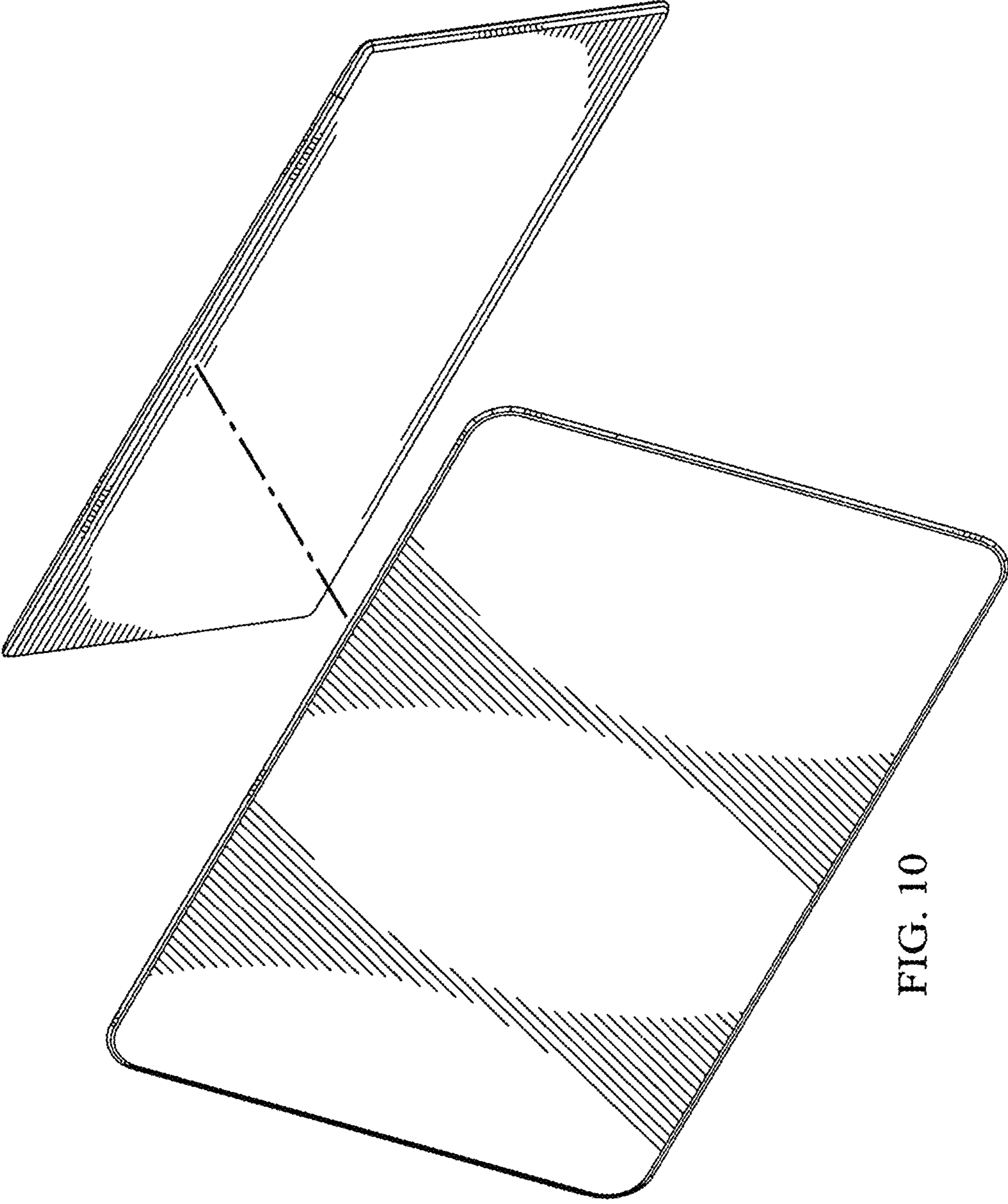


FIG. 10

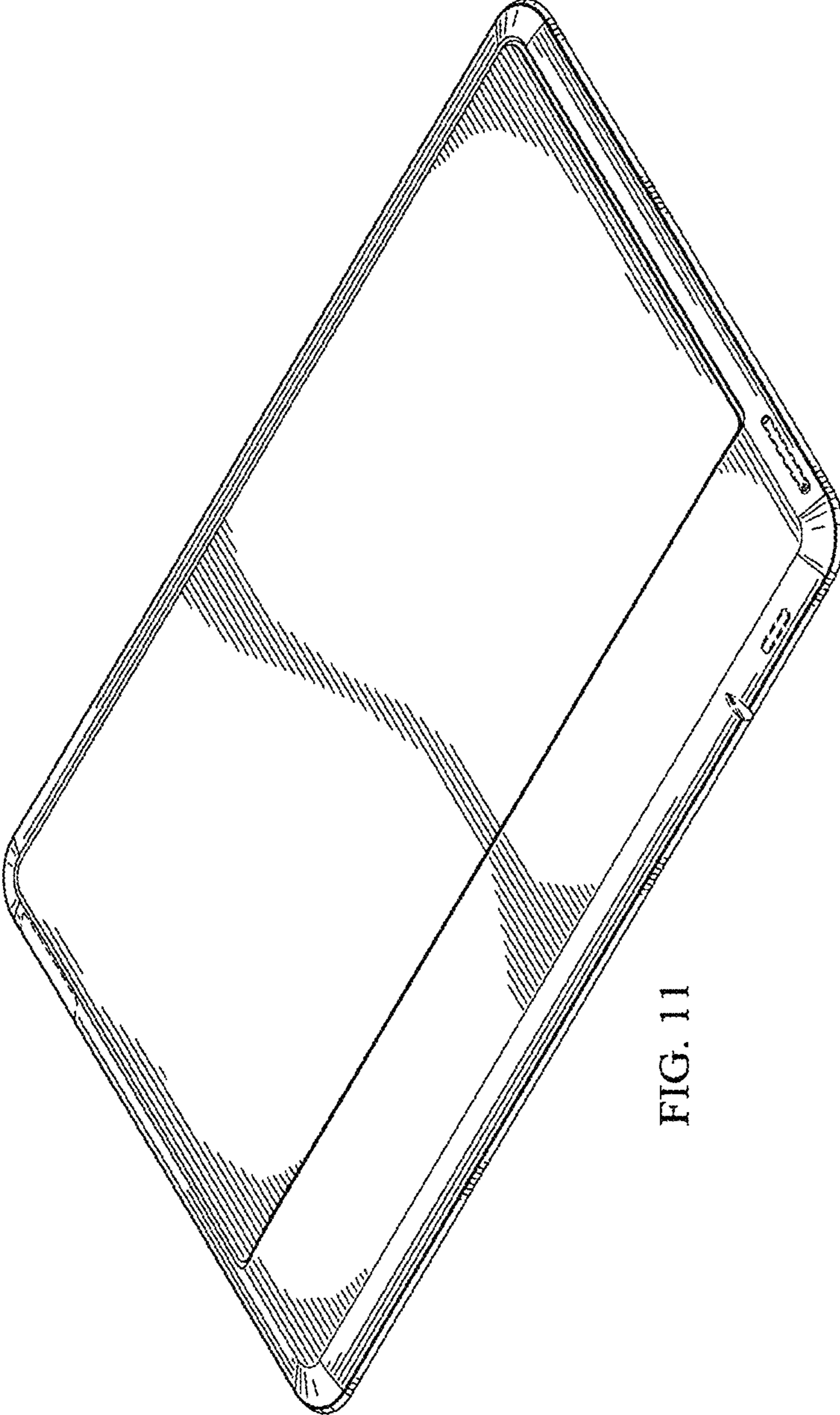


FIG. 11