



US00D783624S

(12) **United States Design Patent** (10) **Patent No.:** **US D783,624 S**  
**Reaux** (45) **Date of Patent:** **\*\* Apr. 11, 2017**

- (54) **FINGER RING BAND FOR COMPACT ELECTRONIC DEVICE**
- (71) Applicant: **Brian K. Reaux**, Red Oak, TX (US)
- (72) Inventor: **Brian K. Reaux**, Red Oak, TX (US)
- (73) Assignee: **Brian K. Reaux**, Red Oak, TX (US)
- (\*\*) Term: **15 Years**
- (21) Appl. No.: **29/505,515**
- (22) Filed: **Dec. 2, 2015**
- (51) **LOC (10) Cl.** ..... **08-07**
- (52) **U.S. Cl.**  
USPC ..... **D14/447**
- (58) **Field of Classification Search**  
USPC ..... D14/447, 432, 434, 439, 440, 451, 452,  
D14/457, 239, 344; D8/363, 373, 380;  
D6/406.3, 406.4, 406.5, 406.6; D12/415  
CPC ..... A47B 21/04; A47B 2097/006; A47B  
2097/005; A47B 2023/049; A45C  
2011/002; A45C 2011/003; F16M  
2200/00; F16M 13/00  
See application file for complete search history.

(56) **References Cited**

**U.S. PATENT DOCUMENTS**

- D299,028 S \* 12/1988 Hermann ..... D10/31
- 5,191,891 A \* 3/1993 Righter ..... A61B 5/0404  
600/508
- D419,897 S \* 2/2000 Storck ..... D10/98
- D686,213 S \* 7/2013 Haymond ..... D14/432
- D693,892 S \* 11/2013 Bentley ..... D21/796
- D704,201 S \* 5/2014 Shubin, Sr. .... D14/447

- D706,274 S \* 6/2014 Shubin, Sr. .... D14/447
- D706,785 S \* 6/2014 Brittain ..... D14/447
- D736,767 S \* 8/2015 Lee ..... D14/344
- D738,971 S \* 9/2015 Riddiford ..... D21/694
- D745,014 S \* 12/2015 Vales ..... D14/447
- D761,685 S \* 7/2016 Reaux ..... D11/26
- D765,549 S \* 9/2016 Khodapanah ..... D12/114
- 2015/0277559 A1 10/2015 Vescovi et al.

\* cited by examiner

*Primary Examiner* — Angela J Lee

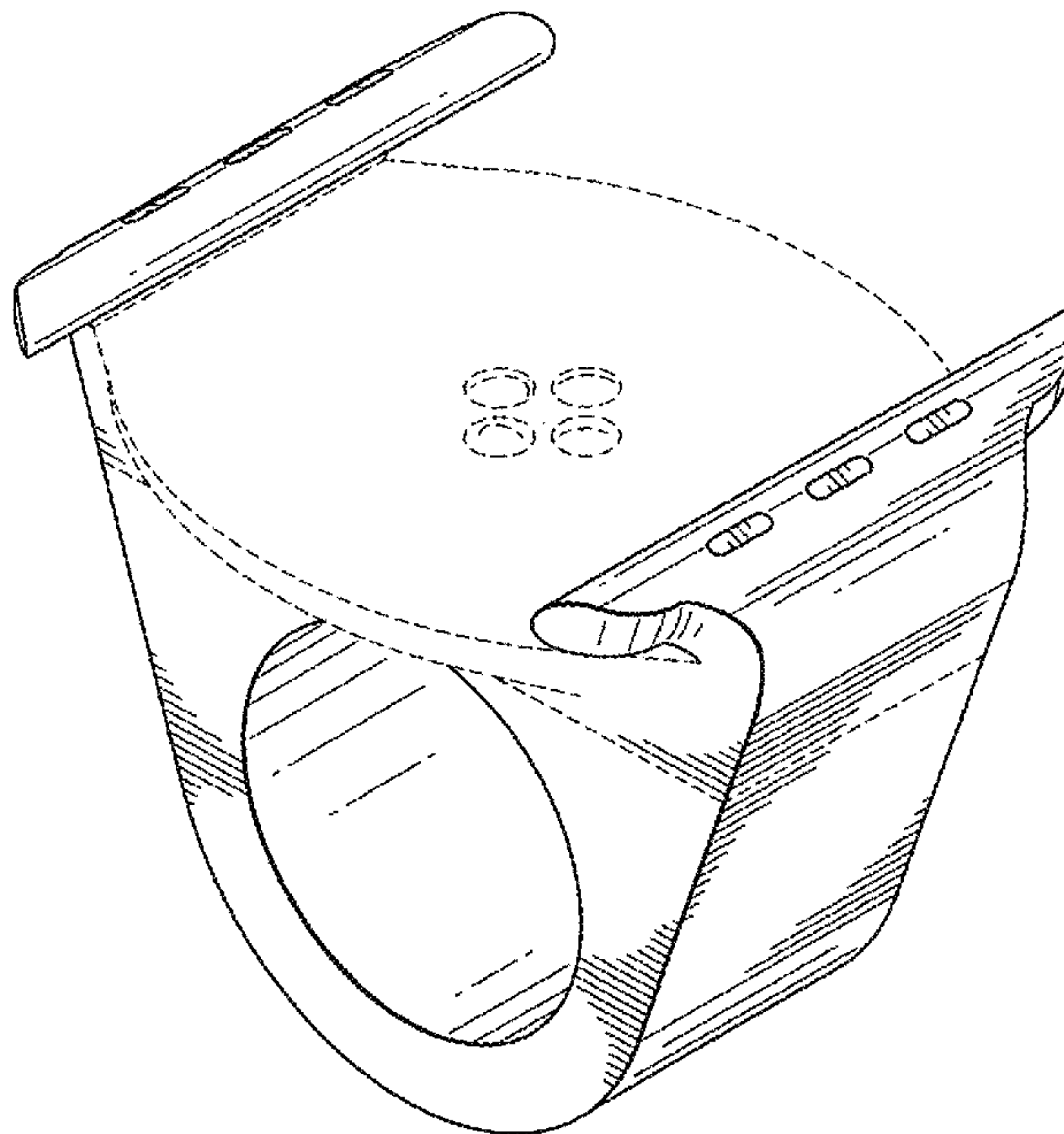
(57) **CLAIM**

The ornamental design for finger ring band for compact electronic device, as shown and described.

**DESCRIPTION**

FIG. 1 is a Perspective view thereof; the finger ring band without the electronic device, showing my new design.  
 FIG. 2 is a right side view thereof; the left side view being a mirror image.  
 FIG. 3 is a front view thereof; the rear view being a mirror image.  
 FIG. 4 is a top plan view thereof.  
 FIG. 5 is a plan bottom view thereof.  
 FIG. 6 is another perspective view thereof; the compact electronic device placed within the finger ring band, worn in the first position; and,  
 FIG. 7 is another perspective view thereof; the compact electronic device placed within the finger ring band, worn in the alternate position.  
 The broken lines are for illustrative purposes only and form no part of the claimed design.

**1 Claim, 6 Drawing Sheets**



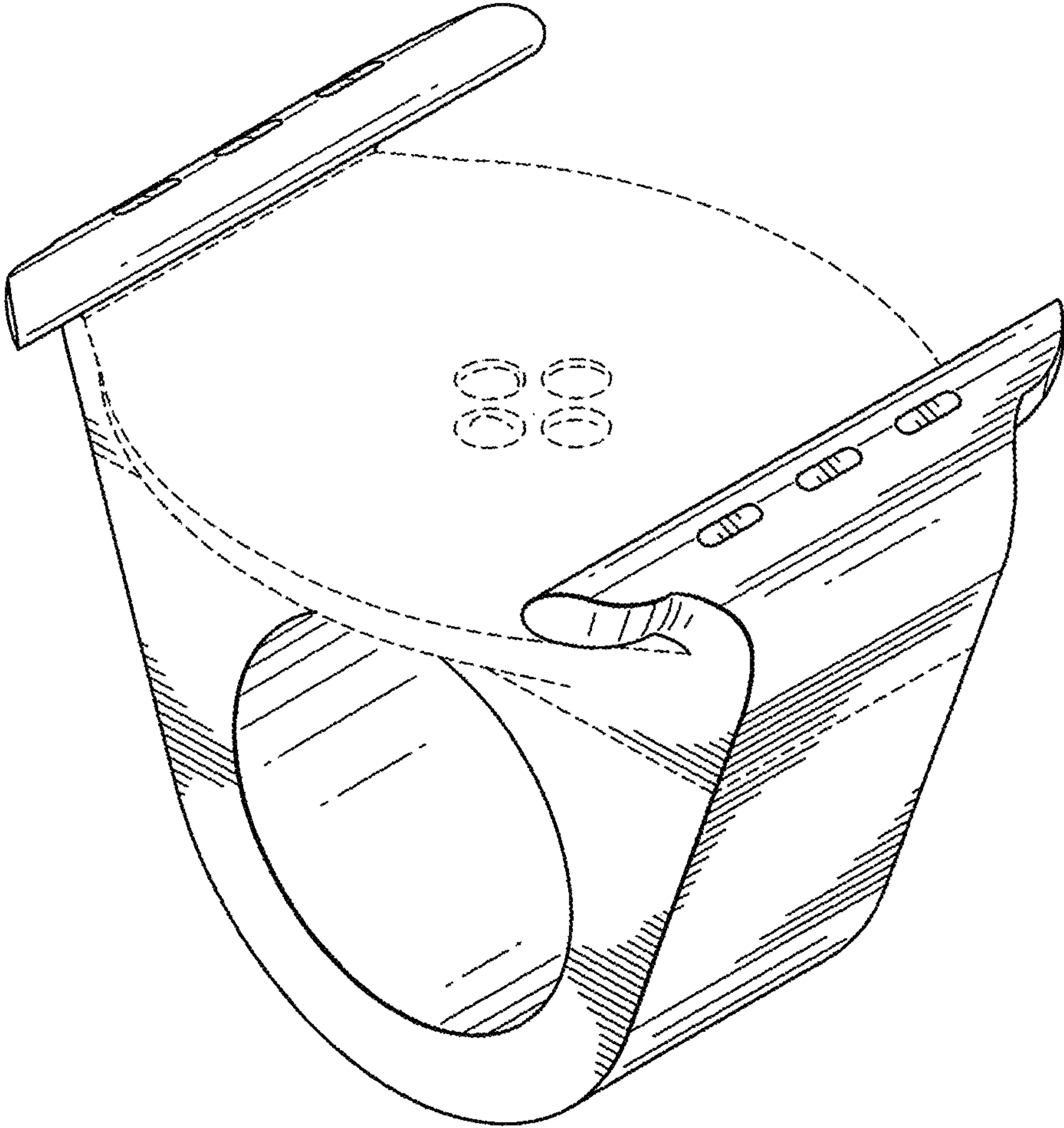


FIG. 1

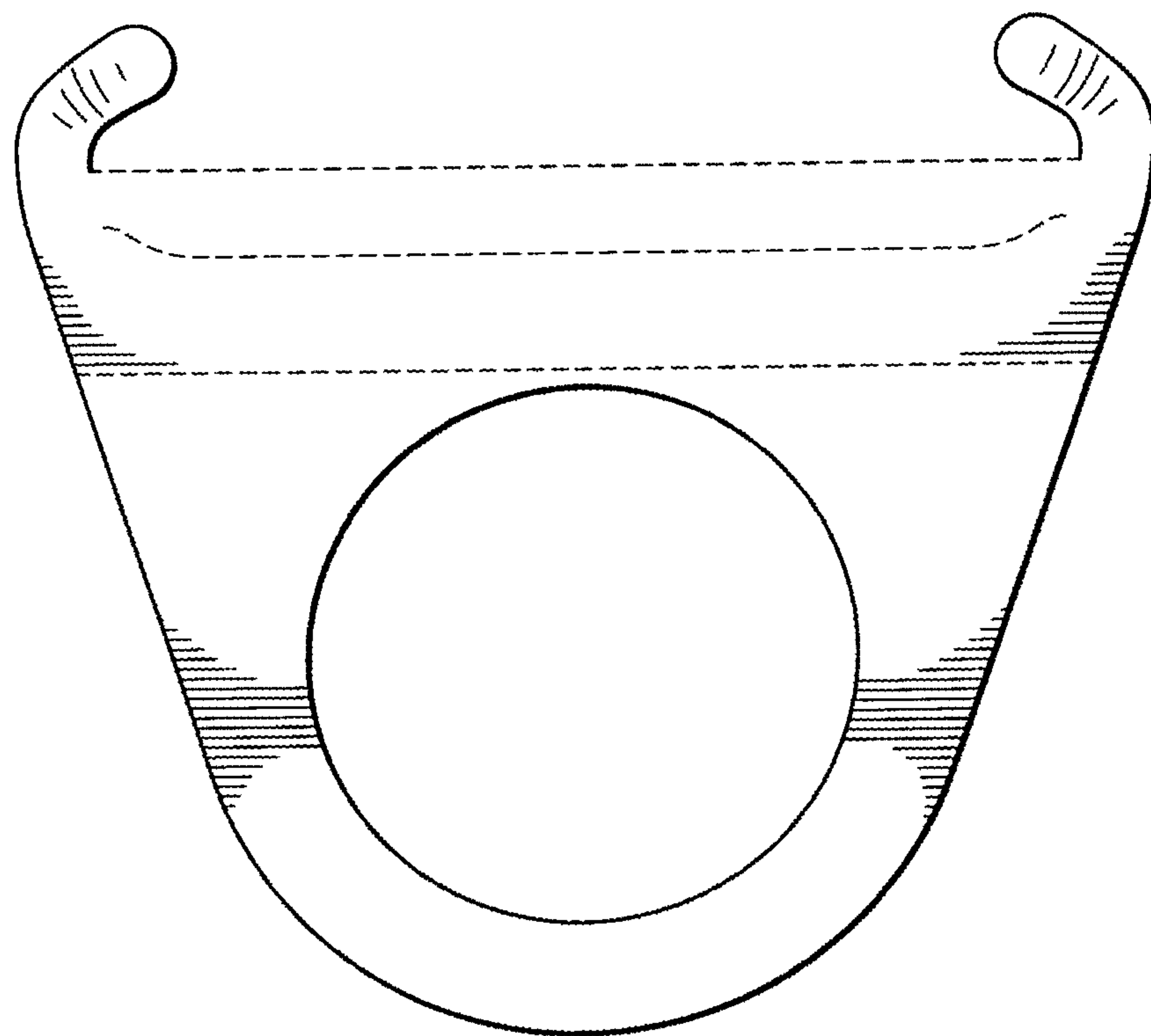


FIG. 2

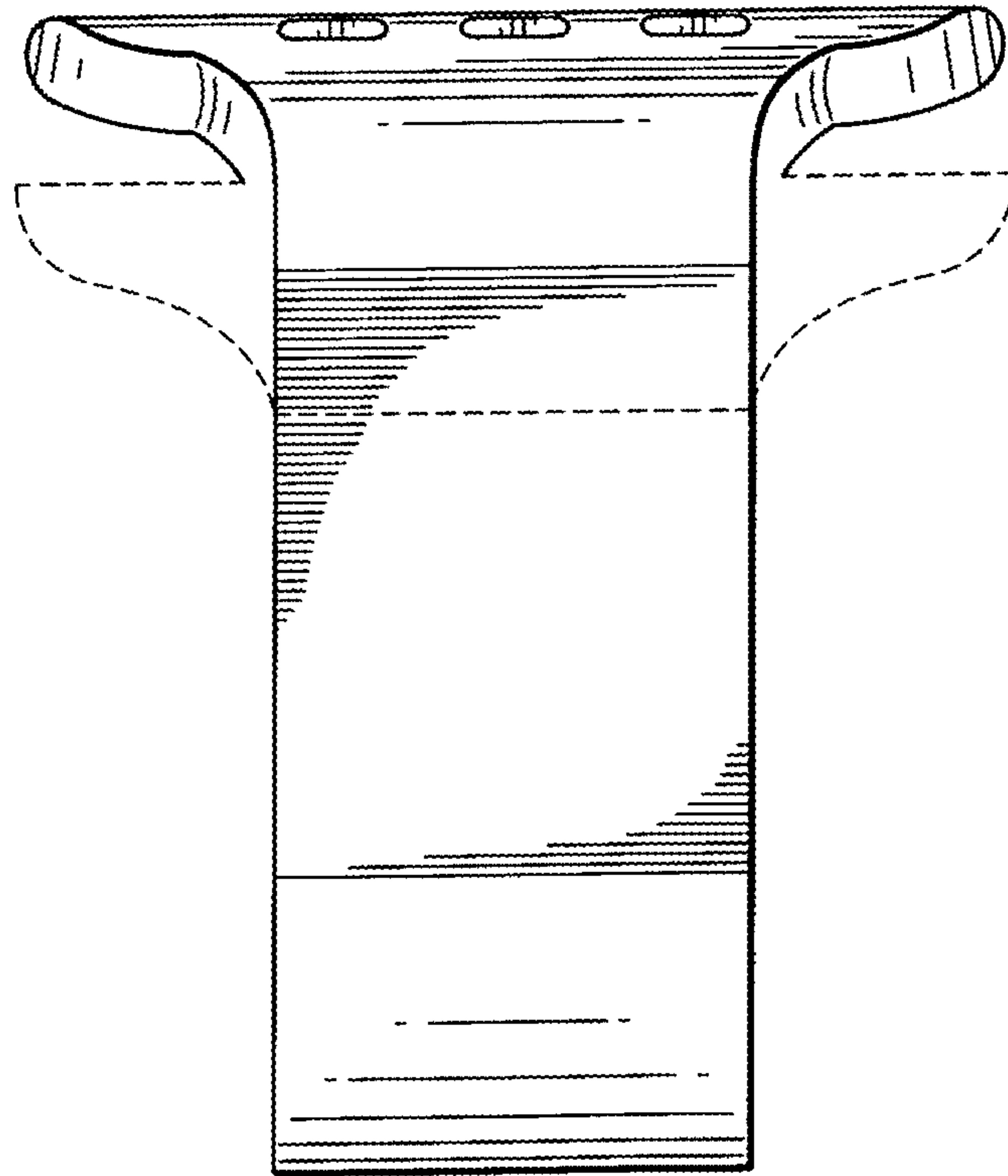


FIG. 3

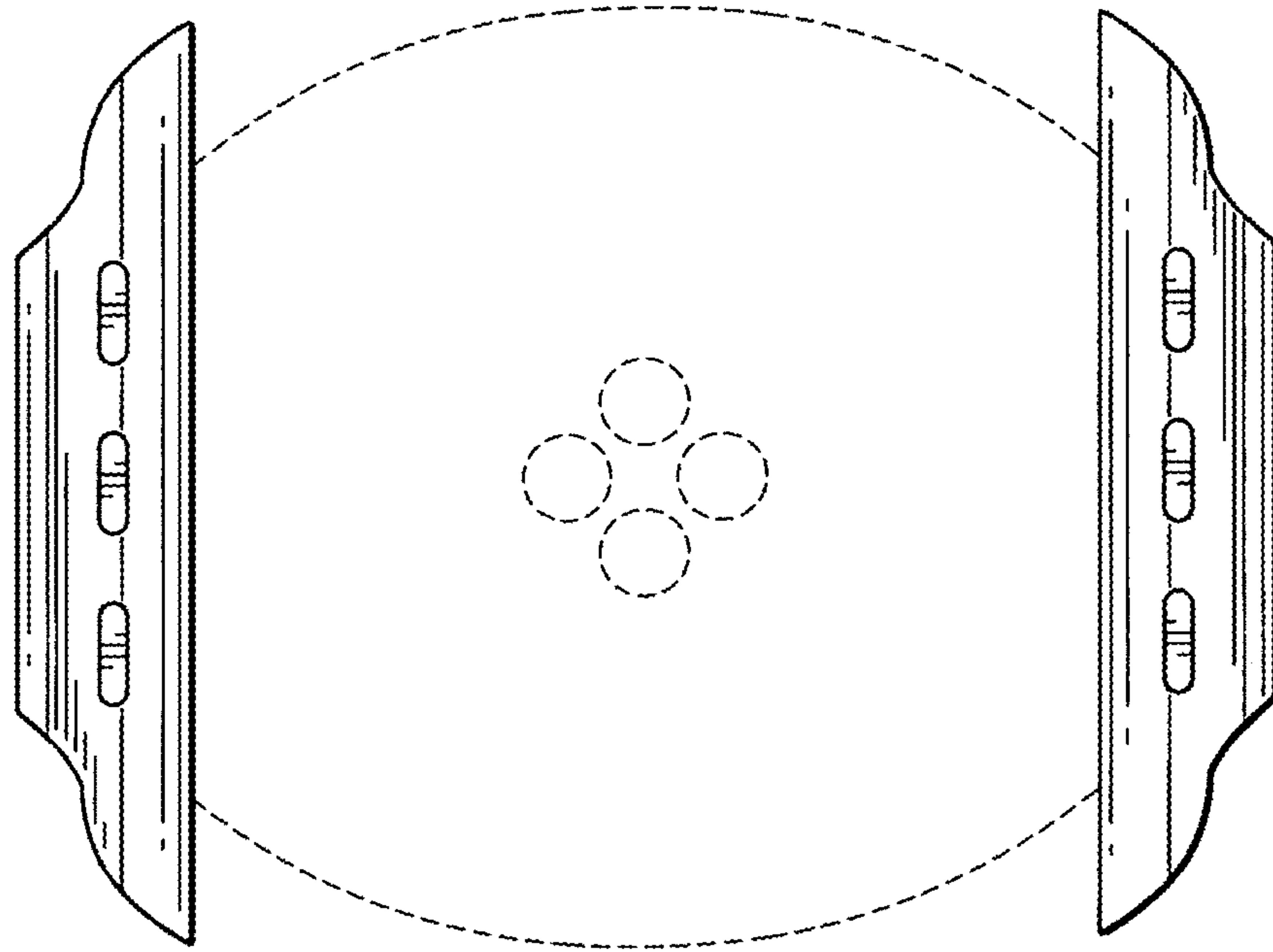


FIG. 4

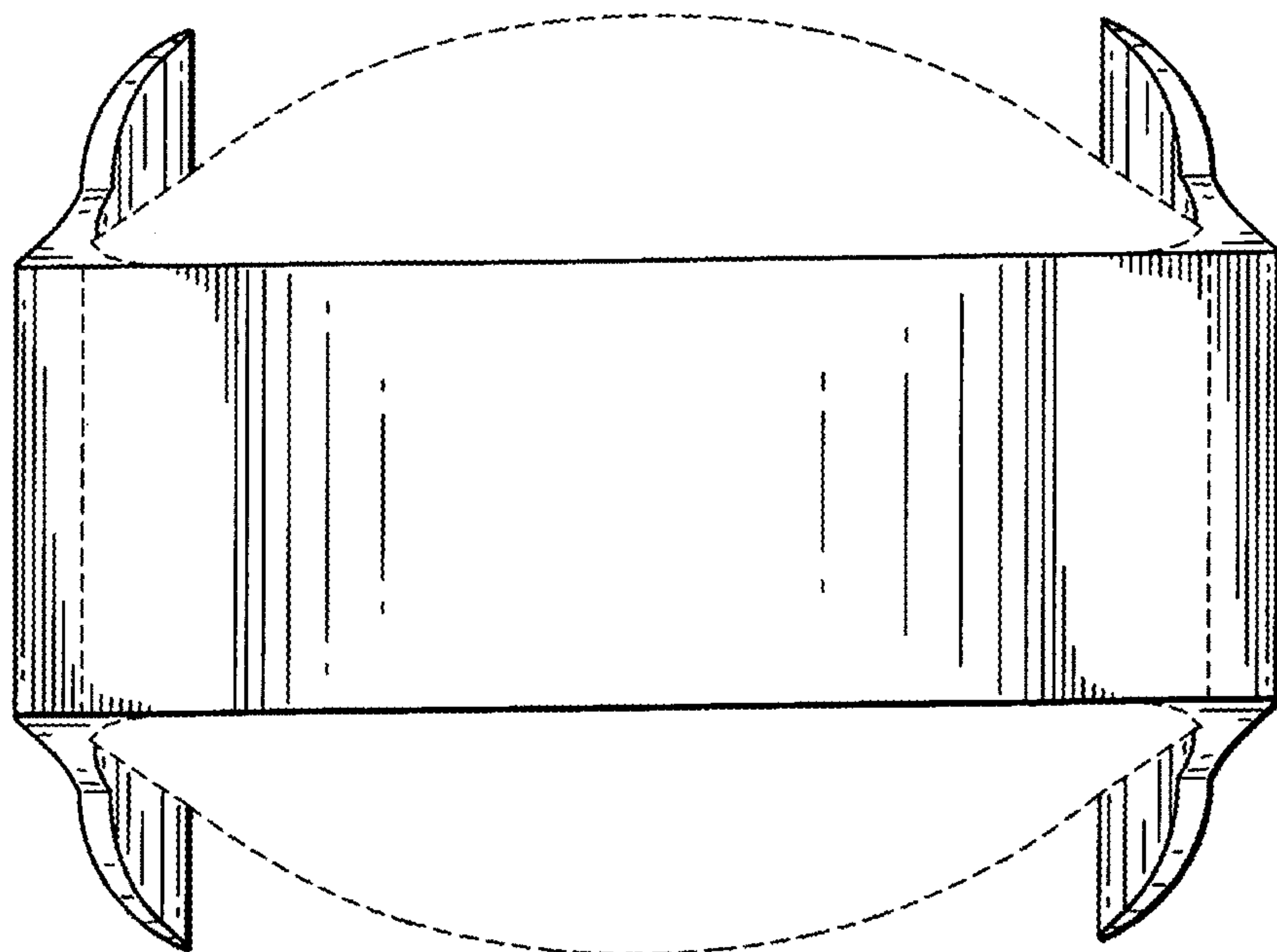


FIG. 5



FIG. 6

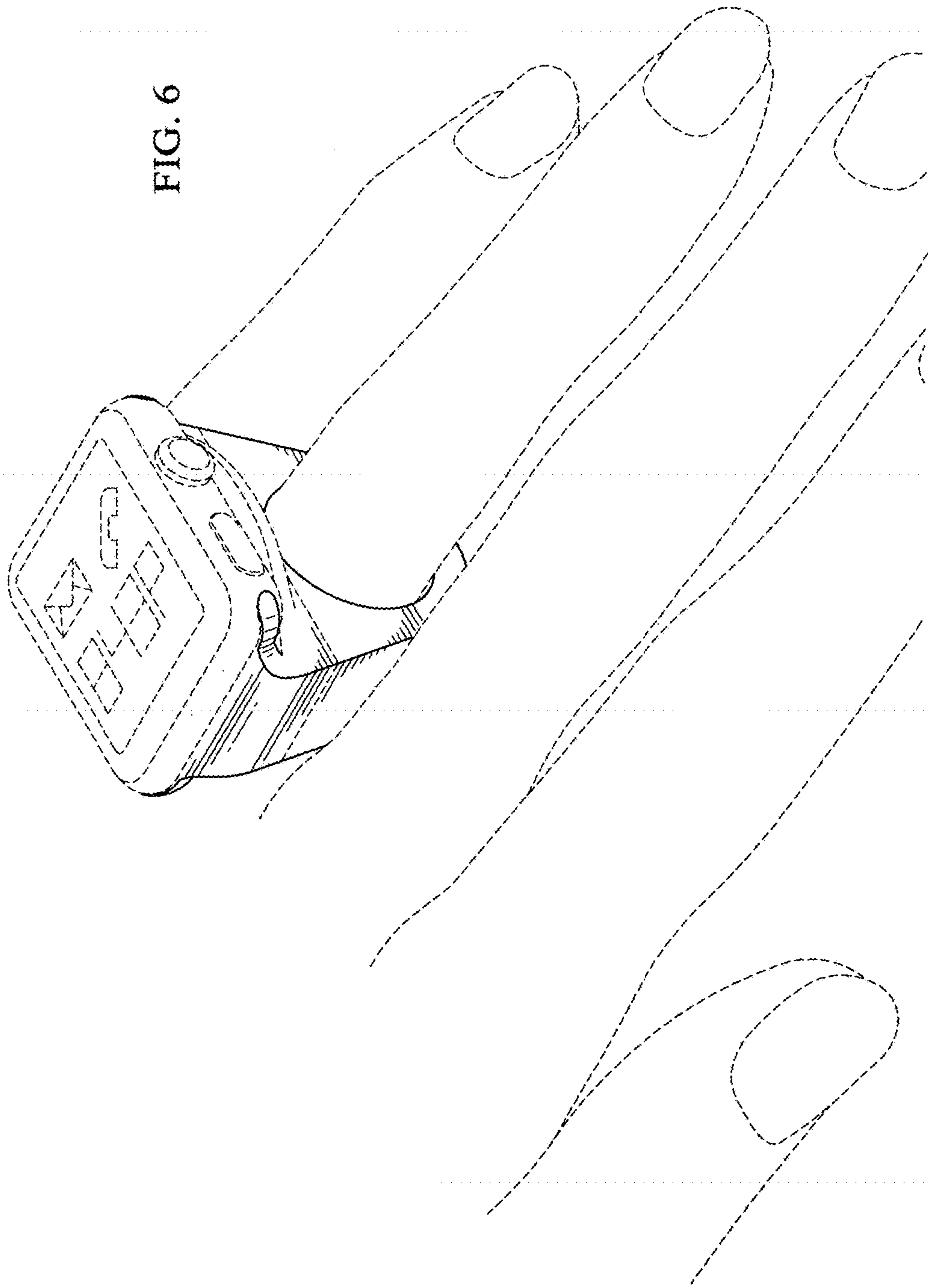


FIG. 7

