



US00D783620S

(12) **United States Design Patent** (10) **Patent No.:** **US D783,620 S**
Ugla et al. (45) **Date of Patent:** **** Apr. 11, 2017**

(54) **COMBINATION ADAPTER AND DATA TRANSMISSION CABLE**

FOREIGN PATENT DOCUMENTS

(71) Applicant: **Zound Industries International AB**, Stockholm (SE)

EM 003141720-0002 * 6/2016
KR 300474085.0000 * 12/2007

(72) Inventors: **Carl Ugla**, Stockholm (SE); **Susanne Bryngelsson**, Stockholm (SE)

OTHER PUBLICATIONS

(73) Assignee: **Zound Industries International AB**, Stockholm (SE)

Deal Extreme. <URL: http://www.dx.com/p/360-degree-rotatable-micro-usb-to-usb-adapter-converter-black-260316#.V-kmo_IVgVs>. Nov. 8, 2013. USB Adapter Converter.*

(**) Term: **15 Years**

Primary Examiner — Bridget L Eland
Assistant Examiner — Lauren McVey

(21) Appl. No.: **29/532,285**

(74) *Attorney, Agent, or Firm* — Alonzo & Associates; Arlyn Alonzo

(22) Filed: **Jul. 3, 2015**

(30) **Foreign Application Priority Data**

Jan. 5, 2015 (EM) 002608315-0001

(57) **CLAIM**

(51) **LOC (10) Cl.** **14-02**

The ornamental design for an combination adapter and data transmission cable, as shown and described.

(52) **U.S. Cl.**
USPC **D14/435.1**

(58) **Field of Classification Search**
USPC D14/435.1, 432, 434, 480.1–480.7, 356, D14/411, 436, 484.1, 203.1–203.8, 357, D14/358, 140–140.9, 155, 137, 139, 243, D14/433, 240, 242; D13/133, 147, 153, D13/154
CPC H04L 12/00; H03K 17/00; H04W 88/00; H04W 88/005; H04W 88/02; H04W 88/08; H04W 88/085; H04W 88/10; H04W 88/12; H04W 88/14; H04B 1/38
See application file for complete search history.

DESCRIPTION

FIG. 1 is a top view of a combination adapter and data transmission cable, showing my new design;
FIG. 2 is a bottom view thereof;
FIG. 3 is a front view thereof;
FIG. 4 is a rear view thereof;
FIG. 5 is a left side view thereof;
FIG. 6 is a right side view thereof;
FIG. 7 is a perspective thereof; and,
FIG. 8 is a perspective view thereof in a folded position.
The design is an adapter/data transmission cable comprising two connecting ends.
The wire frame lines shown in the perspective views are intended to indicate surface contour.

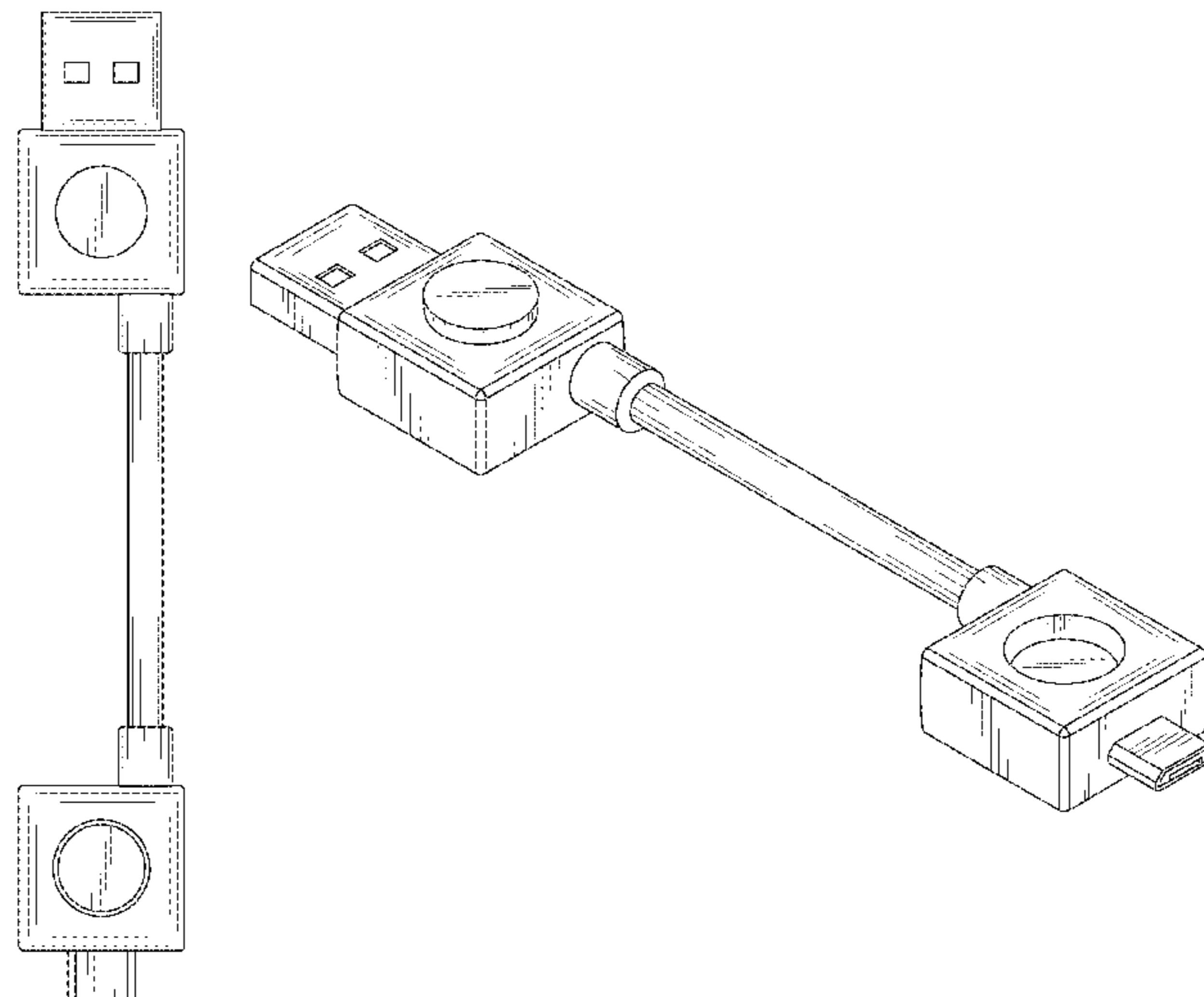
(56) **References Cited**

U.S. PATENT DOCUMENTS

D600,652 S * 9/2009 Hong D13/154
D636,337 S * 4/2011 Smith D13/147
D673,908 S * 1/2013 Koch D13/108
D705,174 S * 5/2014 Wong D13/147

(Continued)

1 Claim, 6 Drawing Sheets



(56)

References Cited

U.S. PATENT DOCUMENTS

D705,175	S	*	5/2014	Chu	D13/147
D706,248	S	*	6/2014	Myung	D14/240
D706,752	S	*	6/2014	Myung	D14/240
D709,032	S	*	7/2014	Akana	D13/147
D730,903	S	*	6/2015	Langhammer	D14/433
D733,142	S	*	6/2015	Solomon	D14/433
D734,272	S	*	7/2015	Dang	D13/153
D743,965	S	*	11/2015	Laffon de Mazieres	D13/154
D760,720	S	*	7/2016	Laffon de Mazieres	D14/433

* cited by examiner

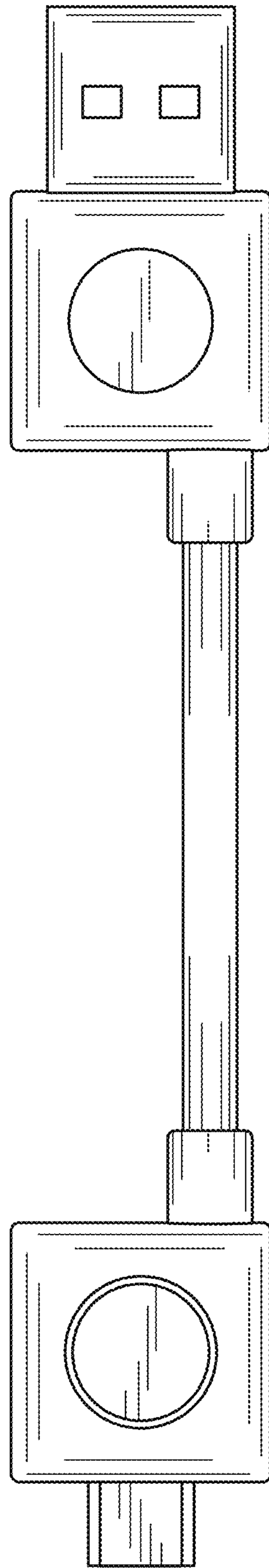


FIG. 1

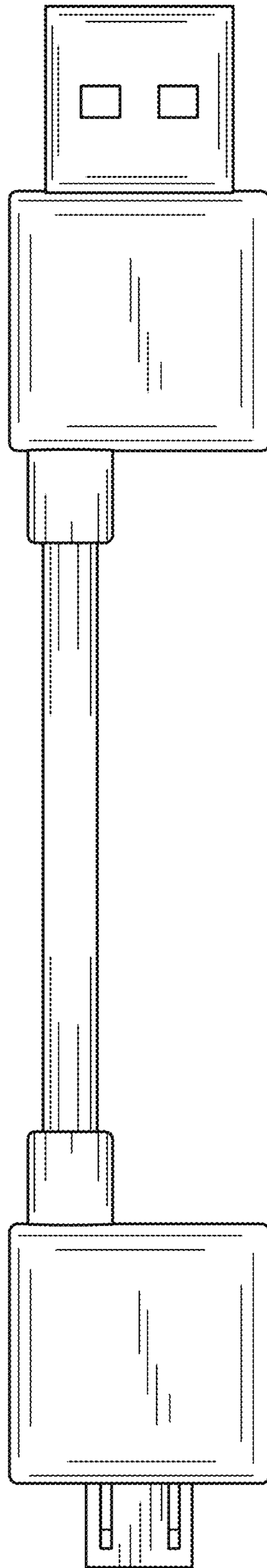


FIG. 2

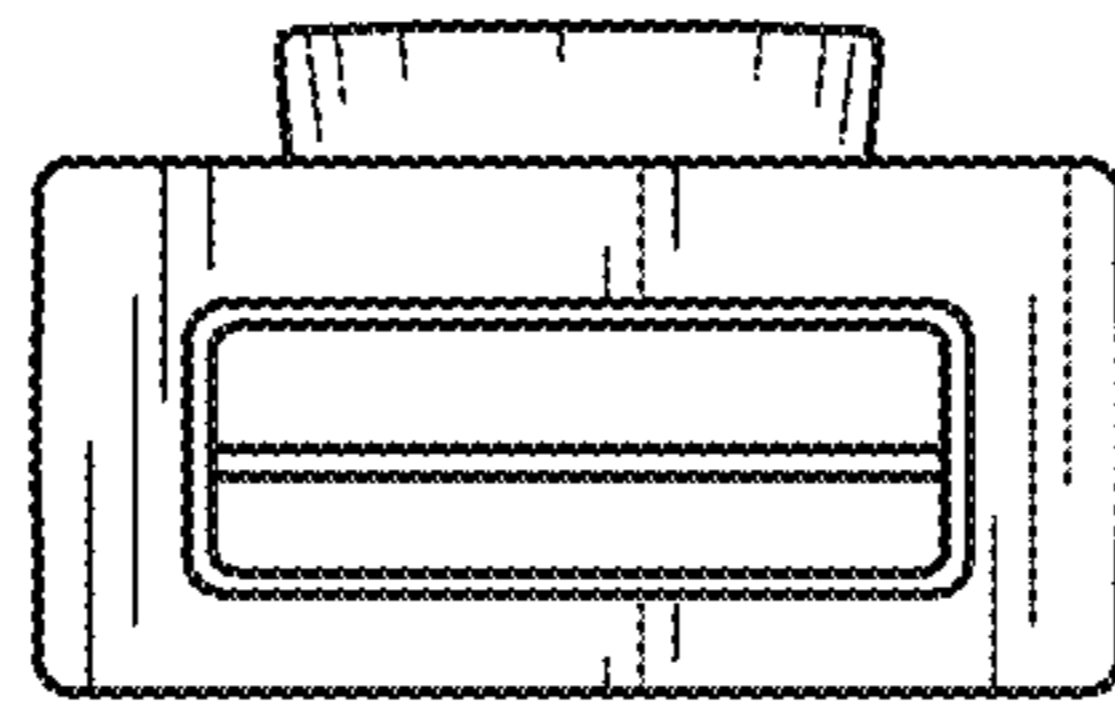


FIG. 3

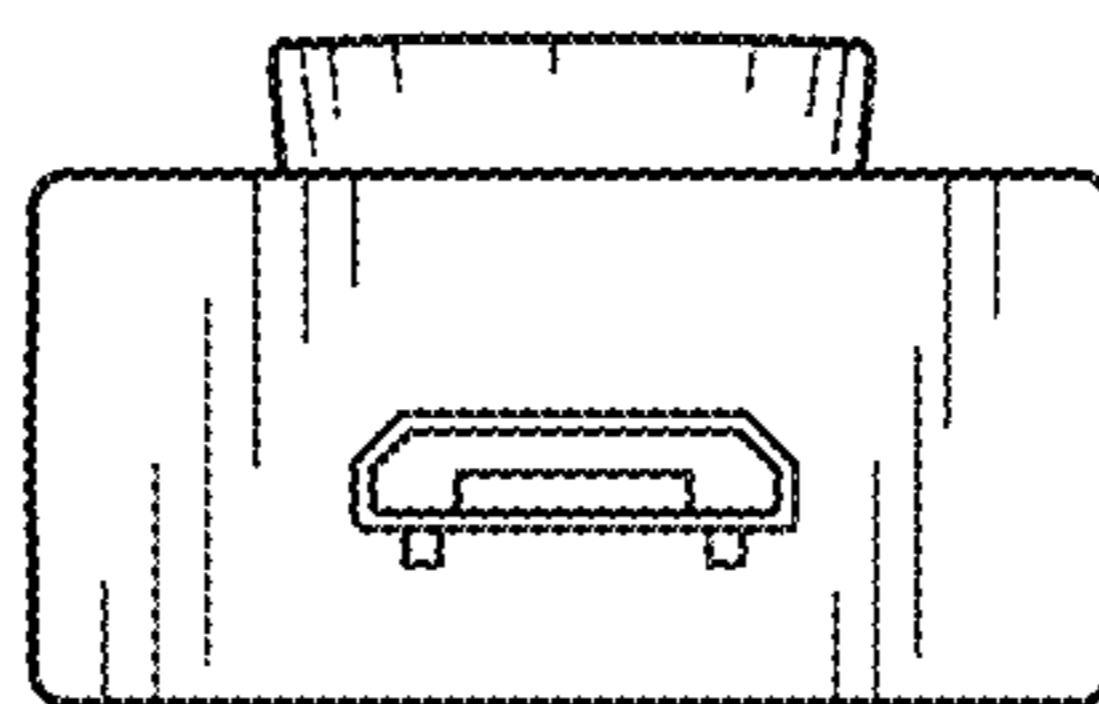


FIG. 4

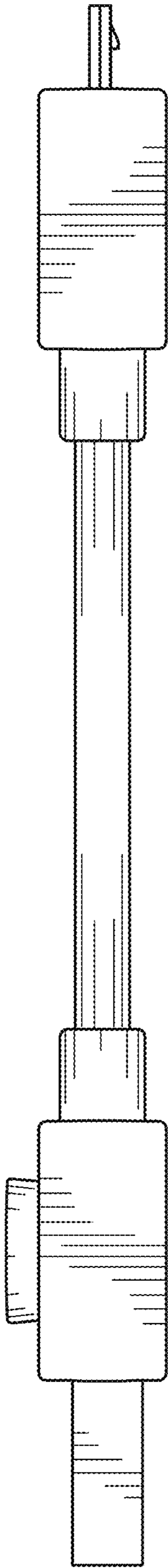


FIG. 5

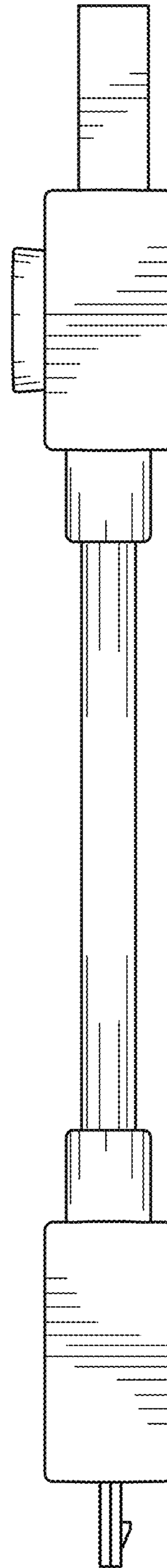


FIG. 6

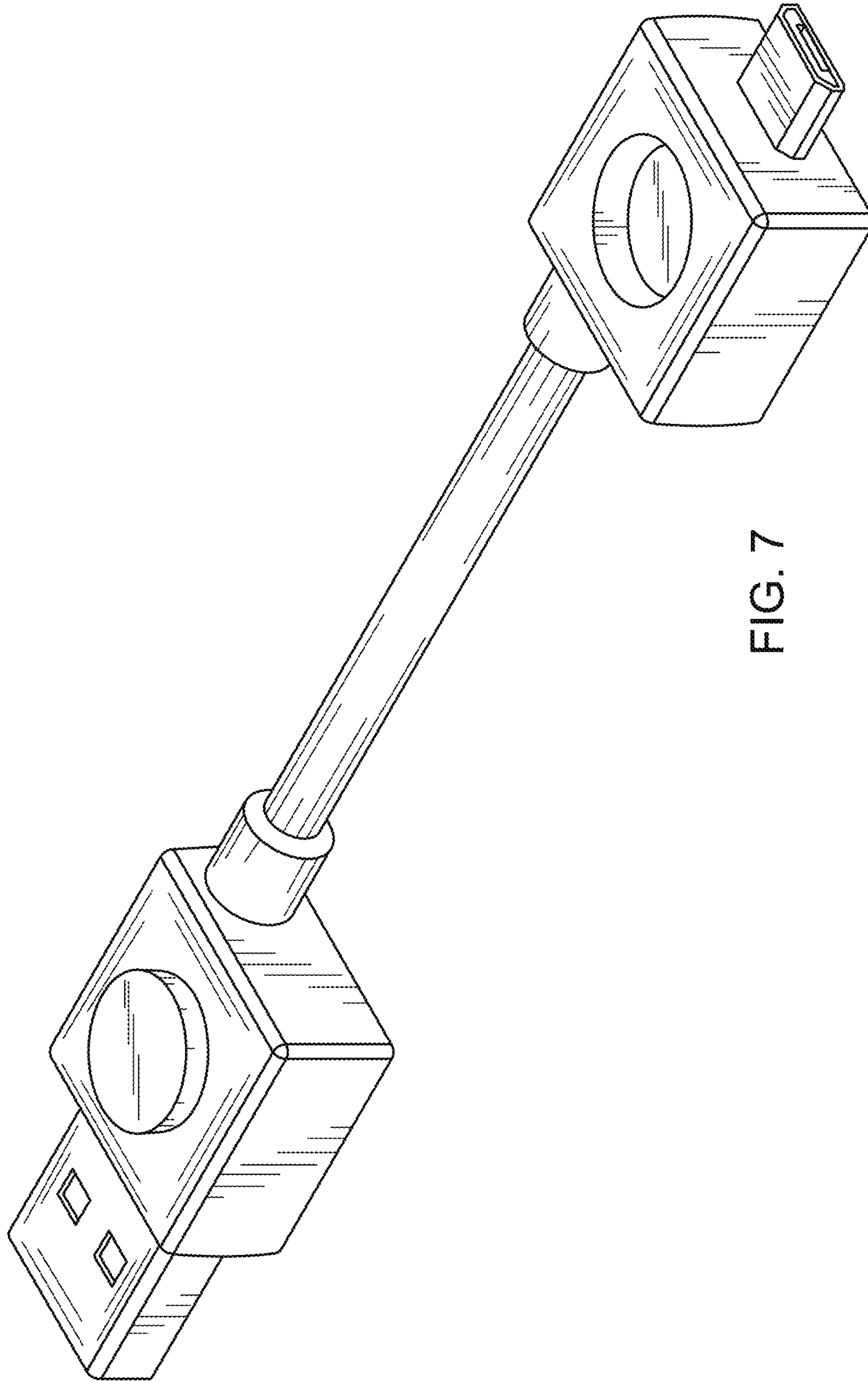


FIG. 7

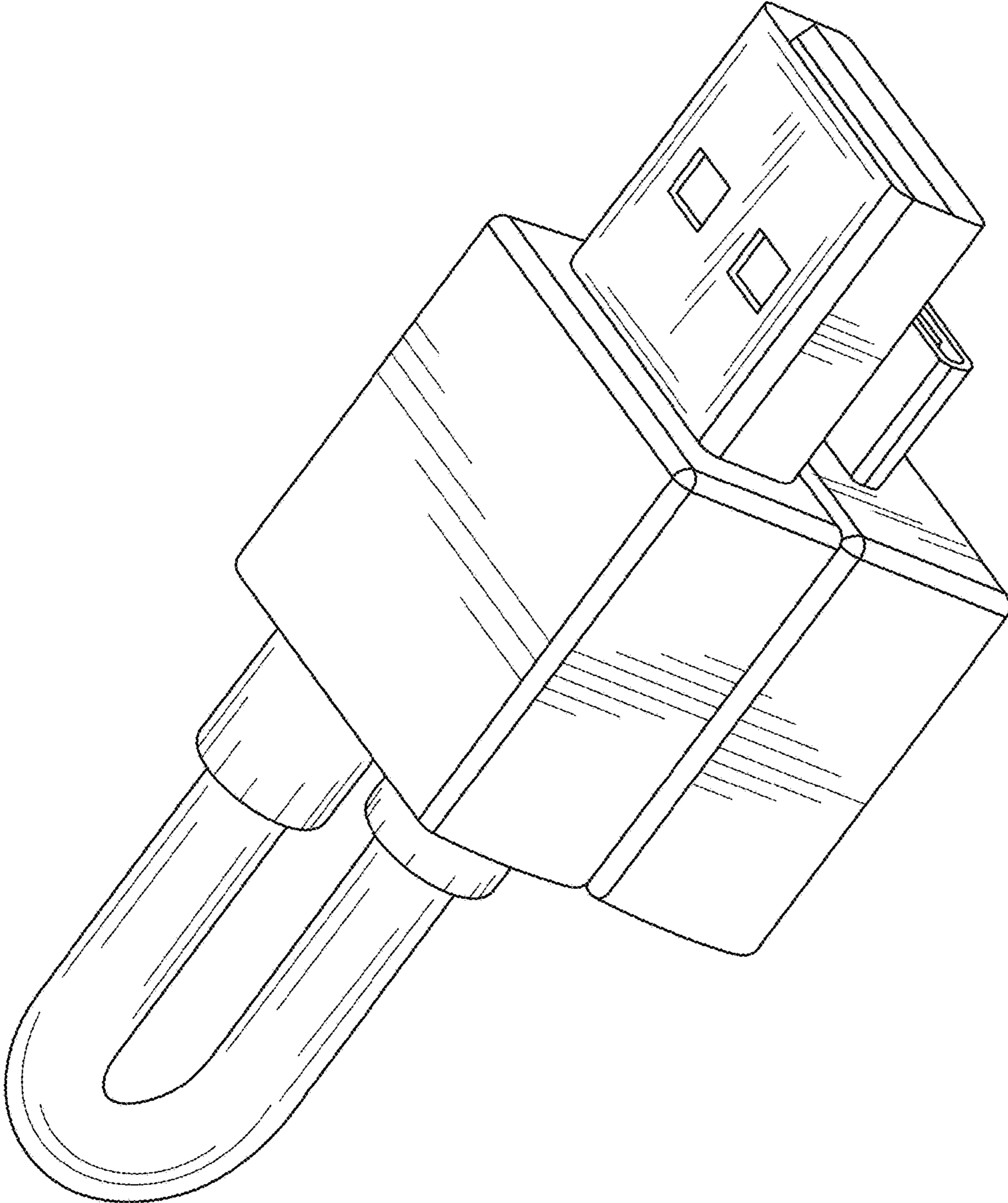


FIG. 8