



US00D783619S

(12) **United States Design Patent** (10) **Patent No.:** **US D783,619 S**  
**Couture et al.** (45) **Date of Patent:** **\*\* Apr. 11, 2017**

(54) **NETWORK HUB**

(71) Applicant: **ARTIKA FOR LIVING INC.**, Dorval, Quebec (CA)

(72) Inventors: **Marc Couture**, Lachine (CA); **Dave Morneau**, Mont St-Hilaire (CA); **Oliver Bradley**, Montreal (CA)

(73) Assignee: **ARTIKA FOR LIVING INC.**, Montreal (CA)

(\*\*) Term: **15 Years**

(21) Appl. No.: **29/563,071**

(22) Filed: **May 2, 2016**

(30) **Foreign Application Priority Data**

Nov. 5, 2015 (CA) ..... 165176

(51) **LOC (10) Cl.** ..... **04-03**

(52) **U.S. Cl.**  
USPC ..... **D14/433**

(58) **Field of Classification Search**

USPC .... D14/125, 138 C, 138 R, 140.1, 155, 159, D14/167, 230, 231, 232, 233, 234, 235, D14/236, 237, 238, 240, 242, 243, 299, D14/348, 349, 351, 353, 354, 355, 356, D14/357, 358, 367, 385, 433, 435, 436,  
(Continued)

(56) **References Cited**

U.S. PATENT DOCUMENTS

D548,731 S \* 8/2007 Liu ..... D14/240  
D598,013 S \* 8/2009 Ju ..... D14/240  
(Continued)

*Primary Examiner* — Robert M Spear  
*Assistant Examiner* — John Voytek

(74) *Attorney, Agent, or Firm* — Brouillette Legal Inc.; Damien Calvet

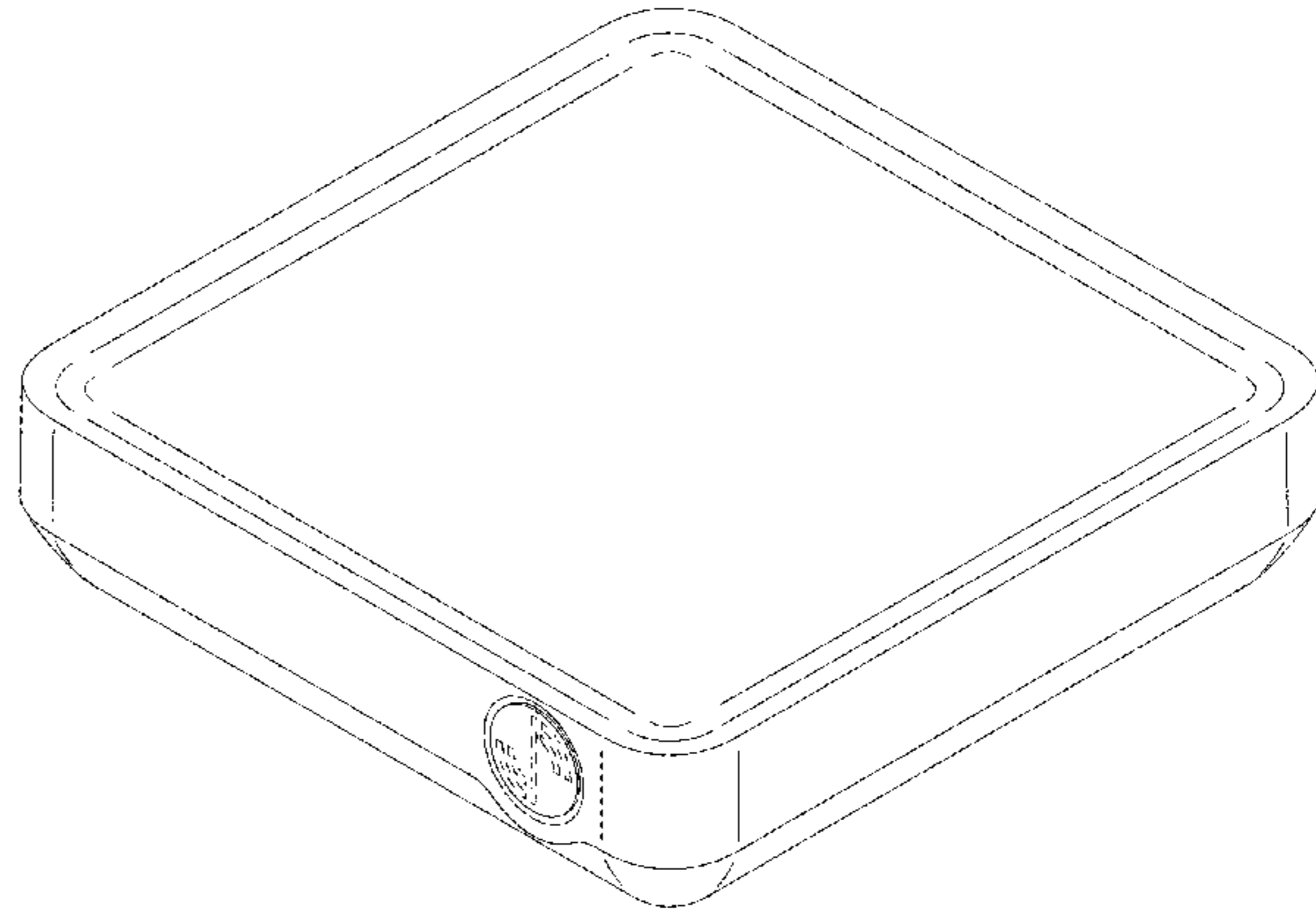
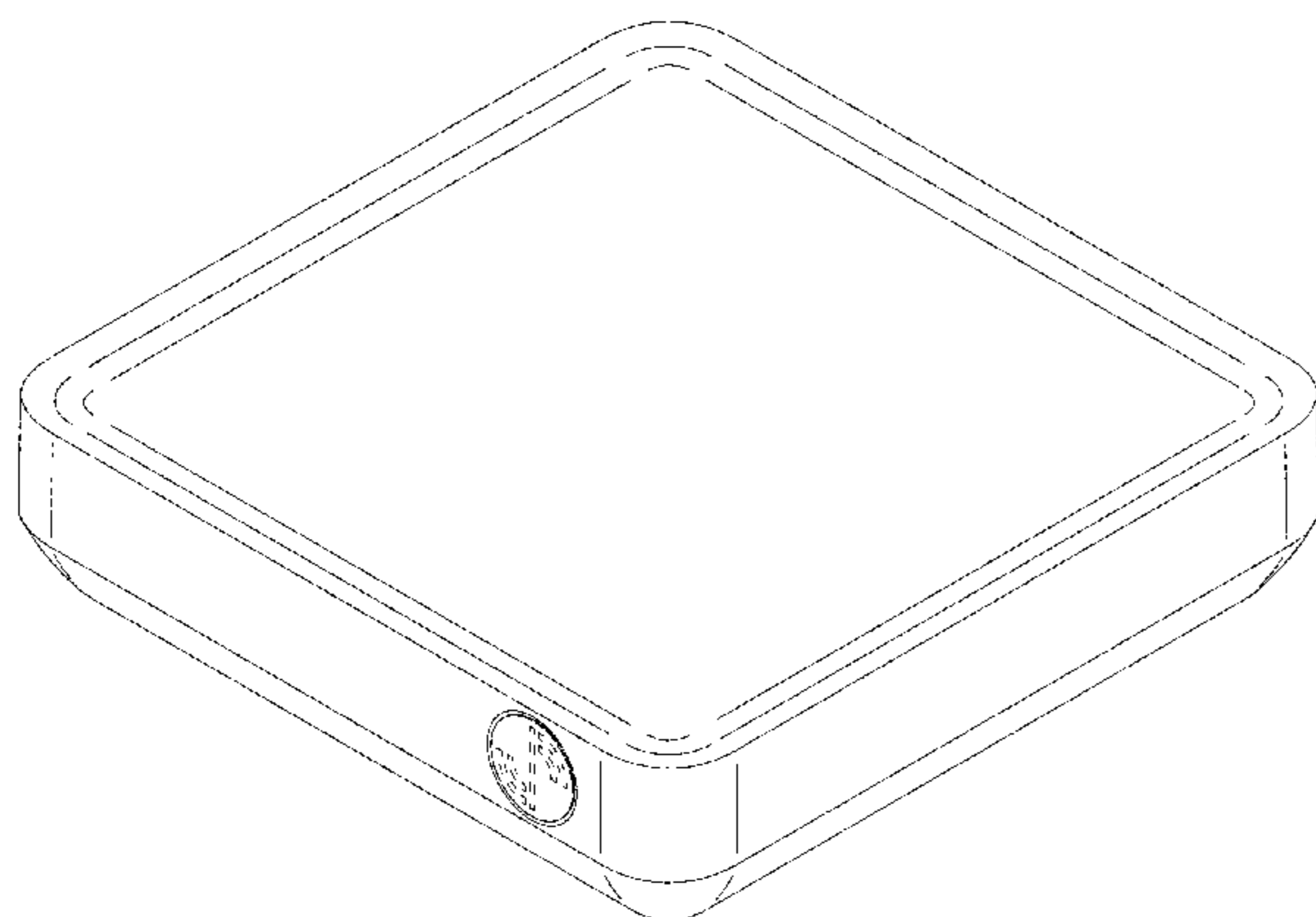
(57) **CLAIM**

The ornamental design for a network hub, as shown and described.

**DESCRIPTION**

FIG. 1 is a perspective view of the first embodiment of a network hub;  
FIG. 2 is a left side elevation view of the first embodiment of the network hub;  
FIG. 3 is a front elevation view of the first embodiment of the network hub;  
FIG. 4 is a right side elevation view of the first embodiment of the network hub;  
FIG. 5 is a rear elevation view of the first embodiment of the network hub;  
FIG. 6 is a top plan view of the first embodiment of the network hub;  
FIG. 7 is a bottom plan view of the first embodiment of the network hub;  
FIG. 8 is a perspective view of the second embodiment of a network hub;  
FIG. 9 is a left side elevation view of the second embodiment of the network hub;  
FIG. 10 is a front elevation view of the second embodiment of the network hub;  
FIG. 11 is a right side elevation view of the second embodiment of the network hub;  
FIG. 12 is a rear elevation view of the second embodiment of the network hub;  
FIG. 13 is a top plan view of the second embodiment of the network hub; and,  
FIG. 14 is a bottom plan view of the second embodiment of the network hub.  
The broken lines are for environmental purposes only and form no part of the claimed design.

**1 Claim, 14 Drawing Sheets**



(58) **Field of Classification Search**

USPC ..... D14/474, 480, 496; D13/123, 184;  
D10/75, 104.1

See application file for complete search history.

(56) **References Cited**

U.S. PATENT DOCUMENTS

D648,689 S	*	11/2011	Mehlsen .....	D14/125
D662,904 S	*	7/2012	Wu .....	D14/125
D705,201 S	*	5/2014	Isaacs .....	D14/240
D729,216 S	*	5/2015	Peng .....	D14/240
D732,512 S	*	6/2015	Fariello .....	D14/230
D742,856 S	*	11/2015	Skjoldborg .....	D14/217
D743,962 S	*	11/2015	Ikeda .....	D14/348
D753,100 S	*	4/2016	Magi .....	D14/300
D756,338 S	*	5/2016	Jou .....	D14/242

\* cited by examiner

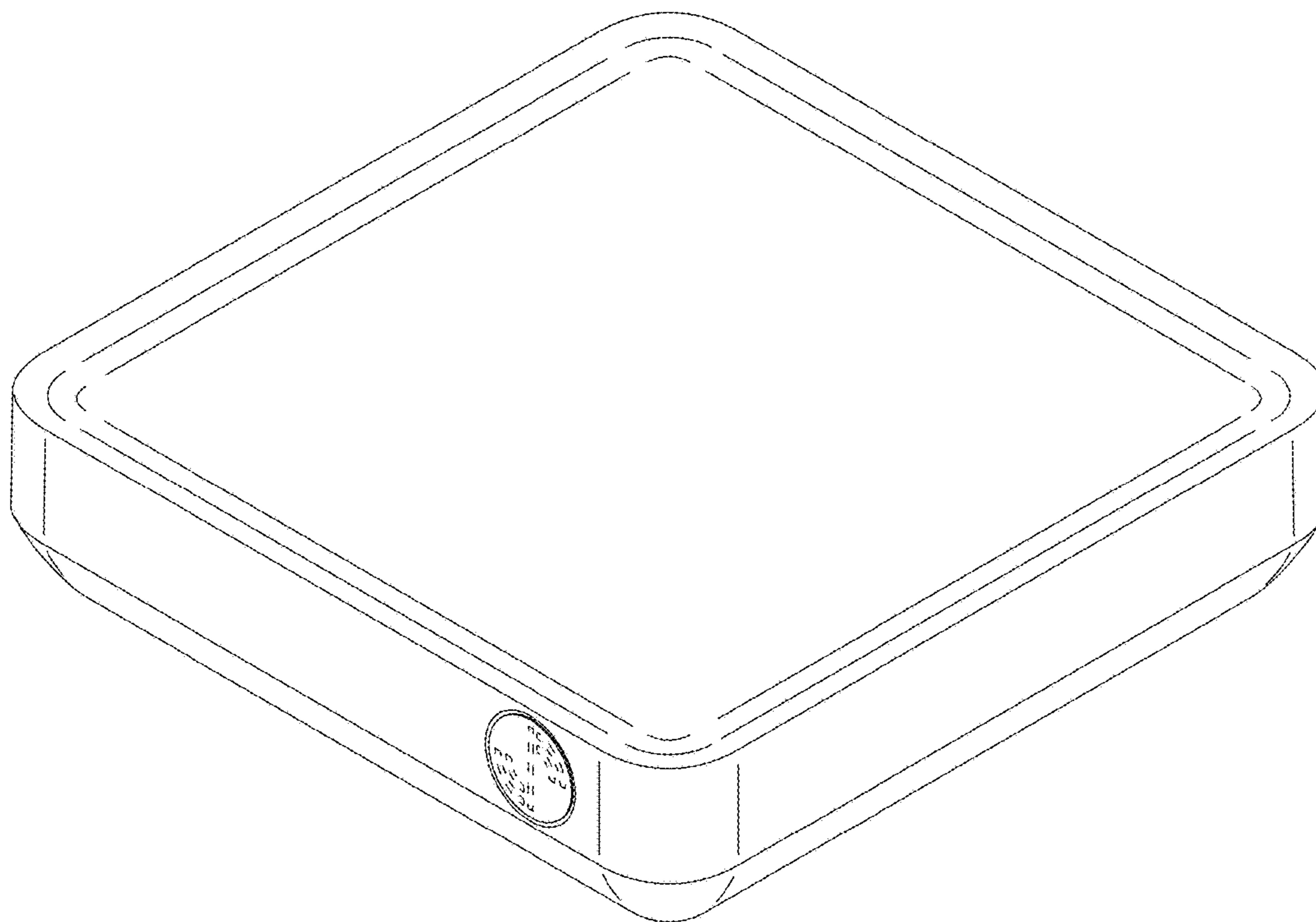
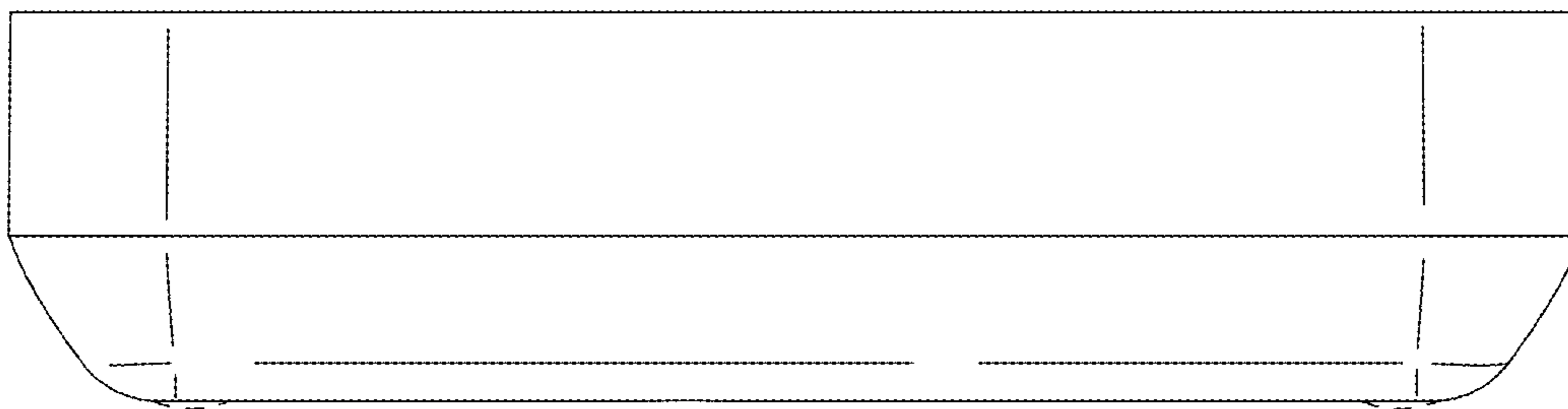


FIG. 1



*FIG. 2*

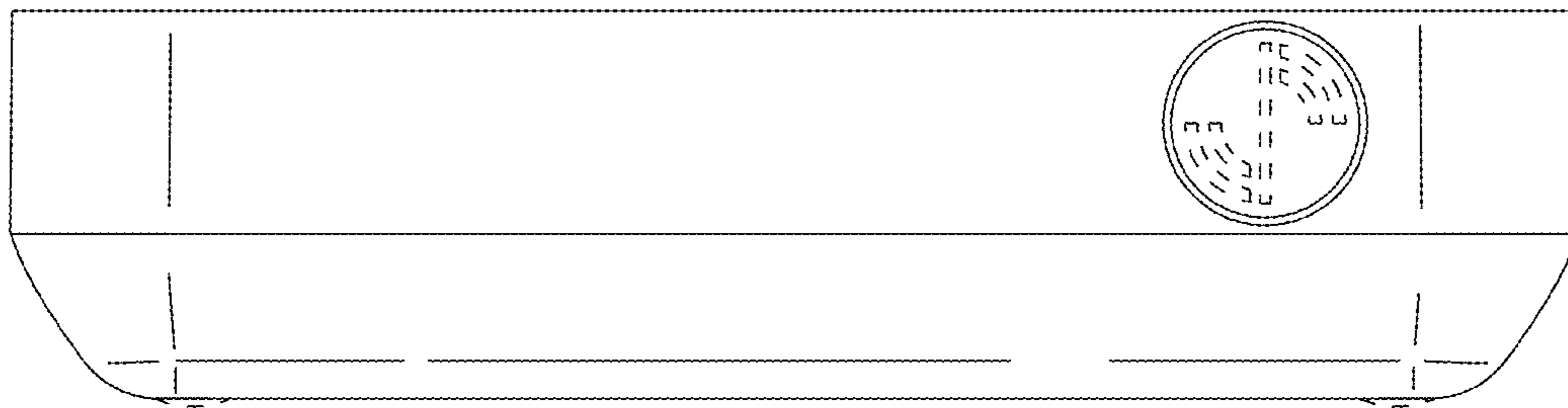
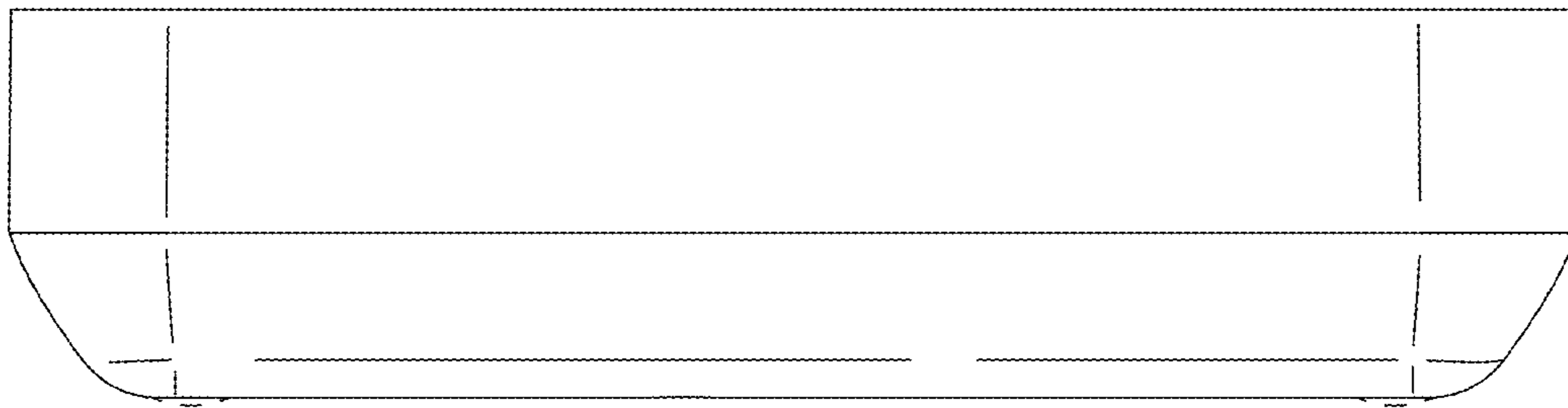


FIG. 3



*FIG. 4*

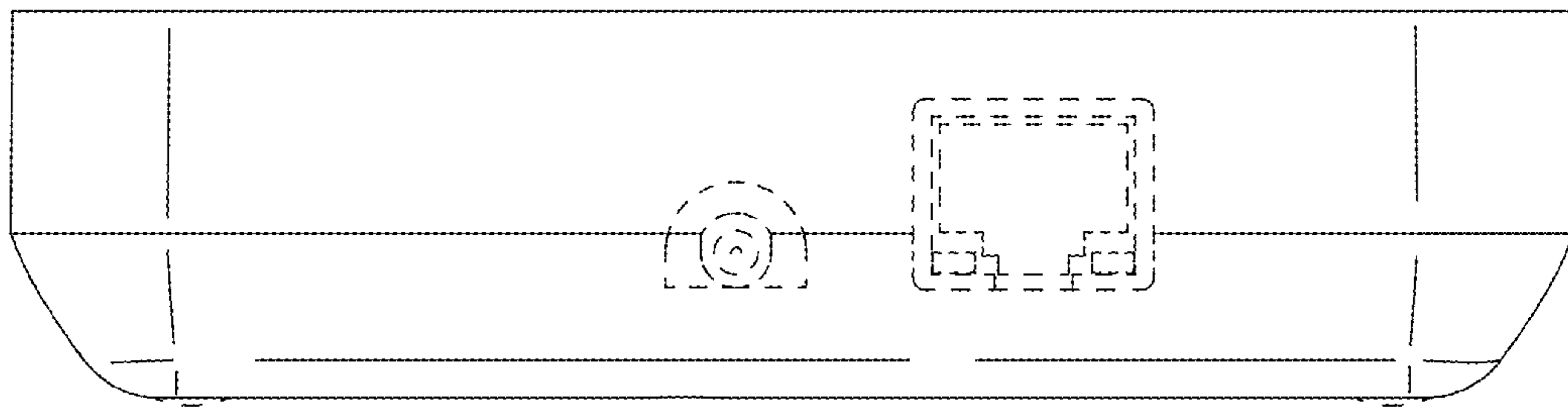
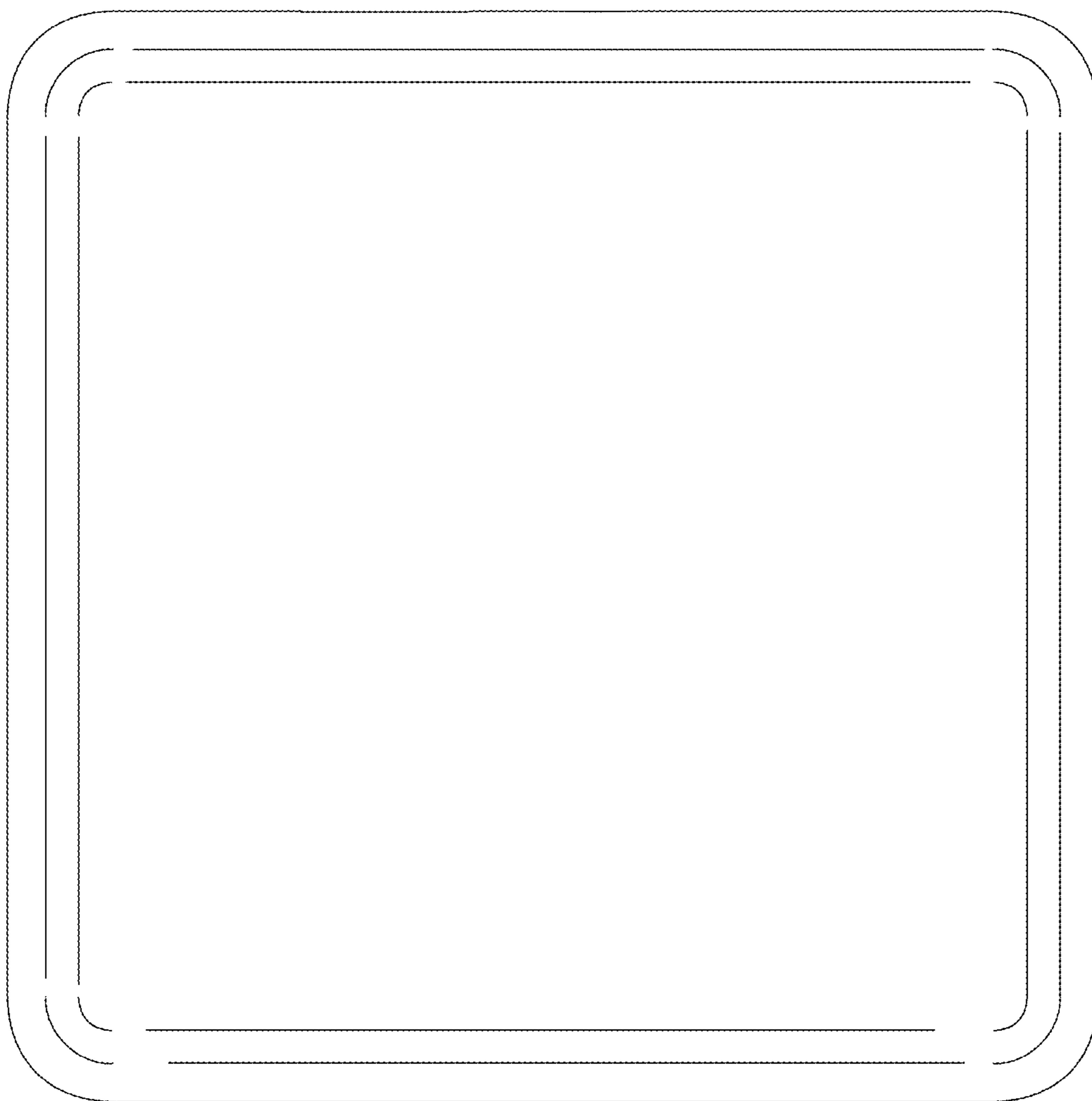


FIG. 5



*FIG. 6*



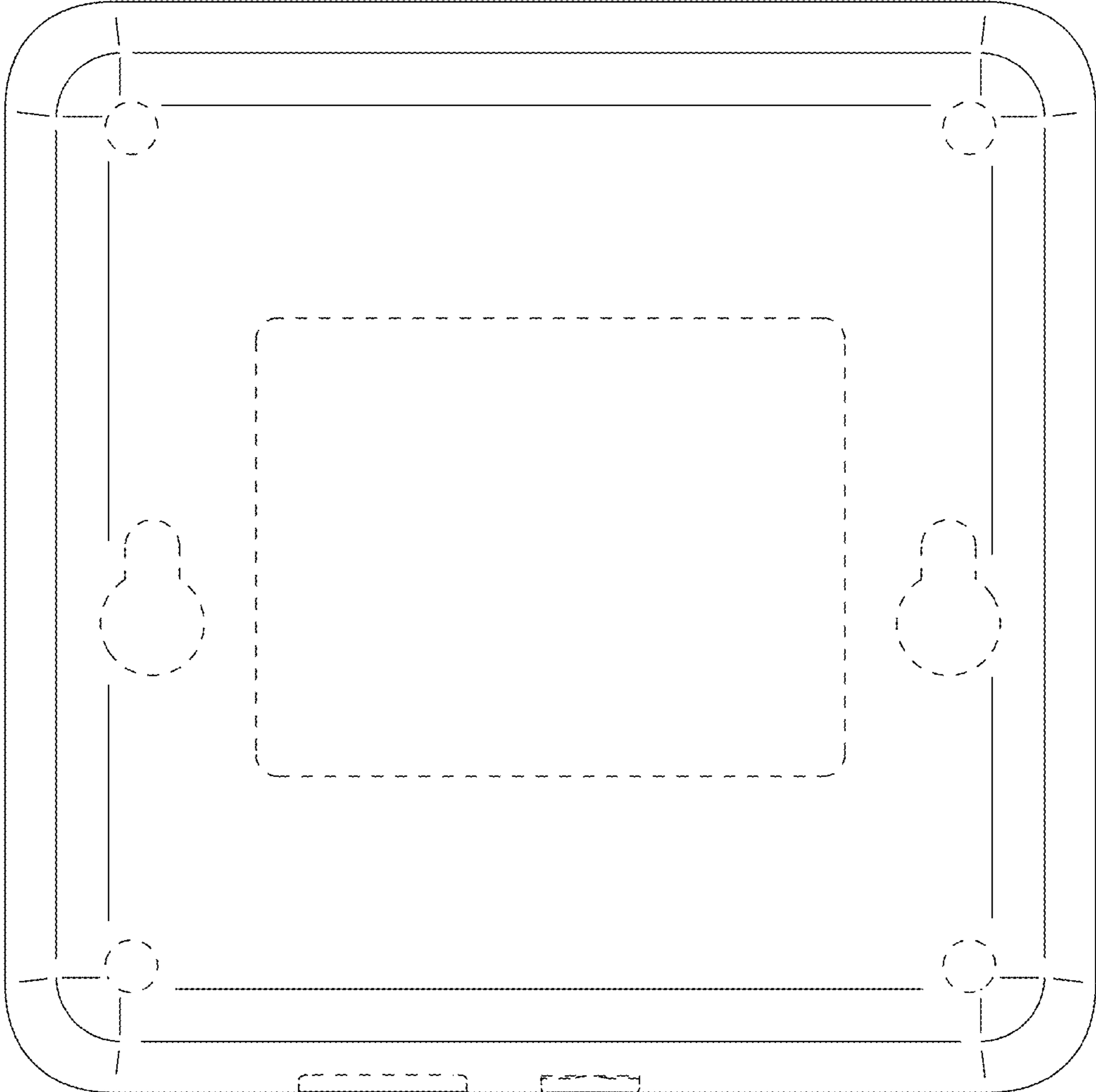


FIG. 7

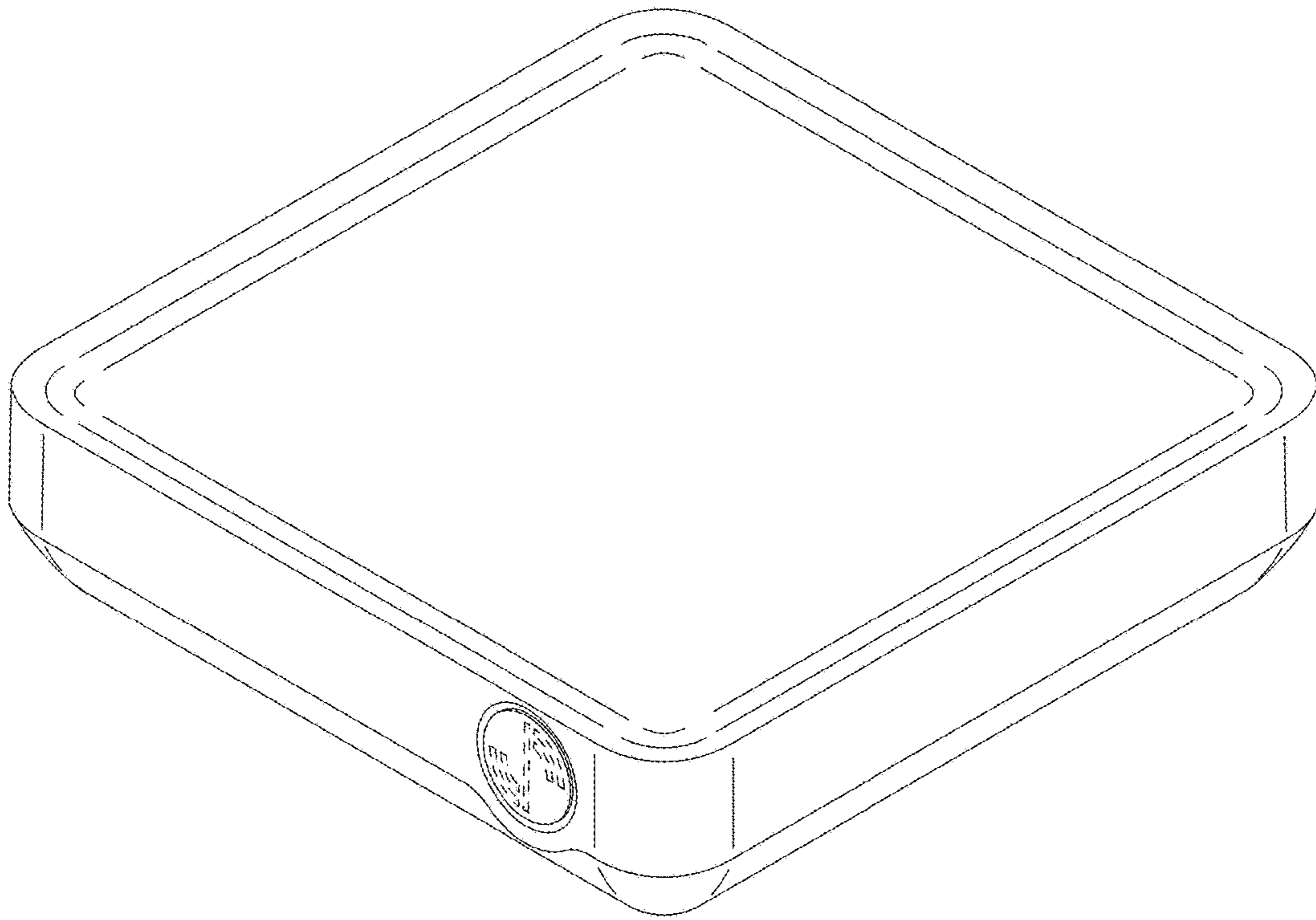
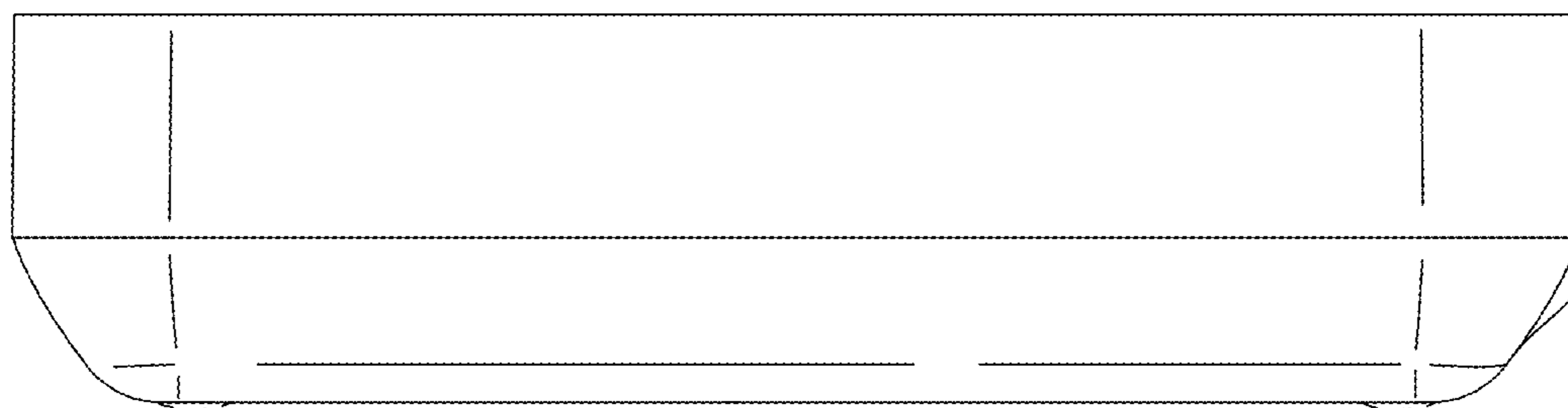
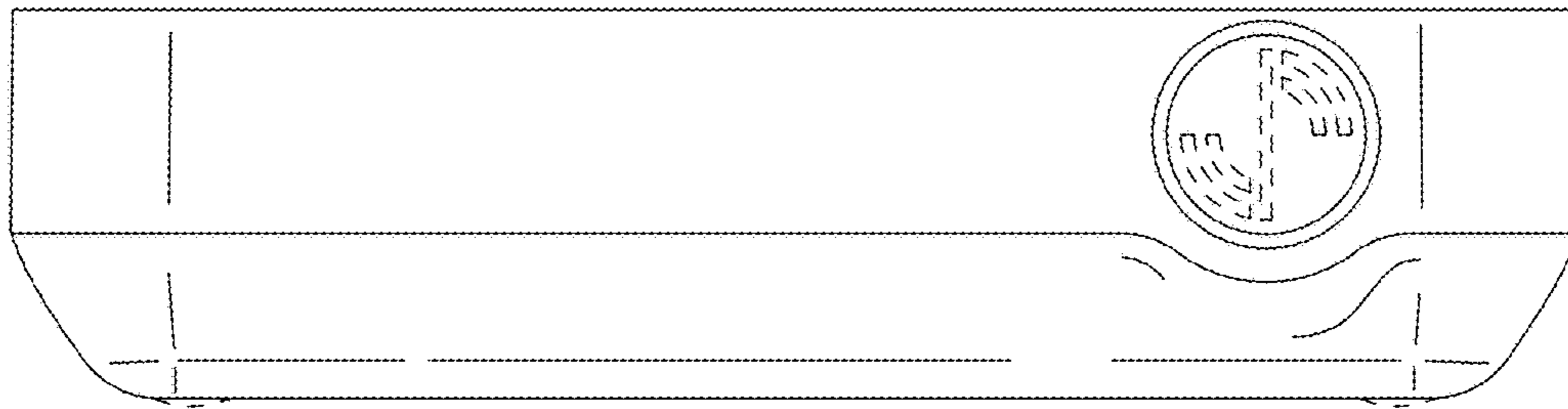


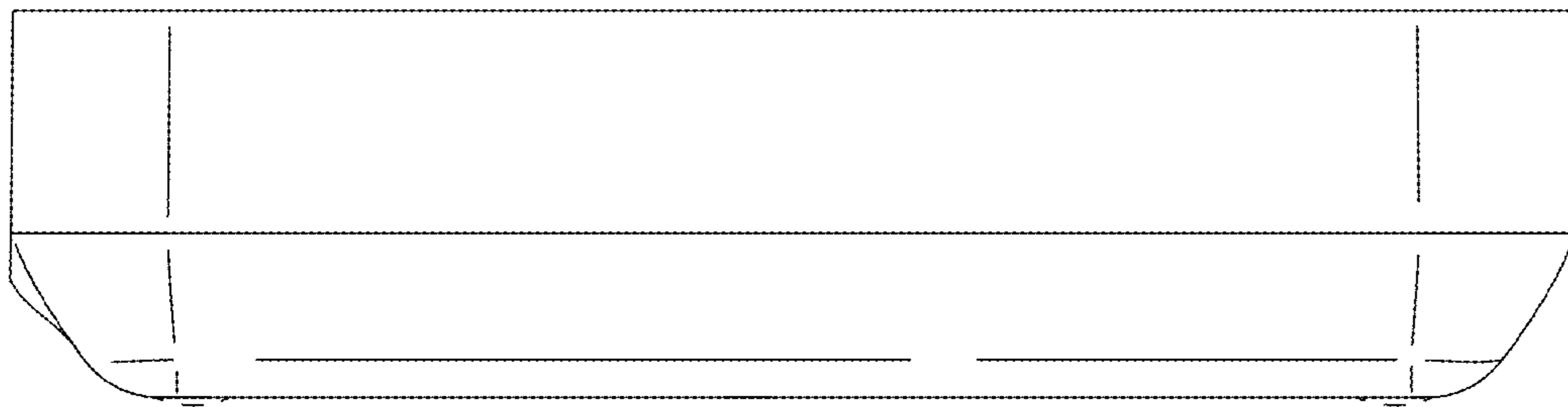
FIG. 8



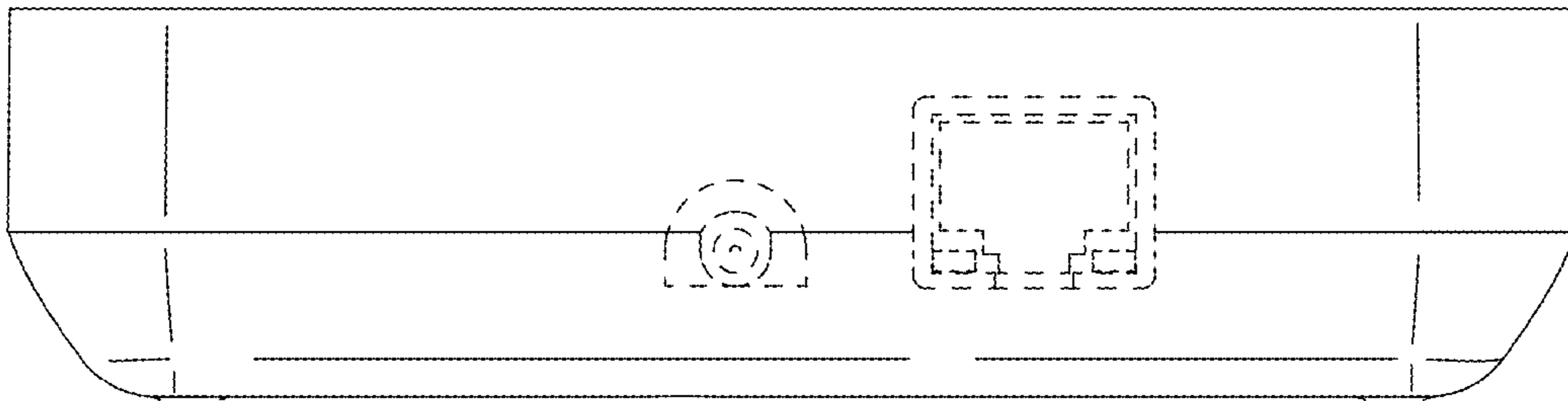
*FIG. 9*



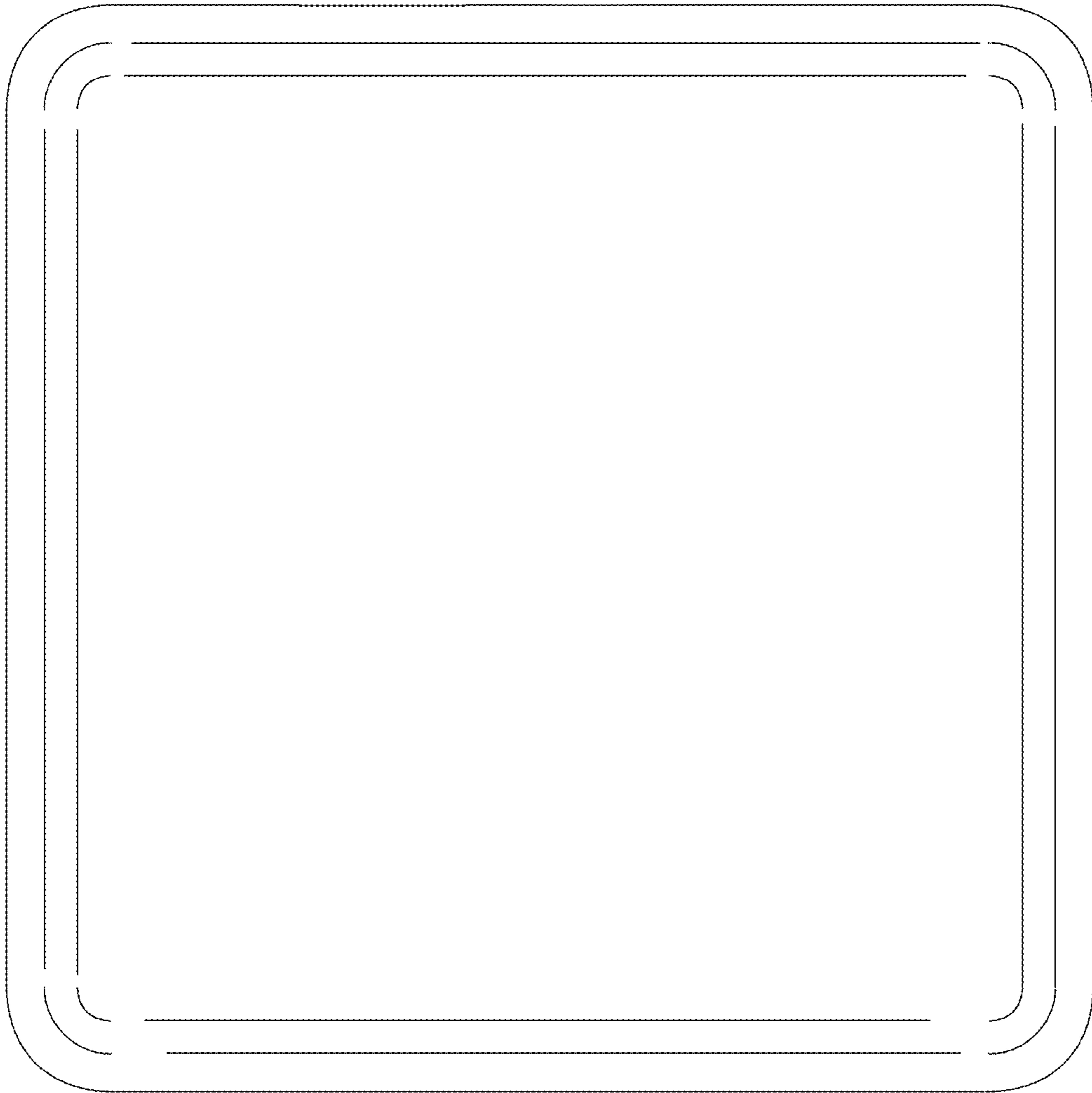
*FIG. 10*



*FIG. 11*



*FIG. 12*



*FIG. 13*

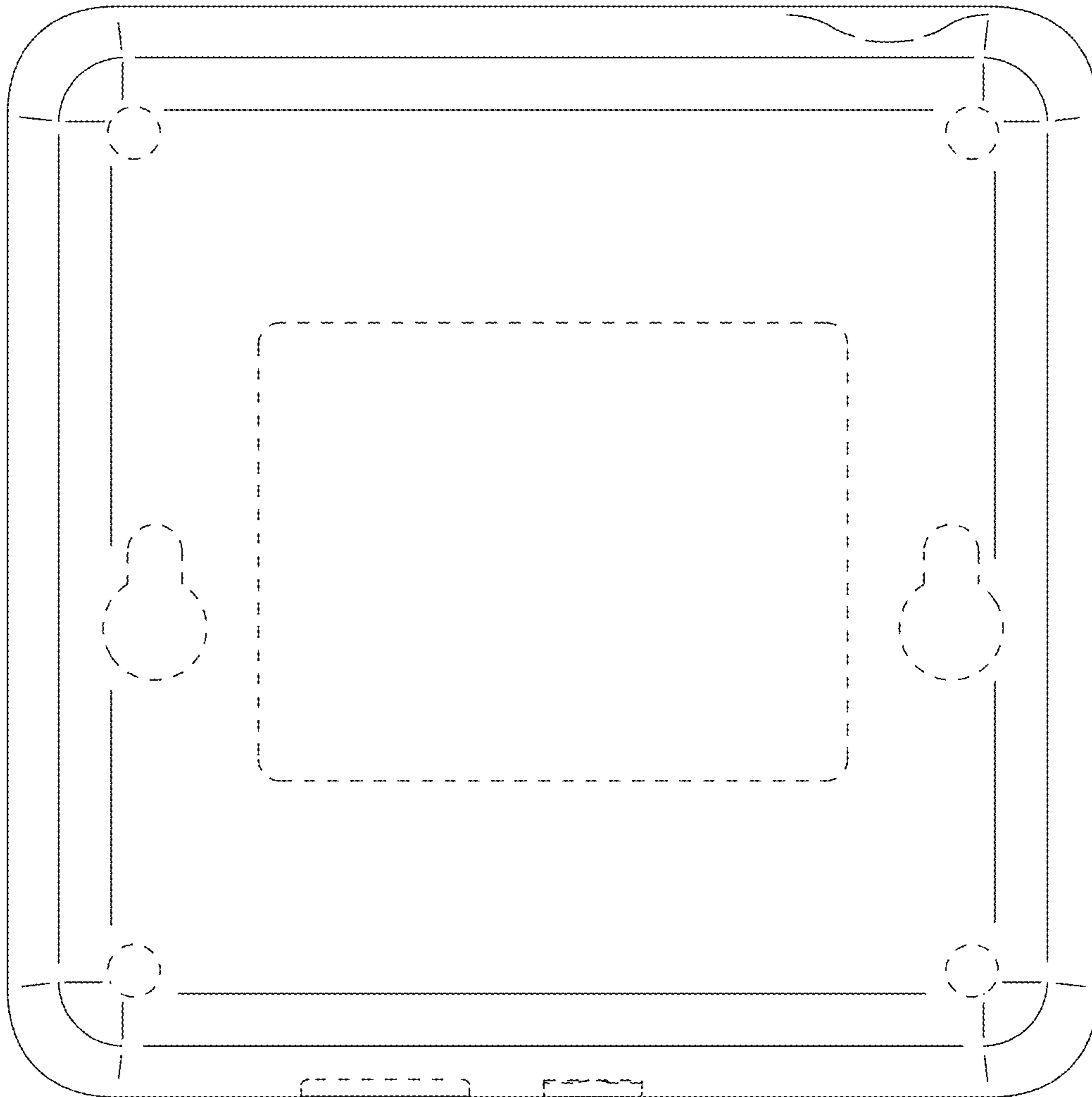


FIG. 14