



US00D783618S

(12) **United States Design Patent**
Wu et al.

(10) **Patent No.:** **US D783,618 S**

(45) **Date of Patent:** **** Apr. 11, 2017**

(54) **PART OF AN OPTICAL FIBER CONNECTOR**

(71) Applicant: **ADVANCED-CONNECTEK INC.,**
New Taipei (TW)

(72) Inventors: **Chun-Hsiung Wu,** New Taipei (TW);
Chin-Huang Chiu, New Taipei (TW)

(73) Assignee: **ADVANCED-CONNECTEK INC.,**
New Taipei (TW)

(**) Term: **15 Years**

(21) Appl. No.: **29/553,510**

(22) Filed: **Feb. 2, 2016**

(30) **Foreign Application Priority Data**

Aug. 12, 2015 (TW) 104304373

(51) **LOC (10) Cl.** **14-02**

(52) **U.S. Cl.**
USPC **D14/433; D13/133**

(58) **Field of Classification Search**
USPC D14/356, 432-434, 453, 454, 511, 203.8,
D14/209.1, 238.1, 240, 125; 439/638,
439/928, 105, 502; 710/303, 304;
361/679.41, 679.55, 679.56; D13/110,
D13/133, 146

CPC G06Q 20/202; G06Q 20/322; G06Q 20/32;
G06Q 20/20; G06Q 20/327

See application file for complete search history.

(56) **References Cited**

U.S. PATENT DOCUMENTS

D374,663 S * 10/1996 Rodrigues D14/433
D467,553 S * 12/2002 Cheng D13/154

D619,100 S * 7/2010 Larson D13/154
D643,841 S * 8/2011 Lyford D13/133
D651,171 S * 12/2011 Yamauchi D13/133
D670,652 S * 11/2012 Chen D13/133
D673,501 S * 1/2013 Yang D13/133
D673,502 S * 1/2013 Zhong D13/133
D676,384 S * 2/2013 Yang D13/133
D680,075 S * 4/2013 Yang D13/133
D701,509 S * 3/2014 DeGiovine D14/433
D705,168 S * 5/2014 Yamauchi D13/133
D705,169 S * 5/2014 Yamauchi D13/133
D768,636 S * 10/2016 Sato D14/433

* cited by examiner

Primary Examiner — Austin Murphy

(74) *Attorney, Agent, or Firm* — Muncy, Geissler, Olds & Lowe, P.C.

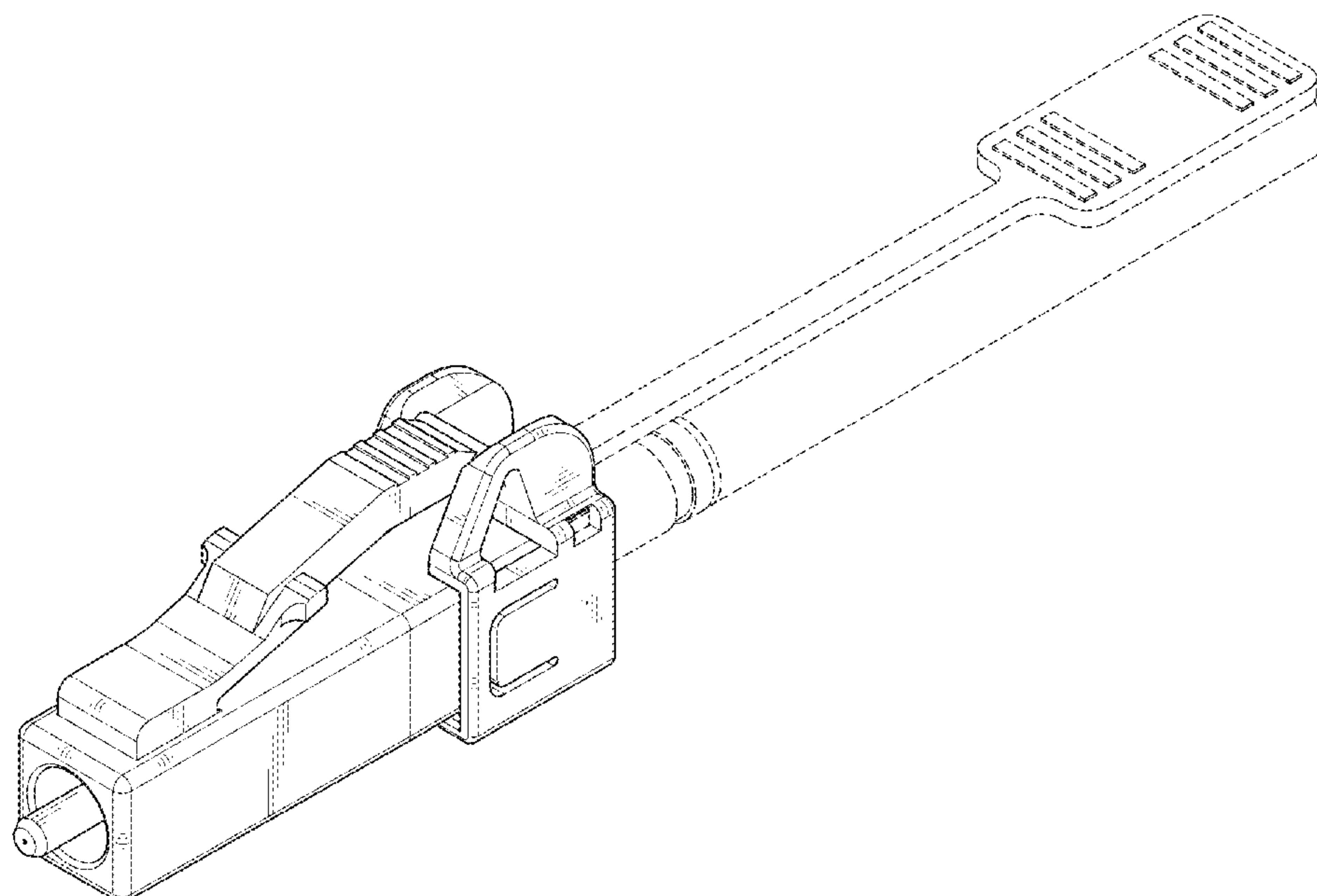
(57) **CLAIM**

The ornamental design for a part of an optical fiber connector, as shown and described.

DESCRIPTION

FIG. 1 is a top perspective view of a part of an optical fiber connector showing my new design;
FIG. 2 is a front elevational view thereof;
FIG. 3 is a rear elevational view thereof;
FIG. 4 is a left side elevational view thereof;
FIG. 5 is a right side elevational view thereof;
FIG. 6 is a top plan view thereof;
FIG. 7 is a bottom plan view thereof; and,
FIG. 8 is another perspective view thereof.
The broken lines form no part of the claimed design.

1 Claim, 8 Drawing Sheets



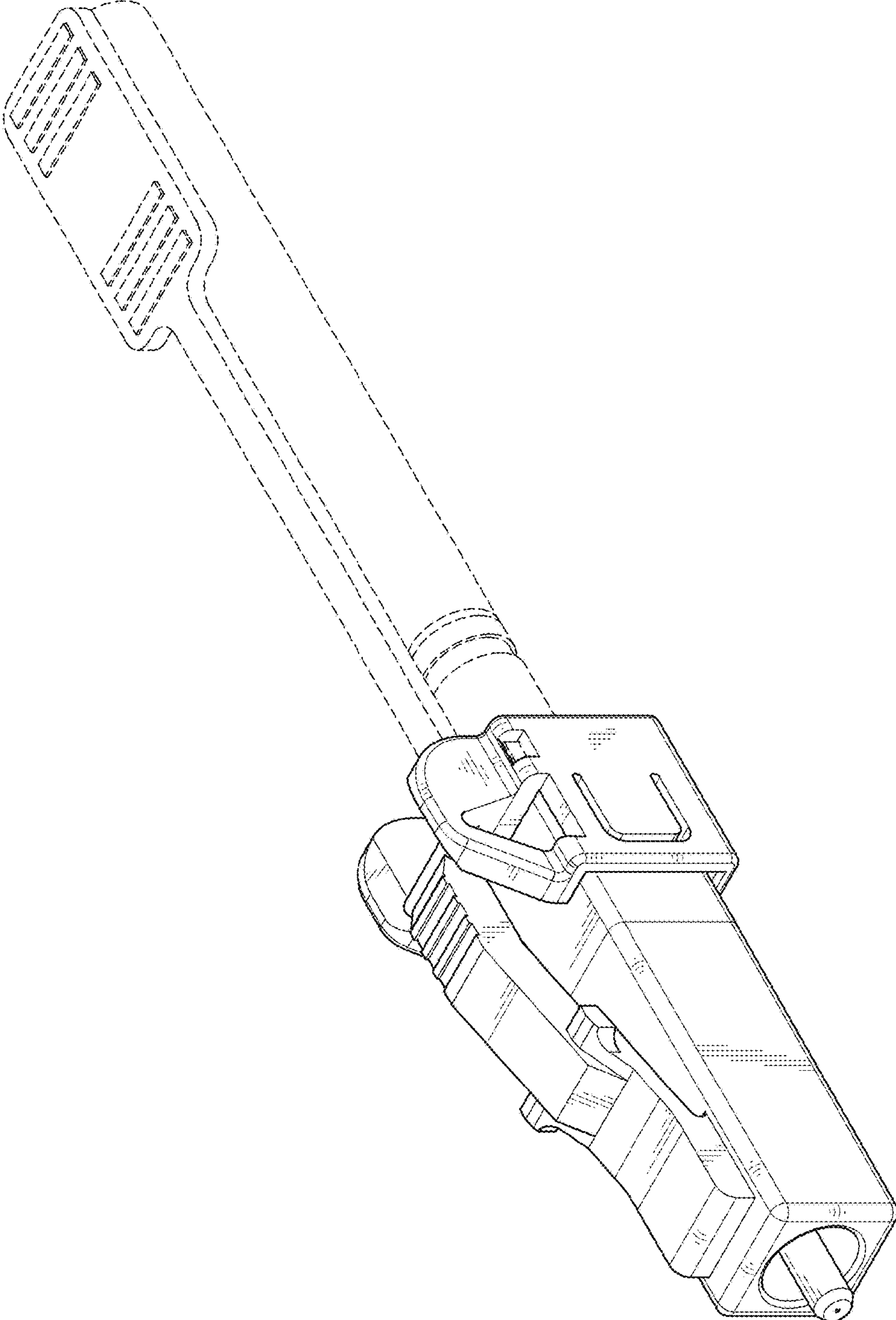


FIG. 1

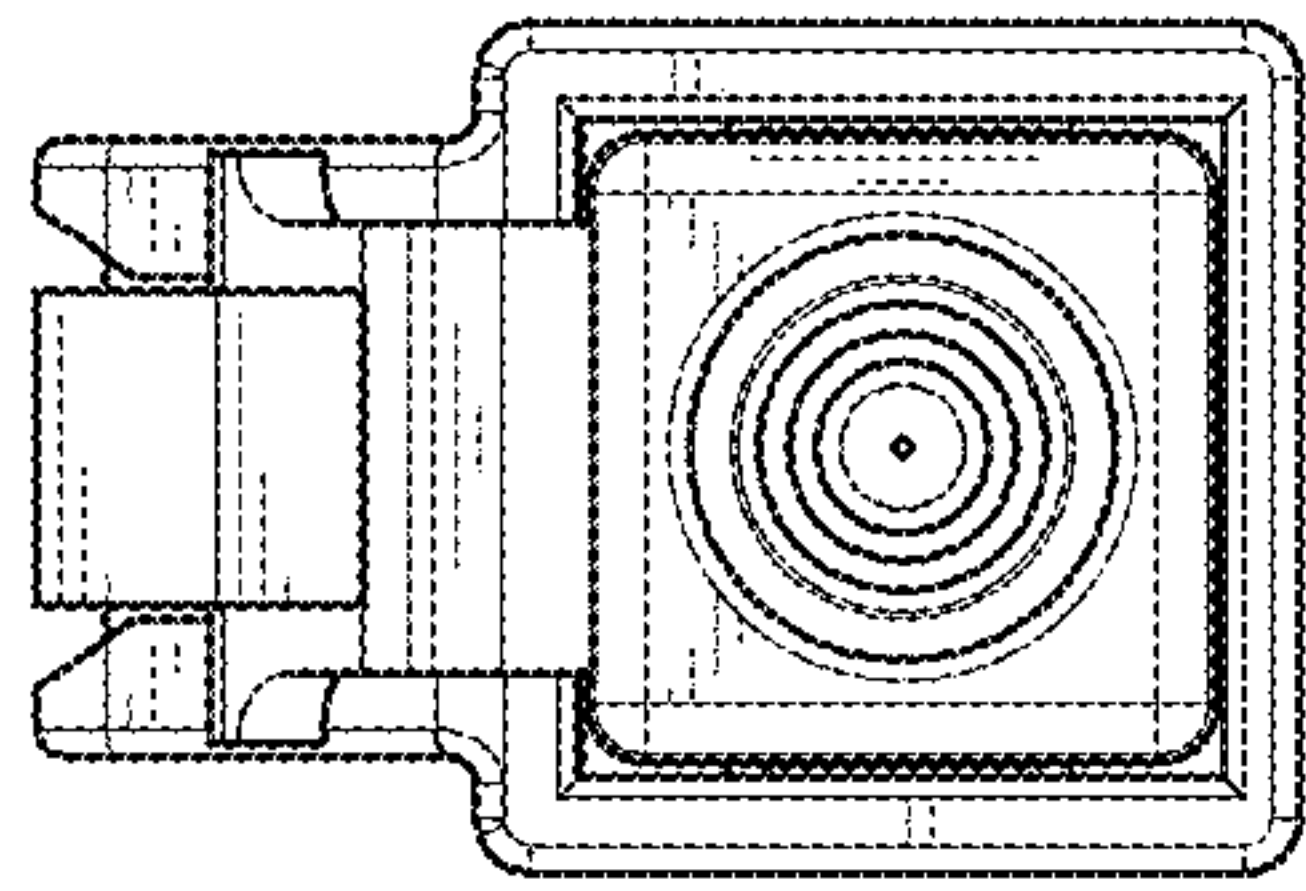


FIG. 2

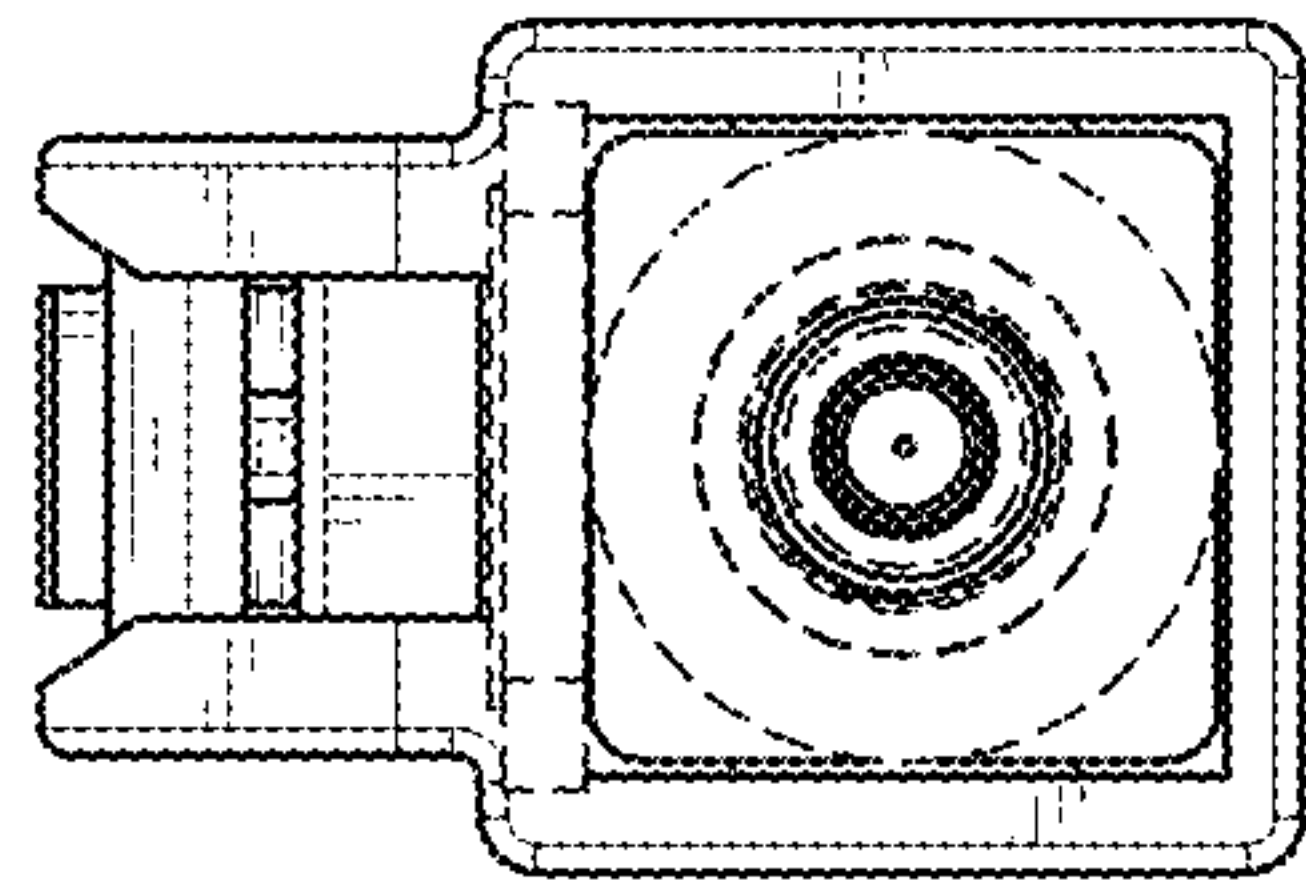


FIG. 3

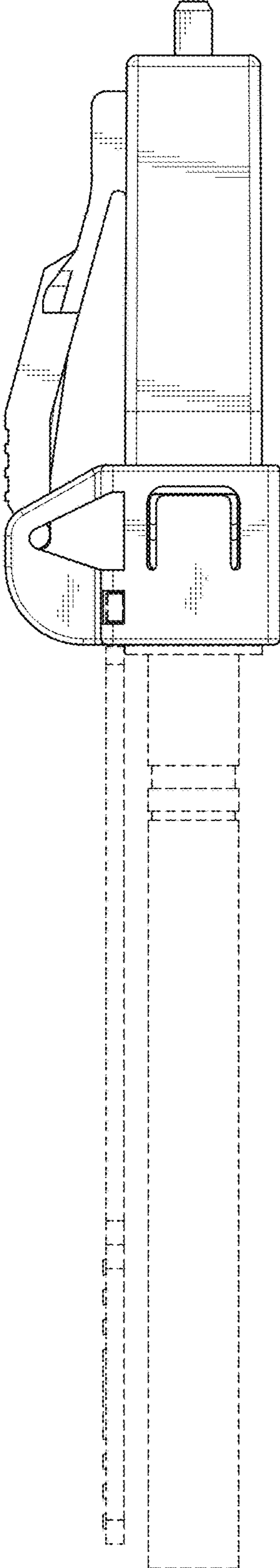


FIG. 4

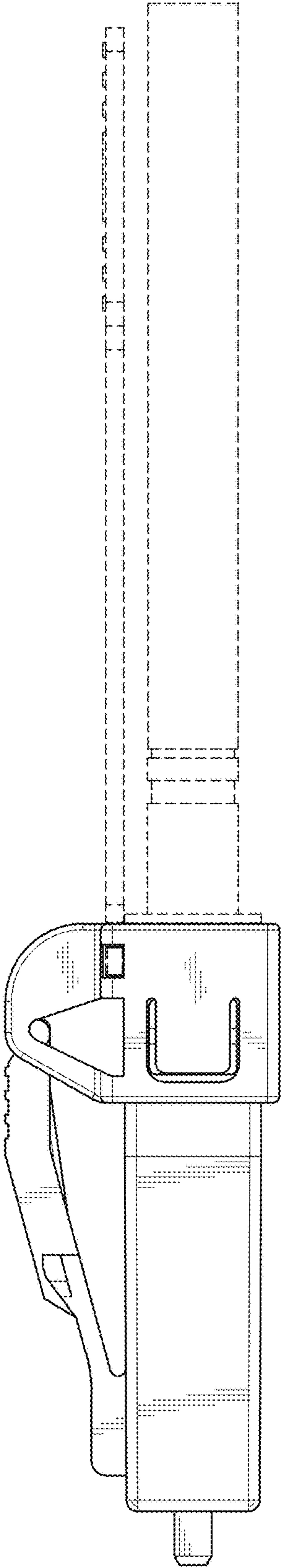


FIG. 5

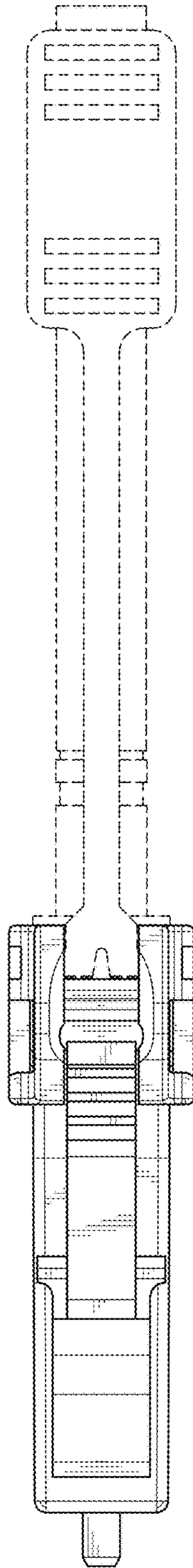


FIG. 6

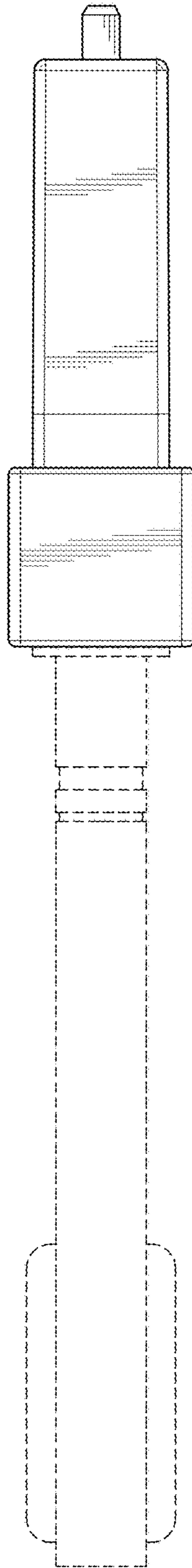


FIG. 7

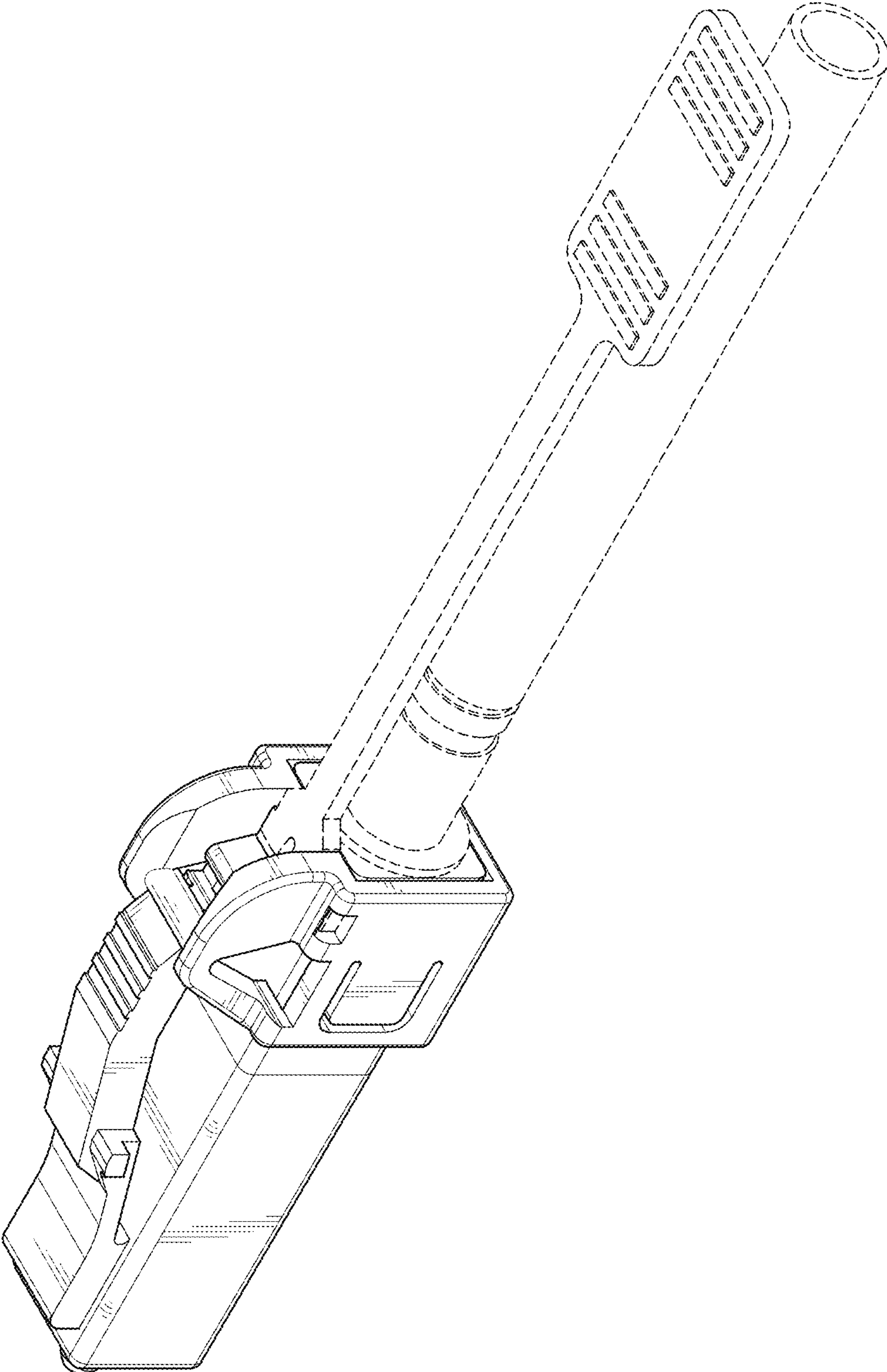


FIG. 8