



US00D783612S

(12) **United States Design Patent**
Kim et al.

(10) **Patent No.:** **US D783,612 S**
(45) **Date of Patent:** **** Apr. 11, 2017**

(54) **MONITOR**

(71) Applicant: **LG ELECTRONICS INC.**, Seoul
(KR)

(72) Inventors: **Byungsoo Kim**, Seoul (KR); **Seongahn Jeon**, Seoul (KR); **Hana Kim**, Seoul (KR)

(73) Assignee: **LG ELECTRONICS INC.**, Seoul (KR)

(**) Term: **15 Years**

(21) Appl. No.: **29/549,837**

(22) Filed: **Dec. 28, 2015**

(30) **Foreign Application Priority Data**

Jul. 1, 2015 (KR) 30-2015-0033296

(51) **LOC (10) Cl.** **14-02**

(52) **U.S. Cl.**
USPC **D14/374**

(58) **Field of Classification Search**

USPC D14/371-375, 125-129, 336, 337, 341;
341/12; 345/104, 156, 168, 173;
348/180, 184, 325, 739; 349/1, 2, 11, 62;
361/679.05-679.07, 679.21; D6/300,
D6/301, 308, 310; D16/241; D26/16, 34,
D26/51, 52, 93, 105, 118, 119, 123, 124;
D7/509, 523, 524
CPC G06F 1/16; G06F 1/1601; G06F 3/037;
G06F 1/162; G06F 1/1626; G06F 1/1652;
G06F 1/1656; G06F 1/1613; G09G
2380/02; G09G 2340/0464; G09G
2320/0238; G09G 3/3688; H05K 5/0017;
H05K 5/0217; H05K 1/028; G02F
1/133305; G02F 1/133308;

(Continued)

(56) **References Cited**

U.S. PATENT DOCUMENTS

D457,782 S * 5/2002 Snell D7/396.2
D570,035 S * 5/2008 Franklin D26/137

(Continued)

Primary Examiner — Freda S Nunn

(74) *Attorney, Agent, or Firm* — Birch, Stewart, Kolasch & Birch, LLP

(57) **CLAIM**

The ornamental design for a monitor, as shown and described.

DESCRIPTION

FIG. 1 is a front, right side, perspective view of a monitor showing our new design;

FIG. 2 is a rear perspective view thereof;

FIG. 3 is a front view thereof;

FIG. 4 is a rear view thereof;

FIG. 5 is a left side view thereof;

FIG. 6 is a right side view thereof;

FIG. 7 is a top view thereof;

FIG. 8 is a bottom view thereof;

FIG. 9 is a front, right side, perspective view in use state to be used as a lamp thereof;

FIG. 10 is a rear perspective view in use state to be used as a lamp thereof;

FIG. 11 is a front view in use state to be used as a lamp thereof;

FIG. 12 is a rear view in use state to be used as a lamp thereof;

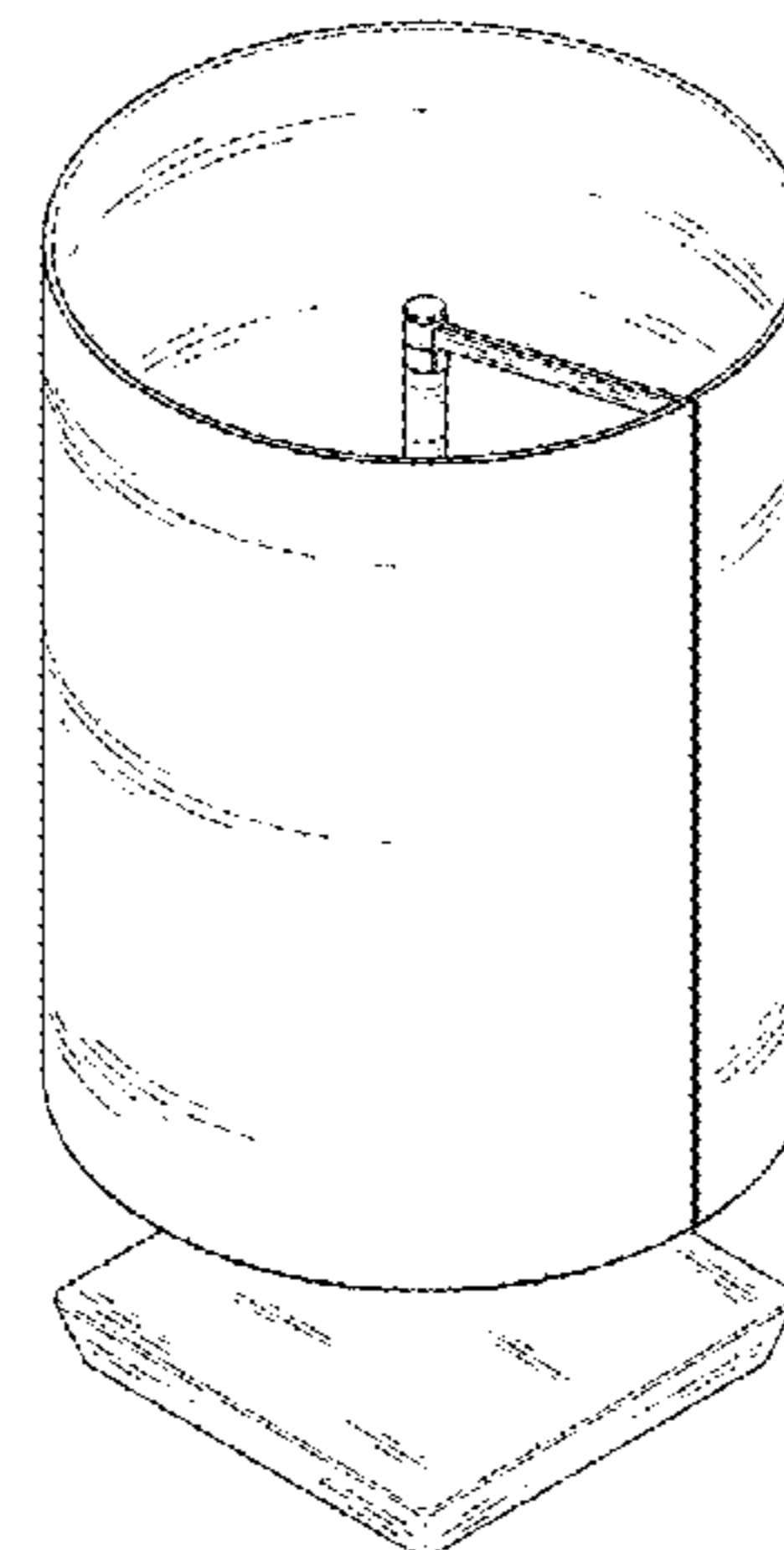
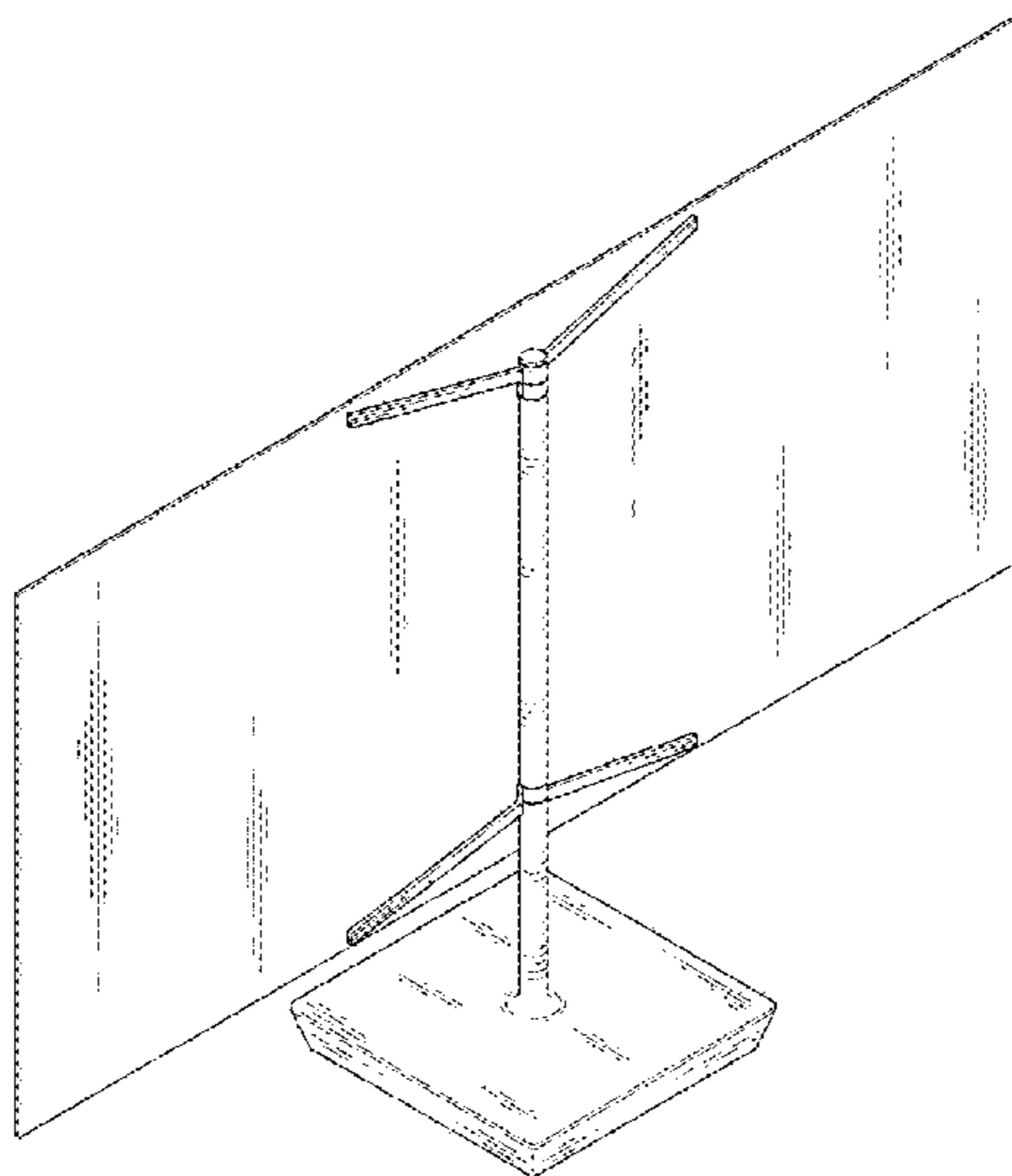
FIG. 13 is a left side view in use state to be used as a lamp thereof;

FIG. 14 is a right side view in use state to be used as a lamp thereof;

FIG. 15 is a top view in use state to be used as a lamp thereof; and,

FIG. 16 is a bottom view in use state to be used as a lamp thereof.

1 Claim, 11 Drawing Sheets



(58) **Field of Classification Search**

CPC A47G 1/06; A47G 1/0616; F21V 21/14;
F21V 1/00; F21V 7/00; F21V 29/00;
F21V 1/16; F21V 17/007; F21V 5/002
See application file for complete search history.

(56) **References Cited**

U.S. PATENT DOCUMENTS

D663,471	S *	7/2012	Bennett	D26/93
D664,277	S *	7/2012	Reo	D26/68
D705,607	S *	5/2014	Zorovich	D7/523
D719,116	S *	12/2014	Bang	D14/126
D720,316	S *	12/2014	Huh	D14/126
D730,857	S *	6/2015	Park	D14/126
D735,194	S *	7/2015	Kim	D14/374
2005/0146882	A1 *	7/2005	Liao	F21V 17/007 362/352
2011/0103053	A1 *	5/2011	Chen	F21V 5/002 362/235
2014/0000139	A1 *	1/2014	Wieland	A47G 1/0616 40/715
2015/0035812	A1 *	2/2015	Shin	G09G 3/3688 345/204

* cited by examiner

FIG. 1

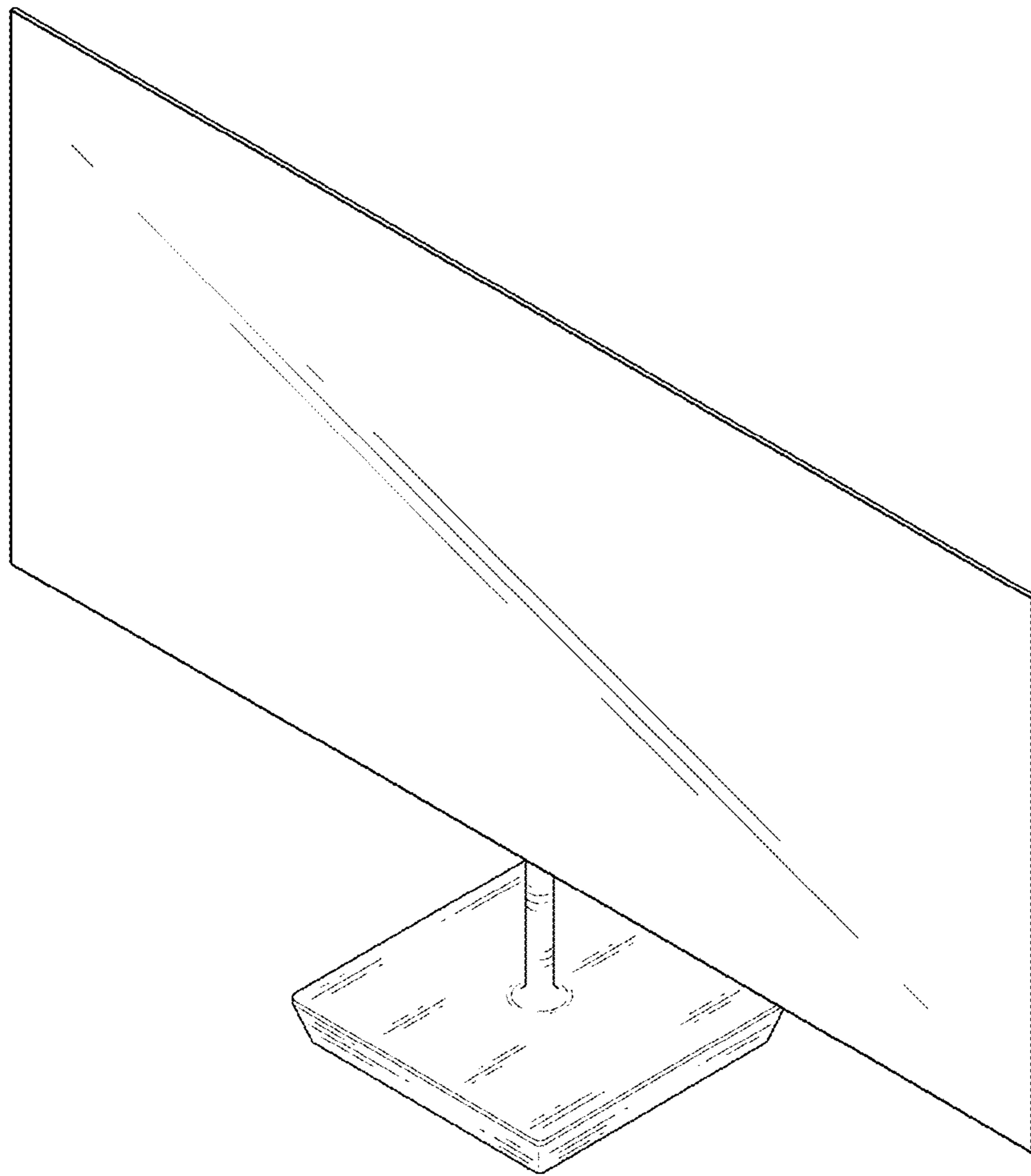


FIG. 2

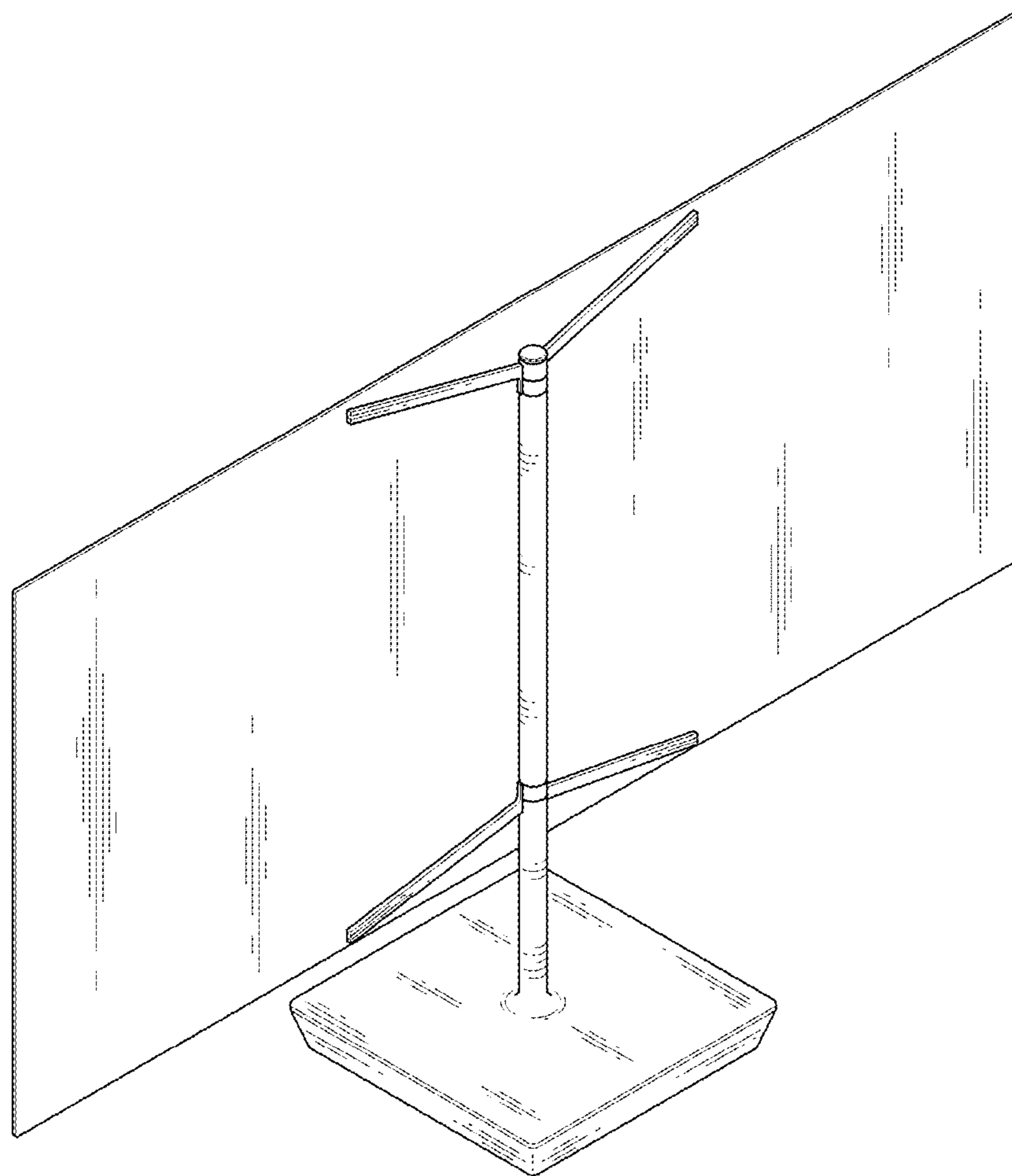


FIG. 3

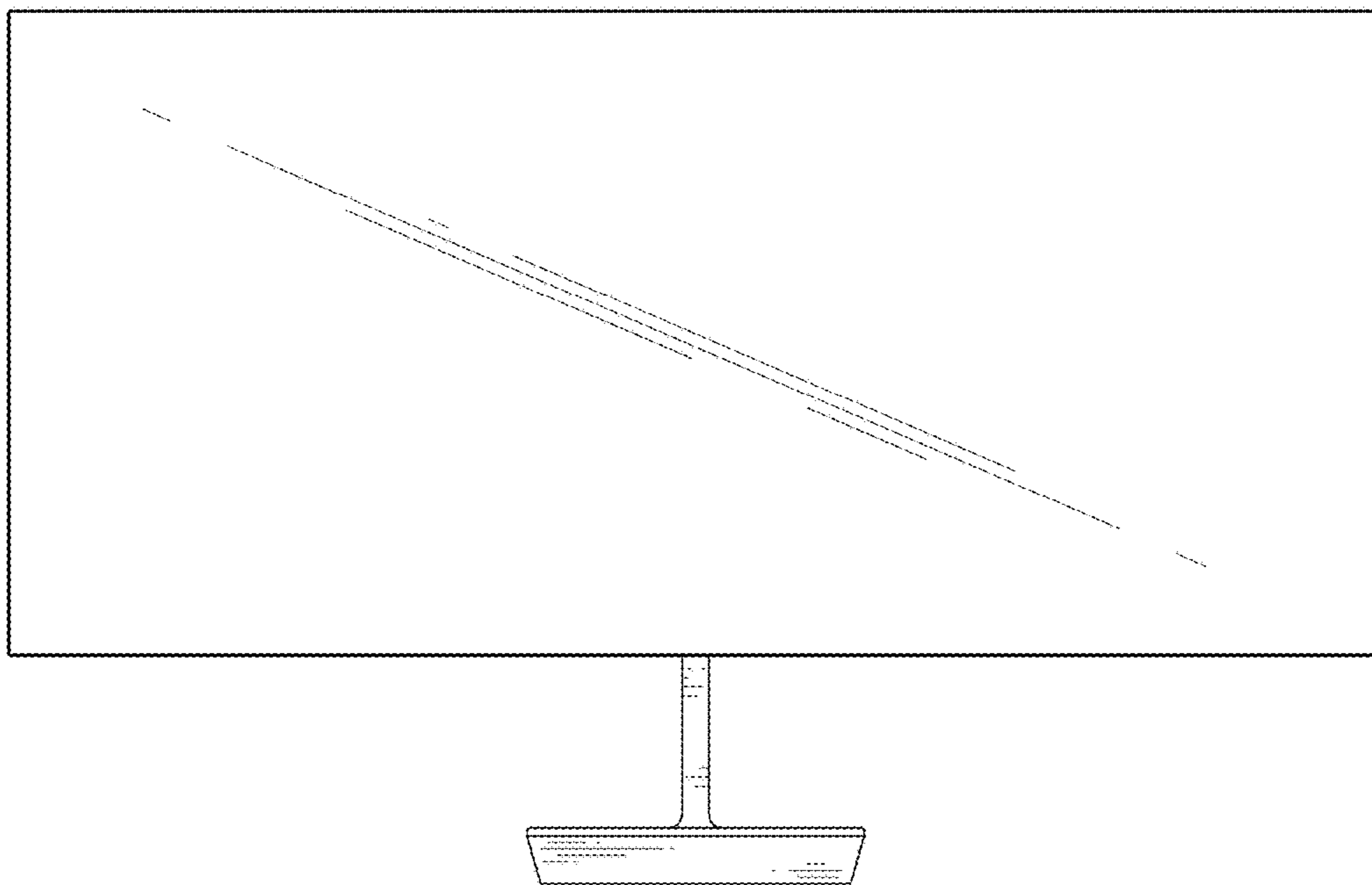


FIG. 4

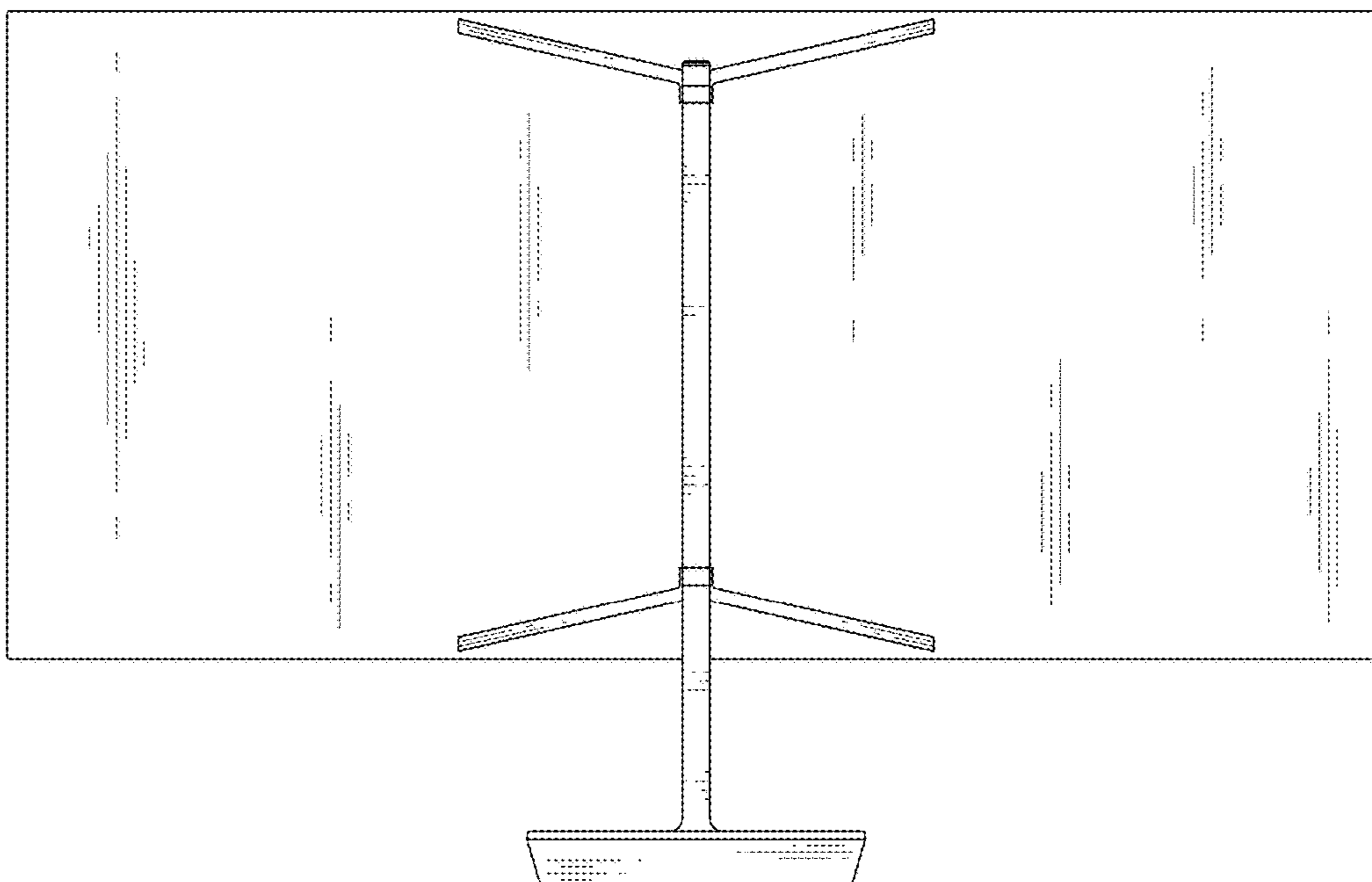


FIG. 5

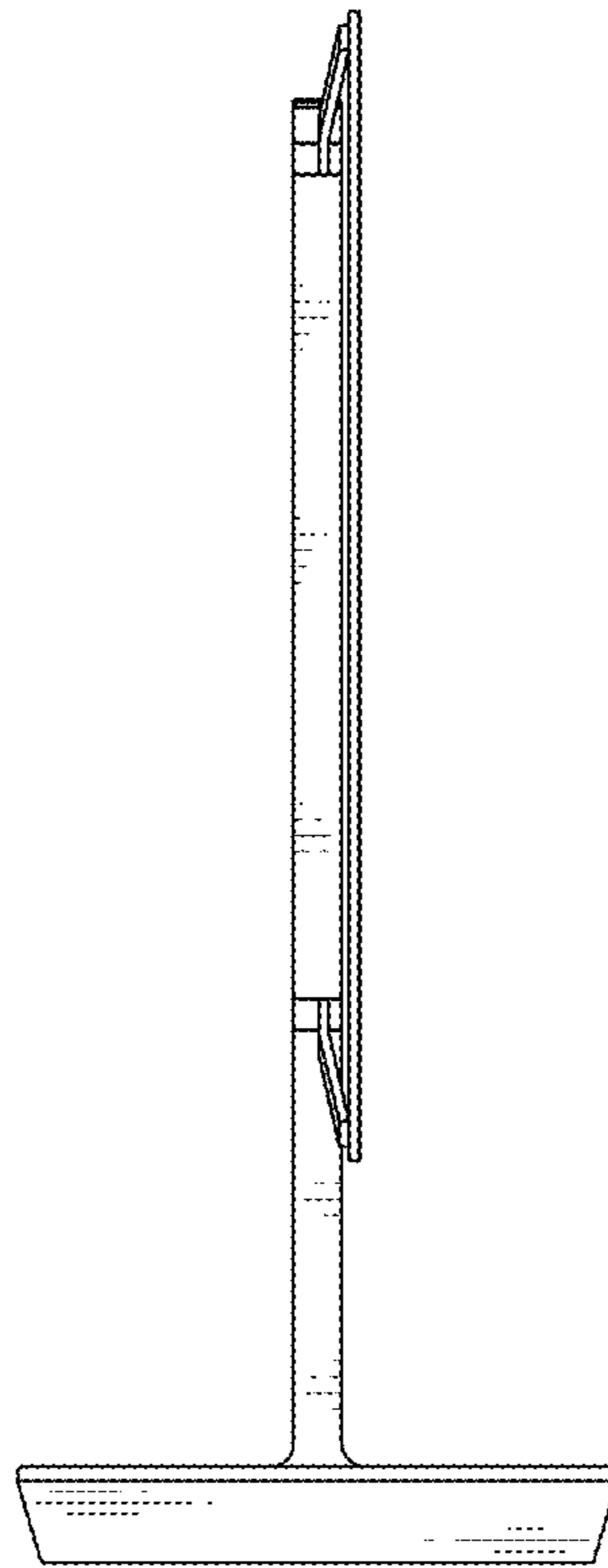


FIG. 6

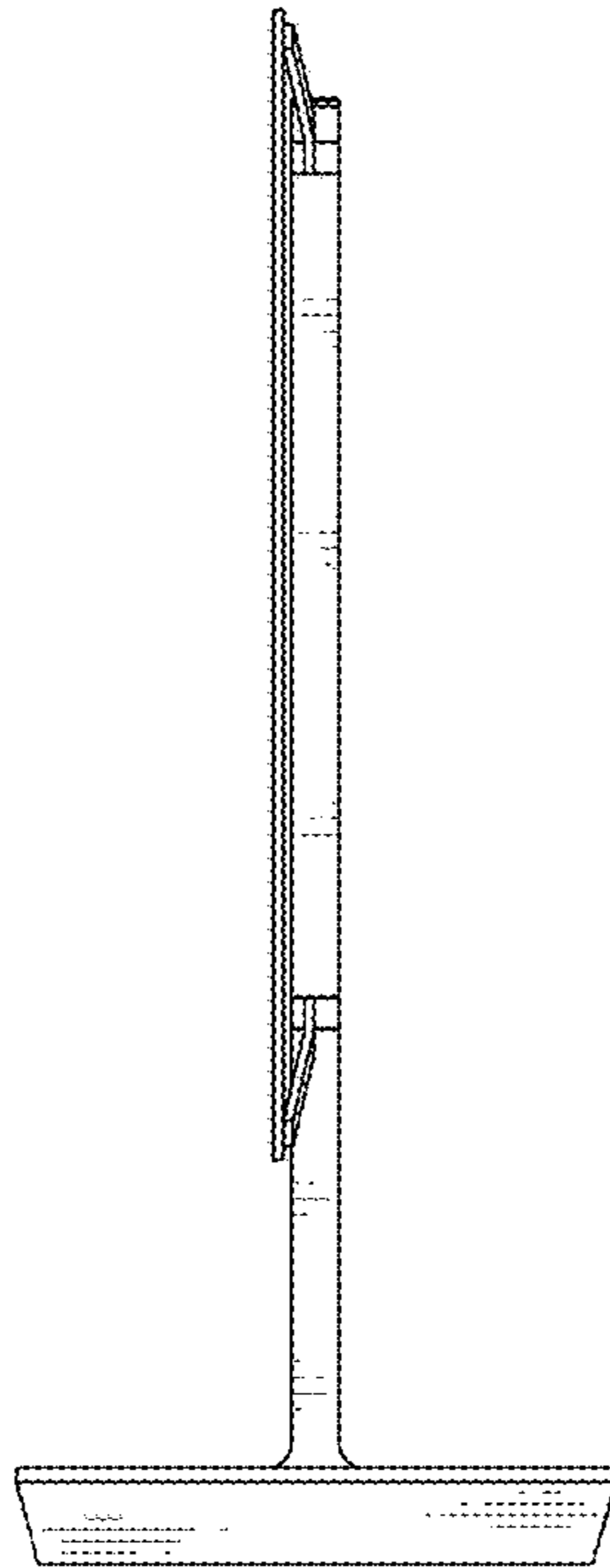


FIG. 7

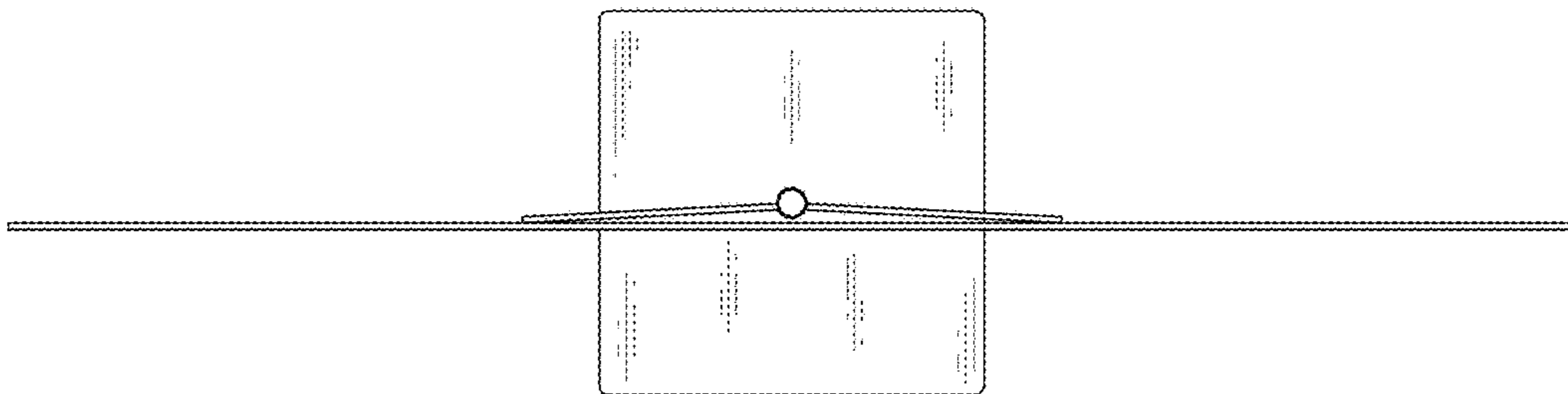


FIG. 8

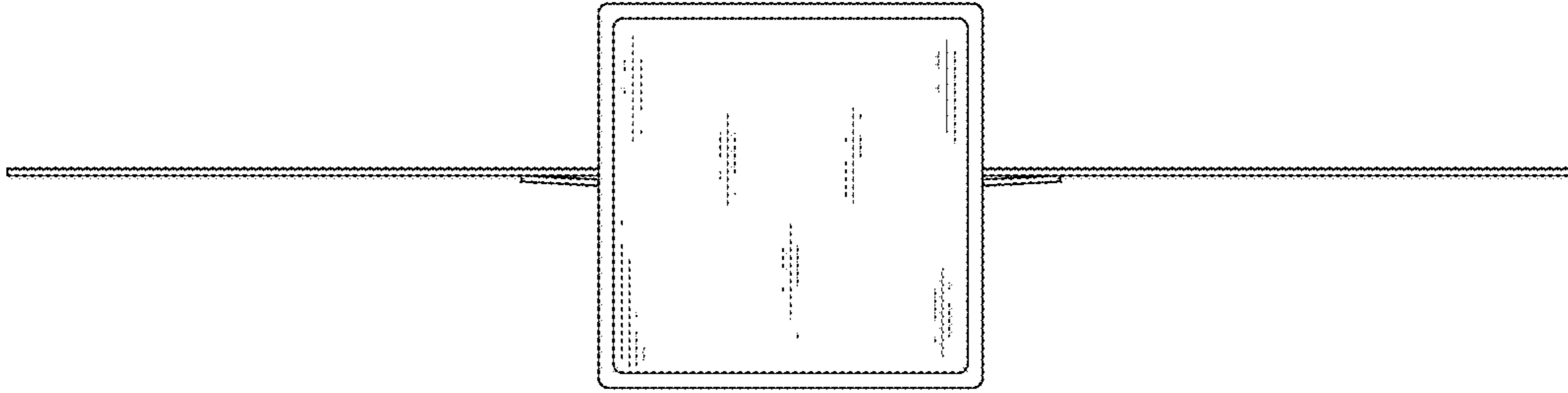


FIG. 9

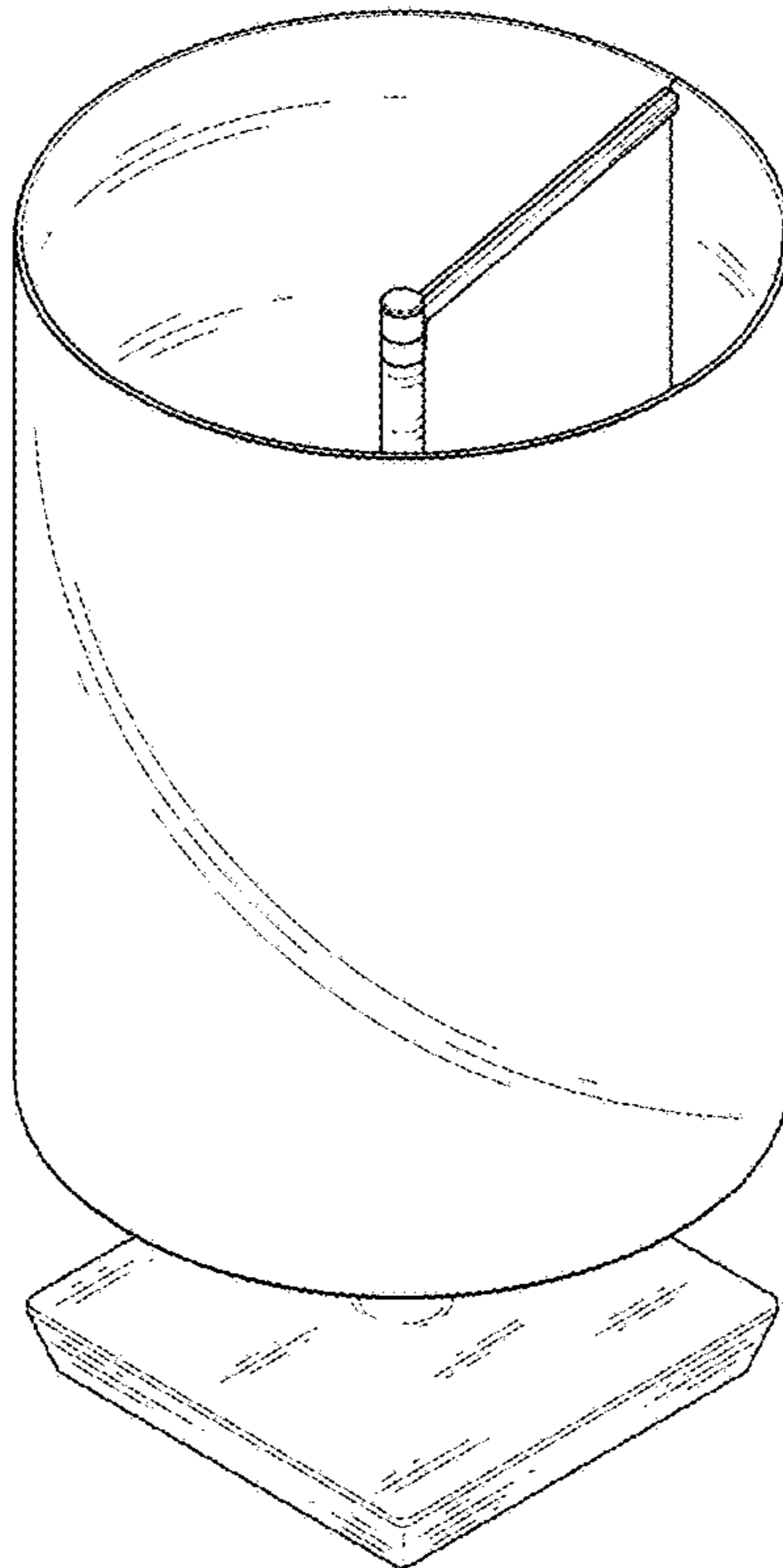


FIG. 10

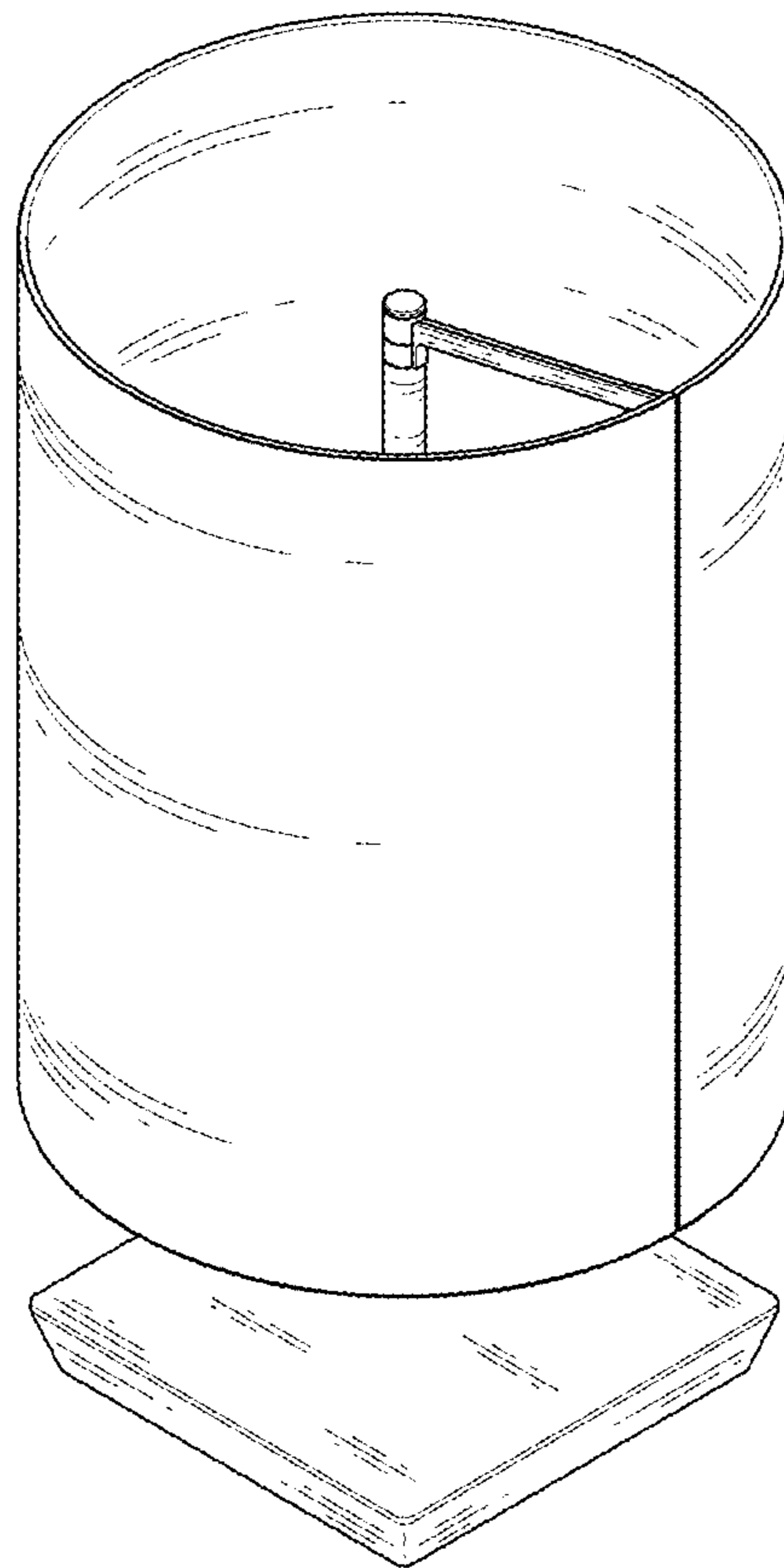


FIG. 11

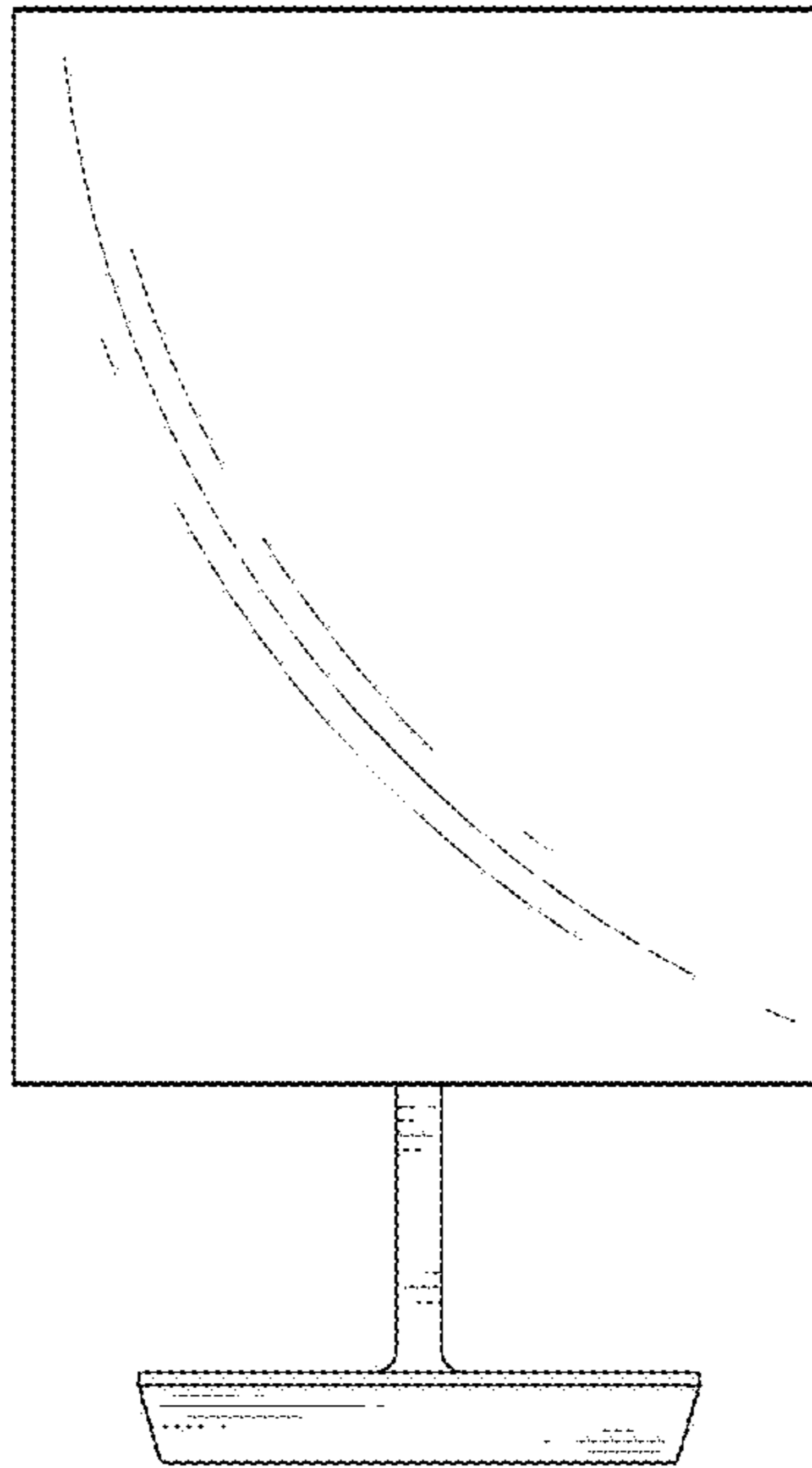


FIG. 12

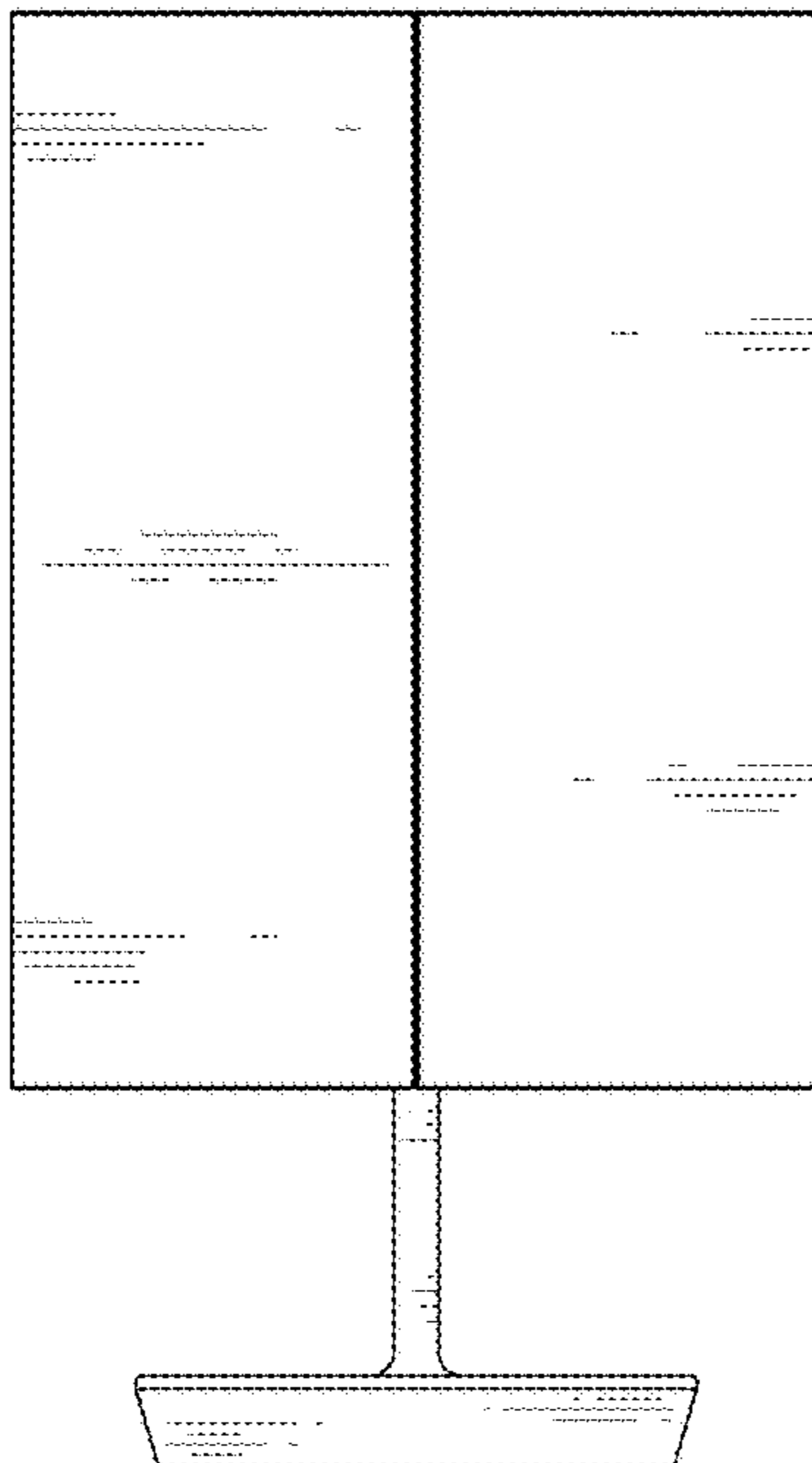


FIG. 13

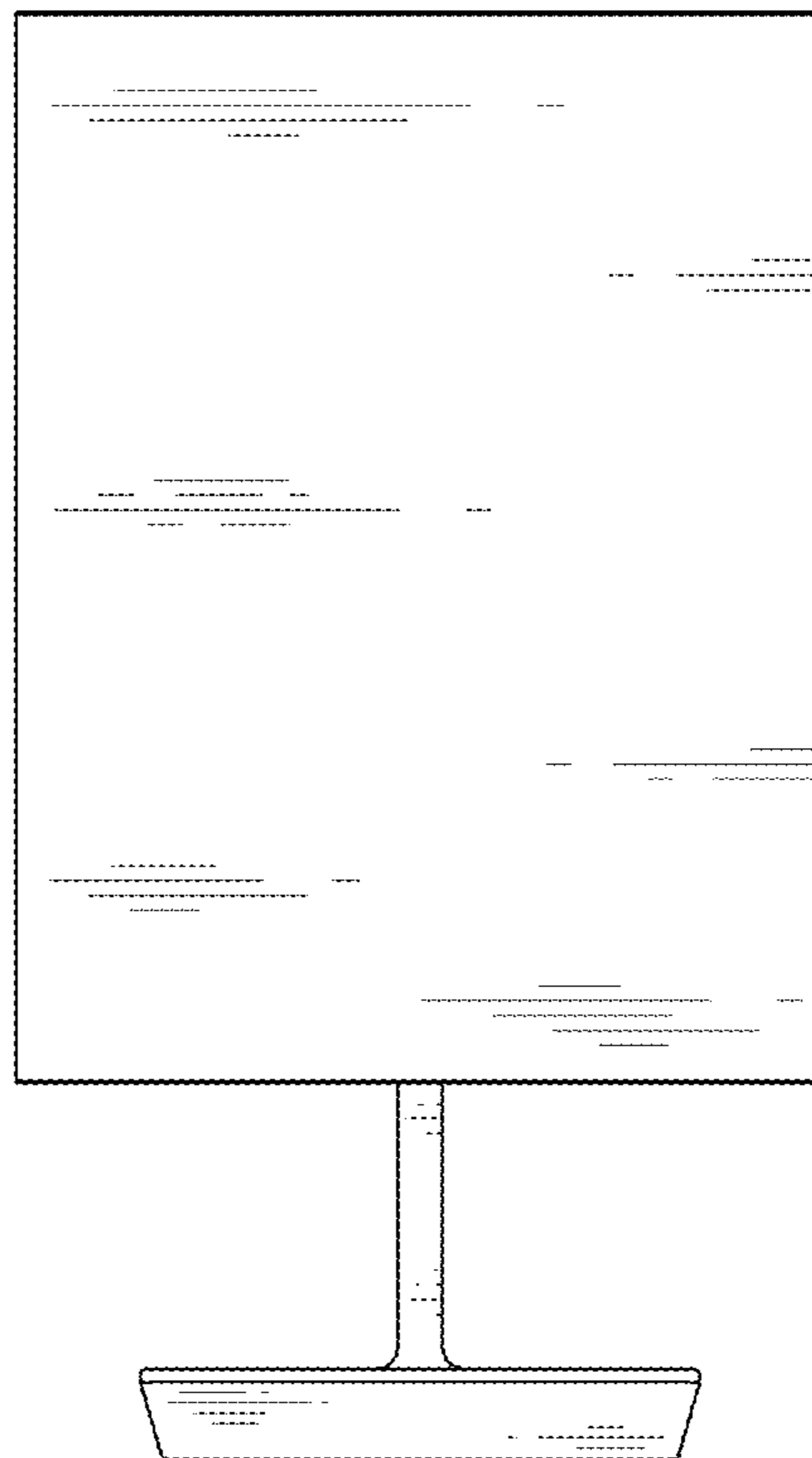


FIG. 14

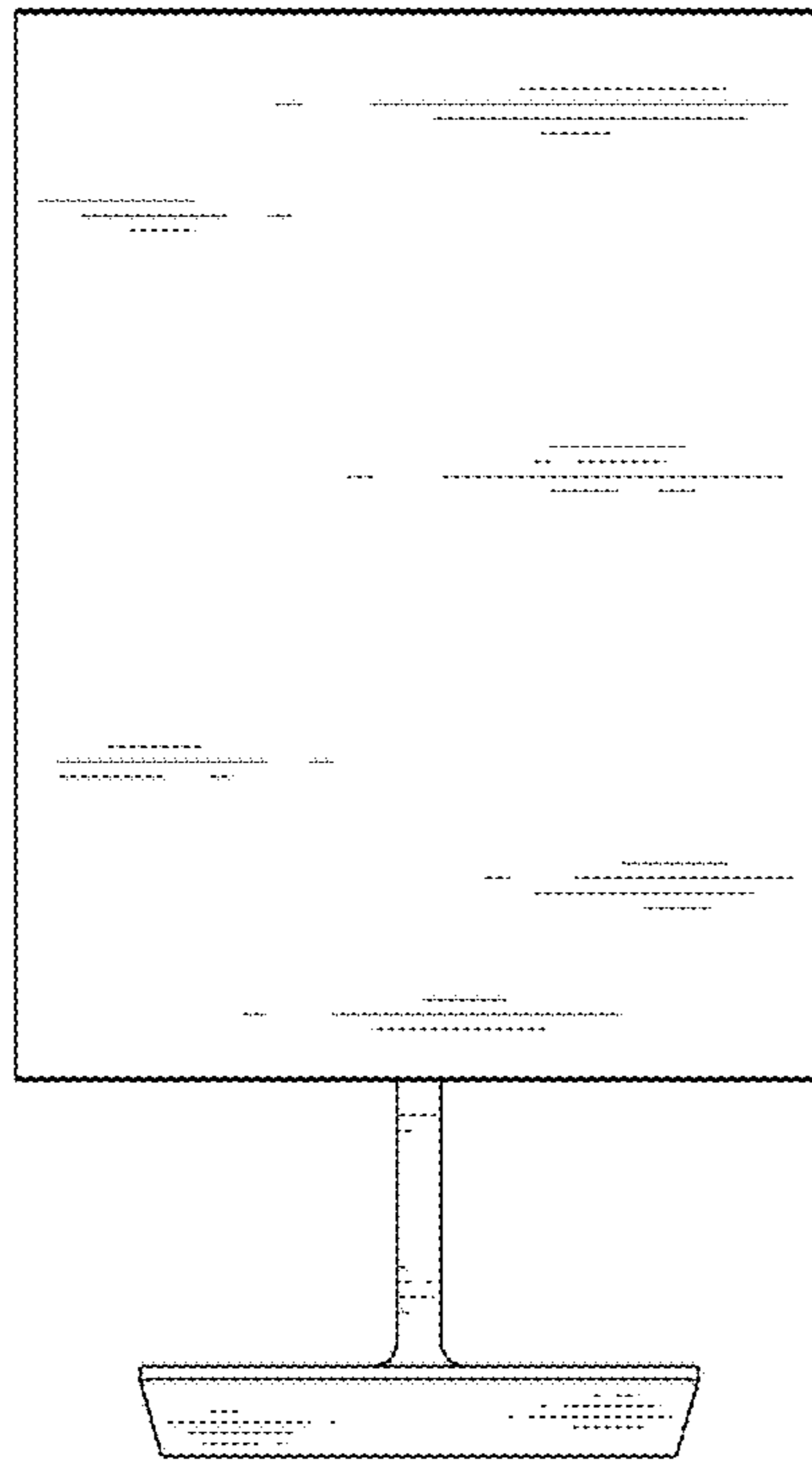


FIG. 15

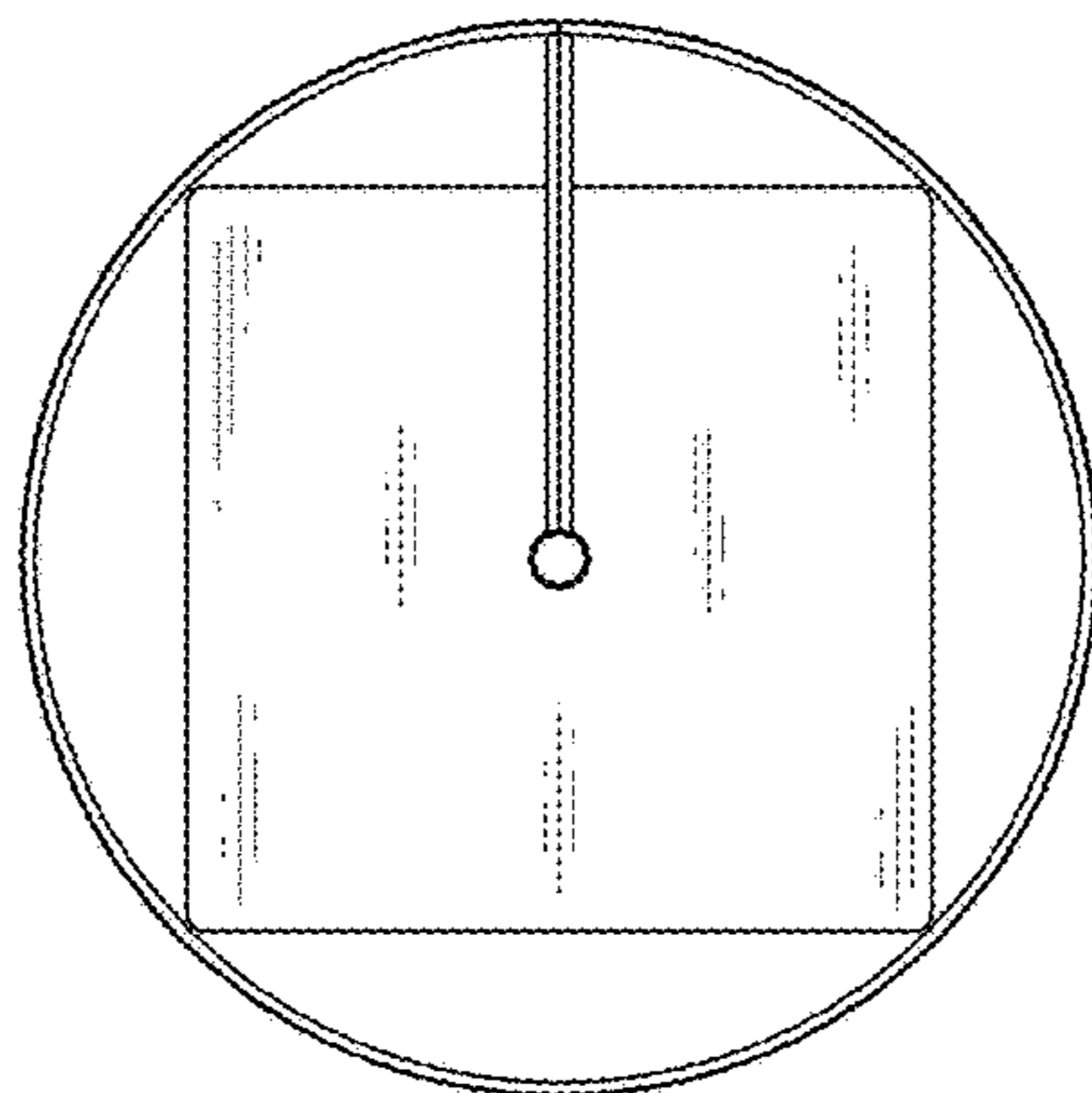


FIG. 16

