



US00D783609S

(12) **United States Design Patent**
Mikelson

(10) **Patent No.:** **US D783,609 S**
(45) **Date of Patent:** **** Apr. 11, 2017**

(54) **DATA STORAGE DEVICE**

(71) Applicant: **THE CLIMATE CORPORATION**,
San Francisco, CA (US)

(72) Inventor: **Chris Mikelson**, Chicago, IL (US)

(73) Assignee: **THE CLIMATE CORPORATION**,
San Francisco, CA (US)

(**) Term: **14 Years**

(21) Appl. No.: **29/526,310**

(22) Filed: **May 7, 2015**

(51) **LOC (10) Cl.** **14-02**

(52) **U.S. Cl.**
USPC **D14/356**

(58) **Field of Classification Search**
USPC D14/300, 348, 349, 353, 355, 356, 357,
D14/358, 363-370, 439; D13/123, 162,
D13/184, 199; D10/1, 46, 49-60
CPC G11B 33/00; G11B 33/022; G11B 33/025;
G11B 33/027; G11B 23/02; G06F 1/16
See application file for complete search history.

(56) **References Cited**

U.S. PATENT DOCUMENTS

D220,105 S *	3/1971	Small	D14/300
D303,584 S *	9/1989	Bakic	D28/91
D327,690 S *	7/1992	Ogawa	D14/230
D387,062 S *	12/1997	Heine	D10/72
D391,943 S *	3/1998	Han	D14/356
D391,944 S *	3/1998	Han	D14/356
D398,079 S *	9/1998	Denison	D28/77
D414,476 S *	9/1999	Hibino	D13/101
D438,202 S *	2/2001	Hui	D14/348
D442,338 S *	5/2001	Roman	D28/82
D507,569 S *	7/2005	Tagliabue	D14/356
D519,859 S	5/2006	Chinnadurai		

D585,892 S	2/2009	Urban		
D598,018 S *	8/2009	Sumii	D14/301
D598,020 S *	8/2009	Lu	D14/358

(Continued)

OTHER PUBLICATIONS

The Climate Corporation Transforms Data into Value with New Climate Fieldview Integrated Digital Ag Platform. Monsanto.com. (online) 3 pages. Posted Sep. 2, 2015 [retrieved on May 11, 2016]. Retrieved from Internet: http://news.monsanto.com/press-release/climate/climate-corporation-transforms-data-value-new-climate-fieldview-integrated-dig.*

(Continued)

Primary Examiner — Susan Bennett Hattan

Assistant Examiner — Marie Fast Horse

(74) *Attorney, Agent, or Firm* — Hickman Palermo
Becker Bingham LLP

(57) **CLAIM**

The ornamental design for a data storage device, as shown and described.

DESCRIPTION

FIG. 1 is a bottom plan view of the data storage device according to the design shown in FIG. 4;

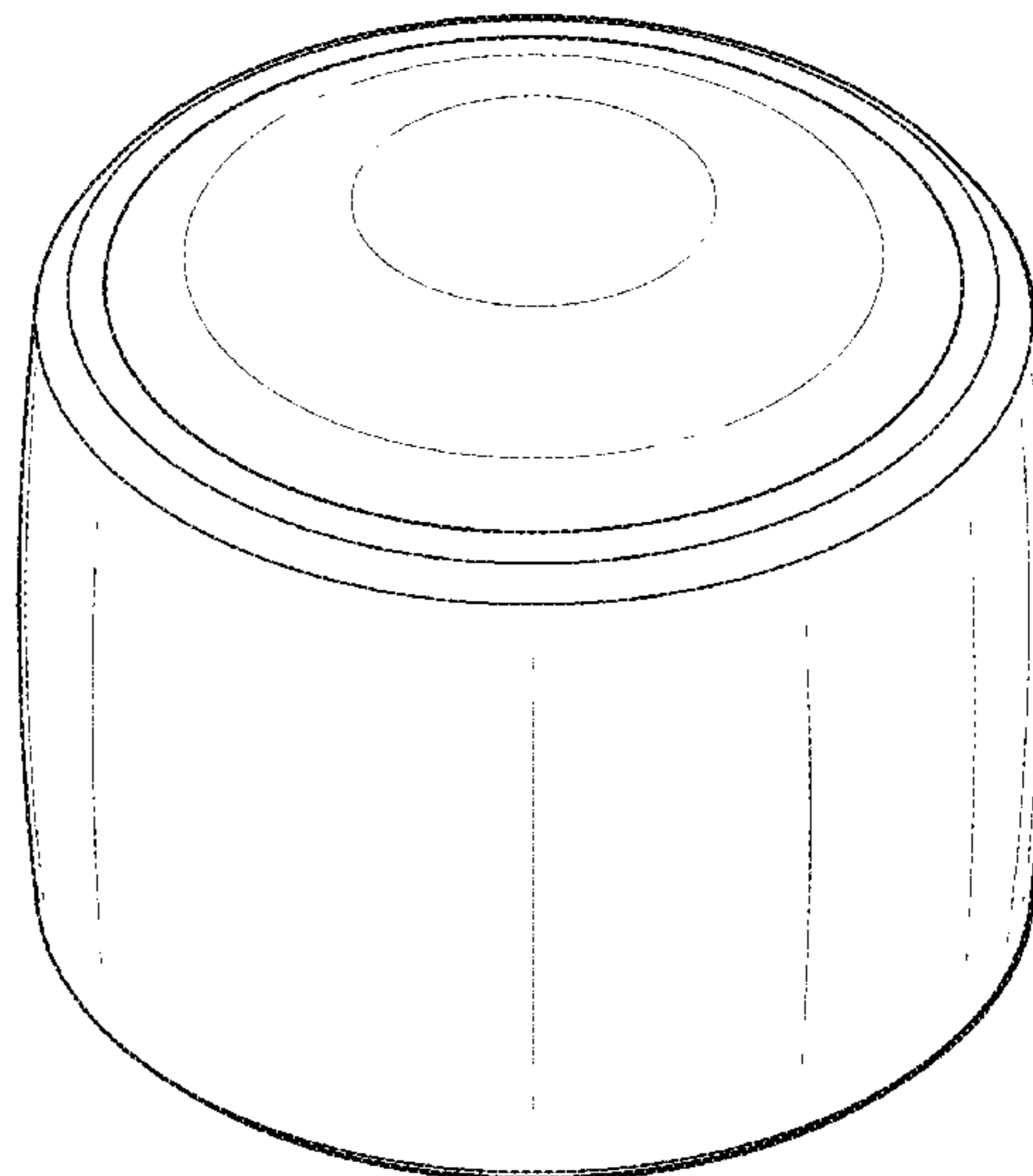
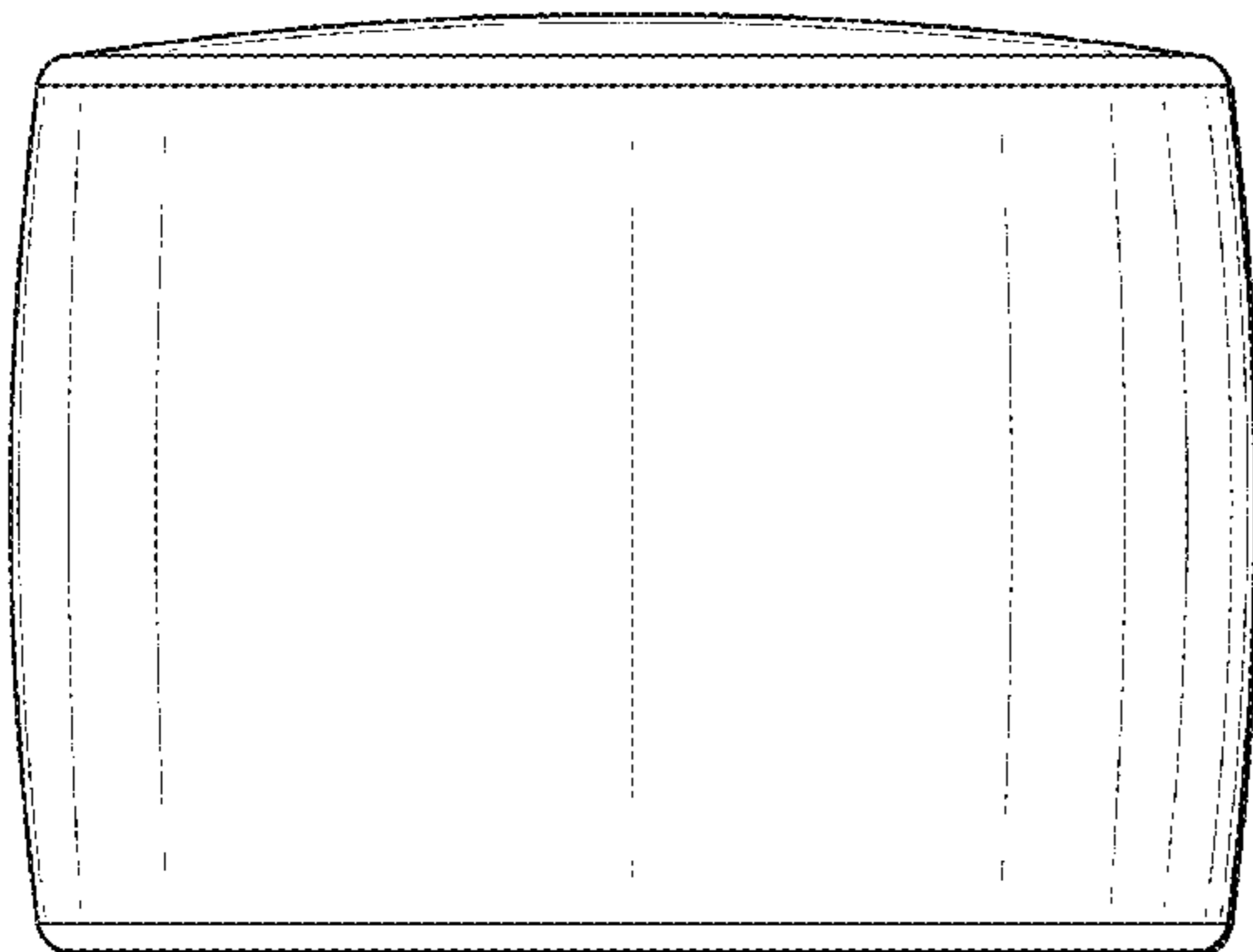
FIG. 2 is a side elevation view of the data storage device according to the design shown in FIG. 4, all sides being the same;

FIG. 3 is a top plan view of an ornamental design for the data storage device according to the design shown in FIG. 4; and, FIG. 4 is a perspective view of a data storage device showing my new design.

The broken lines in FIG. 1 depict parts of the data storage device that form no part of the claim.

The claimed design is defined by the shaded surfaces; all unshaded surfaces shown between the broken and solid lines form no part of the claimed design.

1 Claim, 4 Drawing Sheets



(56)

References Cited

U.S. PATENT DOCUMENTS

D617,314 S * 6/2010 Zha D14/216
 7,805,228 B2 9/2010 Liebl
 D628,573 S * 12/2010 Wang D14/356
 D640,692 S * 6/2011 Waisman-Diamond D14/240
 D649,148 S 11/2011 Gengoux
 D669,894 S * 10/2012 Cobbett D14/358
 D673,504 S 1/2013 Esses
 D697,475 S 1/2014 Regole
 D697,800 S * 1/2014 Villarreal D28/82
 D700,075 S * 2/2014 Bould D10/49
 D717,305 S 11/2014 Alesi
 D724,977 S 3/2015 Browning
 D736,166 S 8/2015 Kuh
 D741,861 S 10/2015 Haidar
 D742,379 S 11/2015 Haidar
 D743,954 S * 11/2015 Chuang D13/168
 D746,166 S * 12/2015 Li D10/104.1
 D747,984 S * 1/2016 Zhao D10/52
 D751,135 S * 3/2016 Bould D16/237
 D751,538 S * 3/2016 Koehler D14/240

D755,750 S * 5/2016 Chen D14/172
 2003/0003777 A1 1/2003 Lesesky
 2004/0137768 A1 7/2004 Haehn
 2005/0010341 A1 1/2005 MacNamara
 2006/0235586 A1 10/2006 Waszkowski
 2009/0005928 A1 1/2009 Sells
 2009/0102626 A1 4/2009 Lesesky
 2011/0270485 A1 11/2011 Jones
 2013/0090820 A1 4/2013 Frashure
 2014/0357295 A1 12/2014 Skomra
 2016/0125668 A1 5/2016 Meyer
 2016/0125669 A1 5/2016 Meyer

OTHER PUBLICATIONS

Canplug, Cropventures.com, retrieved from the internet www.cropventures.com/publicproductline/canplug, on May 11, 2016, 8 pages.
 Black Knurled Brass Tele Knobs for Split Shaft Pots, guitarfetish.com, retrieved from the internet on May 11, 2016, 4 pages.

* cited by examiner

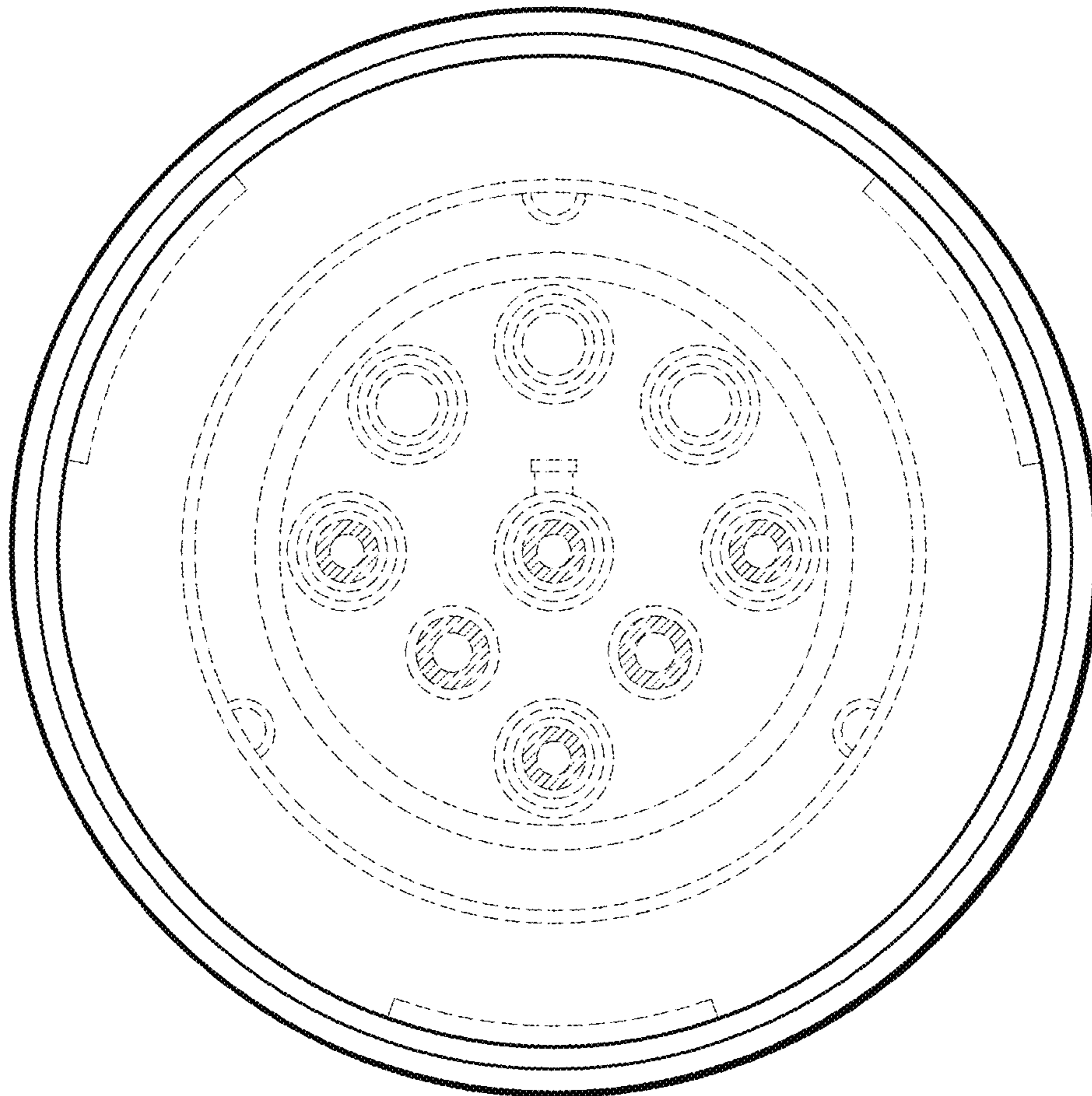


FIG. 1

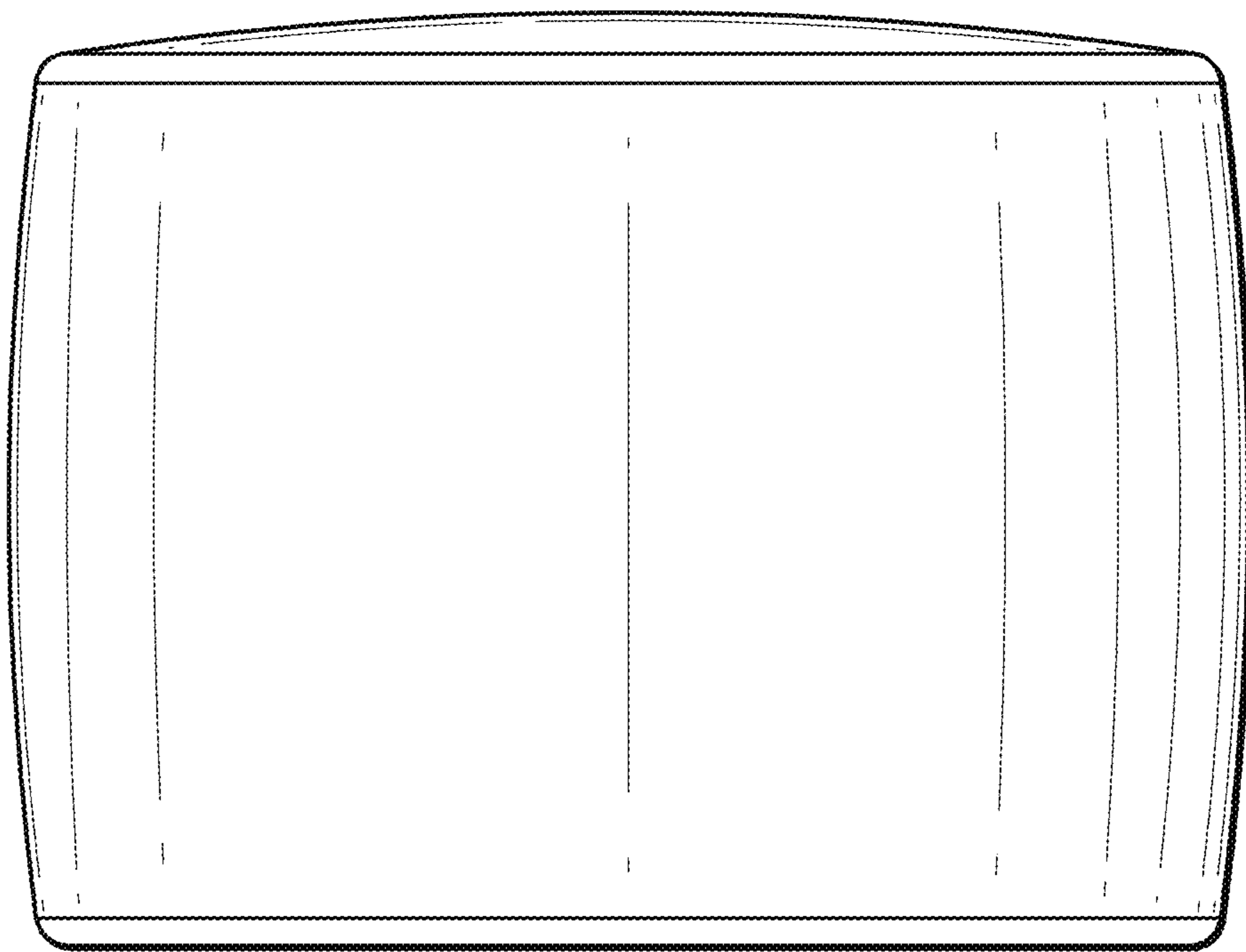


FIG. 2

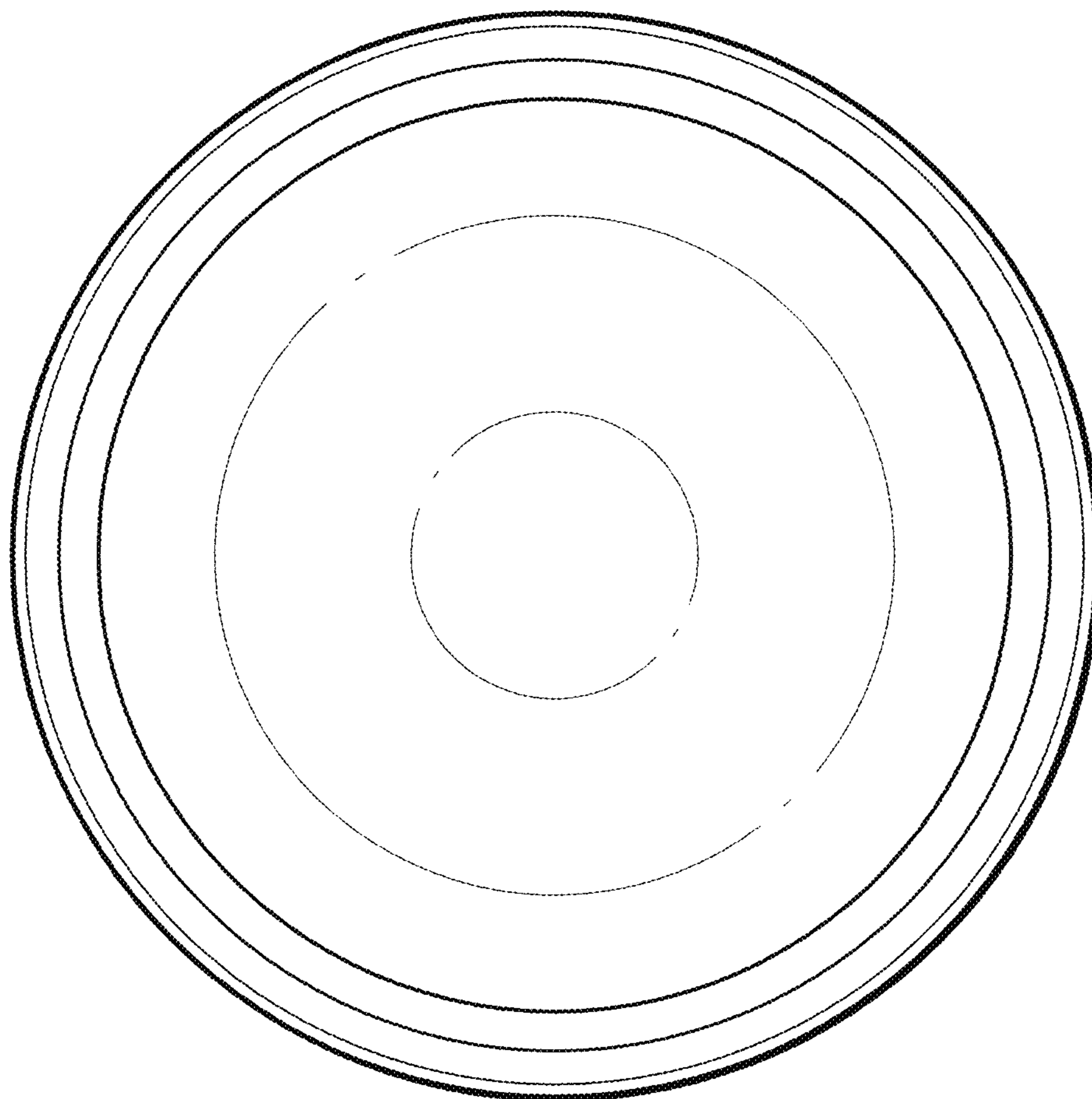


FIG. 3

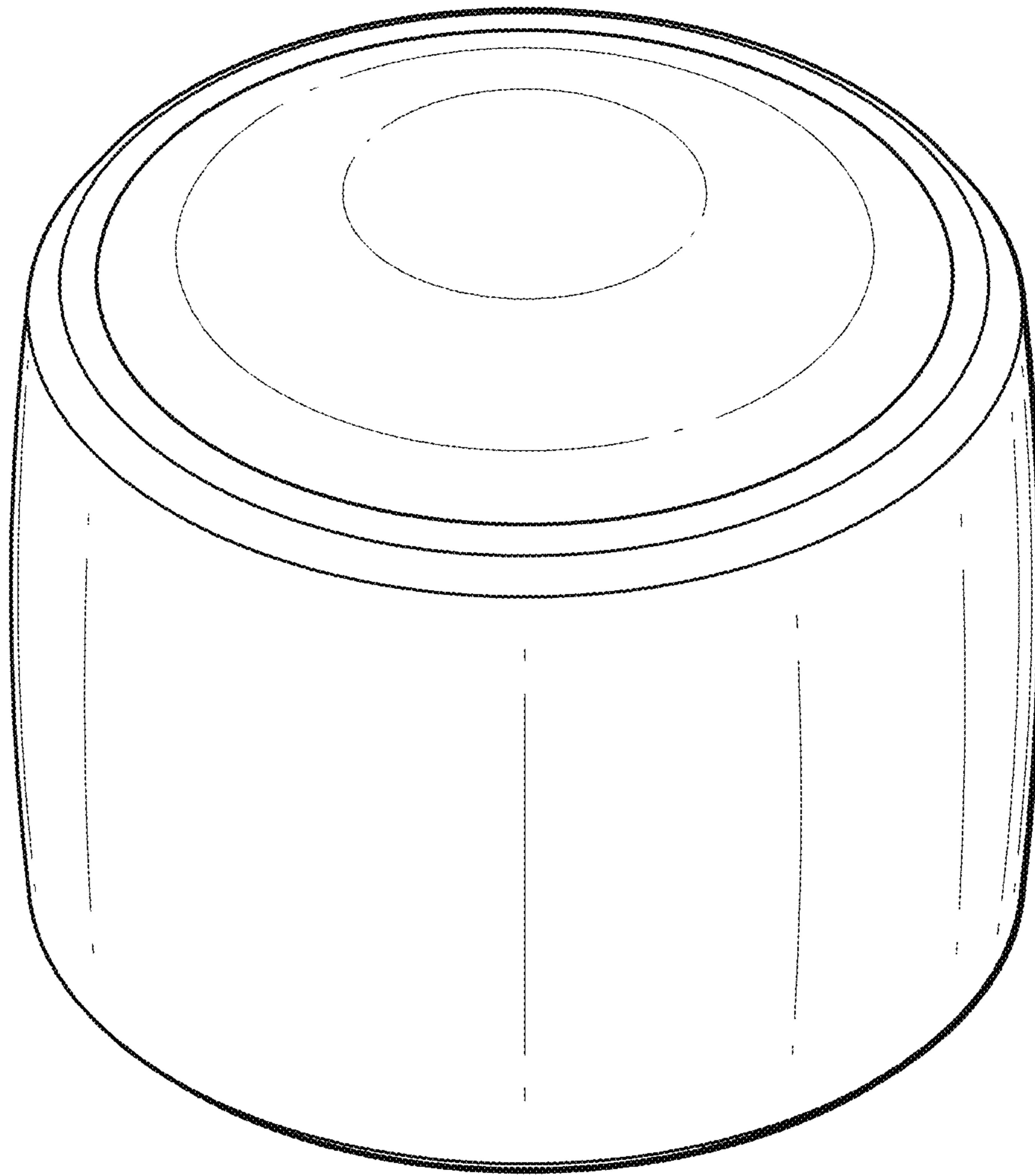


FIG. 4