



US00D783608S

(12) **United States Design Patent**
Park et al.

(10) **Patent No.:** **US D783,608 S**
(45) **Date of Patent:** **** Apr. 11, 2017**

(54) **MOBILE TERMINAL**

(71) Applicant: **Samsung Electronics Co., Ltd.**,
Suwon-si (KR)

(72) Inventors: **Sang-II Park**, Seoul (KR); **Sang-Min Hyun**, Seoul (KR); **In-Shik Kim**,
Seongnam-si (KR)

(73) Assignee: **Samsung Electronics Co., Ltd.**,
Suwon-si (KR)

(**) Term: **15 Years**

(21) Appl. No.: **29/549,665**

(22) Filed: **Dec. 28, 2015**

Related U.S. Application Data

(63) Continuation of application No. 29/499,343, filed on
Aug. 14, 2014, now Pat. No. Des. 749,575.

(30) **Foreign Application Priority Data**

Feb. 22, 2014 (KR) 30-2014-0009032

(51) **LOC (10) Cl.** **14-03**

(52) **U.S. Cl.**
USPC **D14/345**; D14/496; D14/203.4;
D14/341

(58) **Field of Classification Search**

USPC D14/496, 203–203.7, 138 AB, 138 AD,
D14/341–346, 143, 218, 138 R, 339, 340,
(Continued)

(56) **References Cited**

U.S. PATENT DOCUMENTS

5,663,748 A * 9/1997 Huffman G06F 15/0283
345/173
D391,987 S * 3/1998 Jambhekar D14/315

(Continued)

Primary Examiner — Prabhakar Deshmukh

(74) *Attorney, Agent, or Firm* — NSIP Law

(57) **CLAIM**

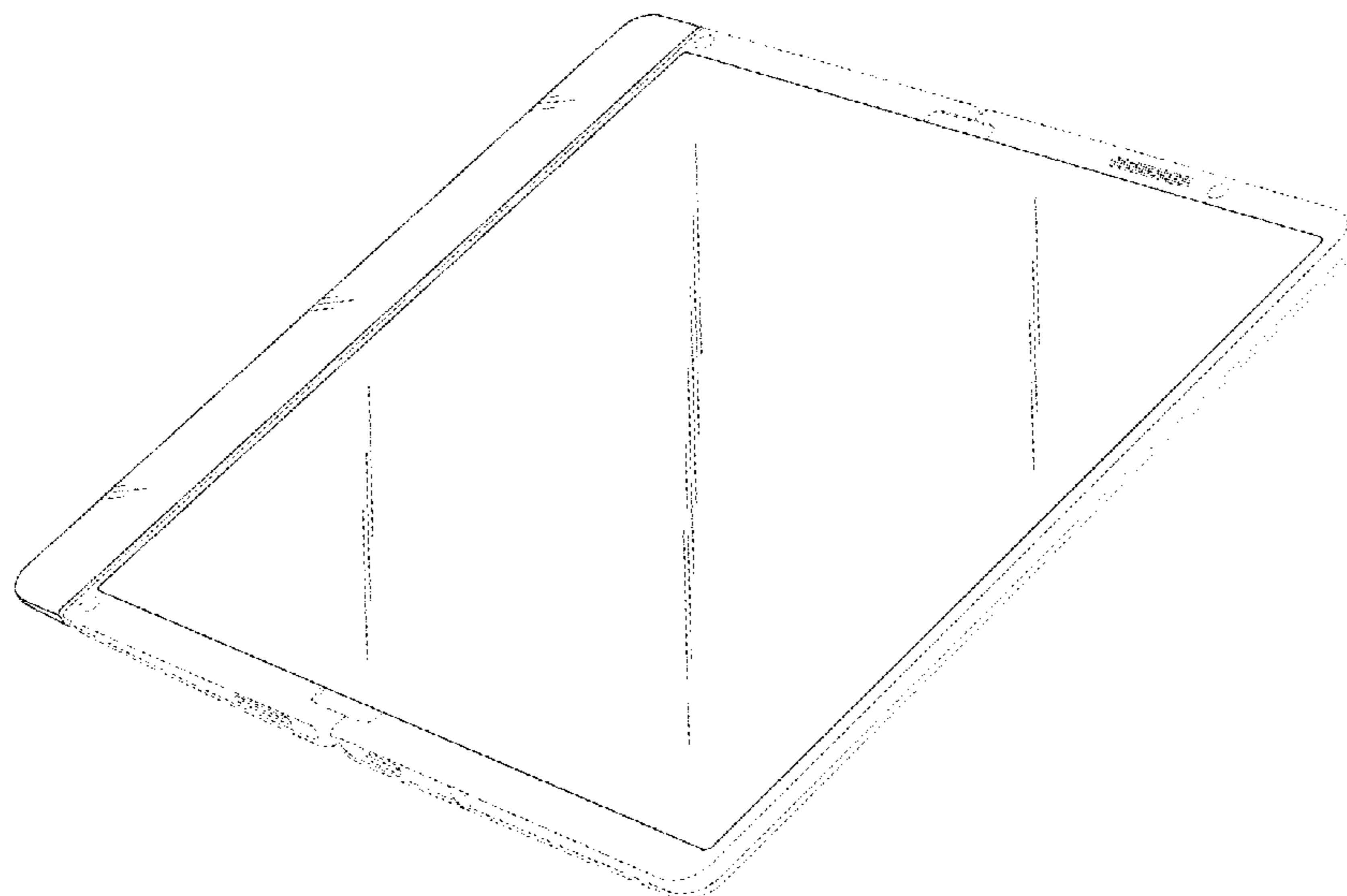
We claim the ornamental design for a mobile terminal, as shown and described.

DESCRIPTION

FIG. 1 is a front perspective view of a mobile terminal, showing our new design;
FIG. 2 is a front view thereof;
FIG. 3 is a rear view thereof;
FIG. 4 is a left-side view thereof;
FIG. 5 is a right-side view thereof;
FIG. 6 is a top view thereof;
FIG. 7 is a bottom view thereof;
FIG. 8 is a rear perspective view thereof;
FIG. 9 is another front perspective view, in which the mobile terminal is provided in a partially folded position;
FIG. 10 is another front view, in which the mobile terminal is provided in a folded position, and graphical features in broken lines are provided to illustrate an example environment; and,
FIG. 11 is an enlarged view of the encircled portion in FIG. 2.

The broken lines in the figures show portions of the mobile terminal which form no part of the claimed design. The dot-dash broken lines encircling portions of the claimed design that are illustrated in enlargements form no part of the claimed design. The broken line showing of the graphical features in FIG. 10 is for environmental purposes only and forms no part of the claimed design.

1 Claim, 9 Drawing Sheets



US D783,608 S

Page 2

(58) **Field of Classification Search**

USPC D14/316; 345/156, 169, 173-179, 905;
715/700; 710/1, 5, 8; 713/1, 600;
455/11, 1.7, 73, 344-347, 93, 95, 575.1,
455/556.2, 573.3, 566; 370/342-344;
369/1, 2, 6, 12; 463/43-47; 379/433.01,
379/433.04, 433.12, 433.13; 361/679.01,
361/679.56
CPC G06F 1/16; G06F 3/00; G06F 3/14; H04B
1/38; H05K 7/00; H04K 7/16; H04K
7/20; H04M 1/0212; H04M 1/021; H04M
1/022; H04M 2250/16

See application file for complete search history.

(56) **References Cited**

U.S. PATENT DOCUMENTS

5,848,298 A 12/1998 Steere, Jr.
5,898,600 A 4/1999 Isashi
D445,787 S * 7/2001 Francis D14/345

6,313,828 B1 * 11/2001 Chombo G06F 1/1616
345/169
D466,897 S 12/2002 Hata
6,512,497 B1 * 1/2003 Kondo G06F 3/147
345/1.1
6,684,089 B1 * 1/2004 Lee G06F 1/1626
361/724
D493,463 S 7/2004 Takahashi
6,781,824 B2 8/2004 Krieger
6,788,283 B1 * 9/2004 Blotky G06F 15/0283
345/156
6,900,981 B2 * 5/2005 Kuivas E05D 3/122
248/920
D507,567 S * 7/2005 Yonekawa D14/345
7,138,982 B2 11/2006 Sugimoto
D588,126 S 3/2009 Chiang
D681,000 S 4/2013 Koh
D681,054 S 4/2013 Koh
D716,751 S 11/2014 Lee
D716,800 S 11/2014 Lee
9,078,338 B2 7/2015 Ohtaka

* cited by examiner

FIG. 1

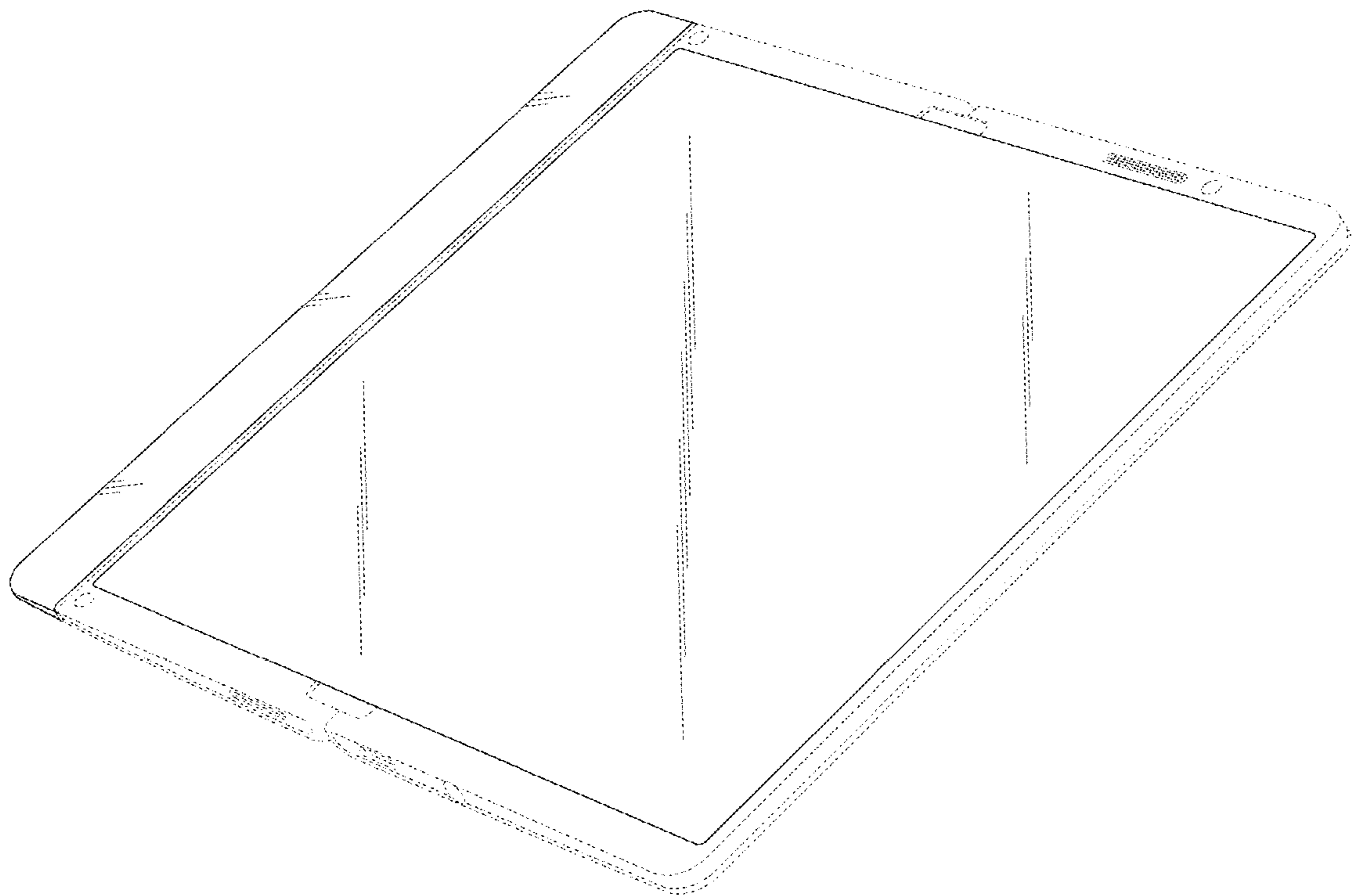


FIG. 2

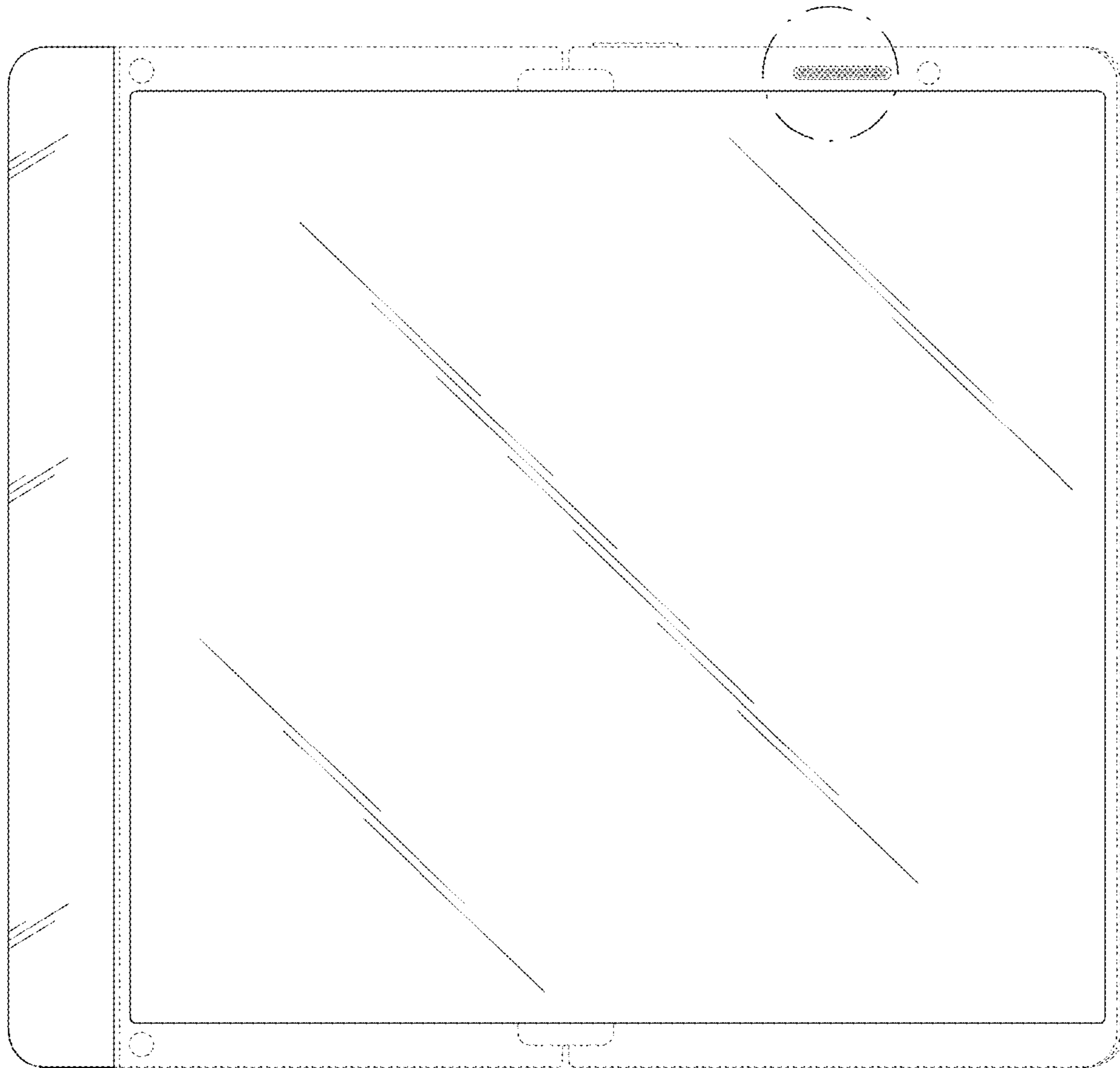


FIG. 3

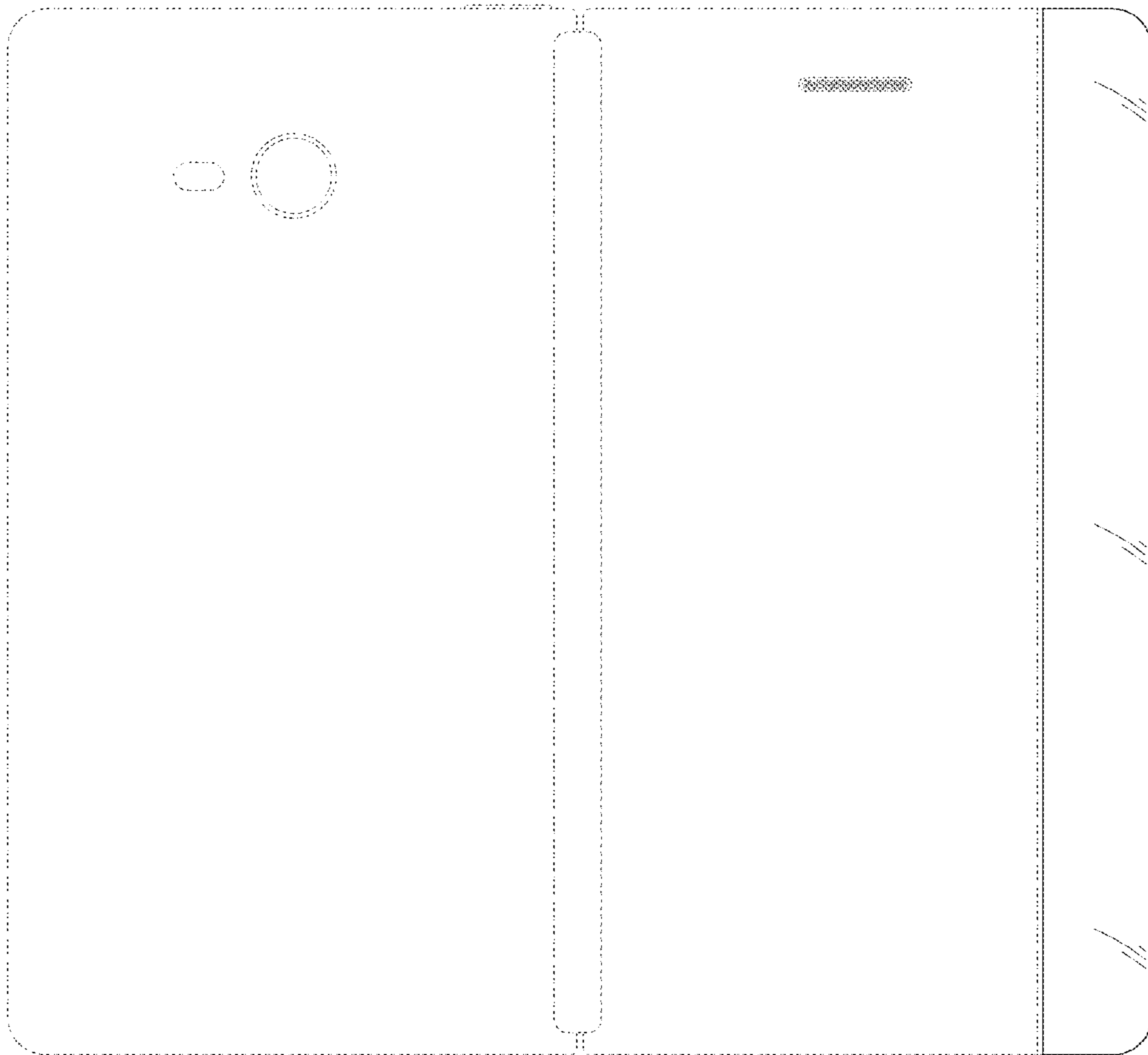


FIG. 4



FIG. 5

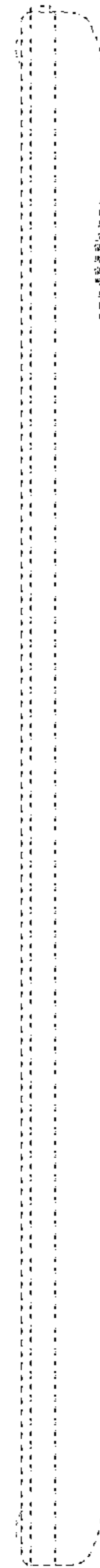


FIG. 6

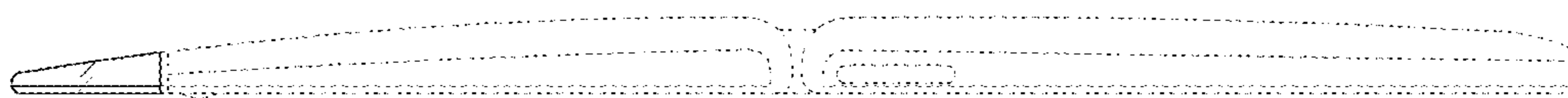


FIG. 7

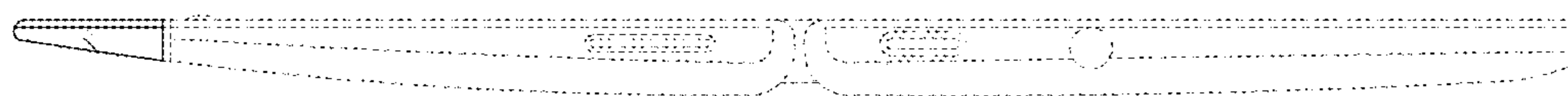


FIG. 8

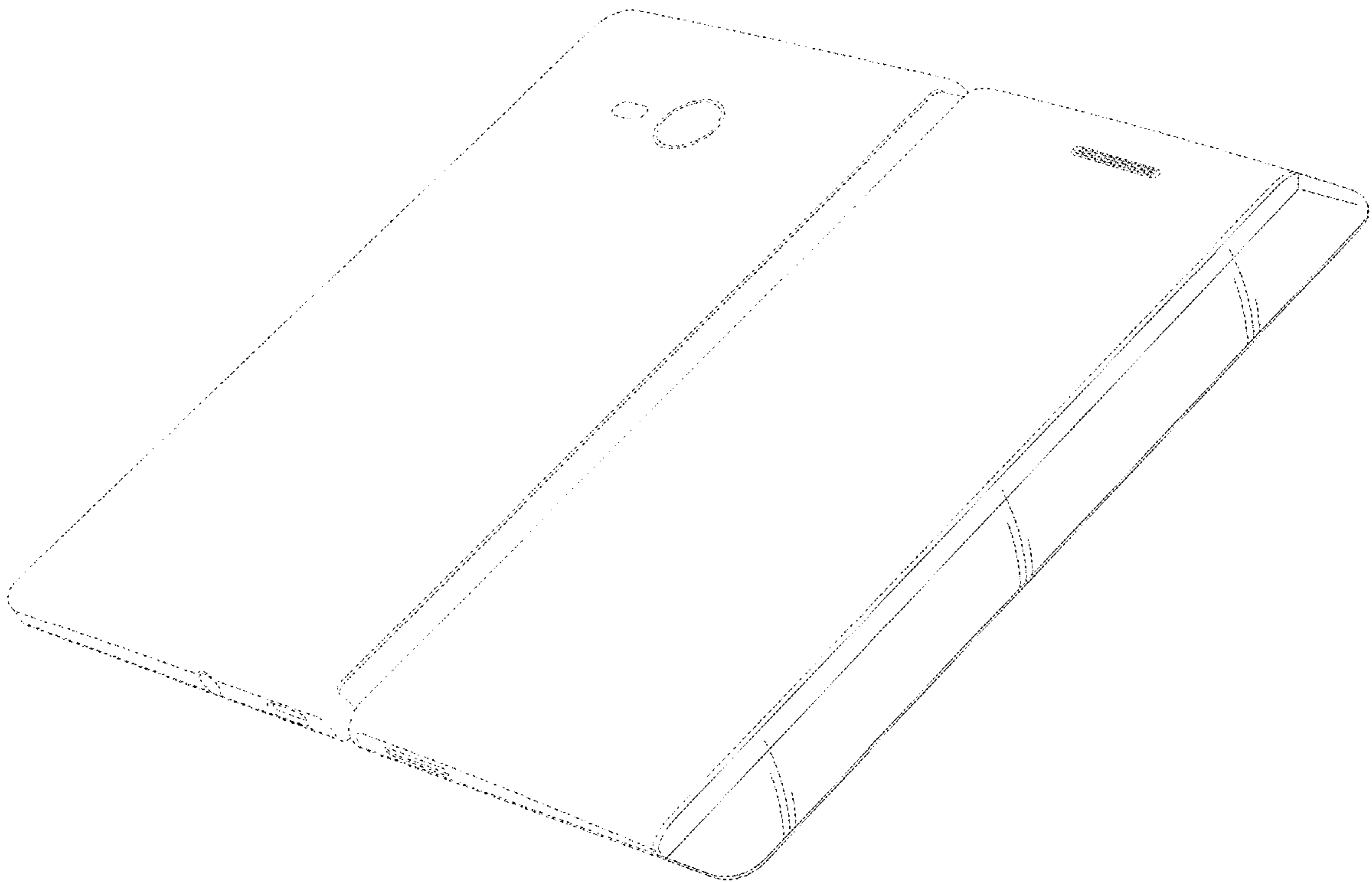


FIG. 9

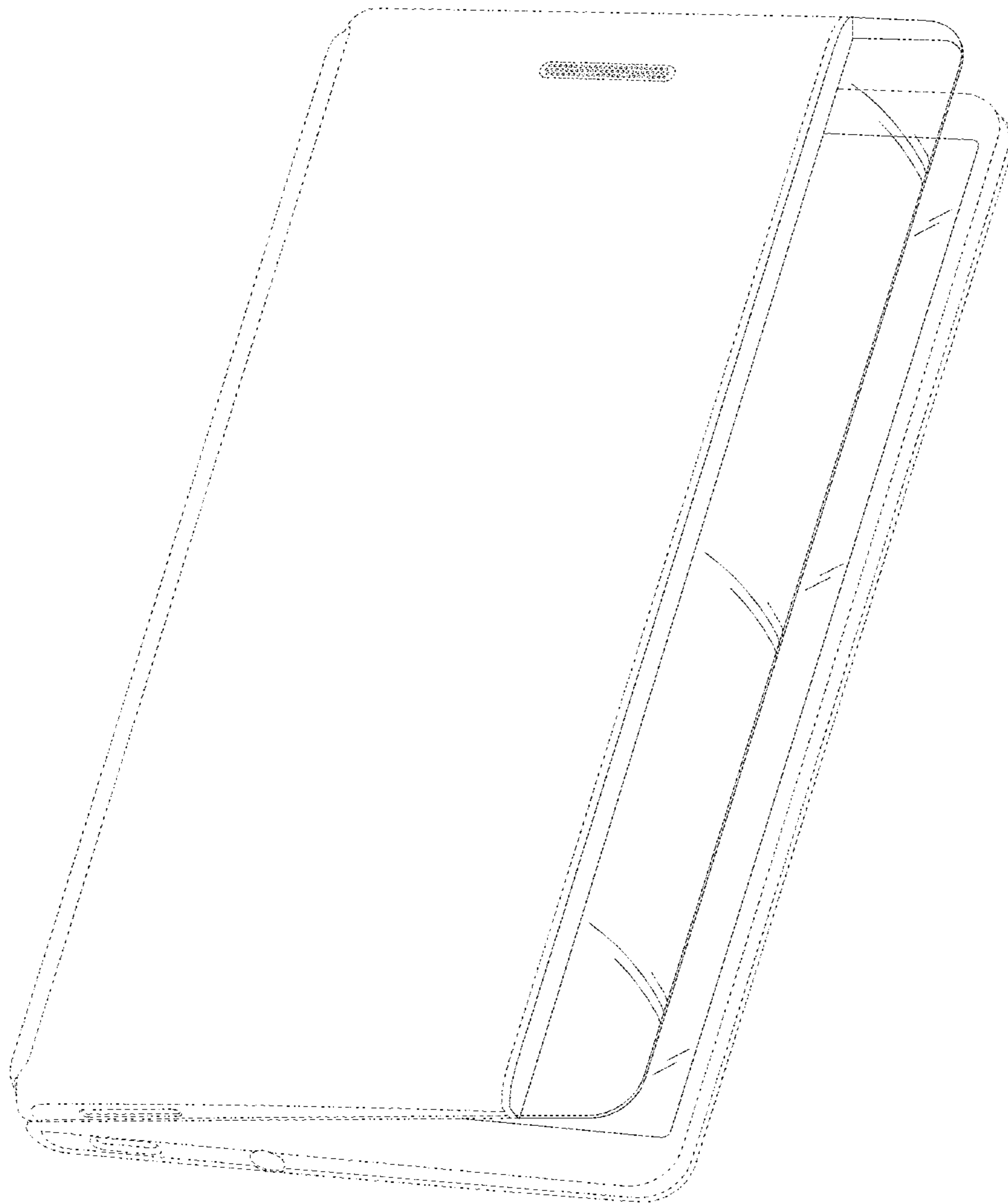


FIG. 10

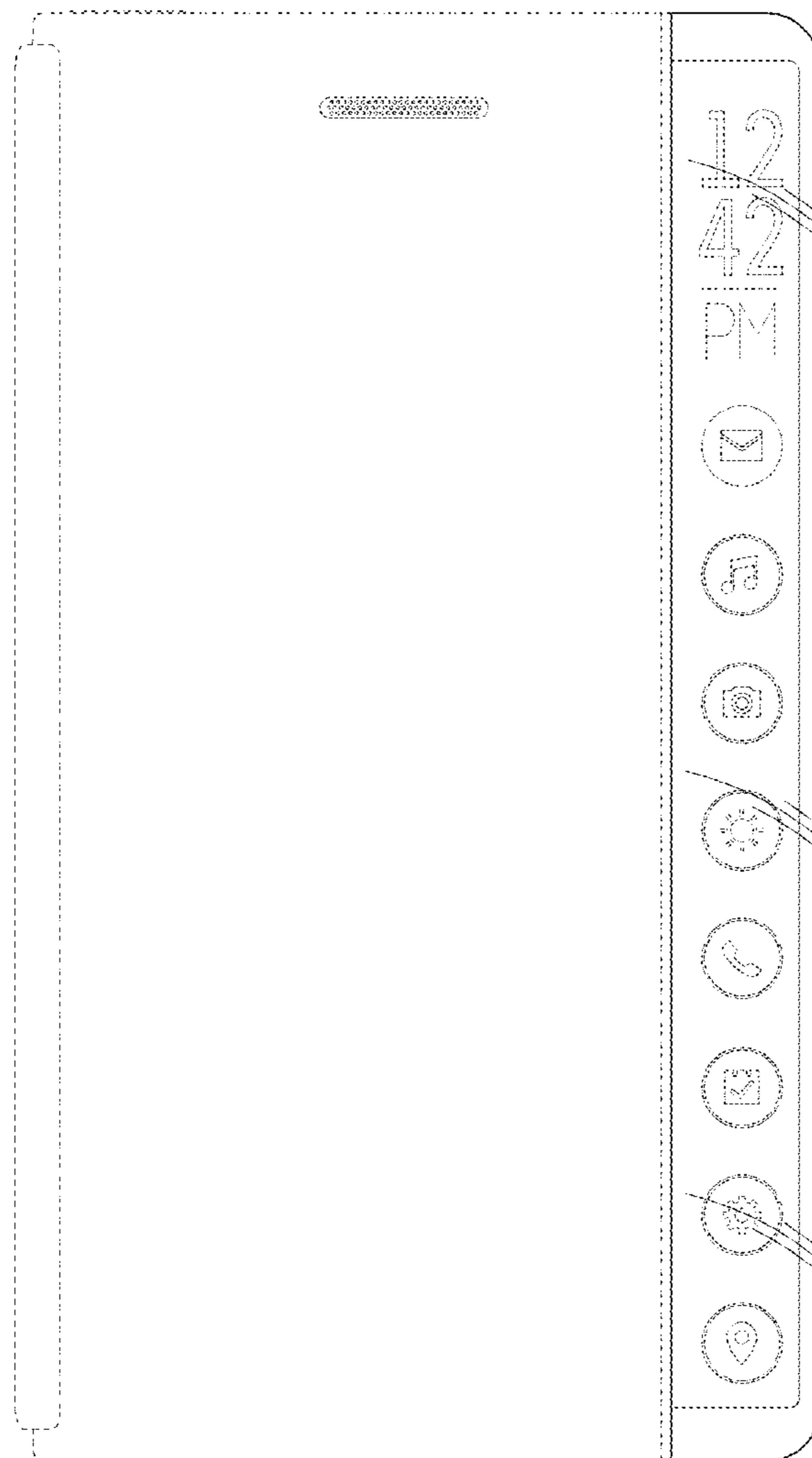


FIG. 11

