



US00D783606S

(12) **United States Design Patent**
Yu et al.

(10) **Patent No.:** **US D783,606 S**

(45) **Date of Patent:** **** Apr. 11, 2017**

(54) **ACTIVITY TRACKER BAND**

(71) Applicants: **Anhui Huami Information Technology Co., Ltd.**, Hefei, Anhui (CN); **Huami Inc.**, Sunnyvale, CA (US)

(72) Inventors: **Pengtao Yu**, Mountain View, CA (US); **Xiaoxi Shi**, Mountain View, CA (US); **Wang Huang**, Beijing (CN); **Yi Zhang**, Anhui (CN); **Lian Zhang**, Anhui (CN)

(73) Assignees: **Anhui Huami Information Technology Co., Ltd.**, Hefei, Anhui (CN); **Huami Inc.**, Mountain View, CA (US)

(**) Term: **15 Years**

(21) Appl. No.: **29/542,204**

(22) Filed: **Oct. 12, 2015**

(51) **LOC (10) Cl.** **14-02**

(52) **U.S. Cl.**
USPC **D14/344**; D24/186; D11/5

(58) **Field of Classification Search**
USPC D14/344, 138 R, 144, 358; D2/623, 626, D2/639, 878; D8/88, 356; D10/30-39, D10/70, 98; D11/3, 87, 93-94, 200, 201, D11/210, 216, 218, 221, 230-231; D24/167, 169, 186-187
CPC G06F 1/163; G06F 1/1628; G06F 1/1626; G06F 1/1635; G06F 1/08; G06F 1/10; G06F 1/04; G06F 1/14; G06F 1/3203; A41D 1/002;

(Continued)

(56) **References Cited**

U.S. PATENT DOCUMENTS

D44,048 S * 5/1913 Worms D10/32
D145,831 S * 10/1946 Arpels D10/32

(Continued)

OTHER PUBLICATIONS

Which Hardware Companies Could Put Xiaomi Back on Track in 2016?, posted Dec. 28, 2015, [retrieved Aug. 16, 2016]. Retrieved from Internet, <URL: <http://technode.com/2015/12/28/which-hardware-companies-could-put-xiaomi-back-on-track-in-2016/>>.*

Primary Examiner — Barbara Fox

Assistant Examiner — Kristin E Reed

(74) *Attorney, Agent, or Firm* — Young Basile Hanlon & MacFarlane, P.C.

(57) **CLAIM**

The ornamental design for an activity tracker band, as shown and described.

DESCRIPTION

FIG. 1 is a perspective view of the front and left side of an activity tracker band according to our new design.

FIG. 2 is a front view of the activity tracker band of FIG. 1.

FIG. 3 is a rear view of the activity tracker band of FIG. 1.

FIG. 4 is a right view of the activity tracker band of FIG. 1.

FIG. 5 is a left side view of the activity tracker band of FIG. 1.

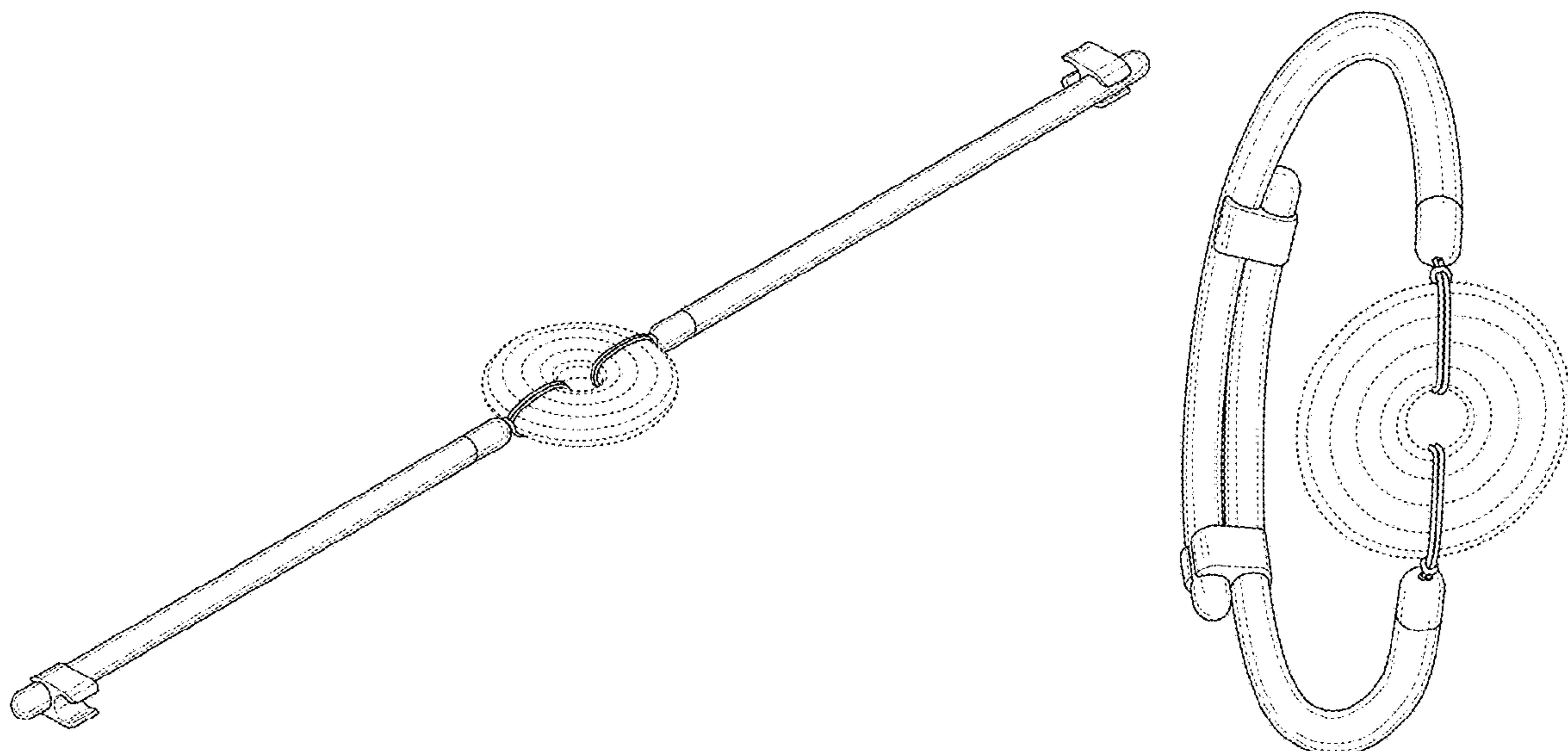
FIG. 6 is a top view of the activity tracker band of FIG. 1.

FIG. 7 is a bottom view of the activity tracker band of FIG. 1; and,

FIG. 8 is a perspective view of the activity tracker band of FIGS. 1-7 in an alternate, fastened position.

The broken line showing of the activity track module illustrates environment and forms no part of the claimed design.

1 Claim, 4 Drawing Sheets



(58) **Field of Classification Search**

CPC H04M 1/02; H04M 1/03; H04M 1/04;
 H04M 1/05; H04M 1/667; H04M 1/6058;
 Y02B 60/1217; H04B 1/385; H04B
 1/3888; H04B 1/3833; A44C 5/00

See application file for complete search history.

(56) **References Cited**

U.S. PATENT DOCUMENTS

D146,300	S	*	2/1947	Chifari	D10/32
D269,254	S	*	6/1983	Kishimoto	D10/32
D299,117	S	*	12/1988	Maroni	D10/32
D312,587	S	*	12/1990	Bulgari	D10/32
D390,128	S	*	2/1998	Toribio	D10/32
D452,958	S	*	1/2002	Goulet Mauboussin	D11/3
D534,065	S	*	12/2006	Andre	D14/205
D602,799	S	*	10/2009	Colombani	D11/3
D618,128	S	*	6/2010	Clark	D11/3
D625,214	S	*	10/2010	Lebail	D11/3
D631,777	S	*	2/2011	Marchand	D11/11
D648,685	S	*	11/2011	Symons	D13/155
D658,085	S	*	4/2012	Rafaelian	D11/3
D658,086	S	*	4/2012	Rafaelian	D11/3
D658,087	S	*	4/2012	Rafaelian	D11/3
D658,528	S	*	5/2012	Rafaelian	D11/3
D662,849	S	*	7/2012	Rafaelian	D11/3
D678,102	S	*	3/2013	Rafaelian	D11/3
D687,735	S	*	8/2013	Frigerio	D11/3
D724,475	S	*	3/2015	Lux	D11/5
D724,985	S	*	3/2015	Blondet	D11/5
D753,942	S	*	4/2016	Akana	D6/682.5
D754,020	S	*	4/2016	Homer	D11/4
2013/0020367	A1	*	1/2013	Buckley	A63B 57/353 224/584

* cited by examiner

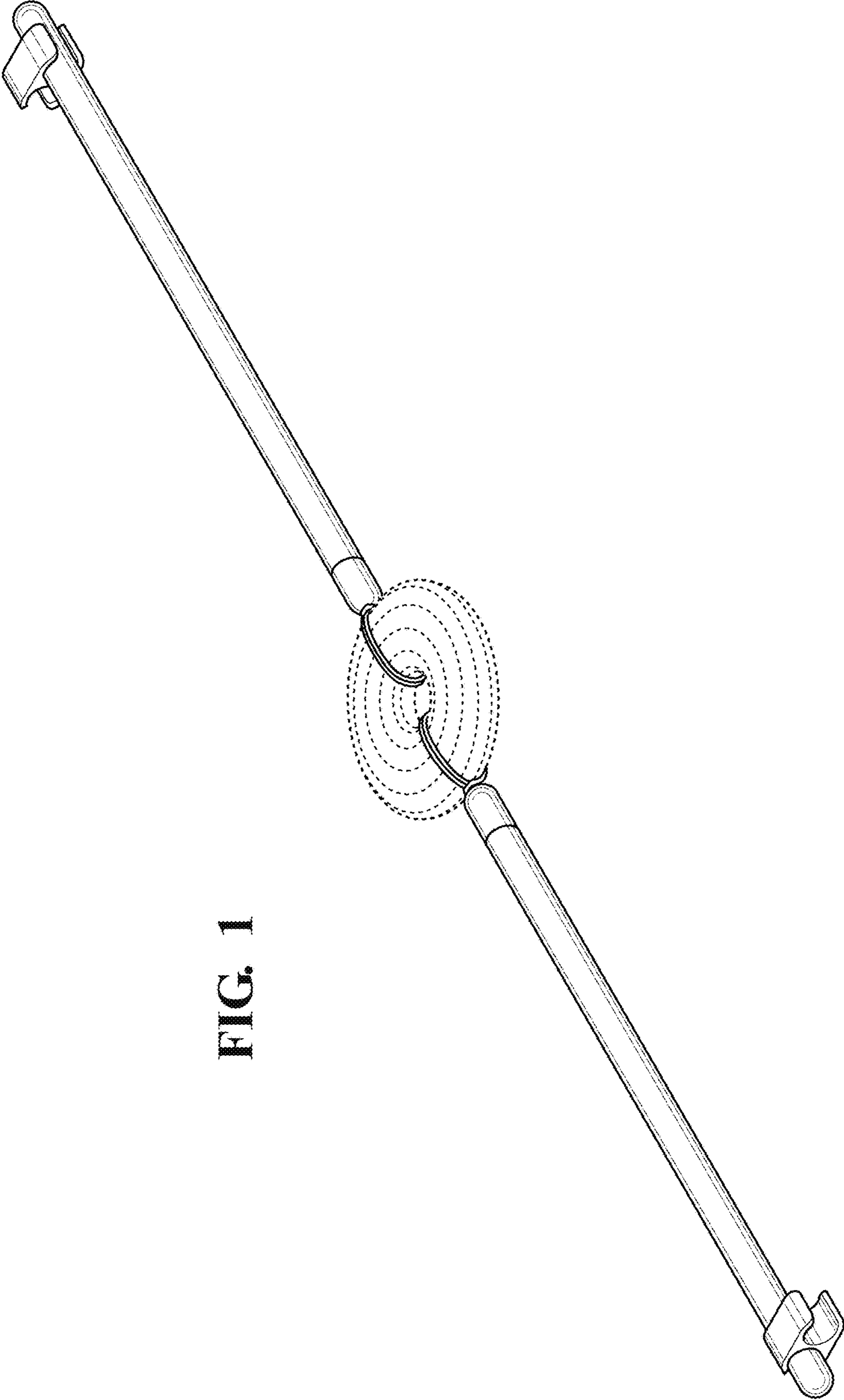


FIG. 1

FIG. 2

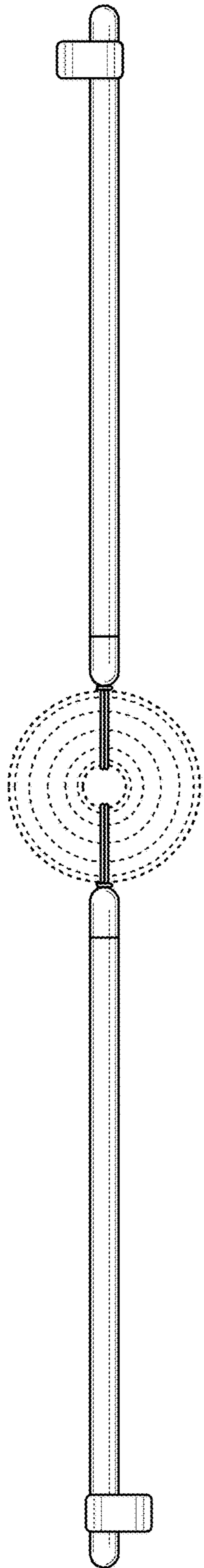


FIG. 3

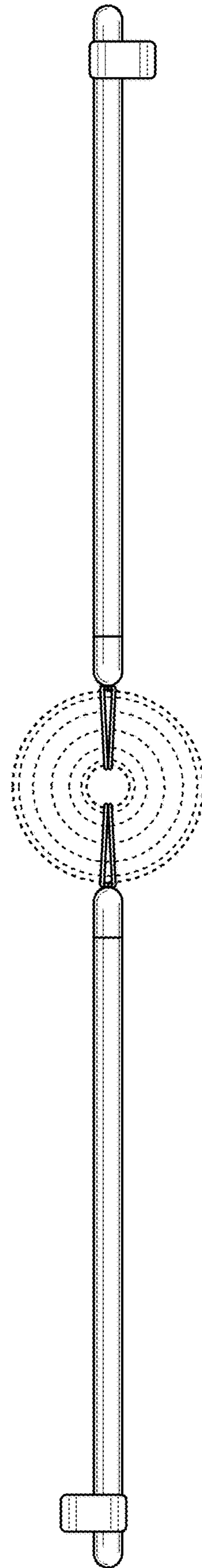


FIG. 4

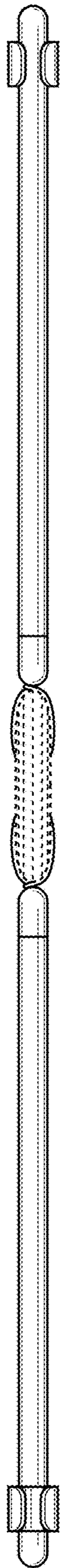


FIG. 5

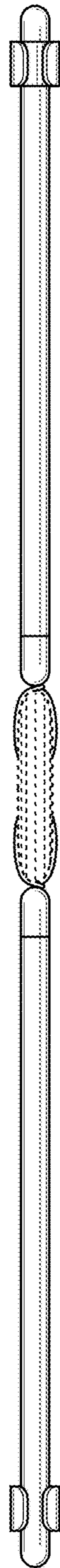


FIG. 6



FIG. 7

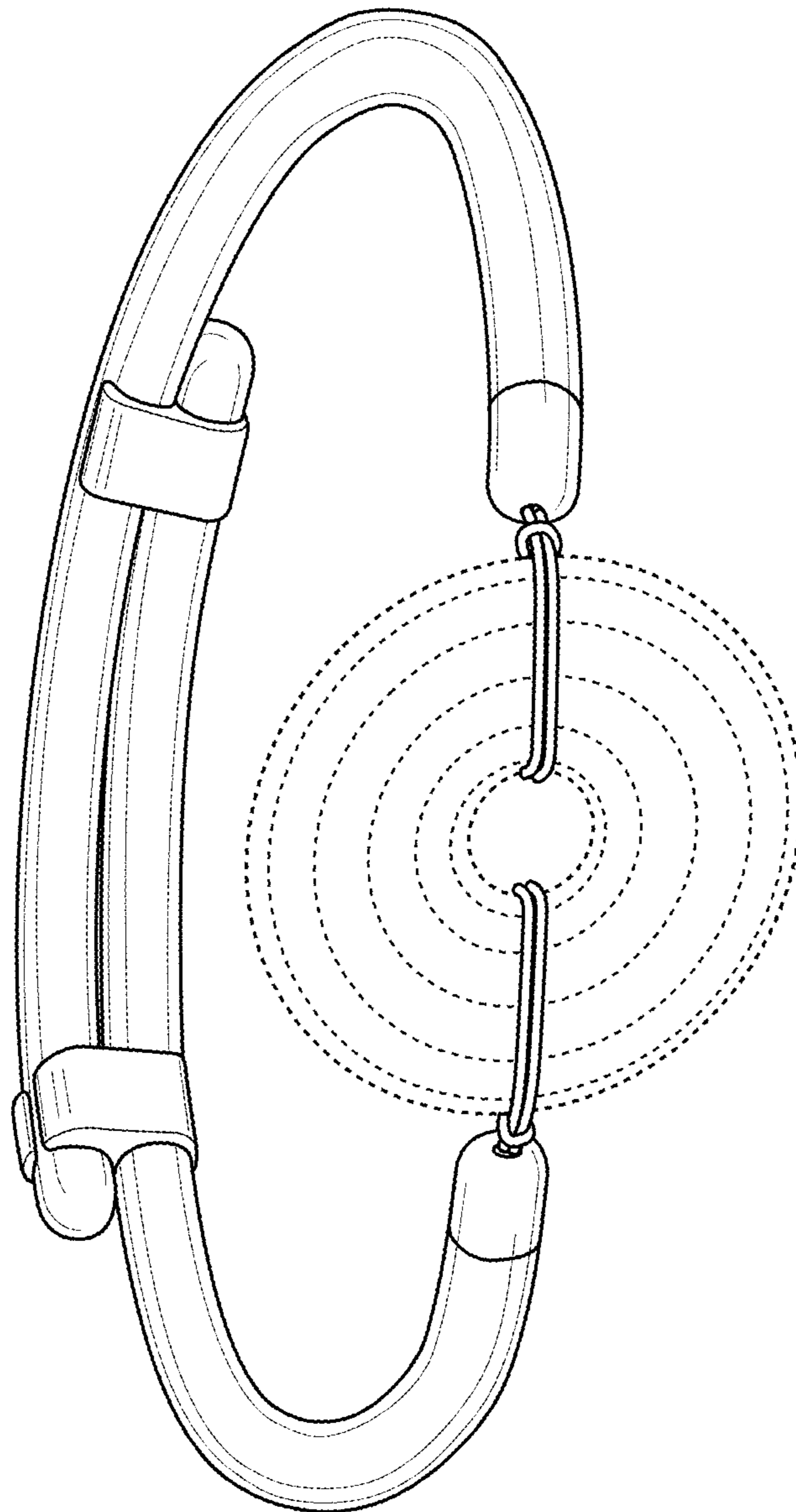


FIG. 8