



US00D783605S

(12) **United States Design Patent**  
**Lin et al.**

(10) **Patent No.:** **US D783,605 S**  
(45) **Date of Patent:** **\*\* Apr. 11, 2017**

(54) **SMART WATCH**

(71) Applicant: **HON HAI PRECISION INDUSTRY CO., LTD.**, New Taipei (TW)

(72) Inventors: **Hsin-Hao Lin**, New Taipei (TW);  
**Ching-Min Lin**, New Taipei (TW)

(73) Assignee: **HON HAI PRECISION INDUSTRY CO., LTD.**, New Taipei (TW)

(\*\*) Term: **14 Years**

(21) Appl. No.: **29/515,099**

(22) Filed: **Jan. 20, 2015**

(30) **Foreign Application Priority Data**

Dec. 30, 2014 (TW) ..... 103307705

(51) **LOC (10) Cl.** ..... **14-02**

(52) **U.S. Cl.**  
USPC ..... **D14/344**

(58) **Field of Classification Search**  
USPC ..... D2/623, 626, 639, 878; D8/88, 356;  
D10/30-39, 70, 98; D11/3, 87, 93-94,  
D11/200, 201, 210, 216, 218, 221,  
D11/230-231; D14/344, 138 R, 144,  
D14/358; D24/167, 169, 186-187  
CPC ..... G06F 1/163; G06F 1/1628; G06F 1/1626;  
G06F 1/1635; G06F 1/08; G06F 1/10;  
G06F 1/04; G06F 1/14; G06F 1/3203;  
A41D 1/002; H04M 1/02; H04M 1/03;  
H04M 1/04; H04M 1/05; H04M 1/667;  
H04M 1/6058; Y02B 60/1217; H04B  
1/385; H04B 1/3888; H04B 1/3833;  
A44C 5/00

See application file for complete search history.

(56) **References Cited**

**U.S. PATENT DOCUMENTS**

5,758,297 A \* 5/1998 Gaultier ..... G01C 21/20  
340/971  
D432,028 S \* 10/2000 Burgener ..... D10/32

D449,007 S \* 10/2001 McPadden ..... D10/2  
D451,116 S \* 11/2001 Kono ..... D10/31  
6,314,184 B1 \* 11/2001 Fernandez-Martinez H04B 1/385  
379/433.1  
D452,957 S \* 1/2002 Bodino ..... D10/32  
(Continued)

**OTHER PUBLICATIONS**

Rumors on an Apple Smart Watch Surface, posted Feb. 12, 2013,  
[retrieved Sep. 30, 2016]. Retrieved from Internet, <URL: <http://www.vincentabry.com/en/rumors-on-an-apple-smart-watch-surface-3663>>.\*

(Continued)

*Primary Examiner* — Barbara Fox

*Assistant Examiner* — Kristin E Reed

(74) *Attorney, Agent, or Firm* — Steven M. Reiss

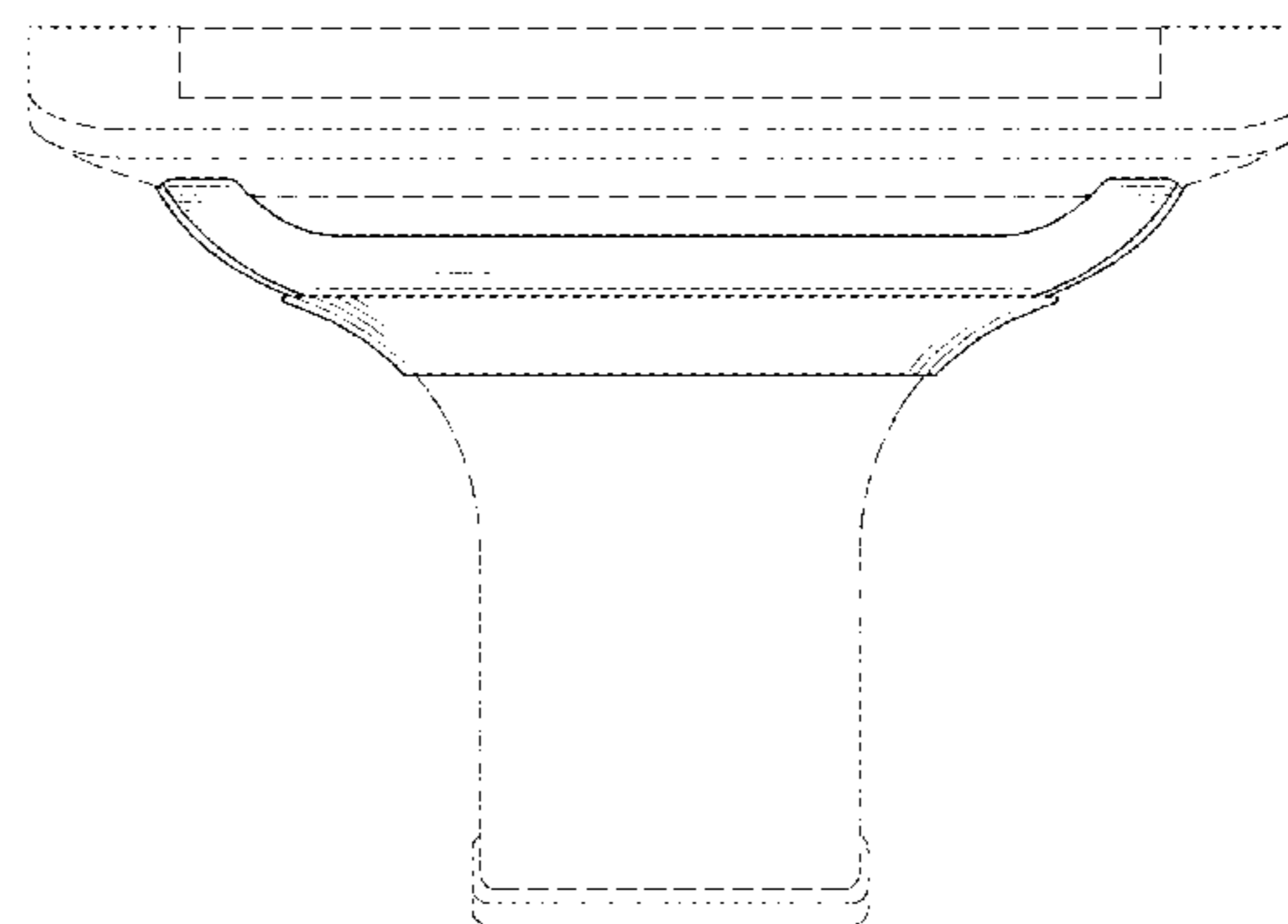
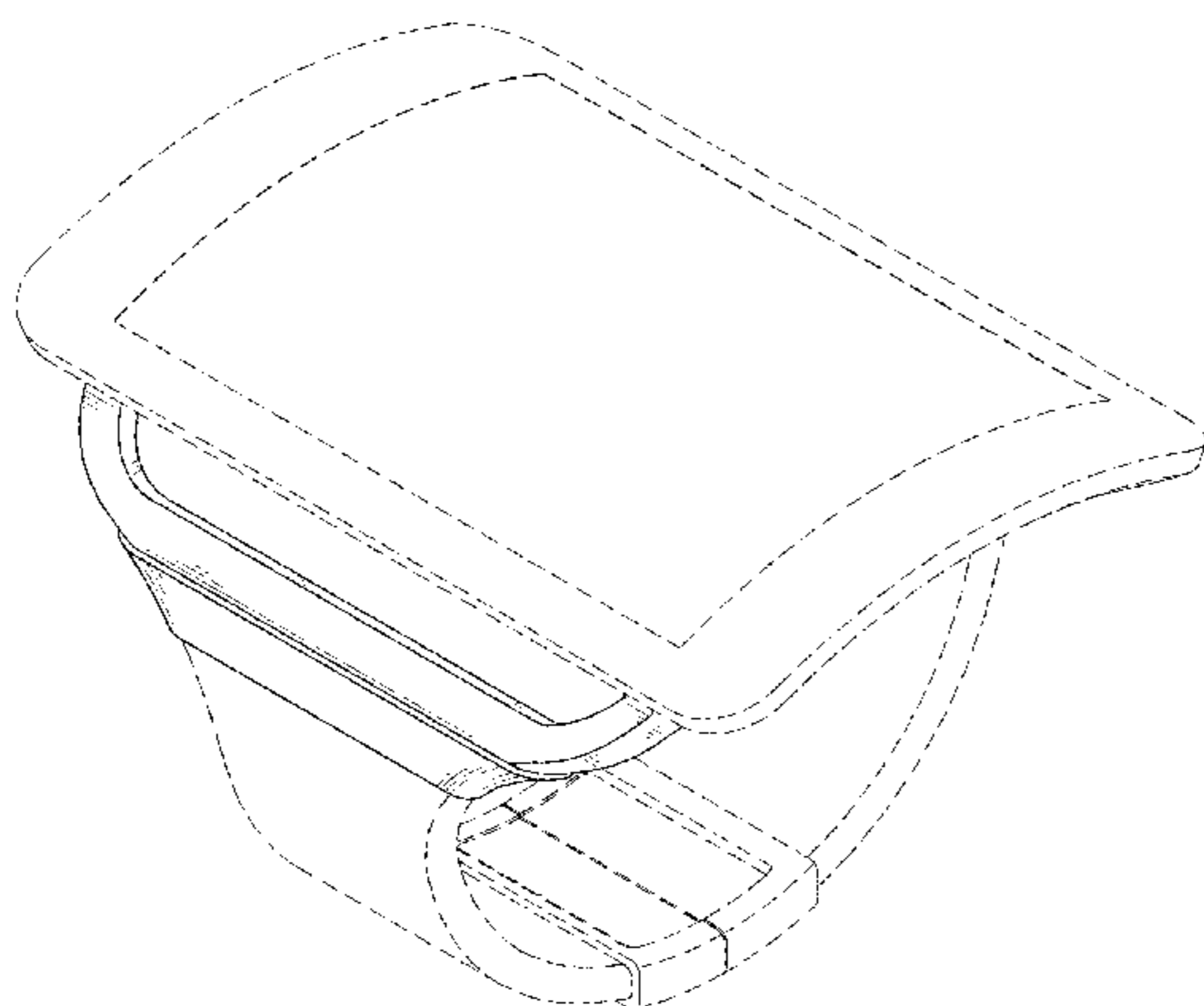
(57) **CLAIM**

The ornamental design for a smart watch, as shown and described.

**DESCRIPTION**

FIG. 1 is a perspective view of a smart watch showing our new design;  
FIG. 2 is a front elevational view thereof, the rear elevational view, not shown, being the same as the front elevational view;  
FIG. 3 is a right-side elevational view thereof, the left-side elevational view, not shown, being the same as the right-side elevational view;  
FIG. 4 is a top plan view thereof; and,  
FIG. 5 is a bottom plan view thereof.  
The broken lines shown in the drawings illustrate portions of the smart watch that form no part of the claimed design.

**1 Claim, 5 Drawing Sheets**



(56)

**References Cited**

U.S. PATENT DOCUMENTS

D454,551 S \* 3/2002 Bonadei ..... D10/31  
D508,738 S \* 8/2005 Lodato ..... D14/138 R  
D560,135 S \* 1/2008 Kohl ..... D11/26  
D563,821 S \* 3/2008 McKeever ..... D11/26  
D627,032 S \* 11/2010 Gimbert ..... D22/143  
D667,753 S \* 9/2012 Nanbu ..... D11/210  
D684,697 S \* 6/2013 Green ..... D24/143  
D724,971 S \* 3/2015 Bailey ..... D10/70  
D726,140 S \* 4/2015 Park ..... D14/138 R  
D726,678 S \* 4/2015 Park ..... D14/138 R  
D730,348 S \* 5/2015 Grifoni ..... D14/344  
D733,133 S \* 6/2015 Kim ..... D14/344  
D748,013 S \* 1/2016 Spater ..... D11/218  
D764,323 S \* 8/2016 Yang ..... D10/38  
2009/0088230 A1 \* 4/2009 Park ..... C02F 1/325  
455/575.6

OTHER PUBLICATIONS

A scagliola coffee table, posted date unknown, [retrieved Sep. 30, 2016]. Retrieved from Internet, <URL: [http://www.nicholaswells.com/store/p630/A\\_scagliola\\_coffee\\_table.html](http://www.nicholaswells.com/store/p630/A_scagliola_coffee_table.html) >.\*

\* cited by examiner

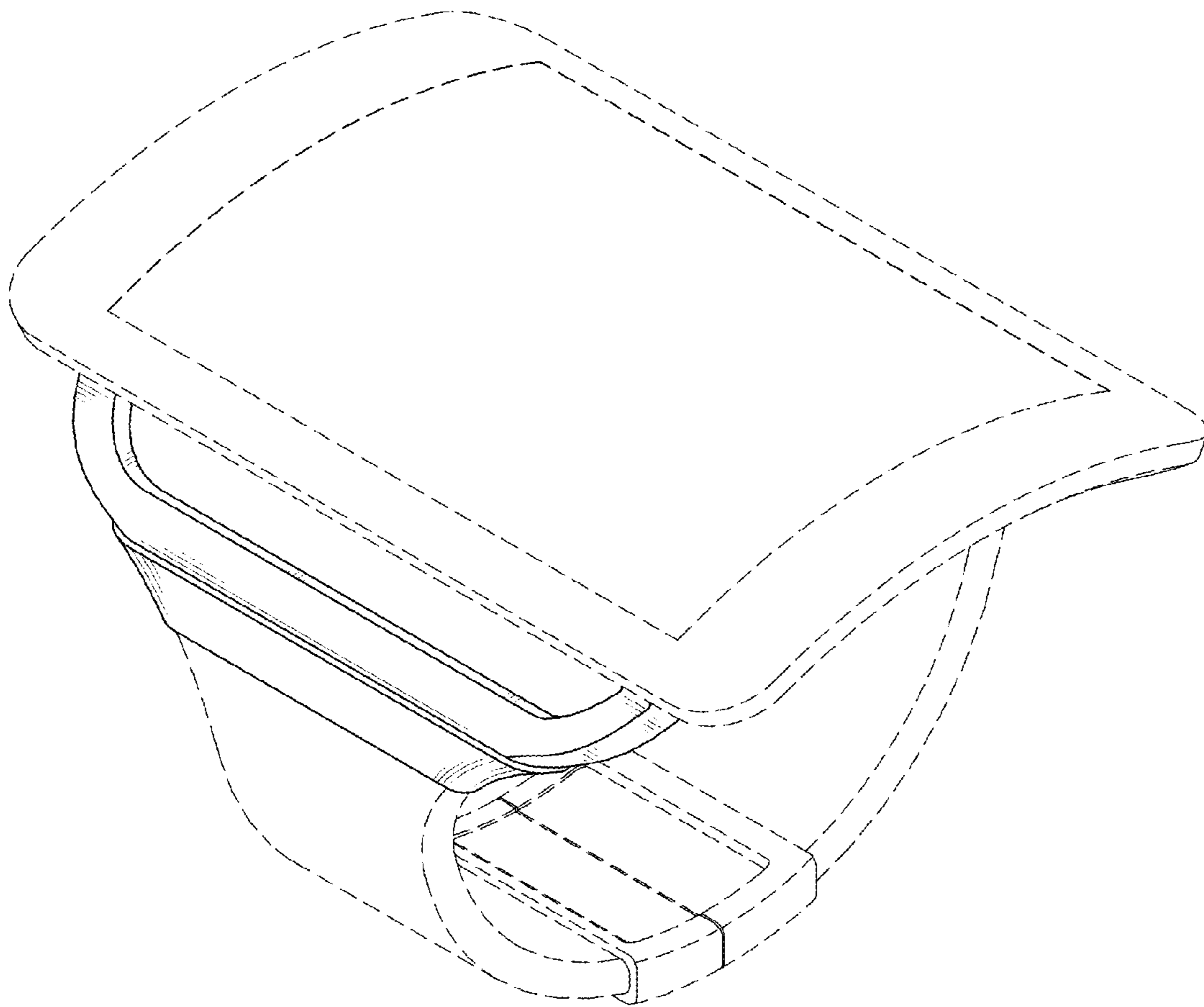


FIG. 1

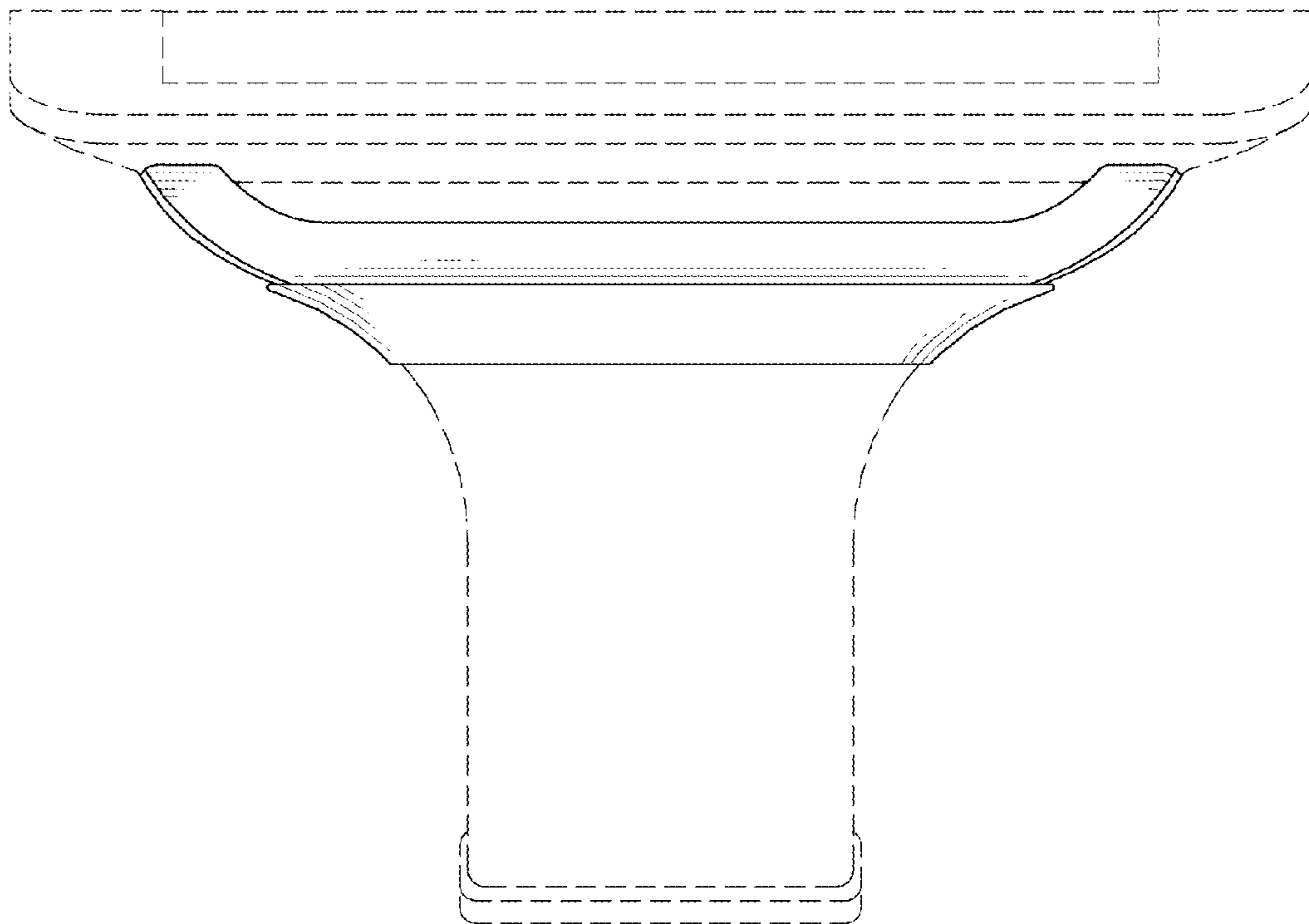


FIG. 2

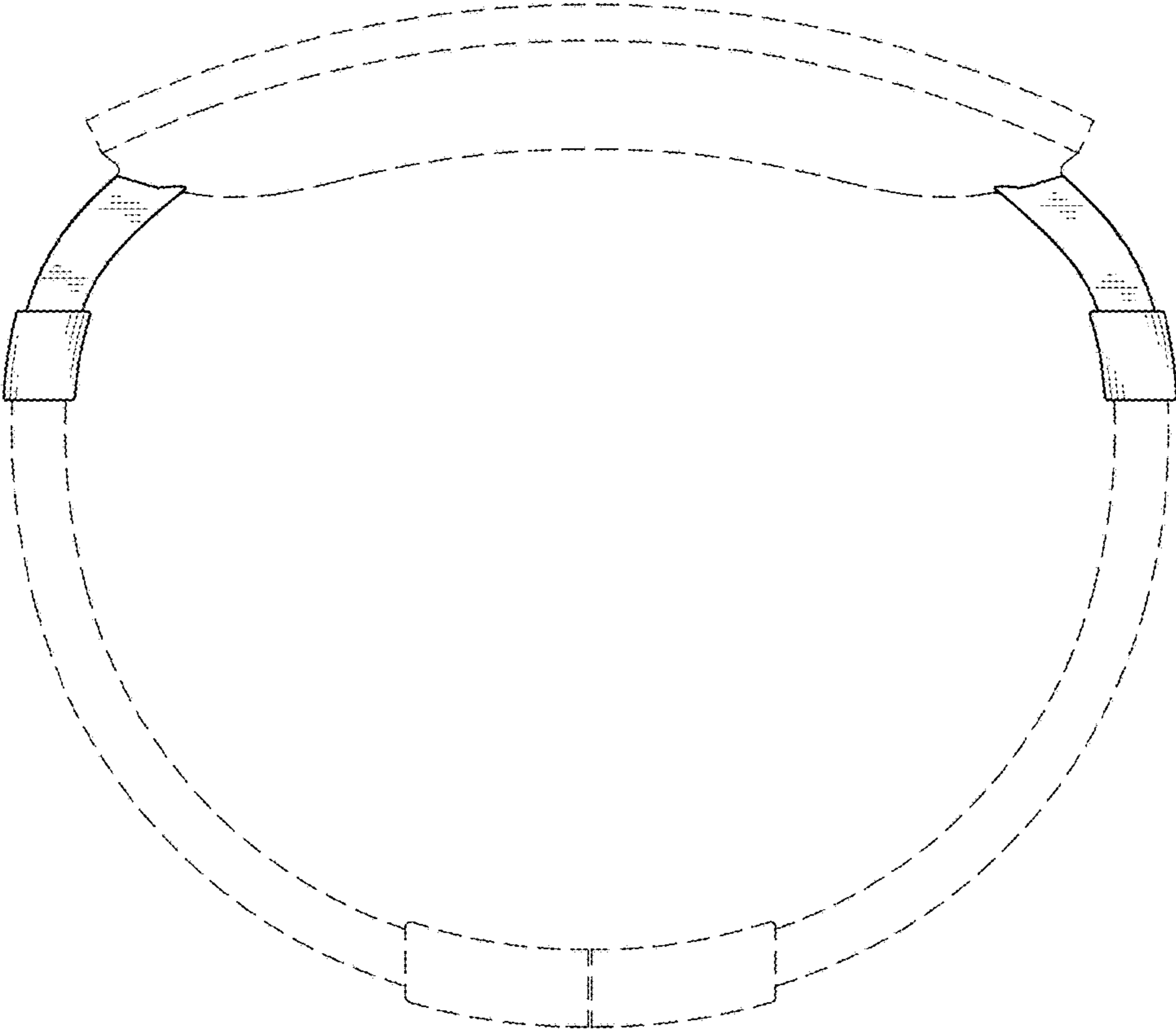


FIG. 3

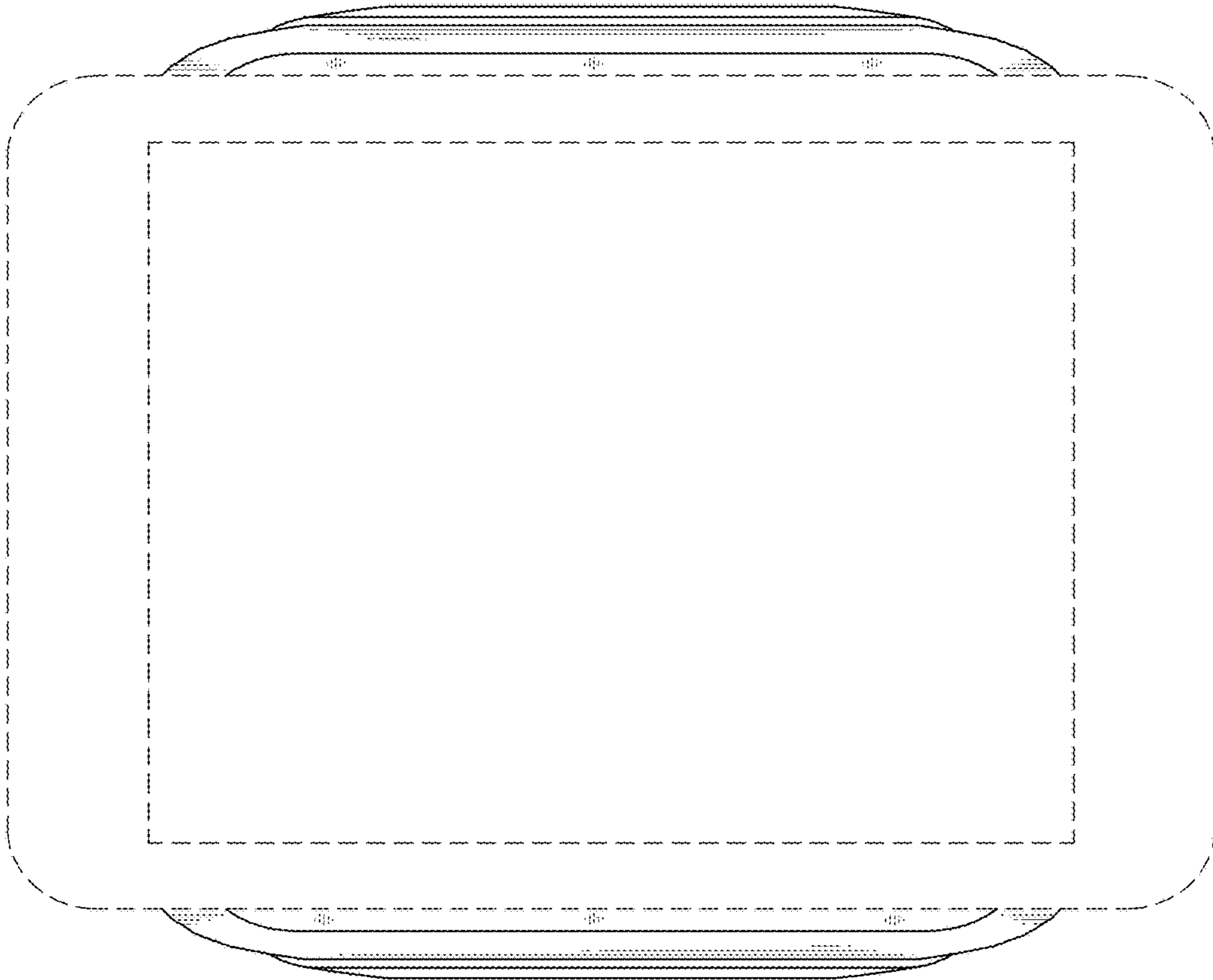


FIG. 4

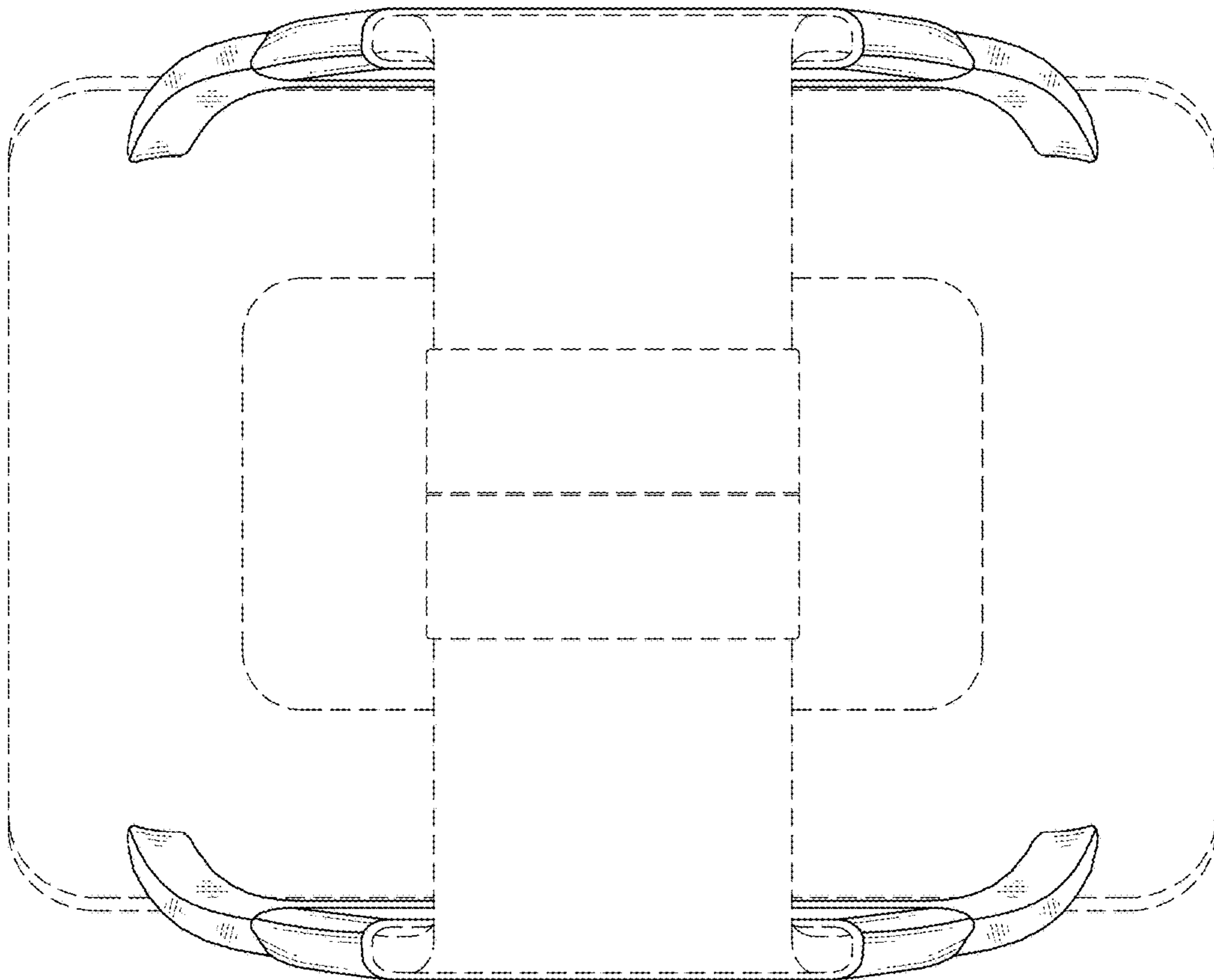


FIG. 5