



US00D783604S

(12) **United States Design Patent** (10) **Patent No.:** **US D783,604 S**  
**Wesolek** (45) **Date of Patent:** **\*\* Apr. 11, 2017**

(54) **TABLET COMPUTER**  
(71) Applicant: **Data Ltd., Inc.**, Lehigh Acres, FL (US)  
(72) Inventor: **Bryan J. Wesolek**, Lehigh Acres, FL (US)  
(73) Assignee: **DATA LTD. INC.**, Lehigh Acres, FL (US)  
(\*\*) Term: **15 Years**

(21) Appl. No.: **29/536,271**  
(22) Filed: **Aug. 14, 2015**  
(51) **LOC (10) Cl.** ..... **14-02**  
(52) **U.S. Cl.**  
USPC ..... **D14/341**  
(58) **Field of Classification Search**  
USPC ..... D14/341-347, 137, 138 R, 138 AA, D14/138 C, 138 G, 496, 203.1, 203.3, D14/203.4, 203.7, 129, 130, 147, 218, D14/248, 389, 388, 426, 420, 440; D10/65, 104.1; D18/6, 7; D21/324, 329, D21/330; 455/556.1, 556.2, 566, 575.1, 455/90.3; 379/433.04, 433.01, 433.06, 379/916; 345/173, 901, 905; 361/679.26, 361/670.3, 679.55, 679.56  
CPC .... H04M 1/00; H04M 11/066; H04M 1/2478; H04M 1/72519; H04M 2201/38; H04M 2250/22; G06F 15/00  
See application file for complete search history.

(56) **References Cited**  
U.S. PATENT DOCUMENTS  
D536,337 S \* 2/2007 Chuang ..... D14/336  
D601,557 S \* 10/2009 Wesolek ..... D14/341

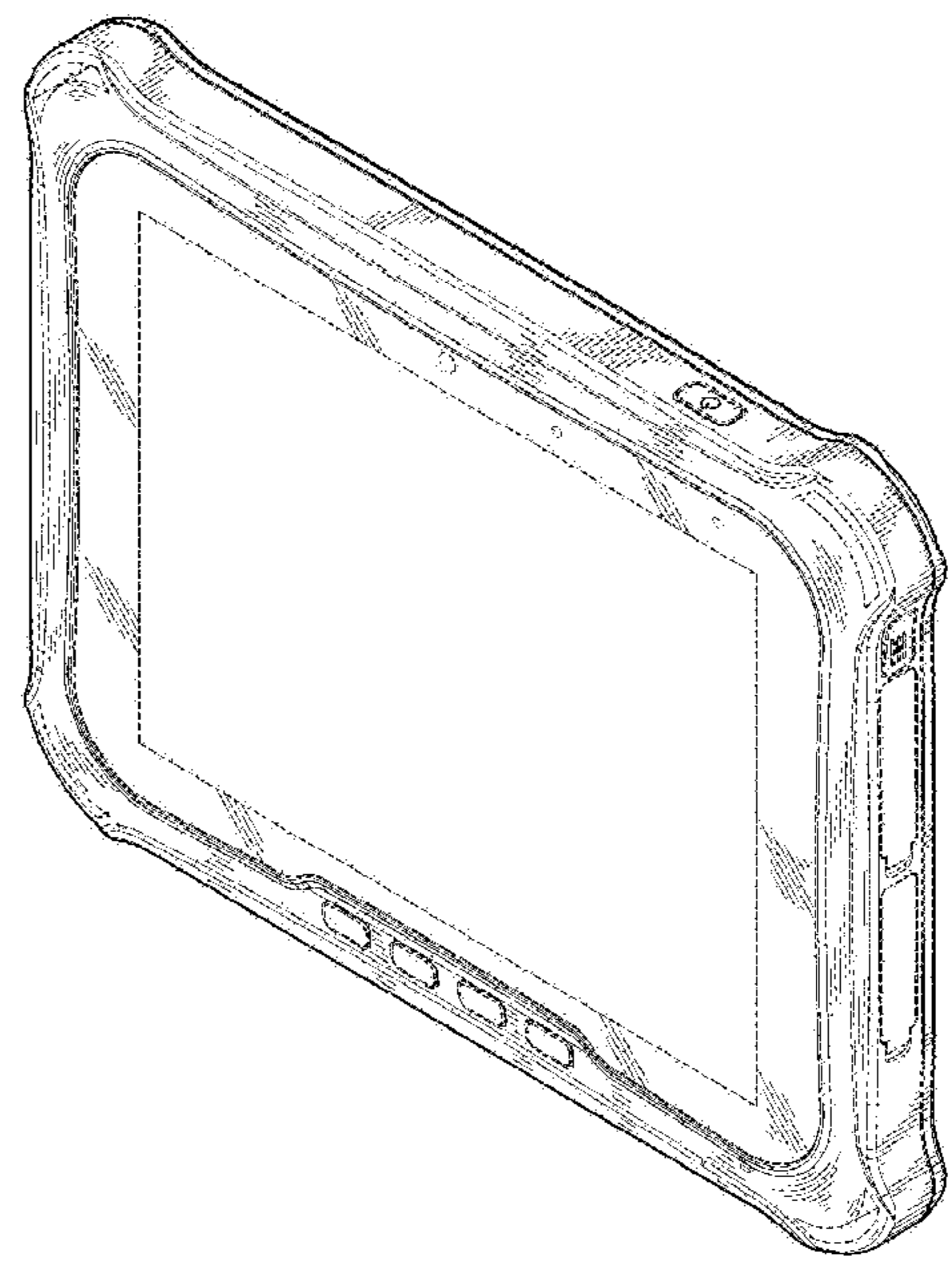
D605,850 S \* 12/2009 Richardson ..... D3/218  
D654,499 S \* 2/2012 Wesolek ..... D14/341  
D672,767 S \* 12/2012 Yoneya ..... D14/341  
D688,240 S \* 8/2013 Wesolek ..... D14/341  
D690,296 S \* 9/2013 Wesolek ..... D14/341  
D694,752 S \* 12/2013 Li ..... D14/341  
D703,665 S \* 4/2014 Suzuki ..... D14/341  
D723,551 S \* 3/2015 Fu ..... D14/341  
D745,003 S \* 12/2015 Carpenter ..... D14/341  
D754,133 S \* 4/2016 Chen ..... D14/440  
D762,644 S \* 8/2016 Maffetone ..... D14/371

\* cited by examiner  
*Primary Examiner* — Garth Rademaker  
*Assistant Examiner* — Katie Stofko Mroczka  
(74) *Attorney, Agent, or Firm* — Juan Carlos A. Marquez; Marquez IP Law Office, PLLC

(57) **CLAIM**  
The ornamental design for a tablet computer, as shown and described.

**DESCRIPTION**  
FIG. 1 is a perspective view of a tablet computer showing the new design;  
FIG. 2 is a front elevational view thereof;  
FIG. 3 is a rear elevational view thereof;  
FIG. 4 is a top plan view thereof;  
FIG. 5 is a bottom plan view thereof  
FIG. 6 is a left elevational view thereof; and,  
FIG. 7 is a right elevational view thereof.  
The broken lines in the drawings illustrate portions of the tablet computer that form no part of the claimed design.

**1 Claim, 5 Drawing Sheets**



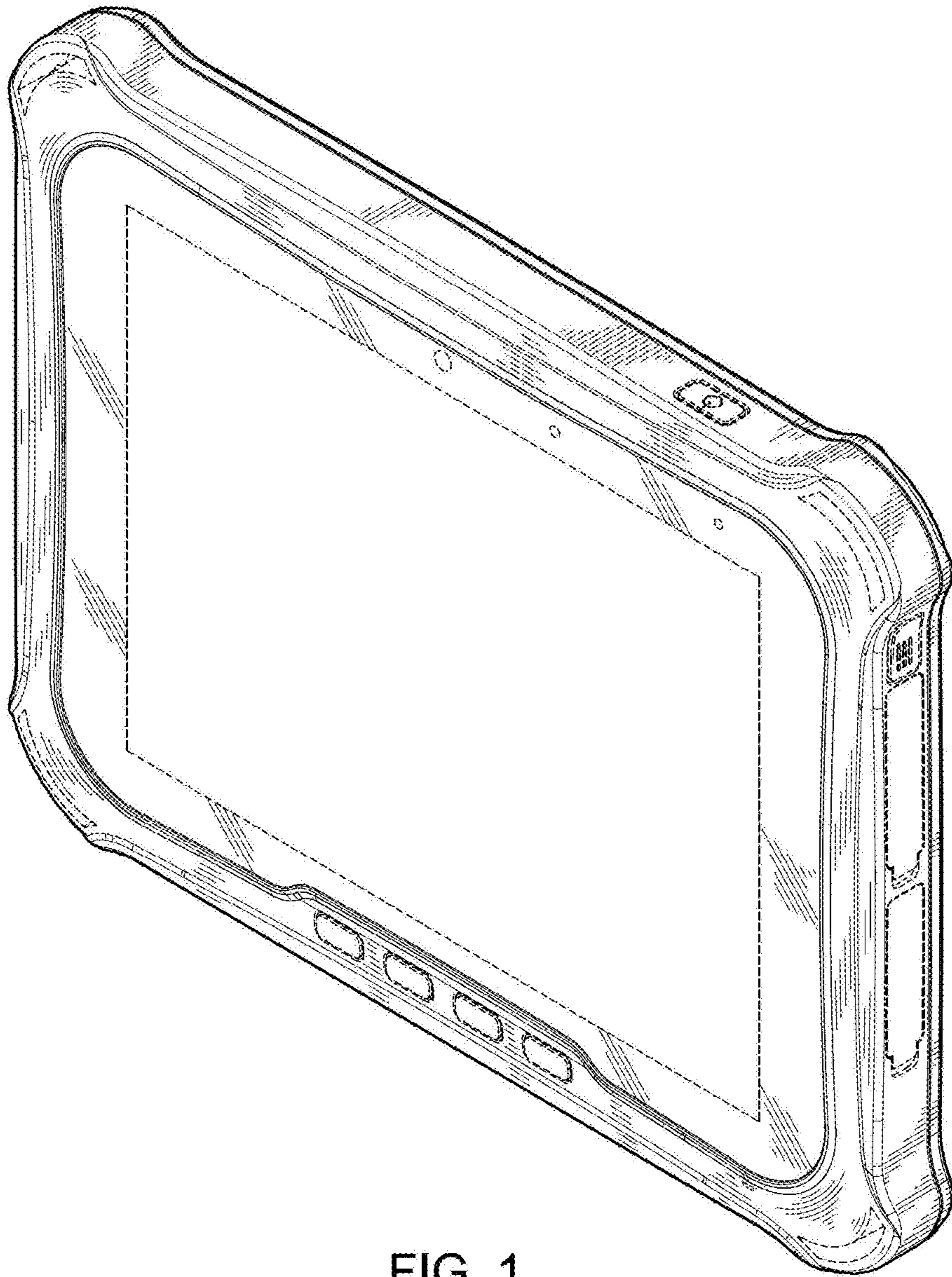


FIG. 1

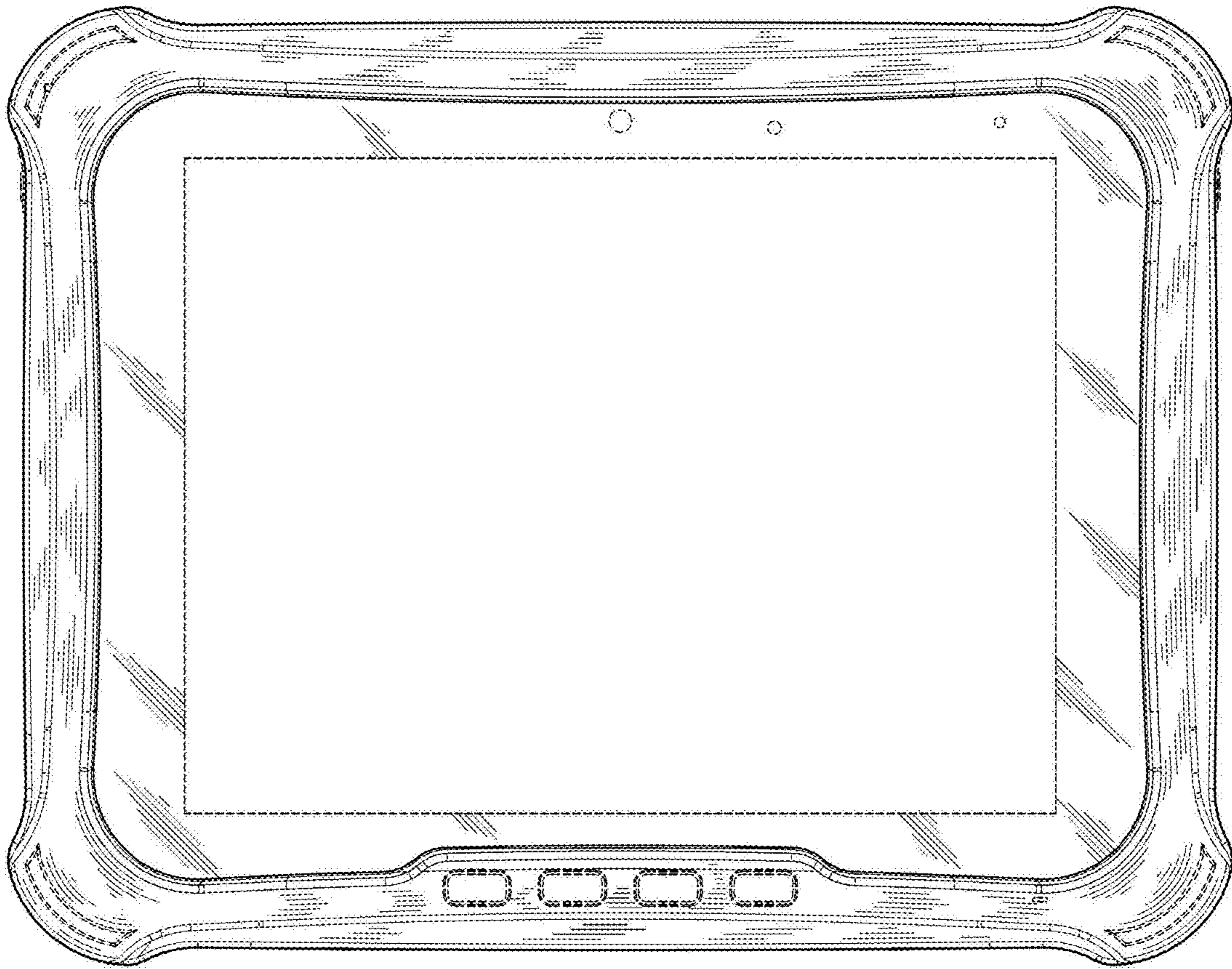


FIG. 2

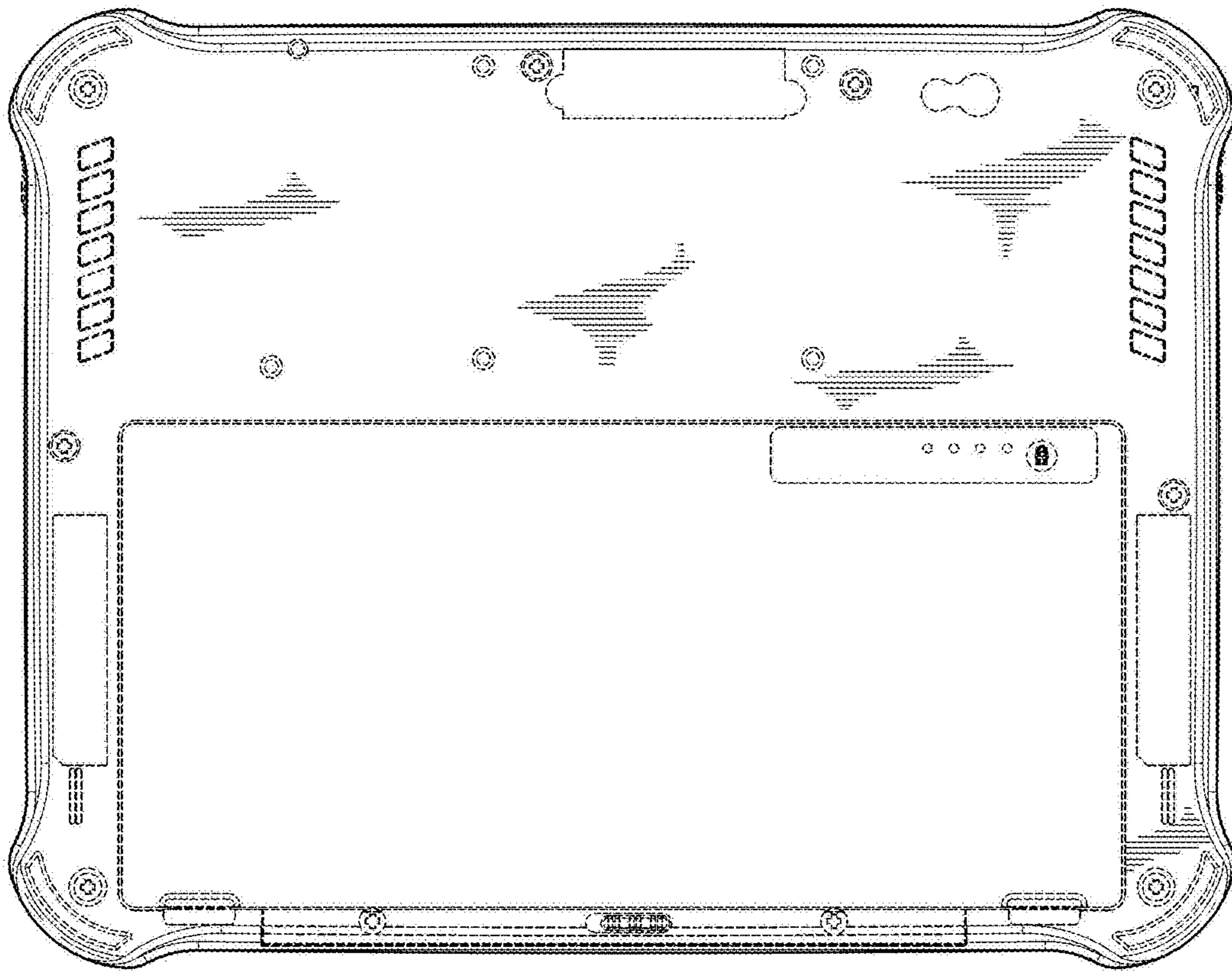


FIG. 3

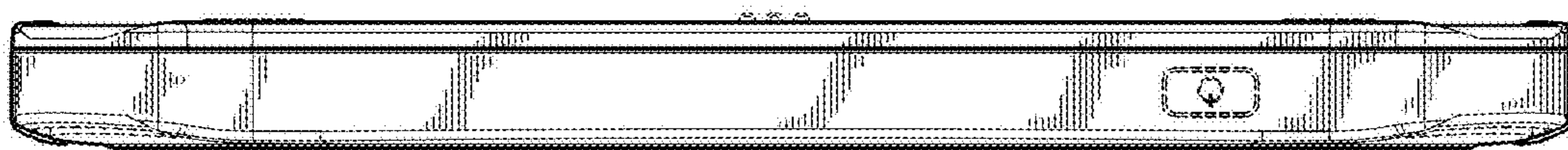


FIG. 4



FIG. 5

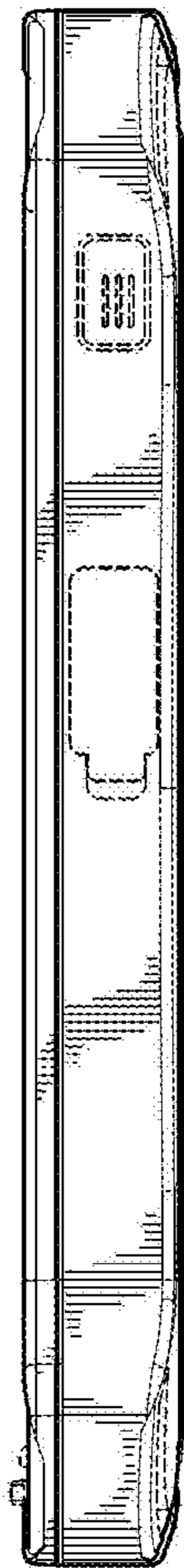


FIG. 6

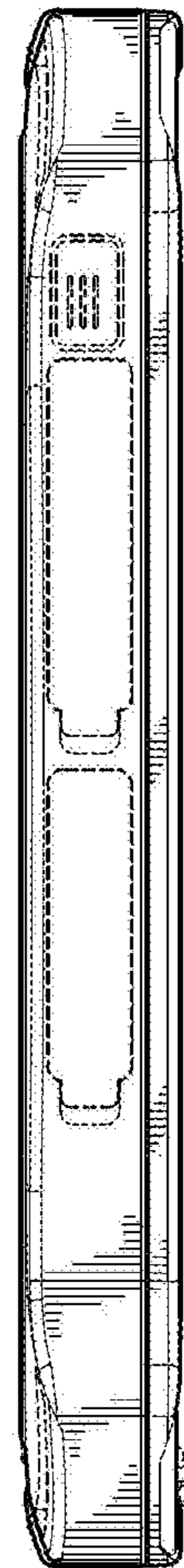


FIG. 7