



US00D783603S

(12) **United States Design Patent**
Satzger et al.

(10) **Patent No.:** **US D783,603 S**

(45) **Date of Patent:** **** Apr. 11, 2017**

(54) **ELECTRONIC DEVICE**

(71) Applicant: **Intel Corporation**, Santa Clara, CA
(US)

(72) Inventors: **Douglas Satzger**, Menlo Park, CA
(US); **David M. Collins**, San Francisco,
CA (US); **Gadi Amit**, San Mateo, CA
(US); **Yoshikazu Hoshino**, San
Francisco, CA (US); **Maura Hoven**,
San Francisco, CA (US); **Jinwoo Kim**,
San Francisco, CA (US); **Luke D.**
Mastrangelo, San Francisco, CA (US);
Kebei Li, San Francisco, CA (US)

(73) Assignee: **Intel Corporation**, Santa Clara, CA
(US)

(**) Term: **15 Years**

(21) Appl. No.: **29/531,730**

(22) Filed: **Jun. 29, 2015**

(51) **LOC (10) Cl.** **14-02**

(52) **U.S. Cl.**
USPC **D14/341**

(58) **Field of Classification Search**
USPC D14/341-347, 137, 138 R, 138 AA,
D14/138 AB, 138 C, 138 G, 203.1, 203.3,
(Continued)

(56) **References Cited**

U.S. PATENT DOCUMENTS

D534,545 S * 1/2007 Leija D14/496
D580,928 S * 11/2008 Bemelmans D14/345

(Continued)

Primary Examiner — Barbara Fox

Assistant Examiner — Dana K Weiland

(74) *Attorney, Agent, or Firm* — Patent Capital Group

(57) **CLAIM**

The ornamental design for an electronic device, as shown and described.

DESCRIPTION

FIG. 1 is a front perspective view of an electronic device showing the new design;

FIG. 2 is a front view thereof;

FIG. 3 is a rear view thereof;

FIG. 4 is a side view thereof;

FIG. 5 is another side view thereof;

FIG. 6 is a top view thereof;

FIG. 7 is a bottom view thereof;

FIG. 8 is a rear perspective view thereof;

FIG. 9 is a front perspective view illustrating content displayed in a first position by the electronic device;

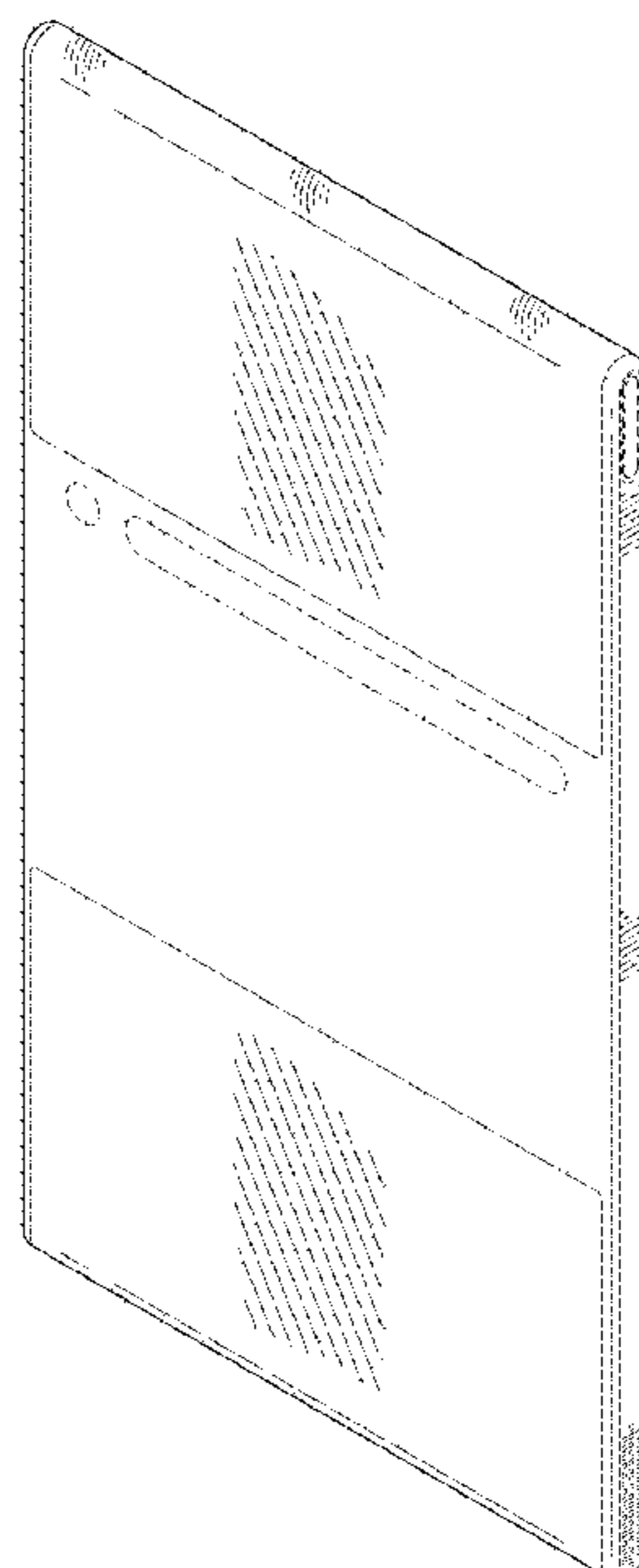
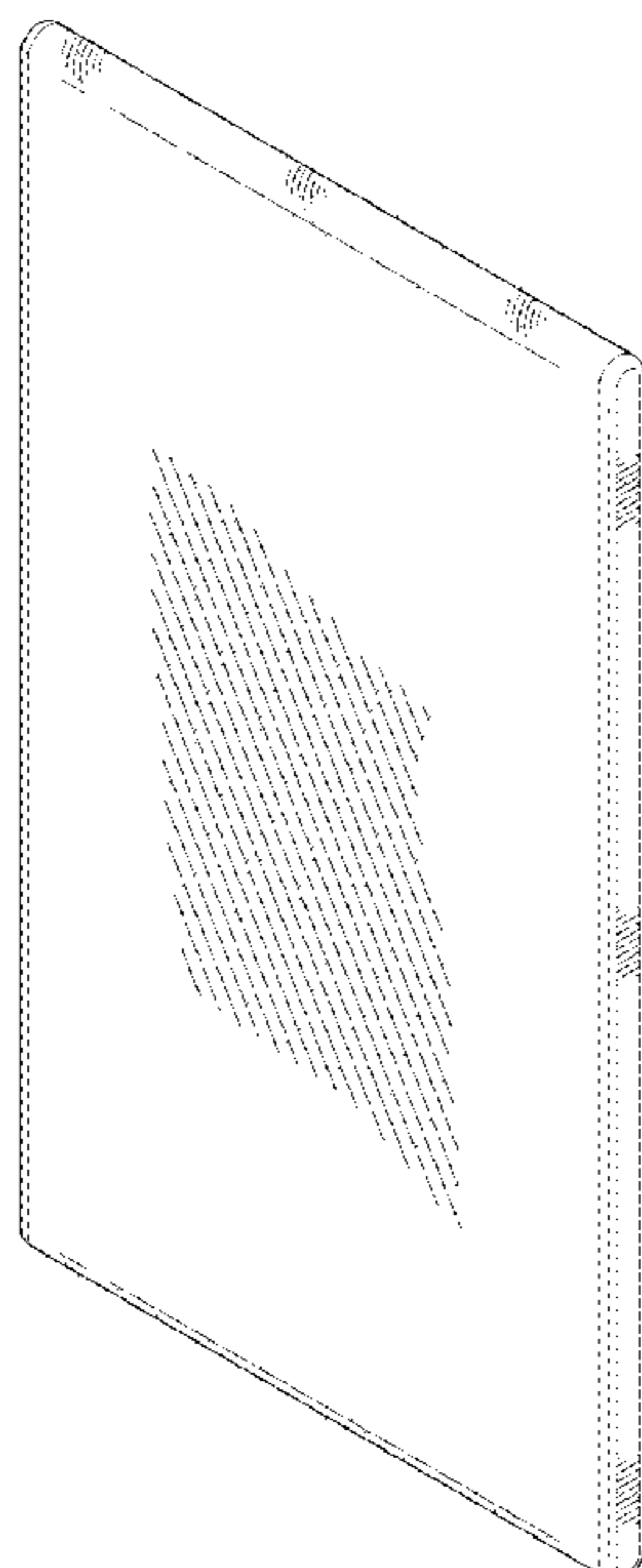
FIG. 10 is a front perspective view illustrating the content displayed in a second position by the electronic device;

FIG. 11 is a rear perspective view illustrating the content displayed in a third position by the electronic device; and,

FIG. 12 is a rear perspective view illustrating the content displayed in a fourth position by the electronic device.

The broken lines and the unshaded regions bounded by broken lines of the preceding FIGURES illustrate boundaries for the FIGURES; however, the broken lines and the unshaded regions bounded by broken lines form no part of the claimed design. Non-oblique line shading is meant to show contour and not surface ornamentation. The oblique line shading is not included in FIGS. 9-12 for ease of illustration, it being understood that the portions that do not show oblique line shading on FIGS. 9-12 are the same as that shown in FIGS. 1-8.

1 Claim, 10 Drawing Sheets



(58) **Field of Classification Search**

USPC D14/203.4, 203.7, 129, 130, 147, 218,
 D14/247, 248, 332, 388, 389, 315-318,
 D14/420, 426, 429, 489, 492, 496;
 D10/50, 65, 104.1; D18/6; D21/329,
 D21/330; D6/308, 310
 CPC G06F 1/1613; G06F 1/1647; G06F 1/1641;
 G06F 3/04883; G06F 3/0486; G06F
 3/04847; G06F 3/04845; G06F 3/04817;
 G06F 3/0484; H04M 1/0279; H04M
 1/0281; H04M 1/0283; A63H 33/3016
 See application file for complete search history.

(56) **References Cited**

U.S. PATENT DOCUMENTS

D597,090 S * 7/2009 Bemelmans D14/341
 D612,845 S * 3/2010 Morabito D14/341
 D634,318 S * 3/2011 Buckle D14/341
 D652,403 S * 1/2012 Fahlgren D14/138 G
 D656,497 S * 3/2012 Chiu D14/341
 D658,621 S * 5/2012 Lylyk D14/138 G
 D664,518 S * 7/2012 Ryu D14/138 G
 D671,113 S * 11/2012 Amemiya D14/341
 D692,421 S * 10/2013 McManigal D14/341
 D697,507 S * 1/2014 Yu D14/341
 D697,911 S * 1/2014 McManigal D14/341
 8,665,236 B2 * 3/2014 Myers G06F 1/1626
 345/173
 D702,681 S * 4/2014 Sugiyama D14/341
 D706,262 S * 6/2014 Serota D14/341
 D708,608 S * 7/2014 Sugiyama D14/341
 D714,287 S * 9/2014 Takahashi D14/341
 8,837,126 B2 * 9/2014 Cho G06F 1/1601
 361/679.01
 D716,253 S * 10/2014 Lee D14/138 AB
 D716,304 S * 10/2014 Orthey D14/385
 D718,266 S * 11/2014 Zhang D14/138 G
 D718,268 S * 11/2014 Wu D14/138 G
 D720,755 S * 1/2015 Nokuo D14/433
 D721,670 S * 1/2015 Lee D14/138 G
 D721,671 S * 1/2015 Nam D14/138 AD
 D722,035 S * 2/2015 Nam D14/138 AD
 D722,036 S * 2/2015 Nam D14/138 G
 D726,674 S * 4/2015 Lee D14/138 G
 D732,499 S * 6/2015 Lee D14/138 G

D733,085 S * 6/2015 Kim D14/138 G
 D736,765 S * 8/2015 Li D14/138 AA
 D736,766 S * 8/2015 Paschke D14/138 AA
 D736,768 S * 8/2015 Kuwabara D14/344
 D737,238 S * 8/2015 Lee D14/138 G
 D740,806 S * 10/2015 Fujimoto D14/341
 D741,308 S * 10/2015 Lee D14/248
 D744,990 S * 12/2015 Lee D14/138 G
 D745,004 S * 12/2015 Kim D14/341
 D745,484 S * 12/2015 Lee D14/138 G
 D746,810 S * 1/2016 Fujimoto D14/341
 D747,285 S * 1/2016 Kim D14/138 G
 D747,301 S * 1/2016 Lee D14/138 G
 D748,625 S * 2/2016 Takahashi D14/345
 D749,534 S * 2/2016 Liu D14/138 G
 D749,566 S * 2/2016 Nakamura D14/341
 D750,617 S * 3/2016 Akana D14/341
 D754,656 S * 4/2016 Cheng D14/341
 D760,218 S * 6/2016 Yamazaki D14/341
 9,430,180 B2 * 8/2016 Hirakata G06F 3/1446
 D768,105 S * 10/2016 Kim D14/138 G
 D768,594 S * 10/2016 Szeto D14/138 G
 9,483,081 B2 * 11/2016 Lee G06F 1/1616
 2008/0204367 A1 * 8/2008 Lafarre G06F 1/1615
 345/55
 2010/0117975 A1 * 5/2010 Cho G06F 1/1626
 345/173
 2010/0259872 A1 * 10/2010 Yang G06F 1/1616
 361/679.01
 2011/0148797 A1 * 6/2011 Huitema G06F 1/1615
 345/173
 2013/0033434 A1 * 2/2013 Richardson G06F 3/0488
 345/173
 2013/0222293 A1 * 8/2013 Chung G06F 3/041
 345/173
 2013/0300697 A1 * 11/2013 Kim G06F 1/1626
 345/173
 2013/0329345 A1 * 12/2013 Yu H05K 5/04
 361/679.01
 2014/0198036 A1 * 7/2014 Kim G06F 1/1652
 345/156
 2014/0218321 A1 * 8/2014 Lee G06F 1/1652
 345/173
 2015/0338888 A1 * 11/2015 Kim G06F 1/1677
 345/156
 2015/0378592 A1 * 12/2015 Kim G06F 1/1628
 715/765

* cited by examiner

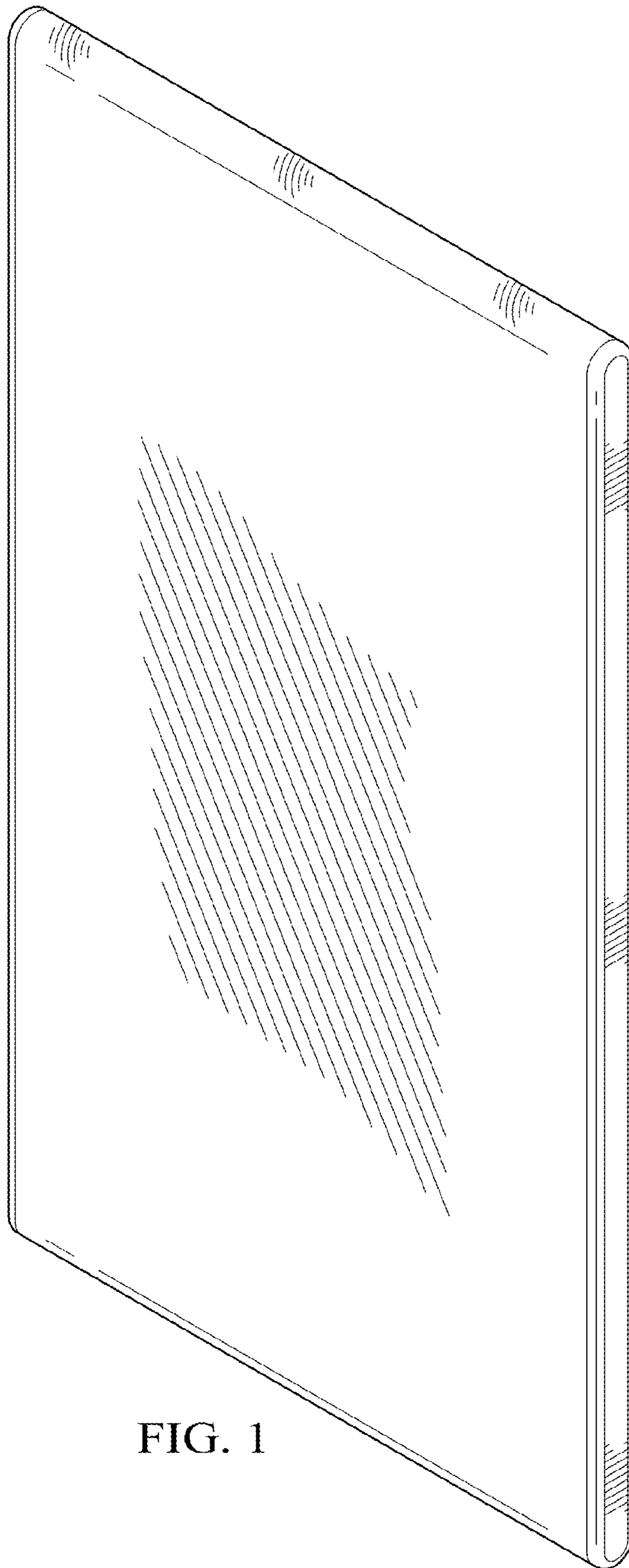


FIG. 1

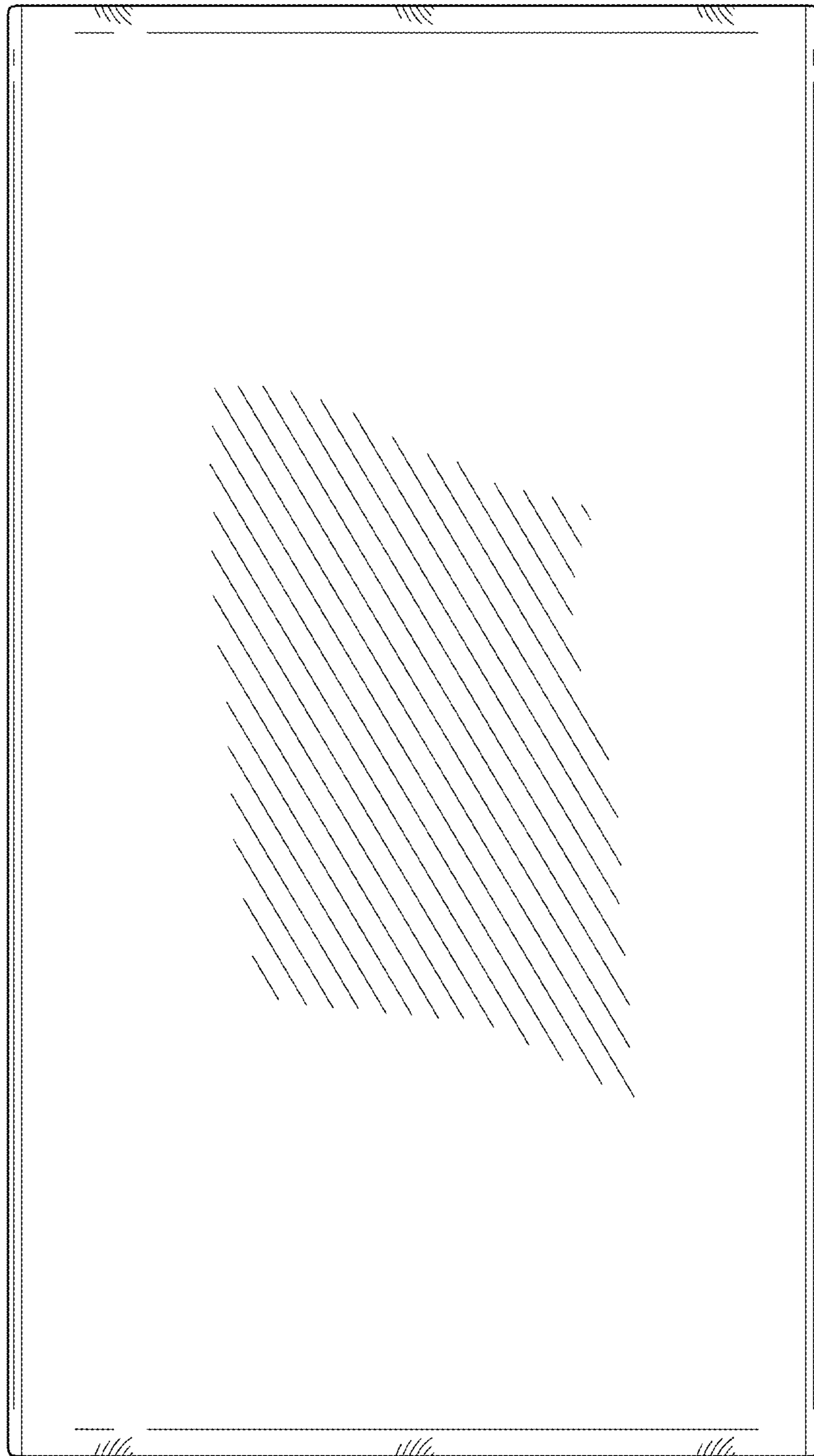


FIG. 2

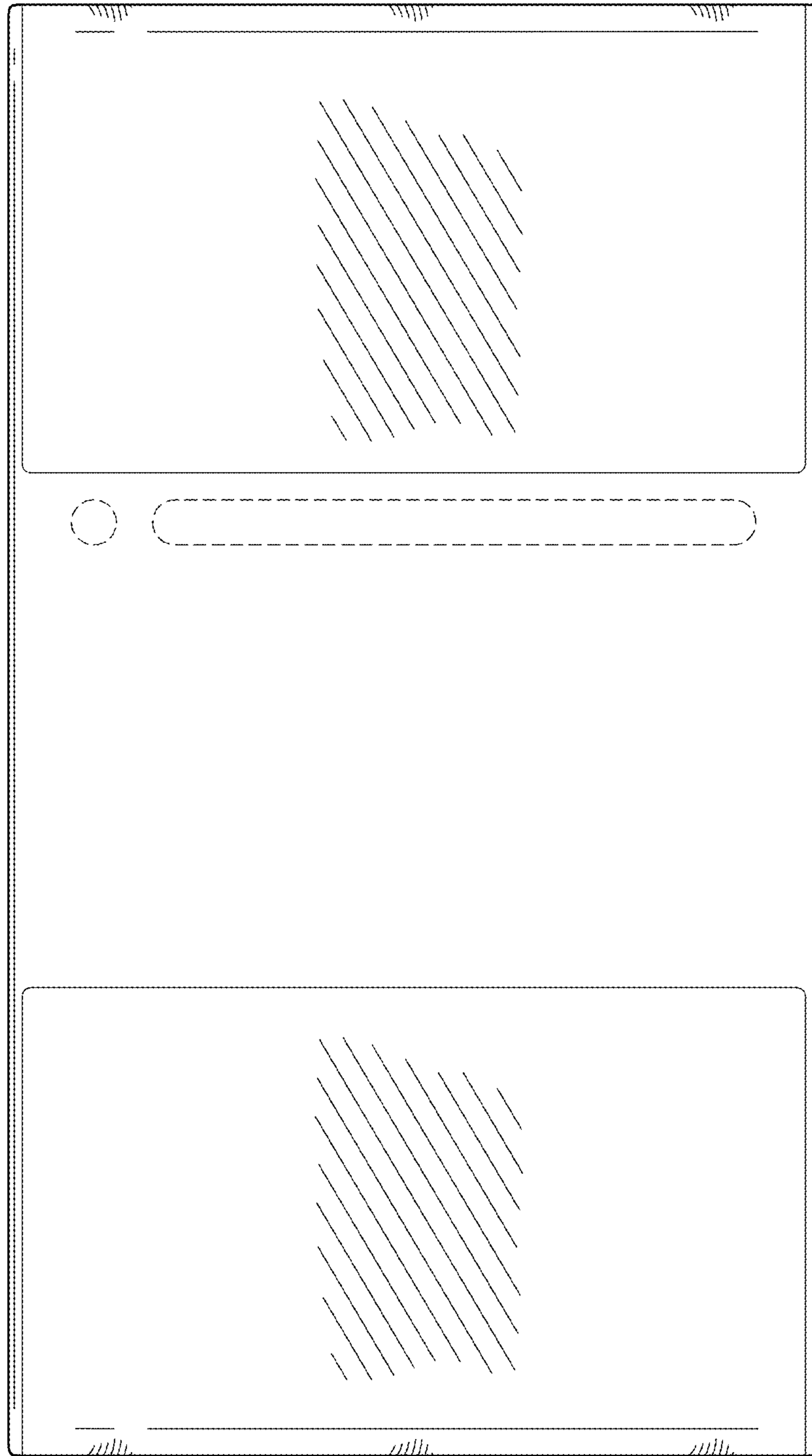


FIG. 3

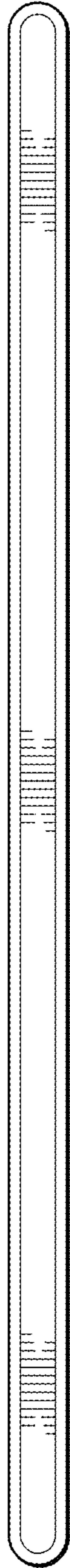


FIG. 4

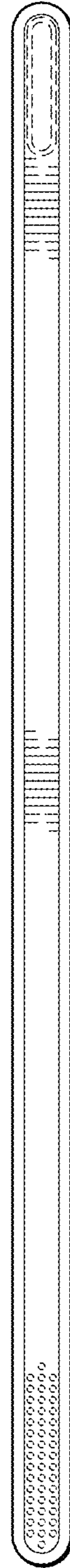


FIG. 5



FIG. 6



FIG. 7

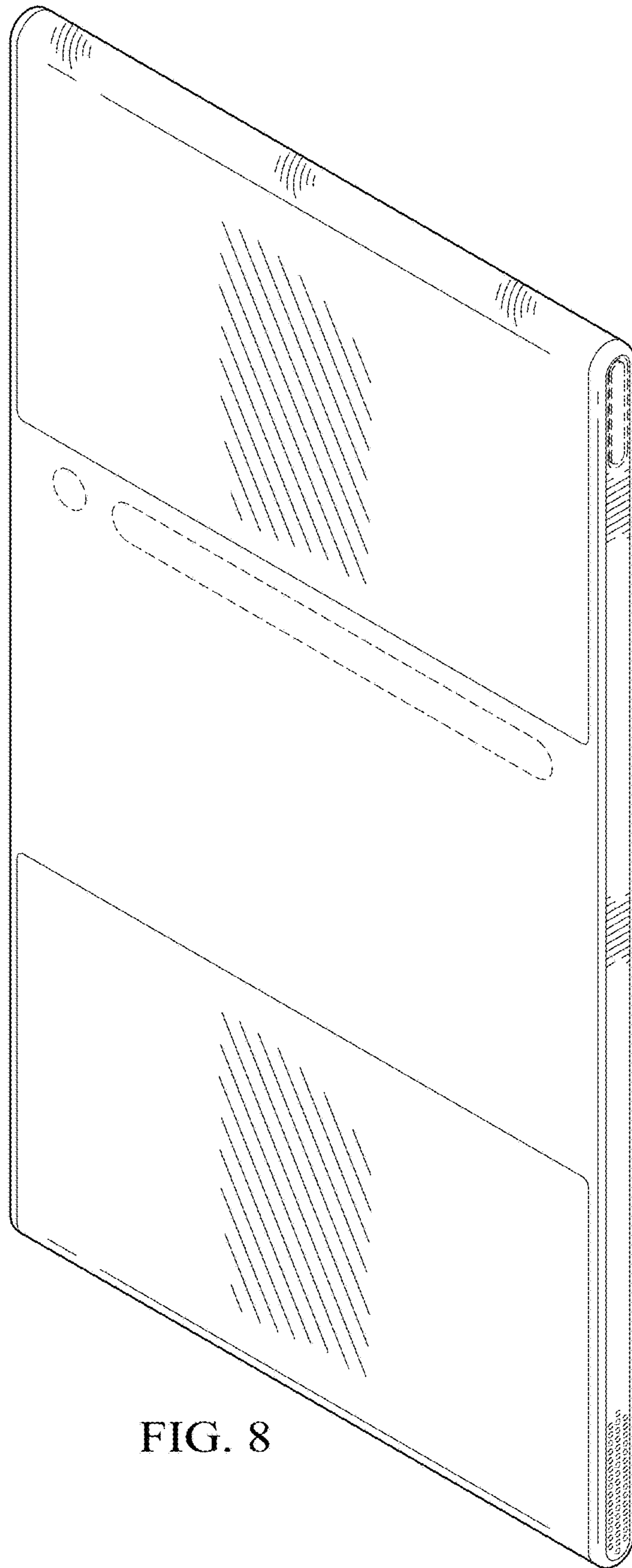


FIG. 8

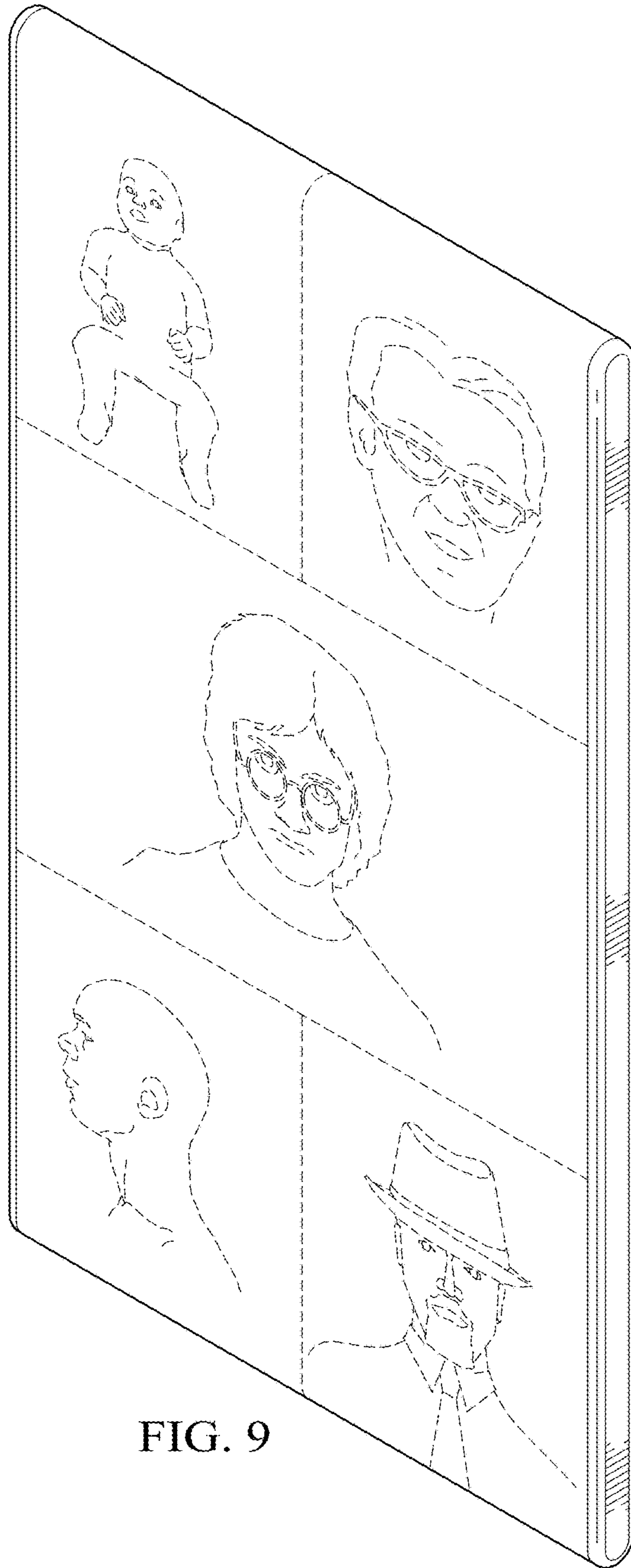


FIG. 9

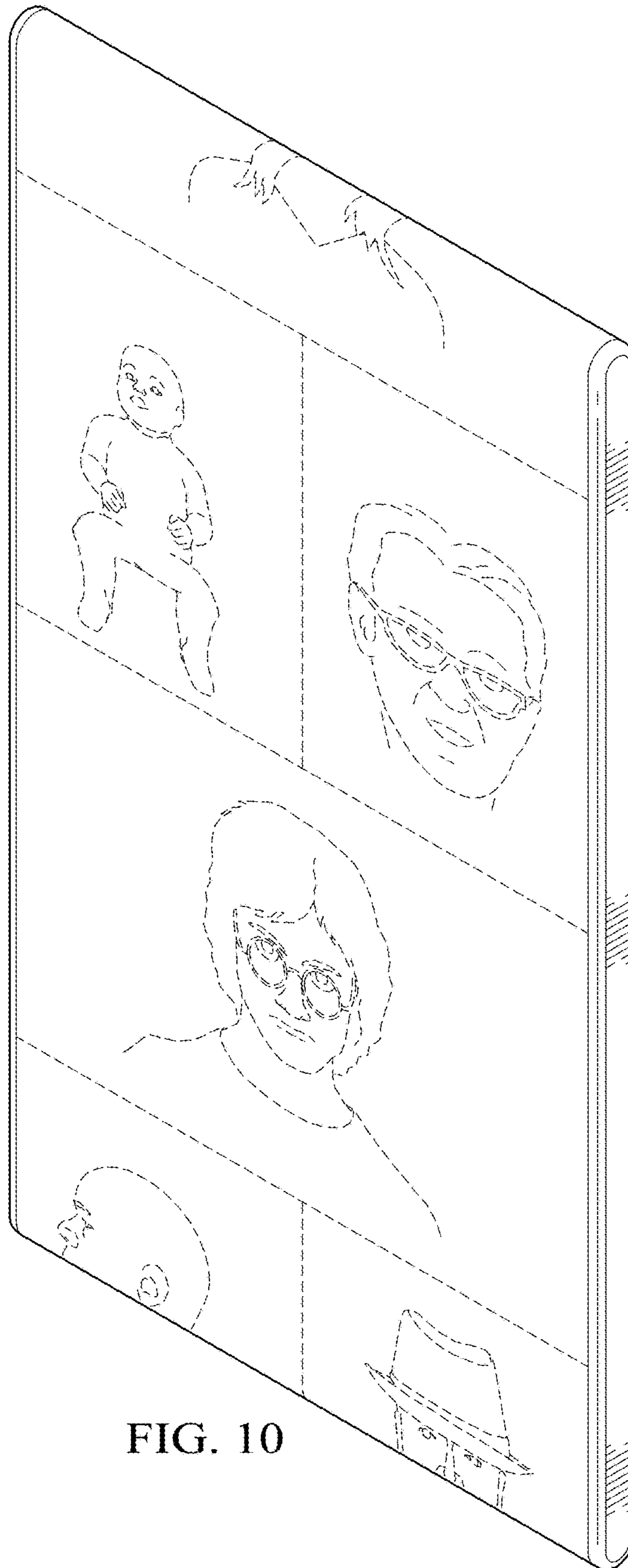


FIG. 10

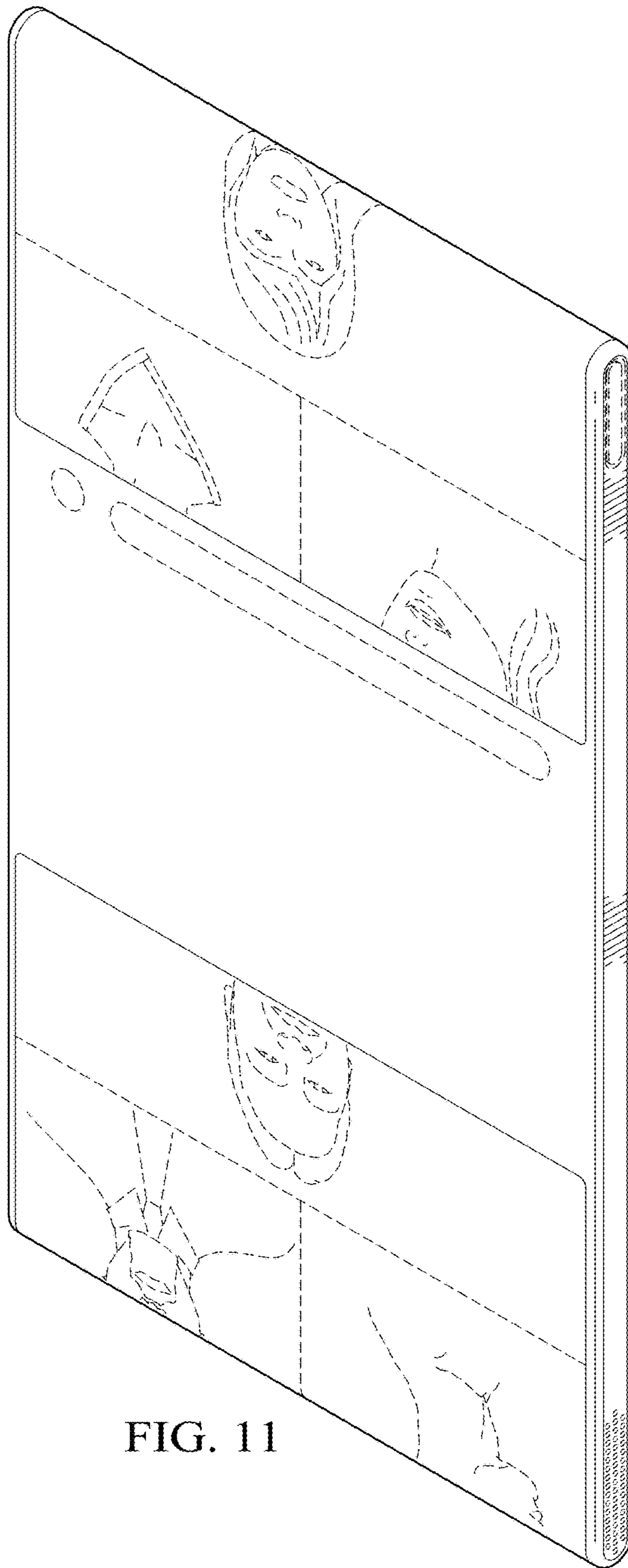


FIG. 11

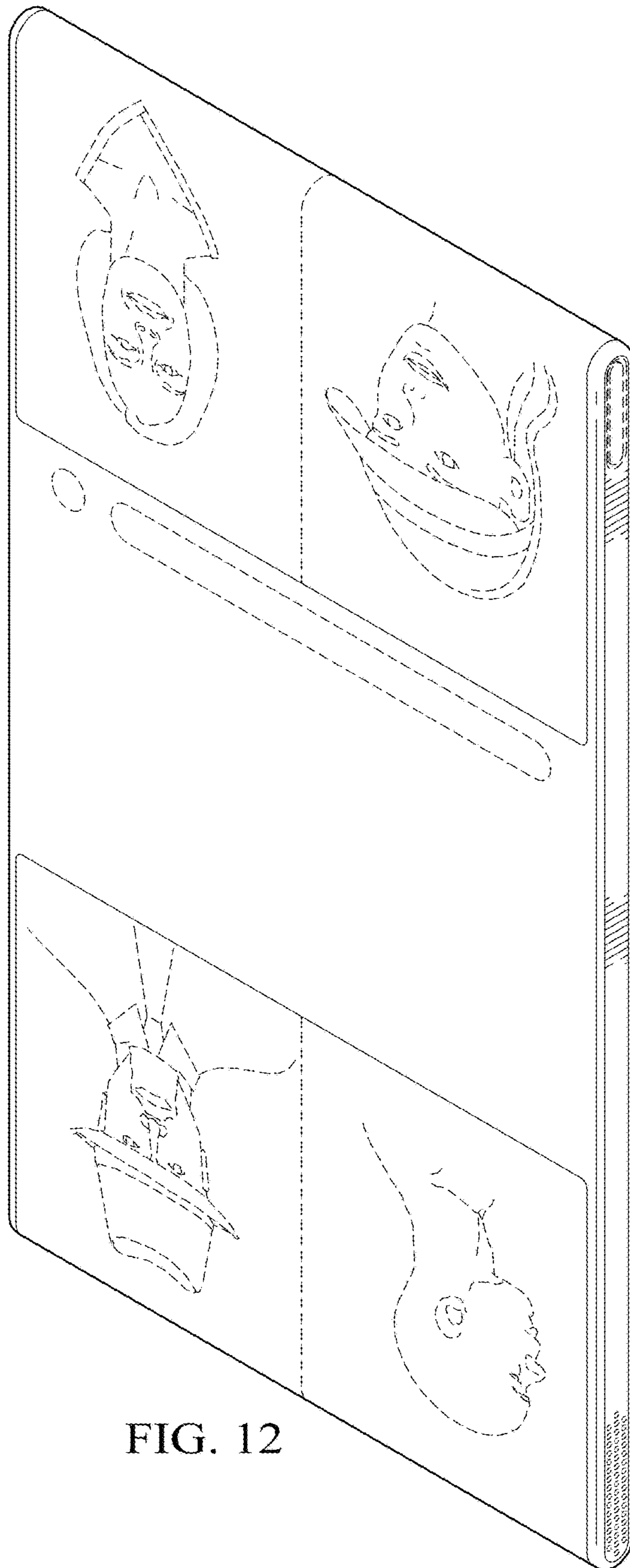


FIG. 12