



US00D783597S

(12) **United States Design Patent** (10) **Patent No.:** **US D783,597 S**  
**Senatori et al.** (45) **Date of Patent:** **\*\* Apr. 11, 2017**

(54) **COMPUTER**

(71) Applicant: **Hewlett-Packard Development Company, L.P.**, Houston, TX (US)  
(72) Inventors: **Mark Senatori**, Houston, TX (US); **Insun Hong**, Houston, TX (US); **Kevin L. Massaro**, Houston, TX (US)

(73) Assignee: **Hewlett-Packard Development Company, L.P.**, Houston, TX (US)

(\*\*) Term: **15 Years**

(21) Appl. No.: **29/545,553**

(22) Filed: **Nov. 13, 2015**

(51) **LOC (10) Cl.** ..... **14-02**

(52) **U.S. Cl.**  
USPC ..... **D14/315**

(58) **Field of Classification Search**  
USPC ..... D14/315-327; D18/1, 2, 7, 11; 235/145 A, 145 R; 341/22, 23; 345/104, 345/156, 168, 169, 173; 361/679.08, 361/679.09, 679.11, 679.26, 679.27; D13/107, 108  
CPC ..... G06F 1/16; G06F 1/1616; G06F 1/1626; G06F 1/1632; H01R 35/02; H01R 31/065; H03M 11/00; G09B 13/04; H03K 17/94; H02J 7/0042; H02J 7/00; H01M 10/44; F16M 11/10

See application file for complete search history.

(56) **References Cited**

U.S. PATENT DOCUMENTS

D631,040 S *	1/2011	Yoon .....	D14/327
D631,879 S *	2/2011	Kawase .....	D14/327
D686,203 S *	7/2013	Lee .....	D14/315
2011/0255727 A1 *	10/2011	Azuchi .....	G06F 1/1616 381/333

\* cited by examiner

*Primary Examiner* — Freda S Nunn

(74) *Attorney, Agent, or Firm* — Foley & Lardner

(57) **CLAIM**

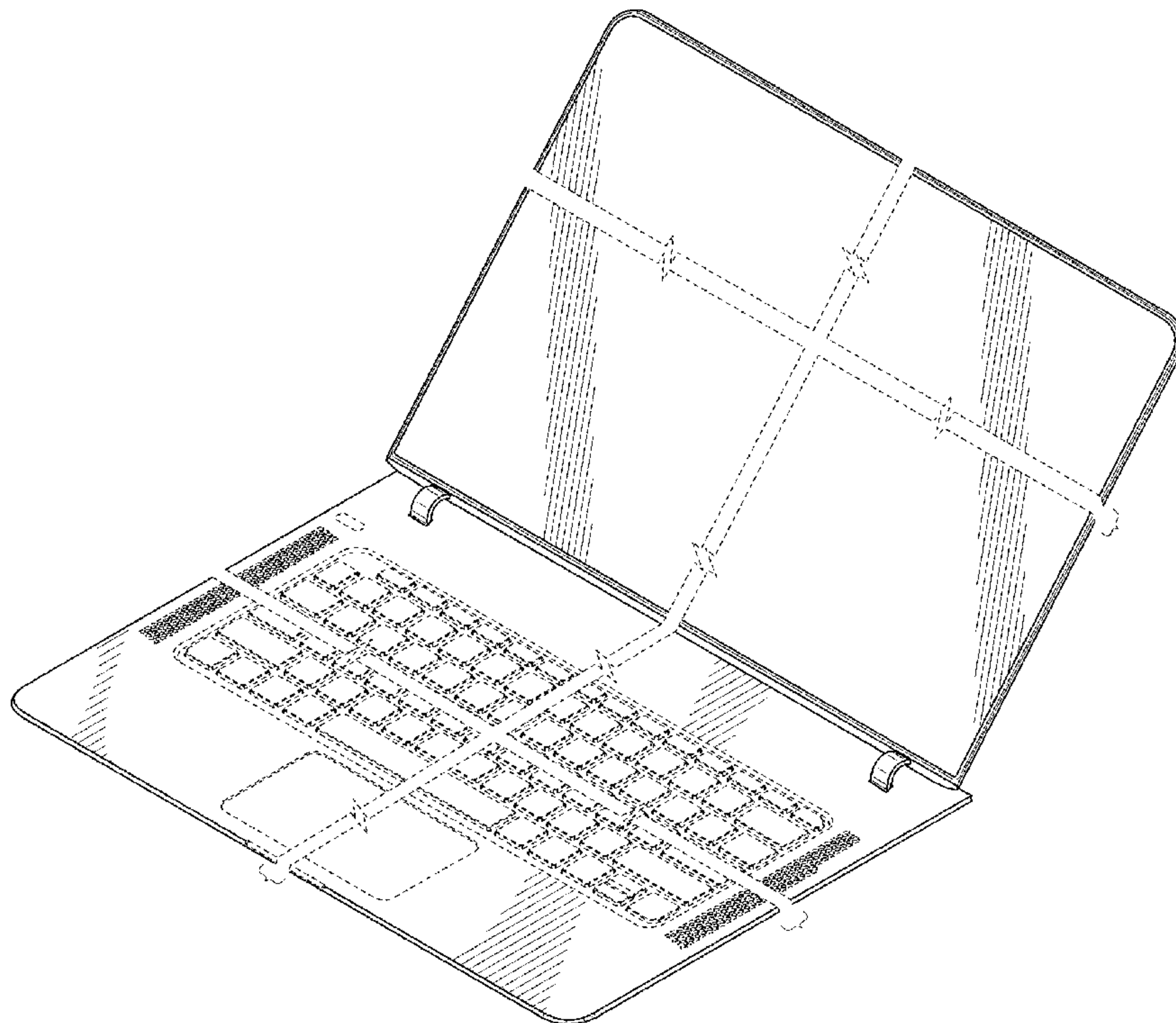
We claim the ornamental design for a computer, as shown and described.

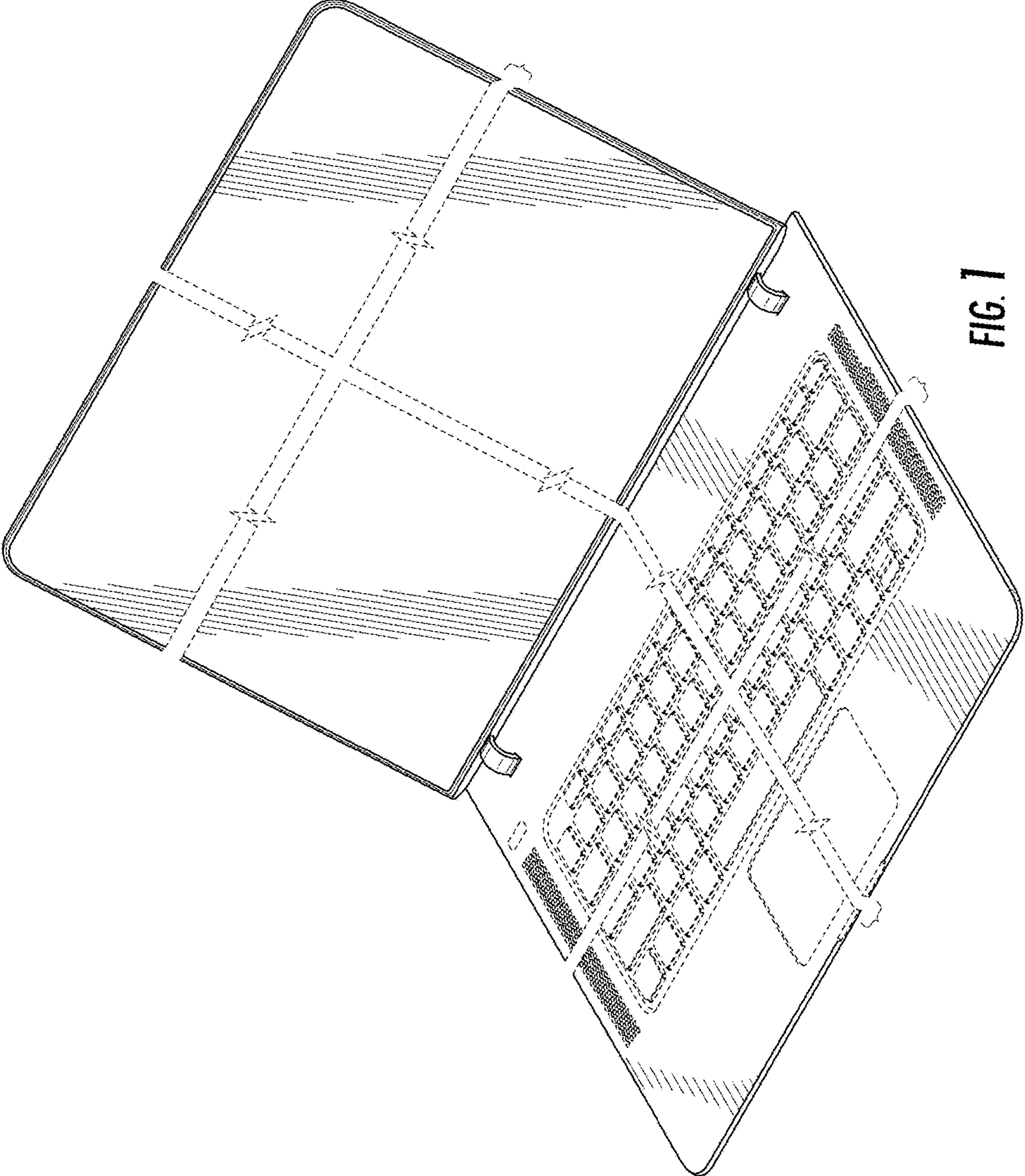
**DESCRIPTION**

FIG. 1 is a top, front, right side perspective view of the computer according to our new design; FIG. 2 is a front elevation view thereof; FIG. 3 is a rear elevation view thereof; FIG. 4 is a top plan view thereof; FIG. 5 is a bottom plan view thereof; FIG. 6 is a left side elevation view thereof; and, FIG. 7 is a right side elevation view thereof.

The ornamental design which is claimed is shown in solid lines in the drawings. The broken lines formed by dashes show unclaimed subject matter and form no part of the claimed design. The use of broken lines in conjunction with a bracket is used to designate that no specific length is being claimed.

**1 Claim, 7 Drawing Sheets**





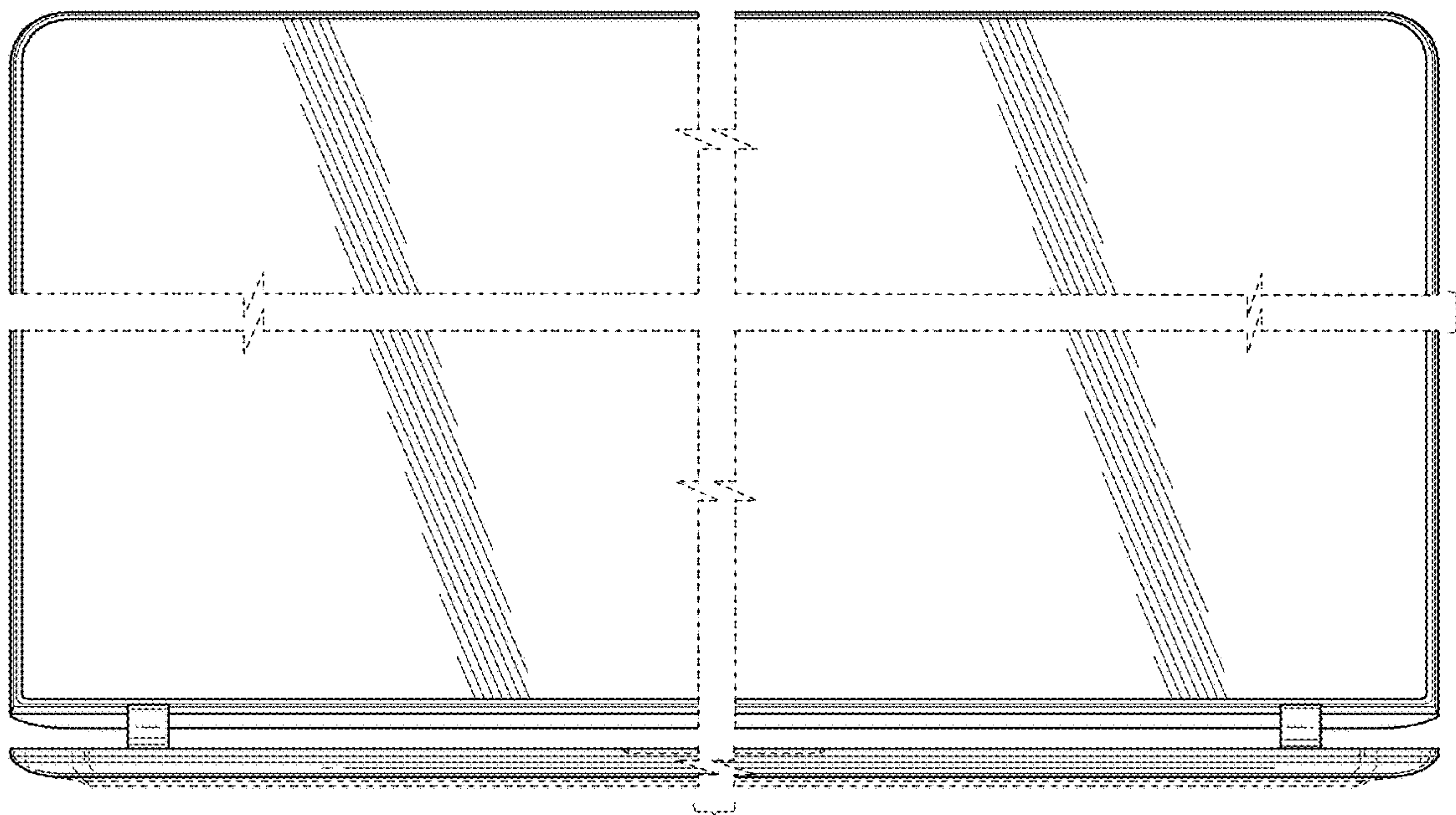


FIG. 2



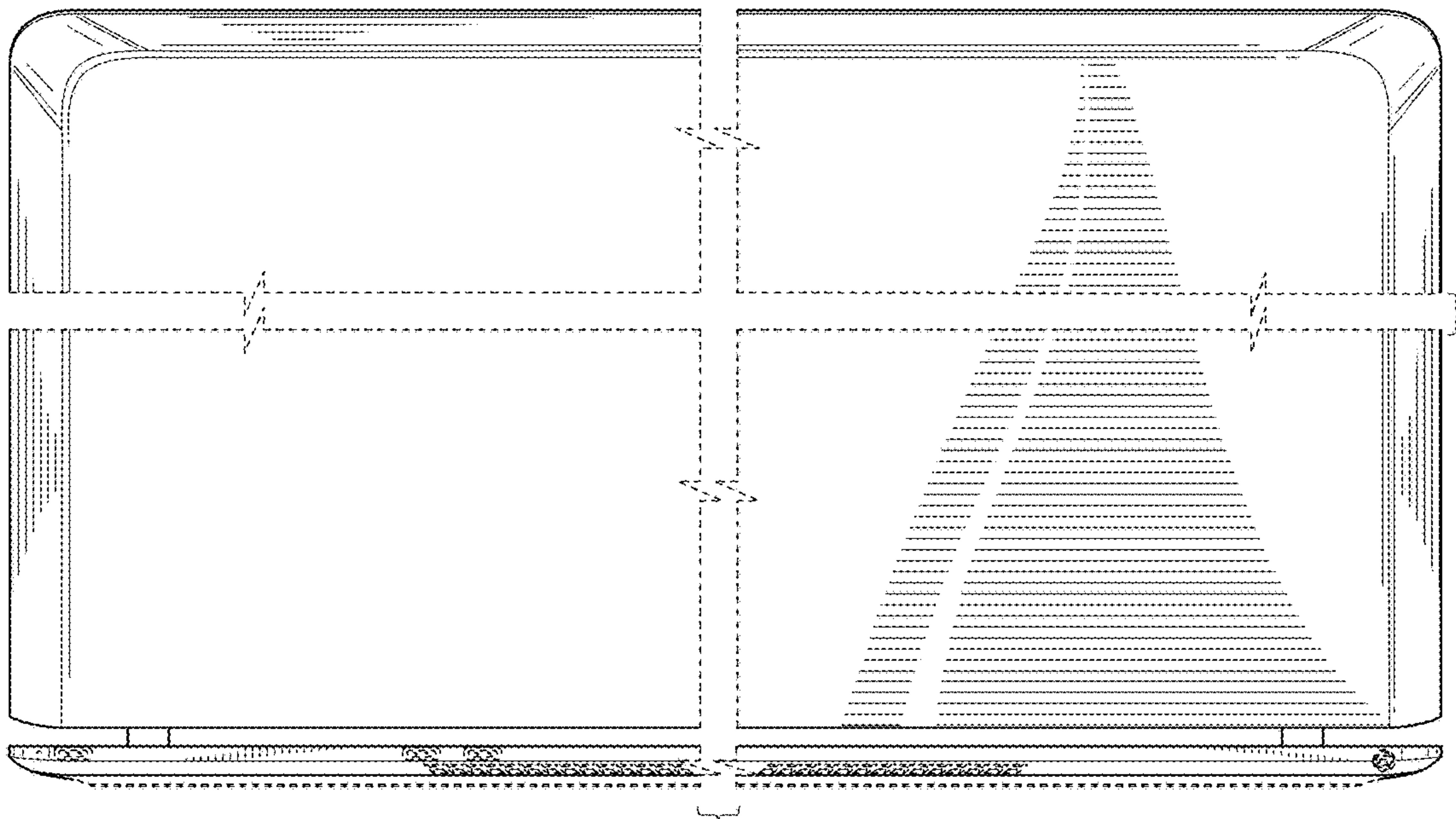


FIG. 3

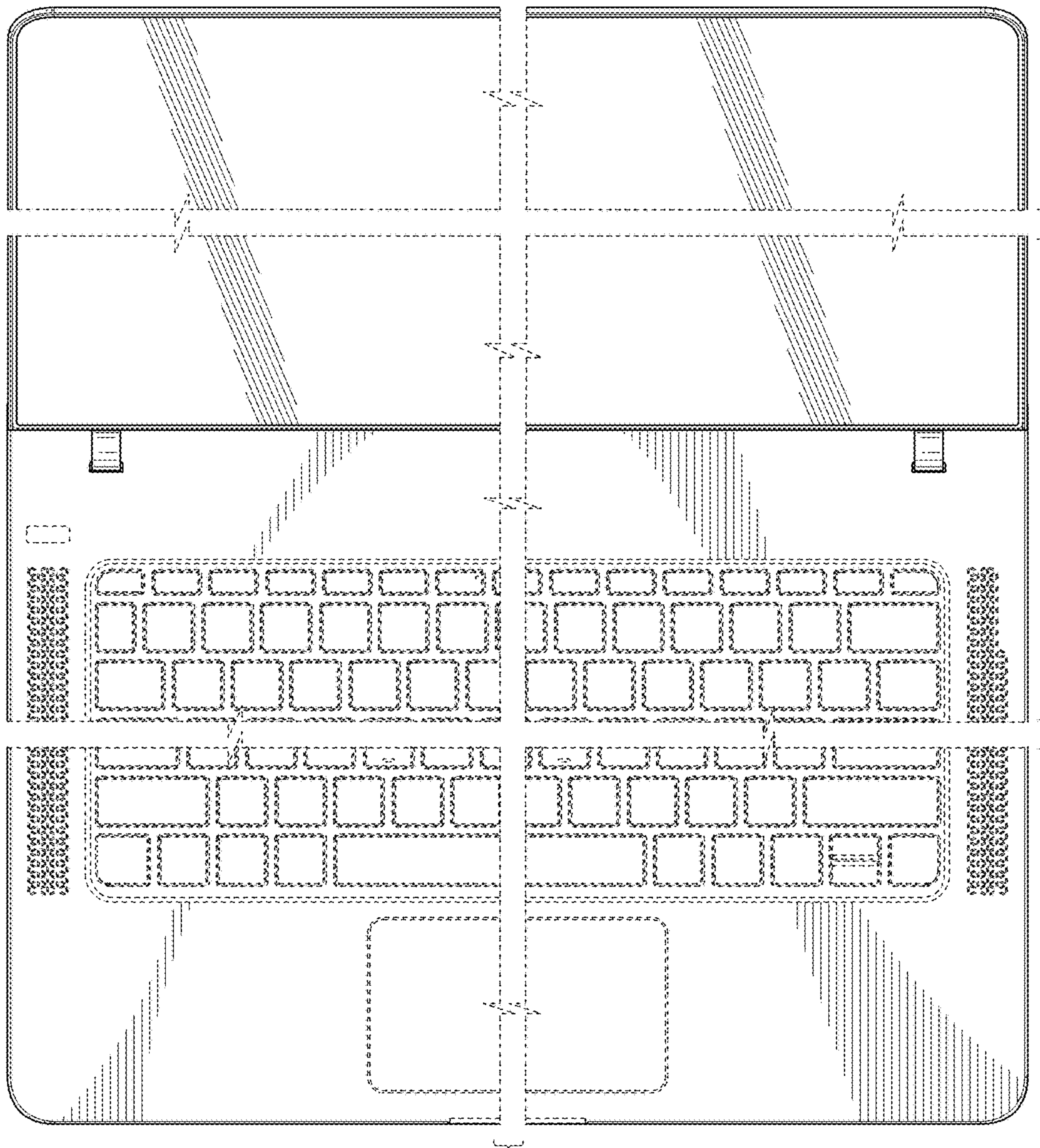


FIG. 4

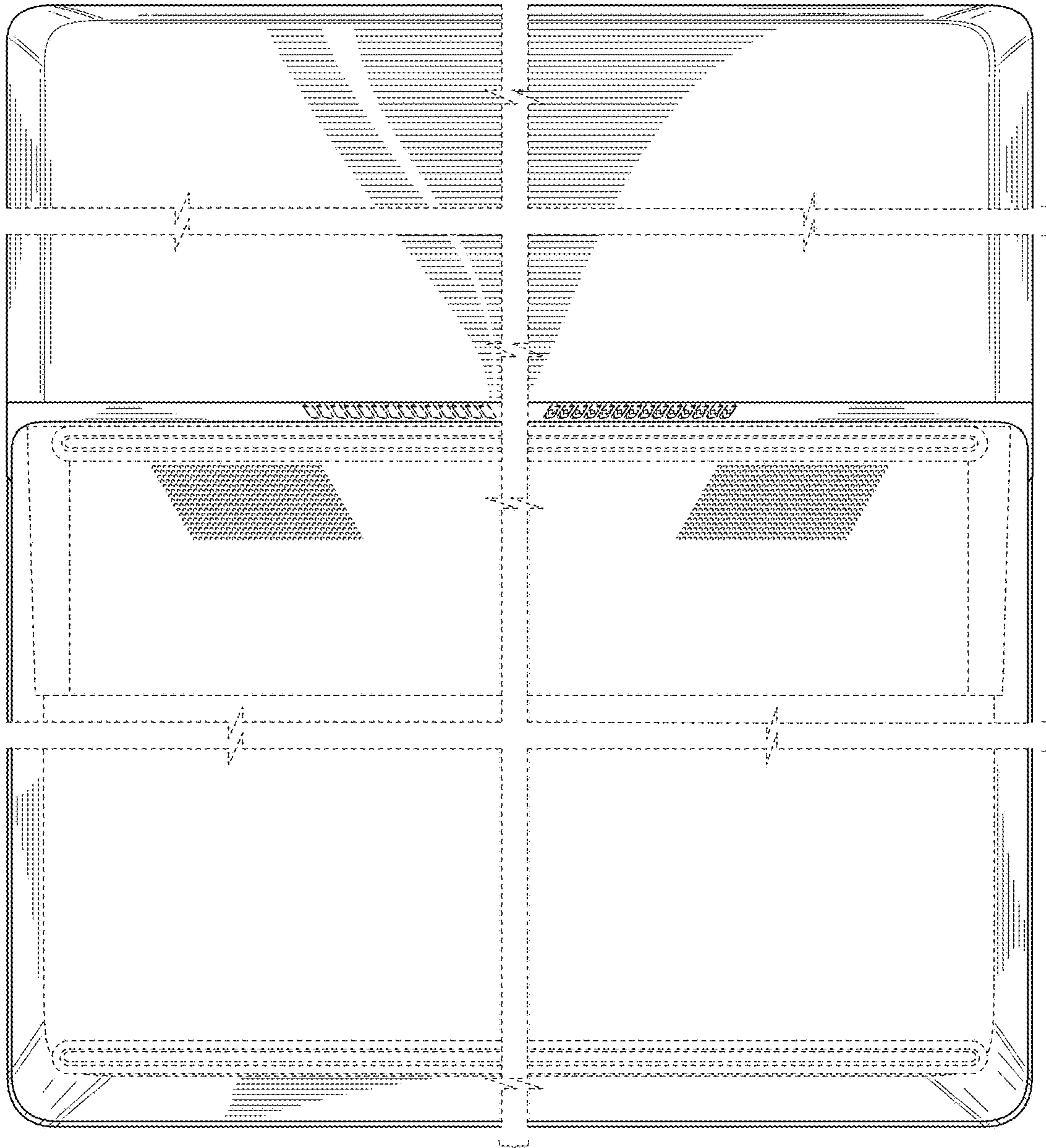


FIG. 5

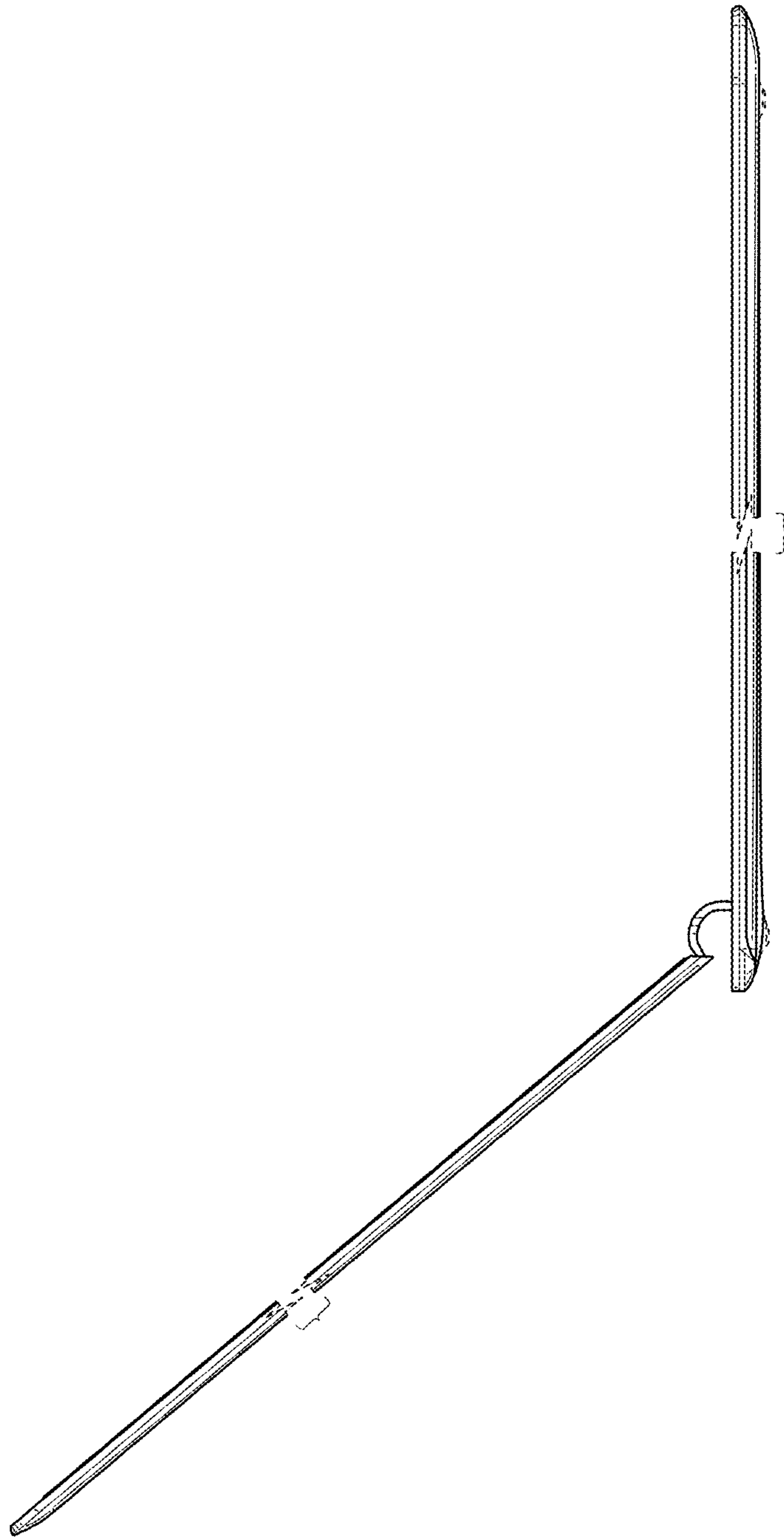


FIG. 6

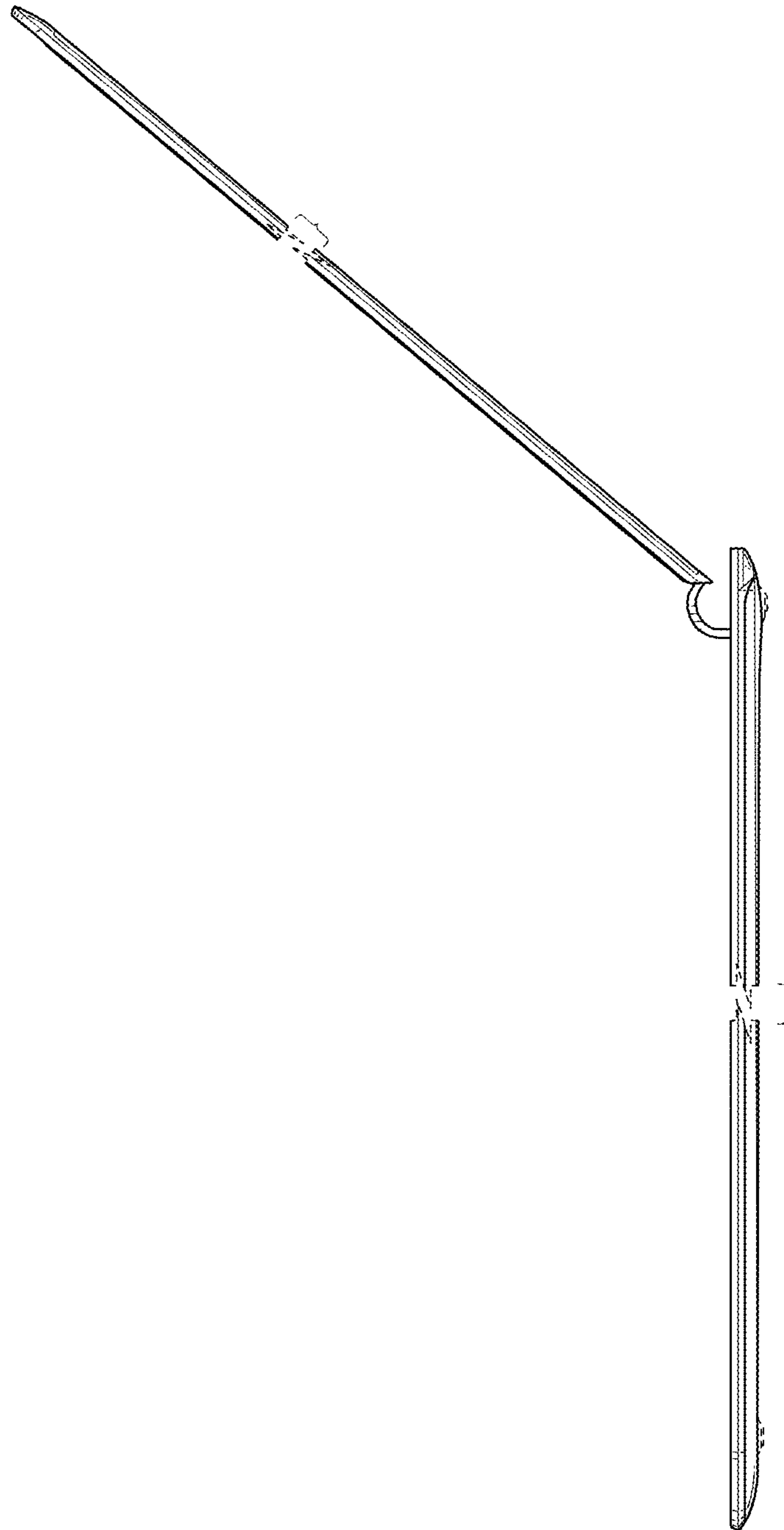


FIG. 7