



US00D783596S

(12) **United States Design Patent** (10) **Patent No.:** **US D783,596 S**
Payne et al. (45) **Date of Patent:** **** *Apr. 11, 2017**

(54) **COMPUTER KIOSK**

(56) **References Cited**

- (71) Applicant: **MONSTER MEDIA, LLC**, Orlando, FL (US)
- (72) Inventors: **John Payne**, Orlando, FL (US);
Christopher Beauchamp, Orlando, FL (US)
- (73) Assignee: **MONSTER PATENTS, LLC**, Orlando, FL (US)
- (*) Notice: This patent is subject to a terminal disclaimer.
- (**) Term: **14 Years**
- (21) Appl. No.: **29/434,799**
- (22) Filed: **Oct. 17, 2012**

U.S. PATENT DOCUMENTS

D335,746 S *	5/1993	North	D99/28
D395,677 S *	6/1998	Gongora et al.	D20/10
D411,582 S *	6/1999	Muraki et al.	D21/325
D542,849 S *	5/2007	Hill et al.	D20/10
D585,943 S *	2/2009	Pymm et al.	D20/10
D637,594 S *	5/2011	Carpenter et al.	D14/307
D639,086 S *	6/2011	Curbbun et al.	D6/396
D639,800 S *	6/2011	Magruder	D14/307
D652,454 S *	1/2012	Yepez	D21/324
D705,108 S *	5/2014	Lee et al.	D10/108
D706,741 S *	6/2014	Myers	D14/172
D709,952 S *	7/2014	Logan et al.	D20/10

* cited by examiner

Primary Examiner — George D Kirschbaum
Assistant Examiner — Kendra L Hamilton
(74) *Attorney, Agent, or Firm* — Allen, Dyer, Doppelt, Milbrath & Gilchrist, PA

Related U.S. Application Data

- (63) Continuation-in-part of application No. 13/603,583, filed on Sep. 5, 2012, which is a continuation-in-part of application No. 13/411,420, filed on Mar. 2, 2012, now abandoned.
- (51) **LOC (10) Cl.** **14-02**
- (52) **U.S. Cl.**
USPC **D14/307**
- (58) **Field of Classification Search**
USPC D14/302, 303, 304, 305, 306, 307, 900, D14/901, 902; D13/163, 162; D10/108; D20/10; 187/395, 396; D21/332, 325; 361/679.02, 679.21
CPC G06Q 20/18
See application file for complete search history.

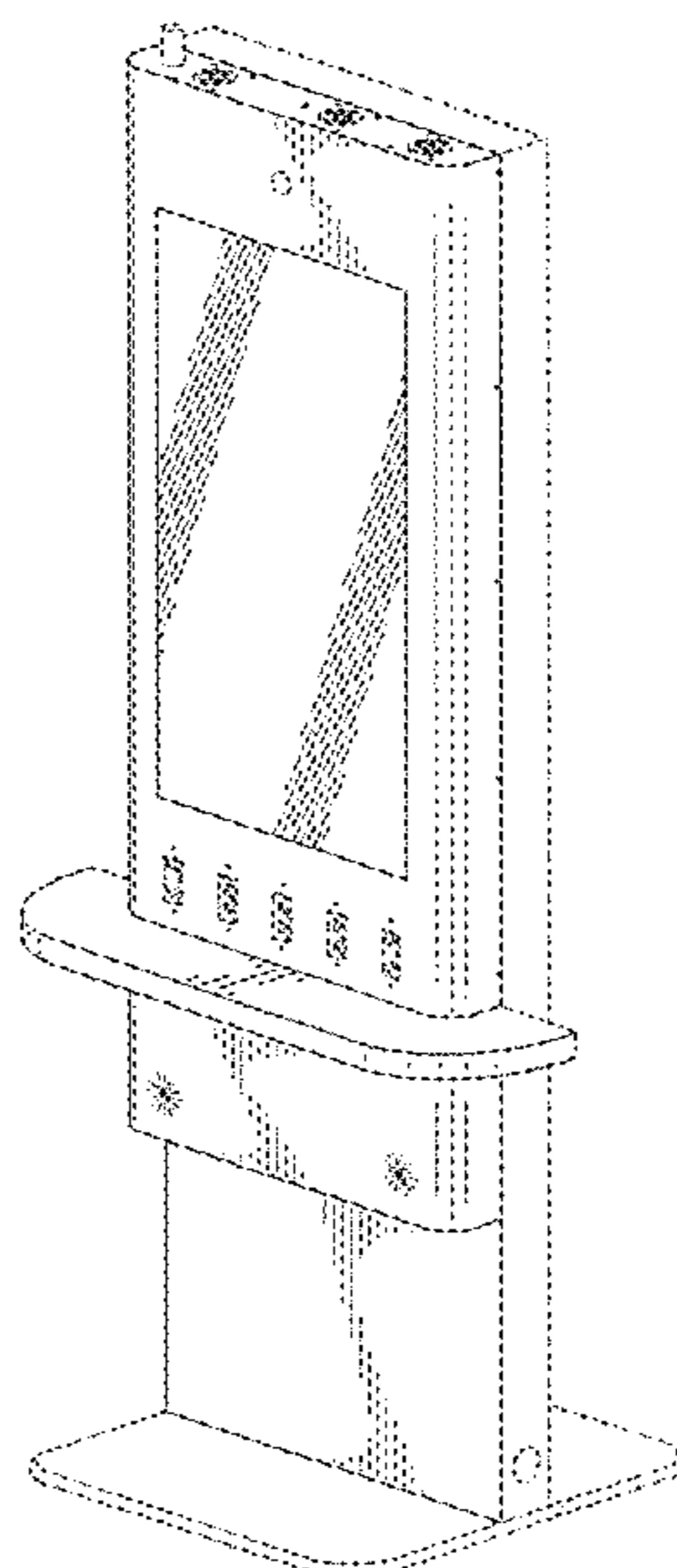
(57) **CLAIM**

The ornamental design for a computer kiosk, as shown and described.

DESCRIPTION

FIG. 1 is a top, left, front perspective view of a computer kiosk;
FIG. 2 is a bottom, left, front perspective view of the computer kiosk of FIG. 1;
FIG. 3 is a front view of the computer kiosk of FIG. 1;
FIG. 4 is a rear view of the computer kiosk of FIG. 1;
FIG. 5 is a left side view of the computer kiosk of FIG. 1;
FIG. 6 is a right side view of the computer kiosk of FIG. 1;
FIG. 7 is a top view of the computer kiosk of FIG. 1; and,
FIG. 8 is a bottom view of the computer kiosk of FIG. 1.
The broken lines showing unclaimed openings and the back and bottom of the kiosk illustrate environmental structure which forms no part of the claimed design.

1 Claim, 7 Drawing Sheets



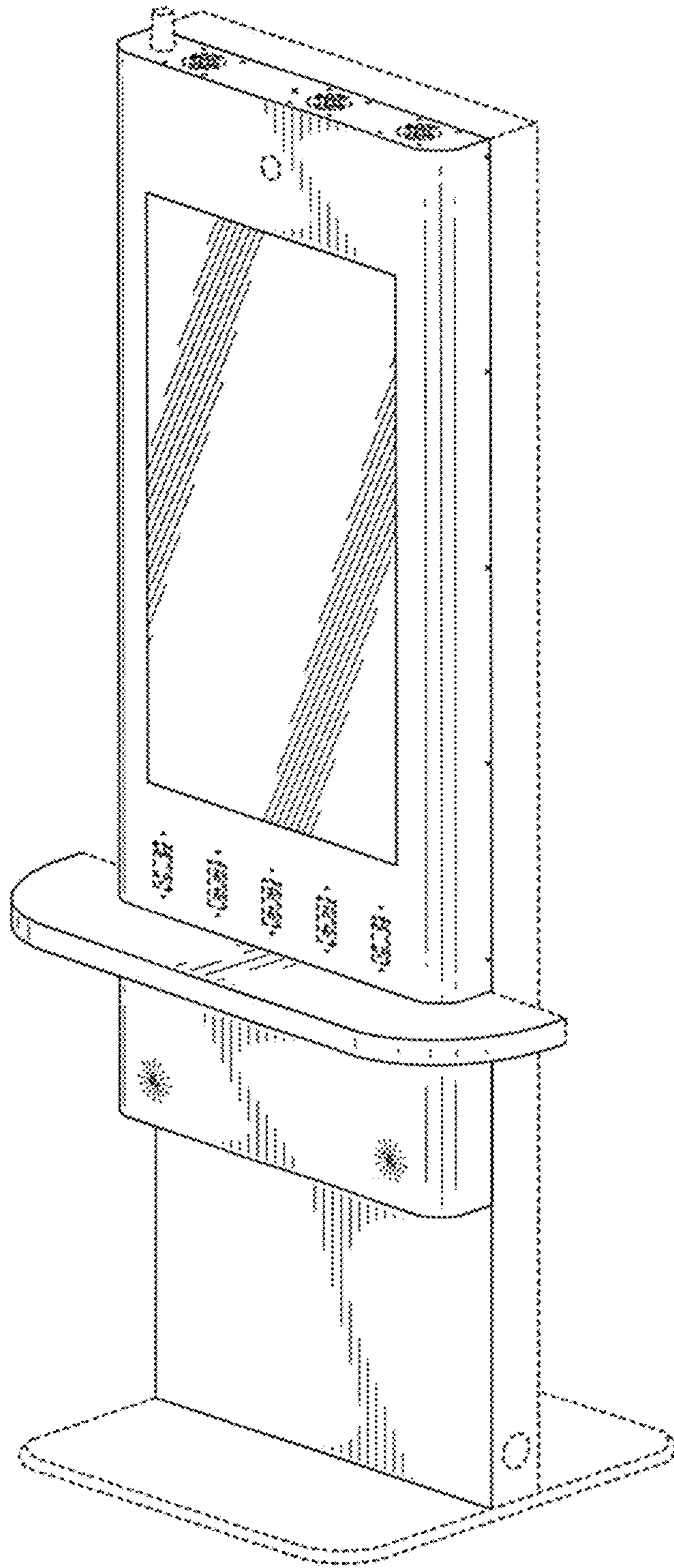


FIG. 1

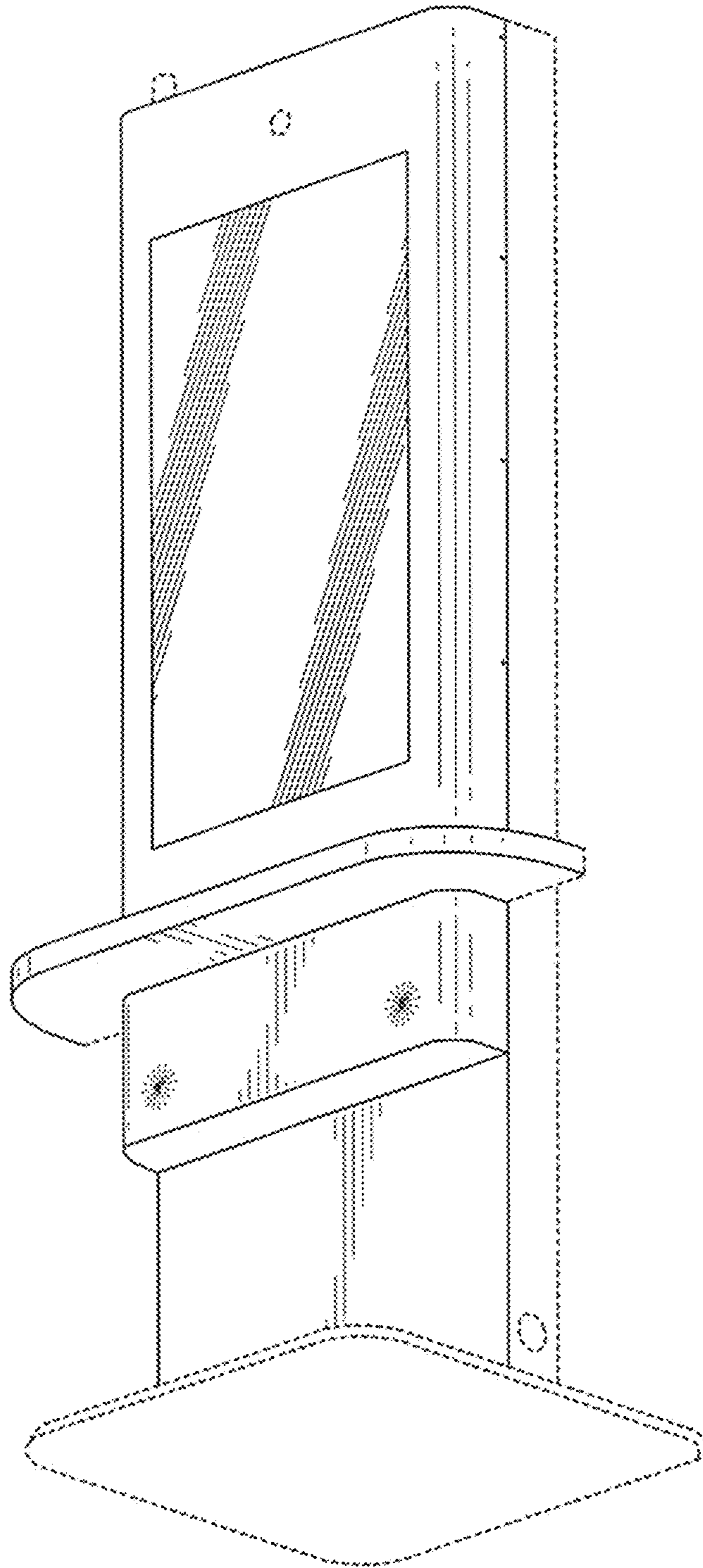


FIG. 2

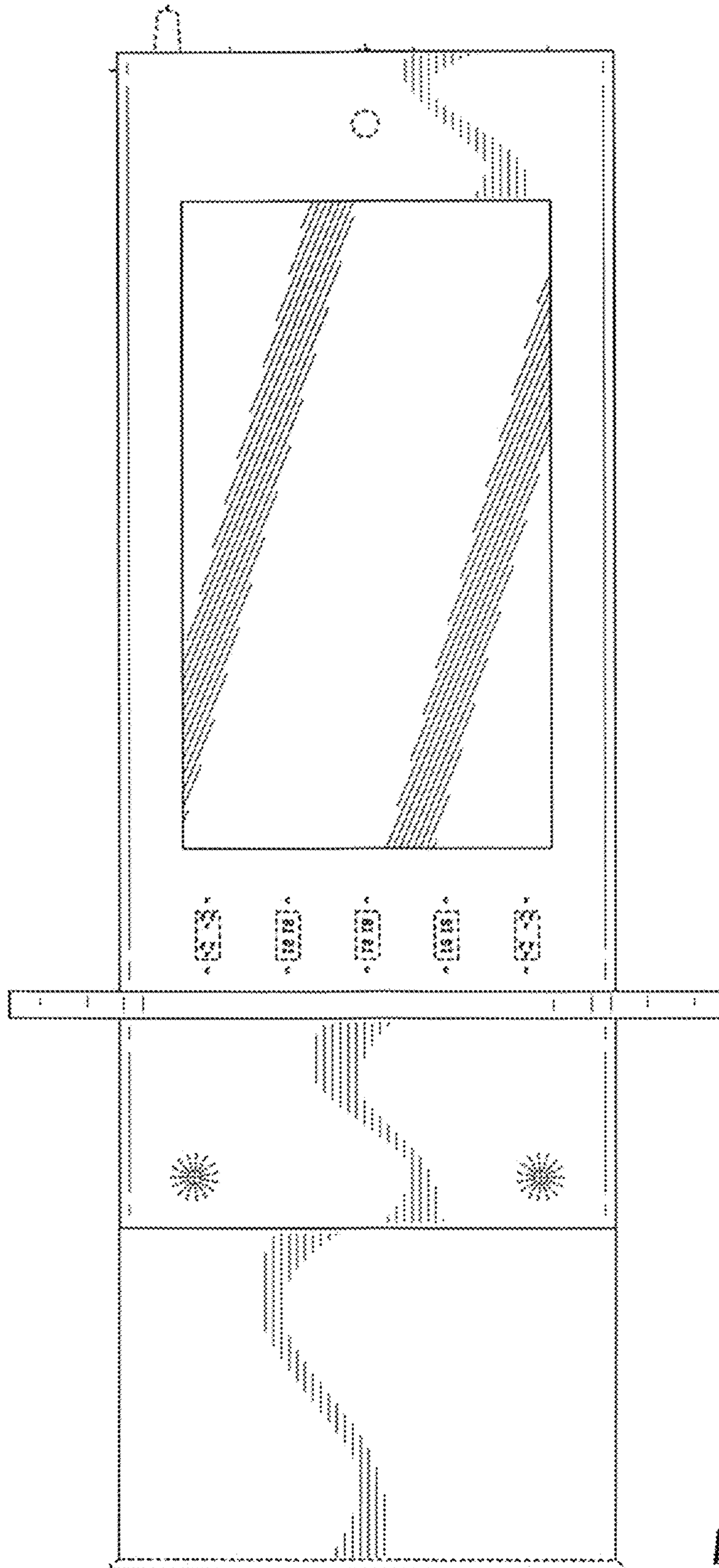


FIG. 3

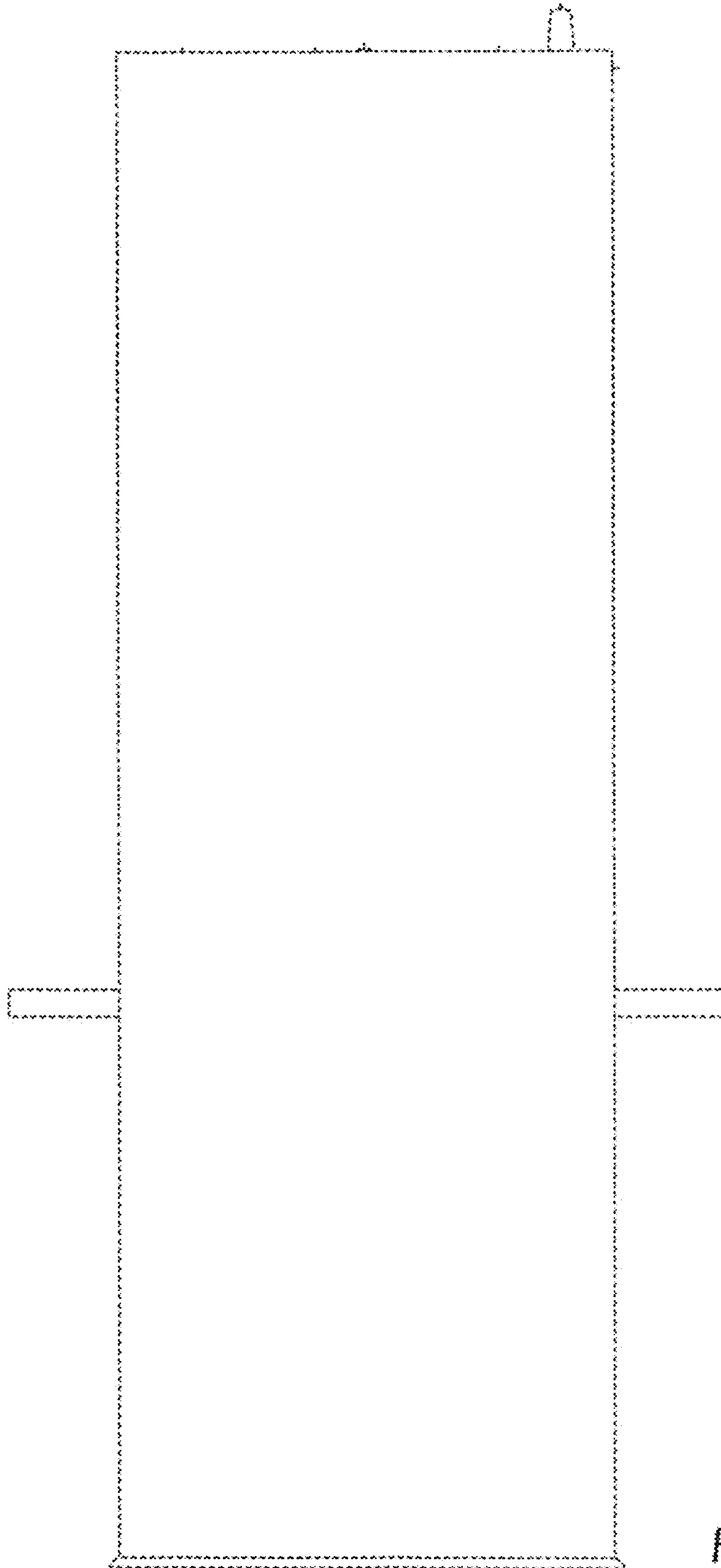


FIG. 4

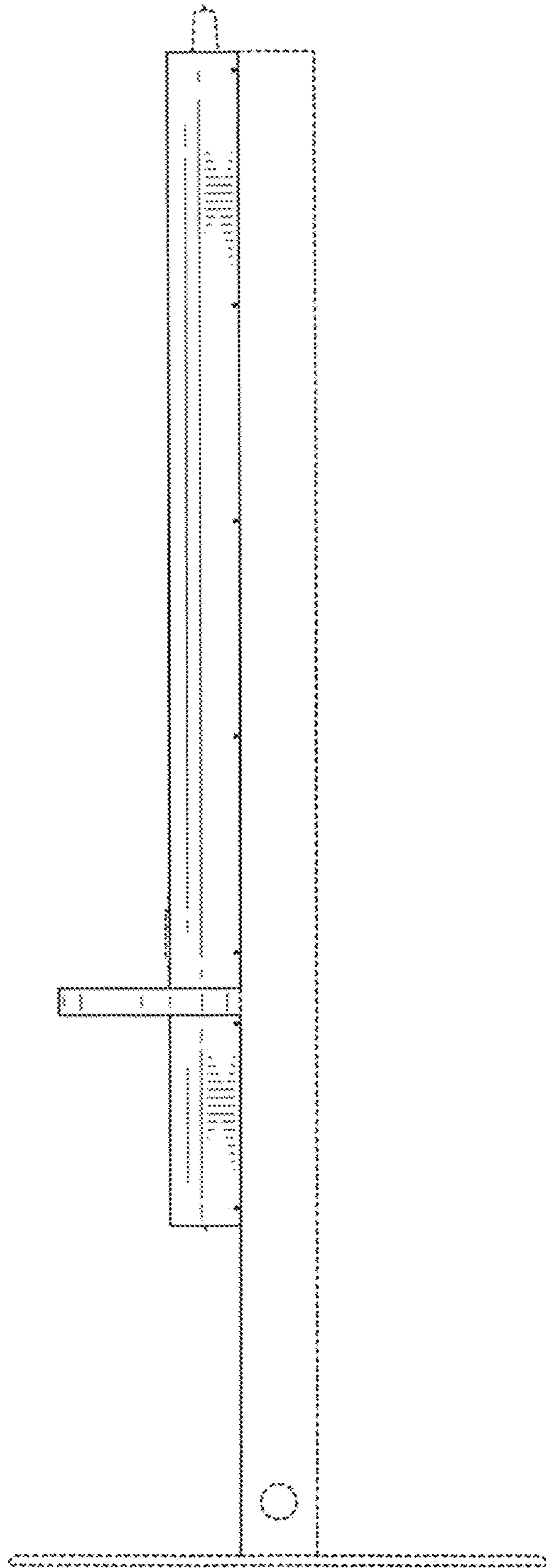


FIG. 5

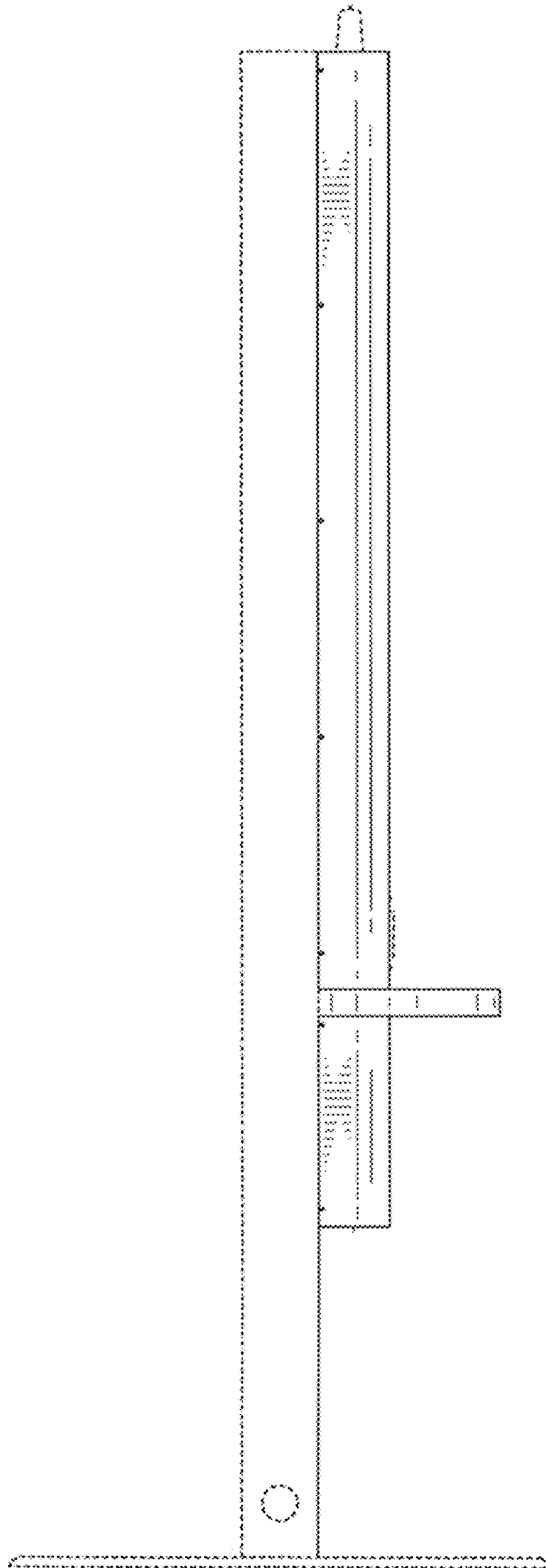


FIG. 6

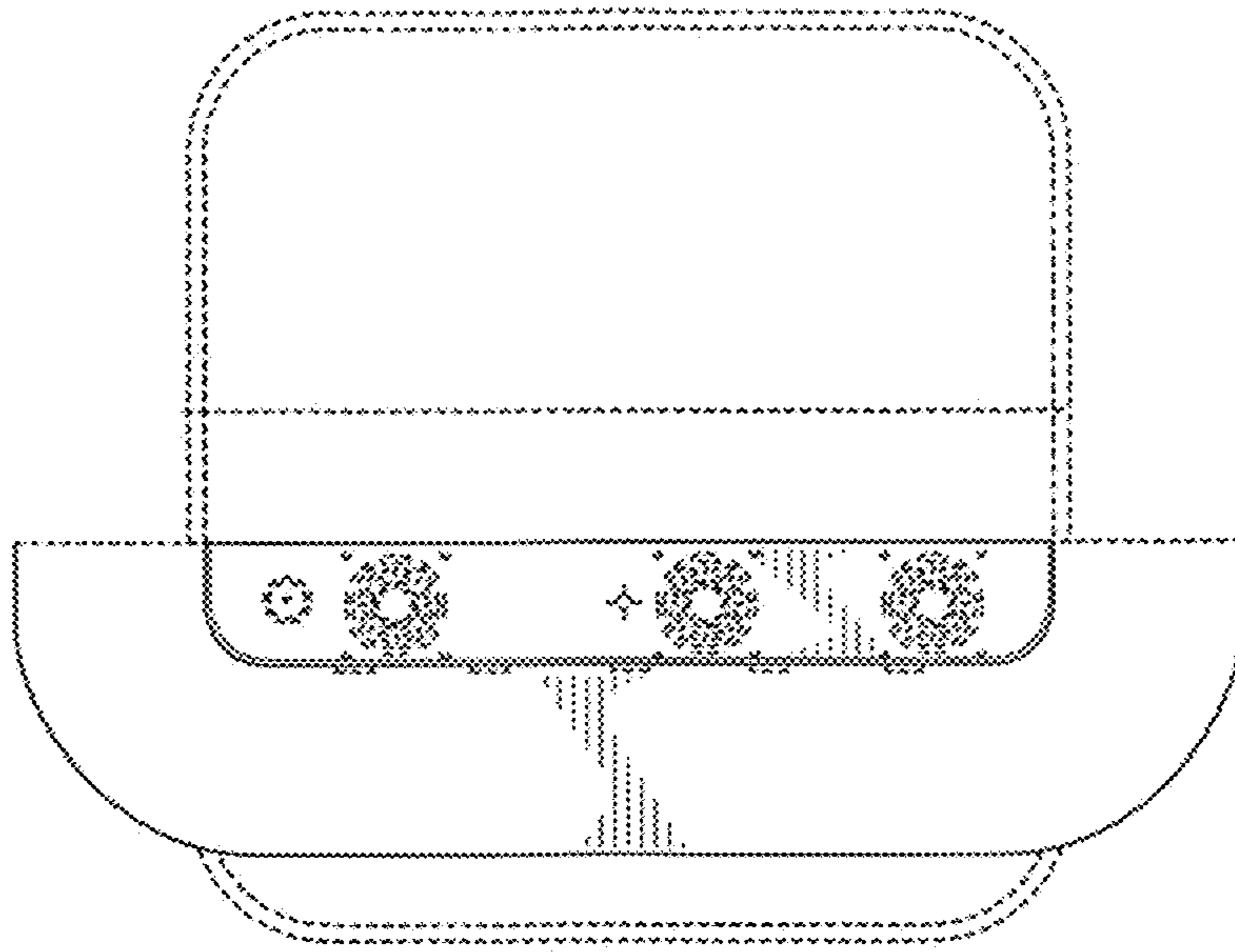


FIG. 7

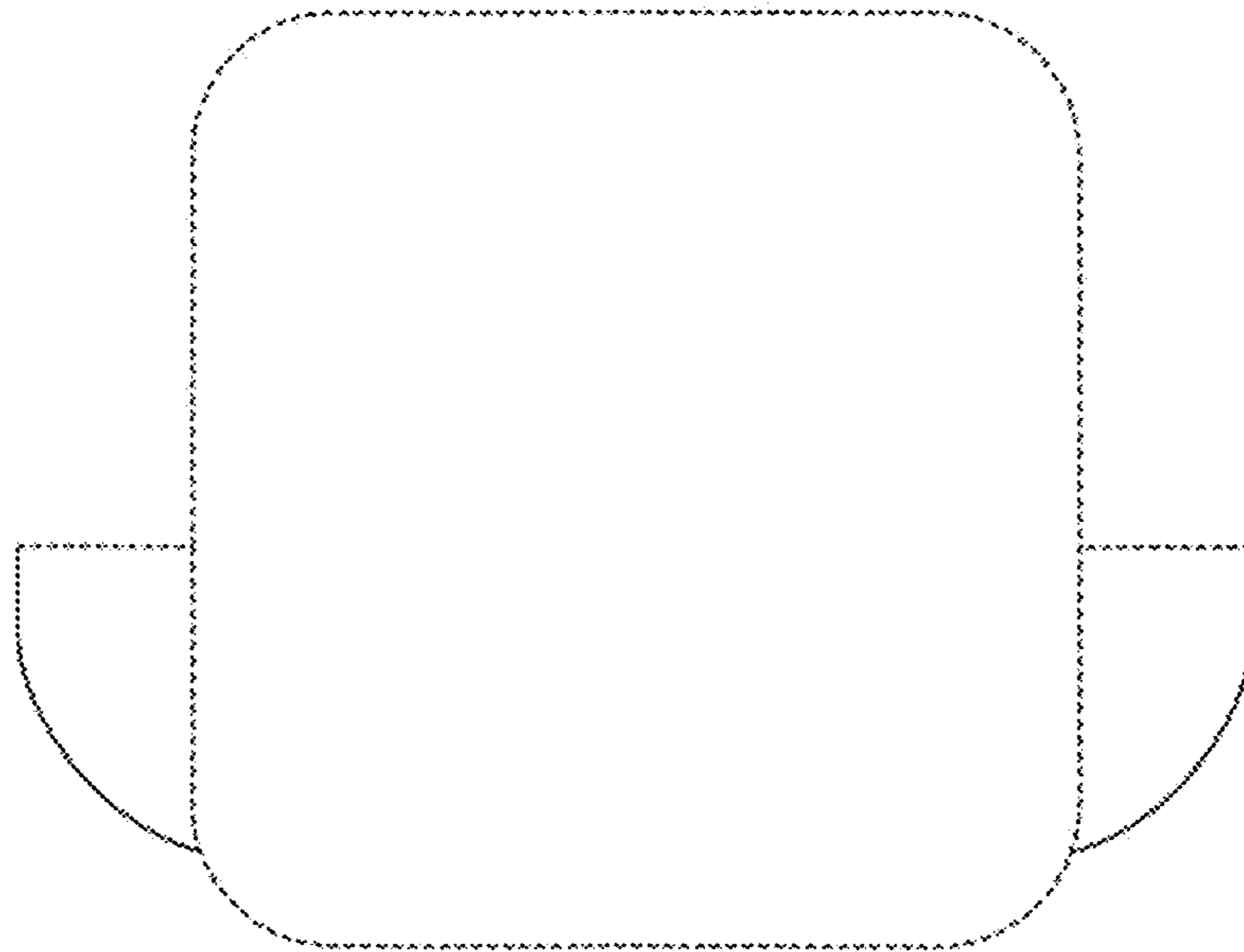


FIG. 8