



US00D783593S

(12) **United States Design Patent**
Chen

(10) **Patent No.:** **US D783,593 S**

(45) **Date of Patent:** **** Apr. 11, 2017**

(54) **ELECTRONIC DEVICE HOLDER**

(56) **References Cited**

(71) Applicant: **QUITO TECHNOLOGY CO., LTD.**,
Taipei (TW)

U.S. PATENT DOCUMENTS

(72) Inventor: **Yin-Hung Chen**, Taipei (TW)

D692,898 S *	11/2013	Luijben	D14/447
D696,259 S *	12/2013	Howarth	D14/447
D704,199 S *	5/2014	Byun	D14/447
D709,066 S *	7/2014	Byun	D14/253
D748,615 S *	2/2016	Lee	D14/251
D749,596 S *	2/2016	Khodapanah	D14/447
D765,549 S *	9/2016	Khodapanah	D12/114
D769,859 S *	10/2016	Herbst	D14/253
2016/0082893 A1 *	3/2016	Ormsbee	B60R 11/0241 224/558

(73) Assignee: **QUITO TECHNOLOGY CO., LTD.**,
Taipei (TW)

(**) Term: **15 Years**

(21) Appl. No.: **29/564,001**

* cited by examiner

(22) Filed: **May 10, 2016**

Primary Examiner — Susan Bennett Hattan

(51) **LOC (10) Cl.** **14-03**

Assistant Examiner — Janice Hallmark

(52) **U.S. Cl.**

(74) *Attorney, Agent, or Firm* — Chun-Ming Shih; HDLS
IPR Services

USPC **D14/253**

(58) **Field of Classification Search**

(57) **CLAIM**

The ornamental design for an electronic device holder, as shown and described.

USPC D14/253, 251, 252, 447, 451, 452, 440,
D14/434, 458, 432, 439, 457, 460, 238.1,
D14/140, 142, 149, 217, 148, 140.8,
D14/140.11, 209.1, 151, 140.9, 250, 238;
D13/107, 108; D12/415, 223, 114, 420,
D12/417, 407, 177; D3/218, 349;
D16/242-245, 250, 237, 203, 214, 219;
D6/675, 672, 673, 675.4, 553, 676, 310,
D6/406.3, 406.4, 406.5, 406.6, 407, 567,
D6/300, 682.3, 396; 248/459, 460;
224/483

DESCRIPTION

CPC B60R 2011/0008; B60R 11/02; B60R
11/0241; B60R 11/0258; B60R 11/0252;
B60R 2011/0294; F16M 11/00; F16M
11/04; F16M 11/041; F16M 11/02; F16M
11/06; F16M 13/00; H04M 1/02; H04M
1/04; H04M 1/11; H04M 1/12; A47F
7/022; B62J 11/00; H05K 7/00; G03B
17/56

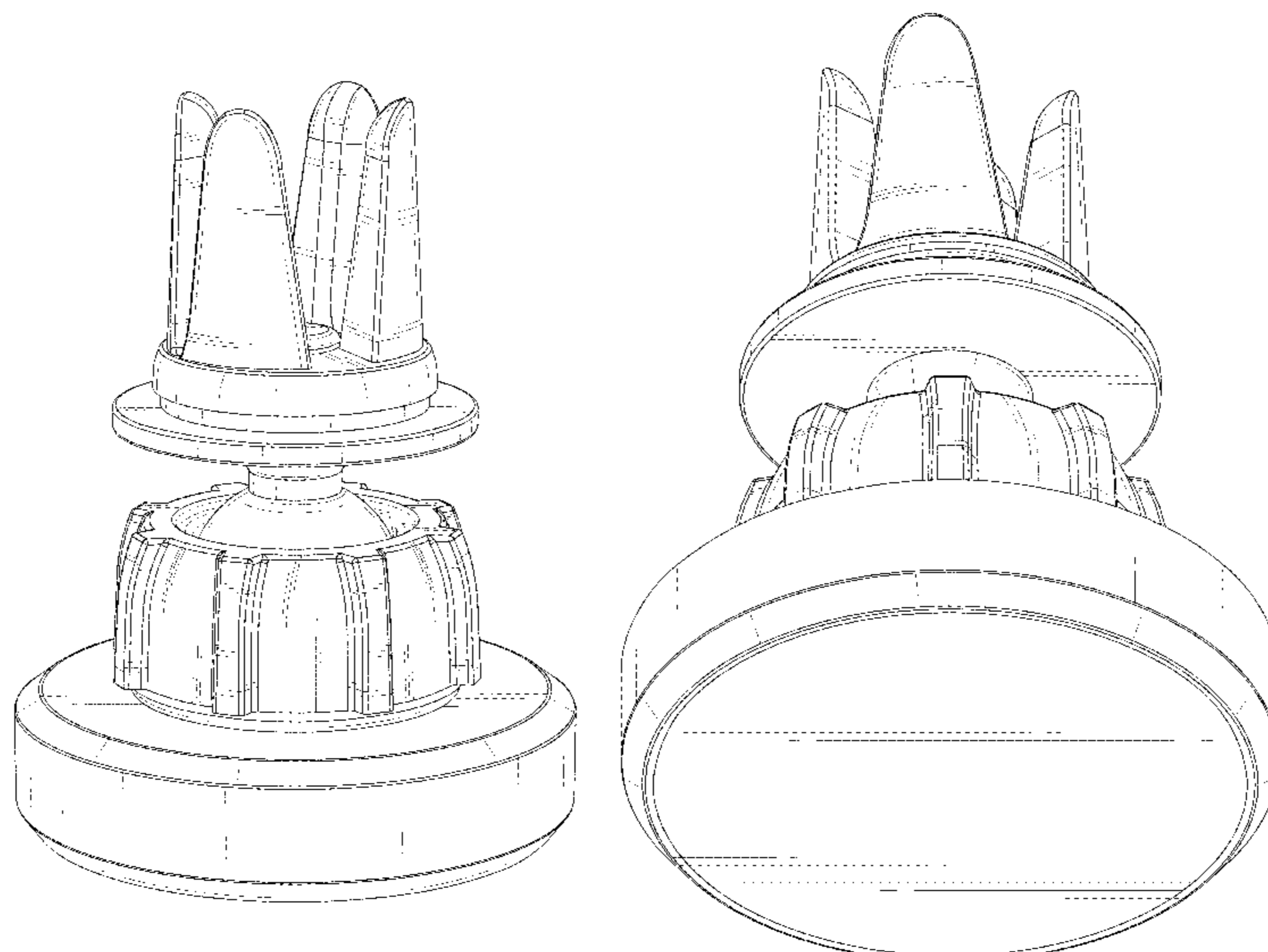
FIG. 1 is a perspective view of an electronic device holder showing my new design;
FIG. 2 is a front view thereof;
FIG. 3 is a rear view thereof;
FIG. 4 is a left side view thereof;
FIG. 5 is a right side view thereof;
FIG. 6 is a top view thereof;
FIG. 7 is a bottom view thereof; and
FIG. 8 is second perspective view showing the electronic device holder.

FIG. 9 is a partial cross-sectional view thereof along line 9-9 shown in FIG. 2; and,
FIG. 10 is a perspective view showing the electronic device in use.

The broken lines in the drawings depict environmental subject matter only and form no part of the claimed design.

See application file for complete search history.

1 Claim, 10 Drawing Sheets



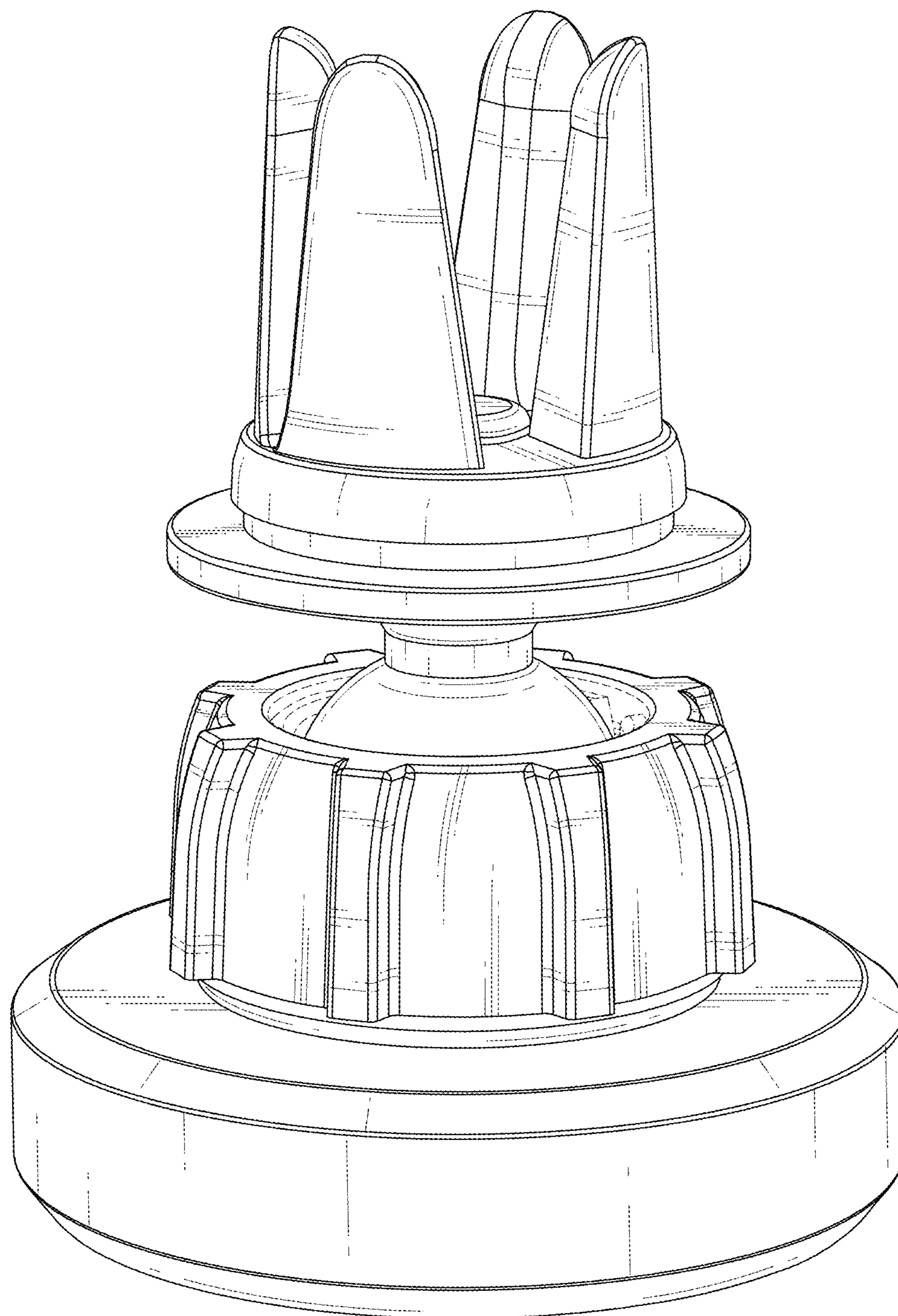


FIG.1

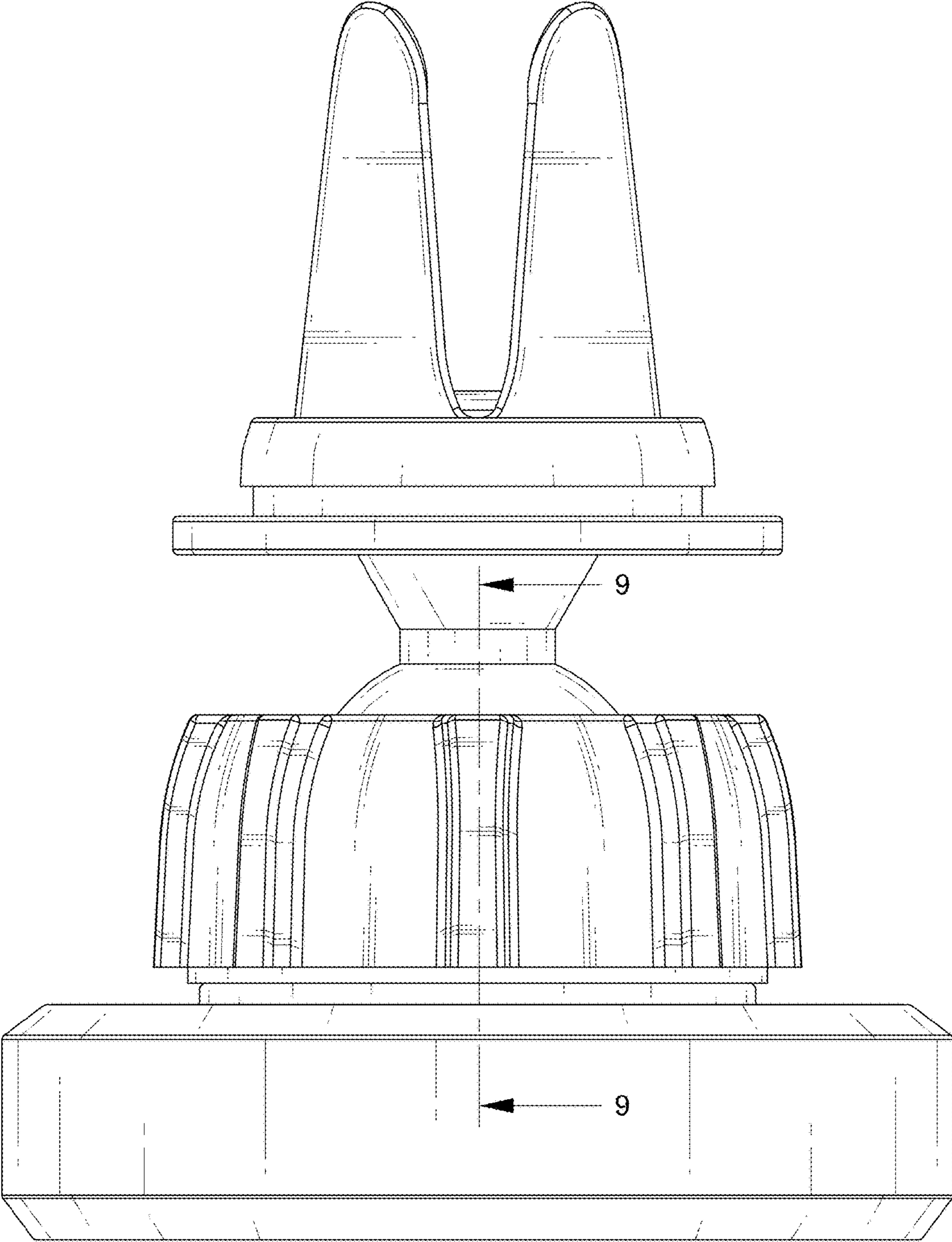


FIG.2

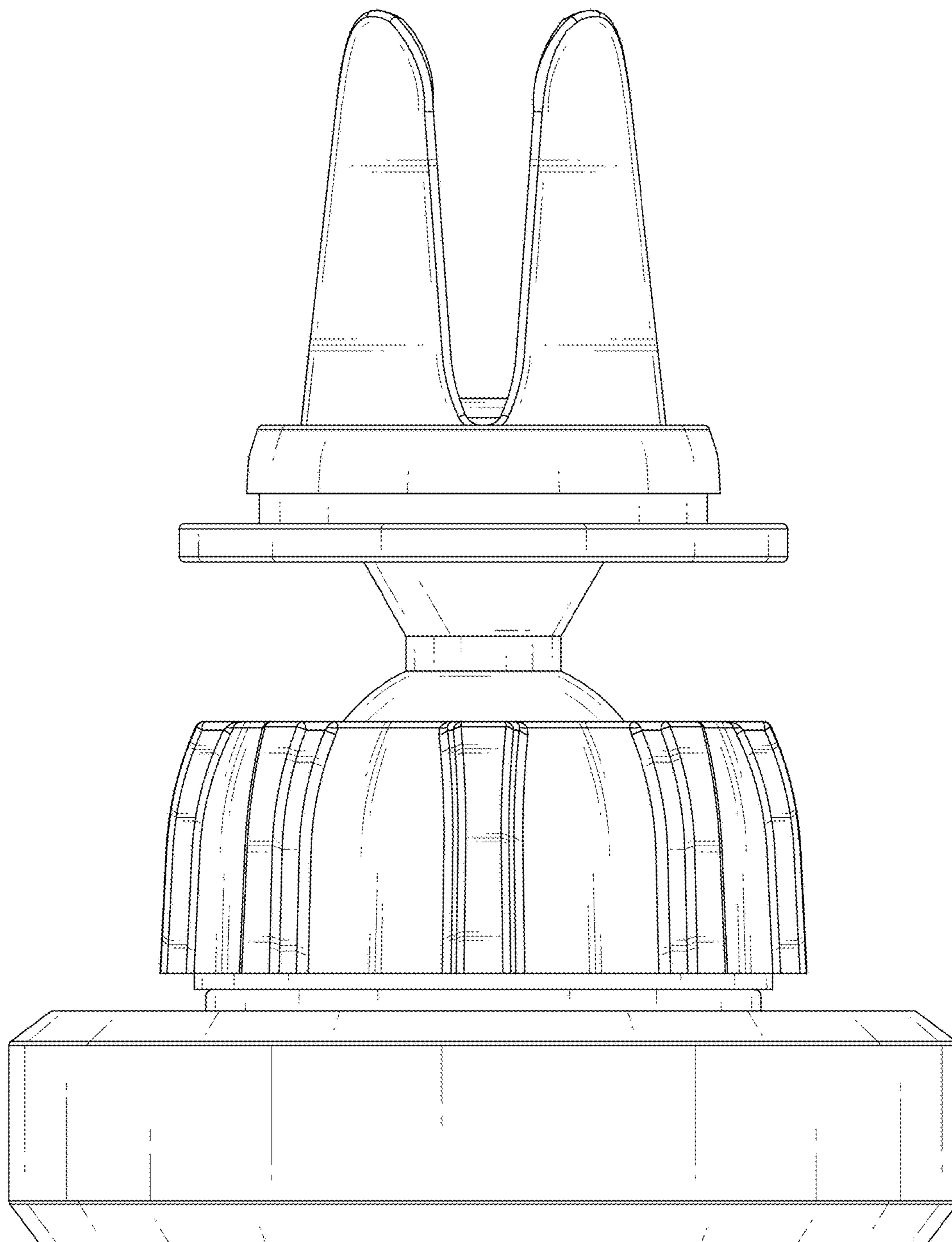


FIG.3

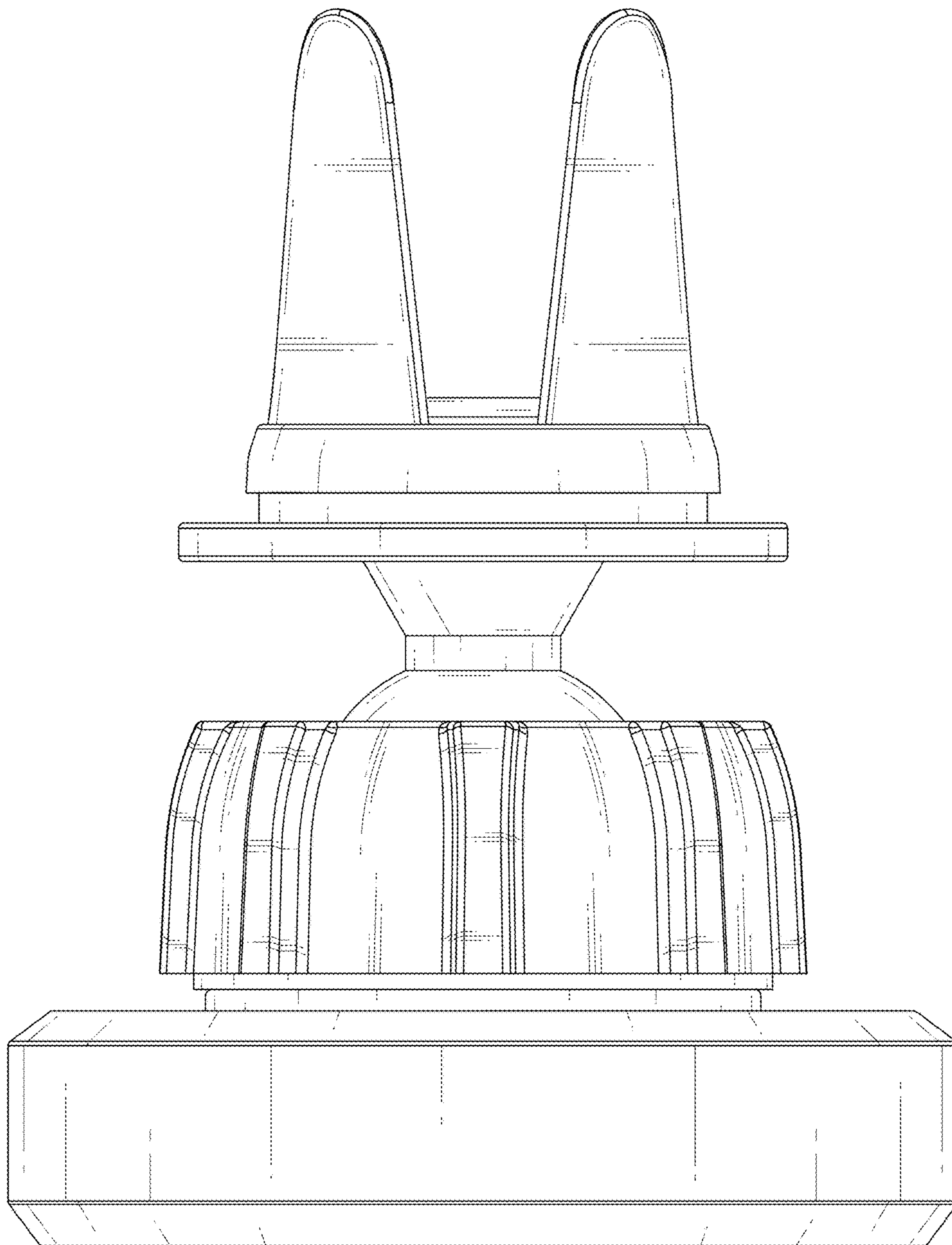


FIG.4

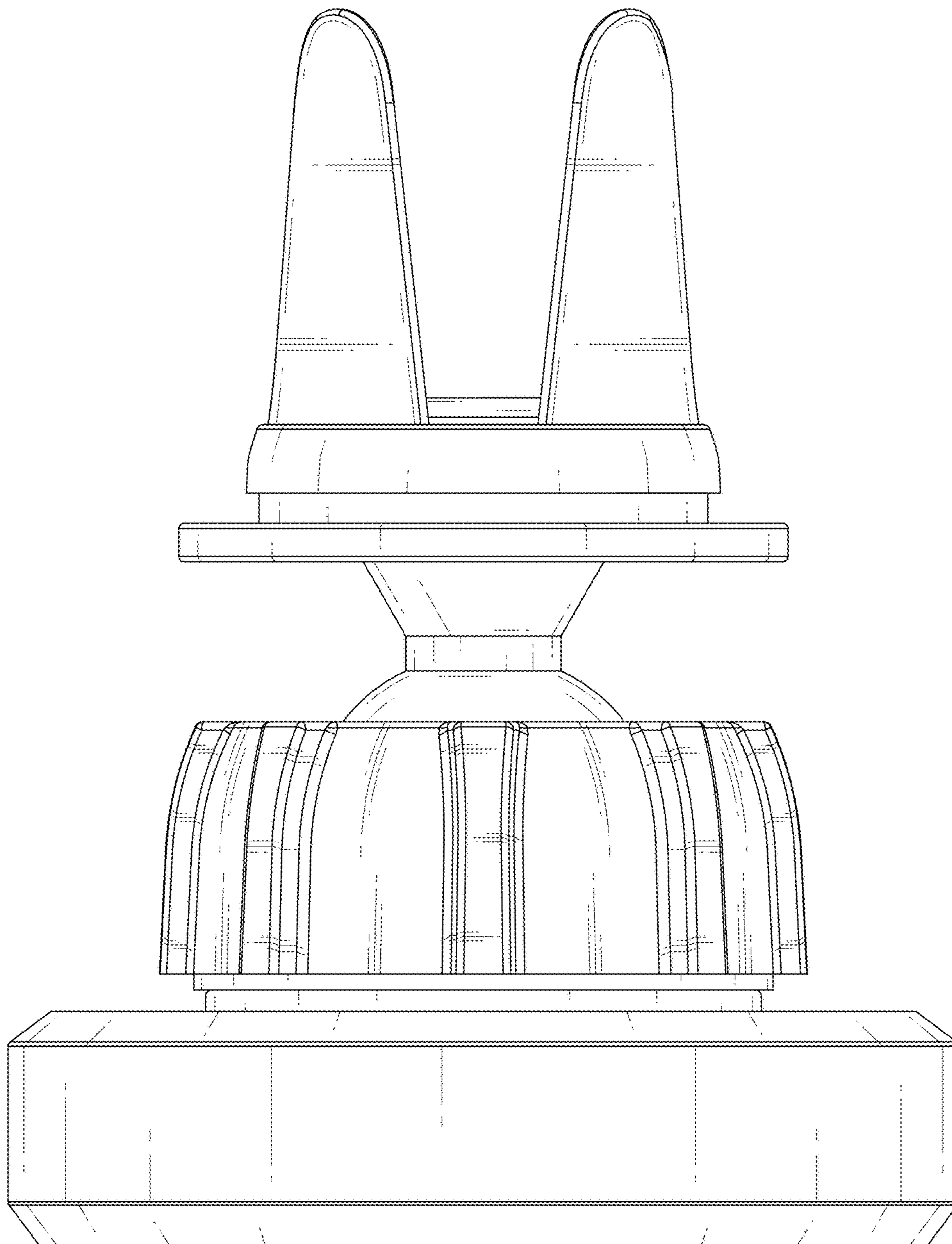


FIG.5

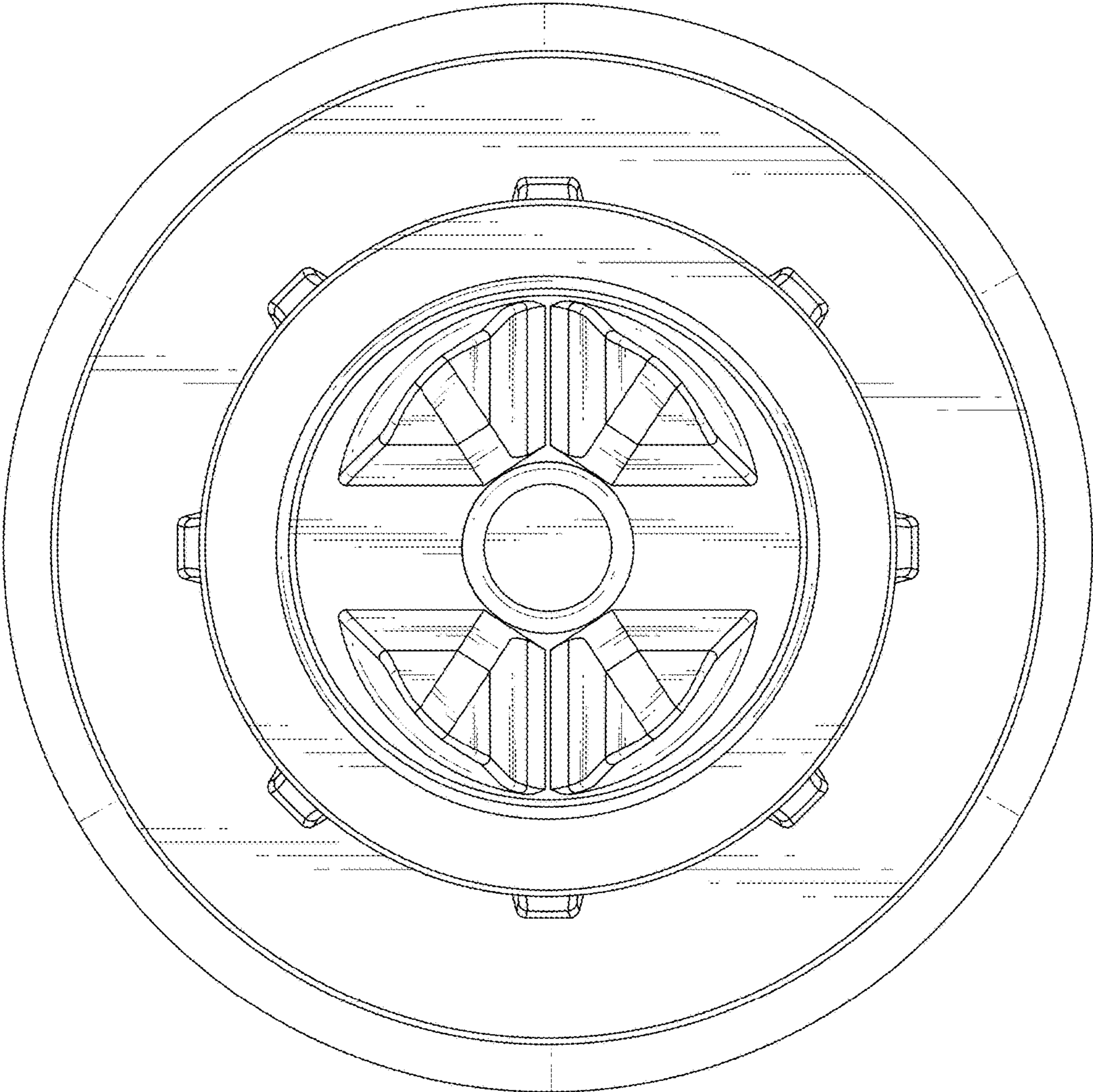


FIG.6

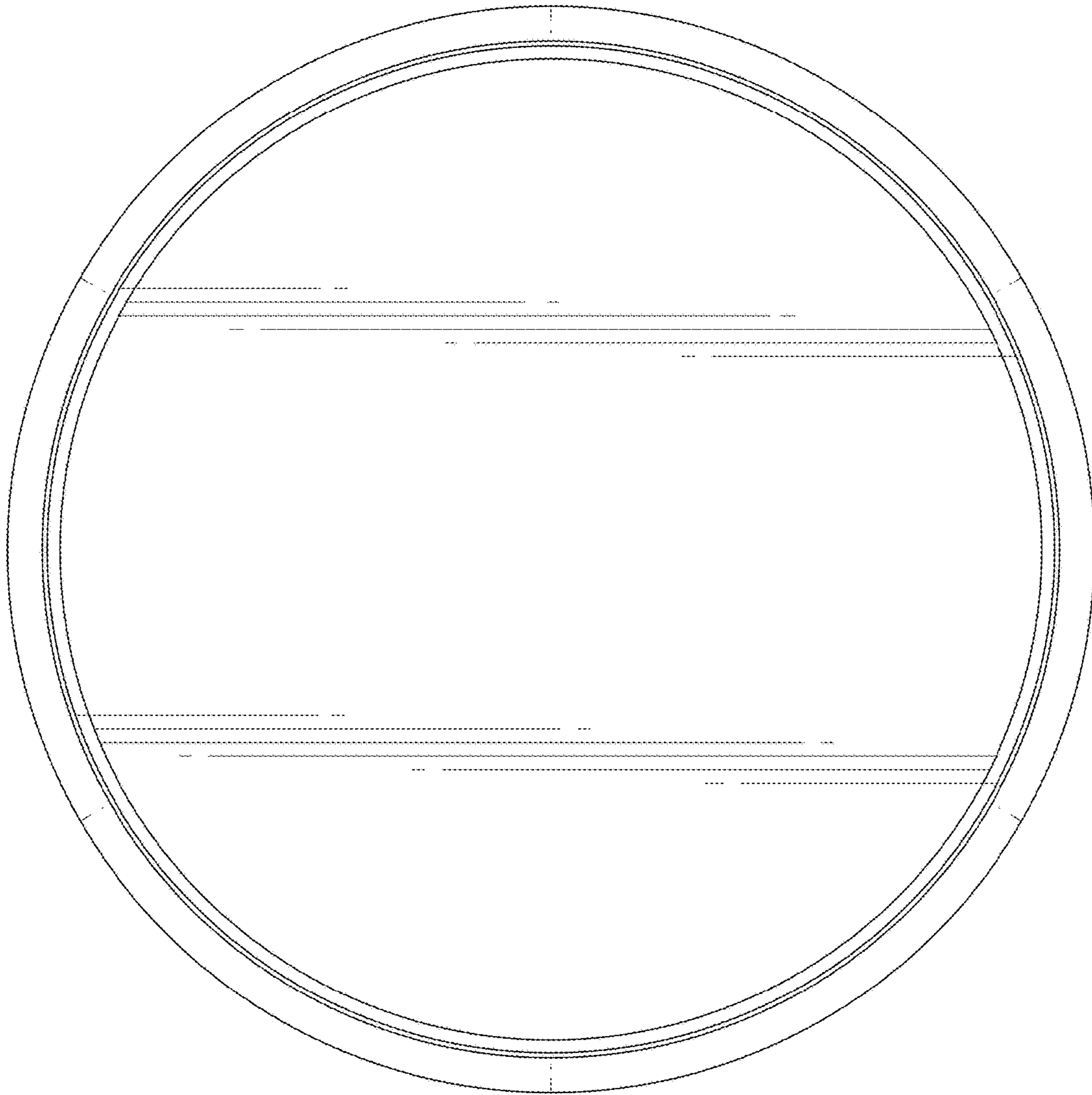


FIG.7

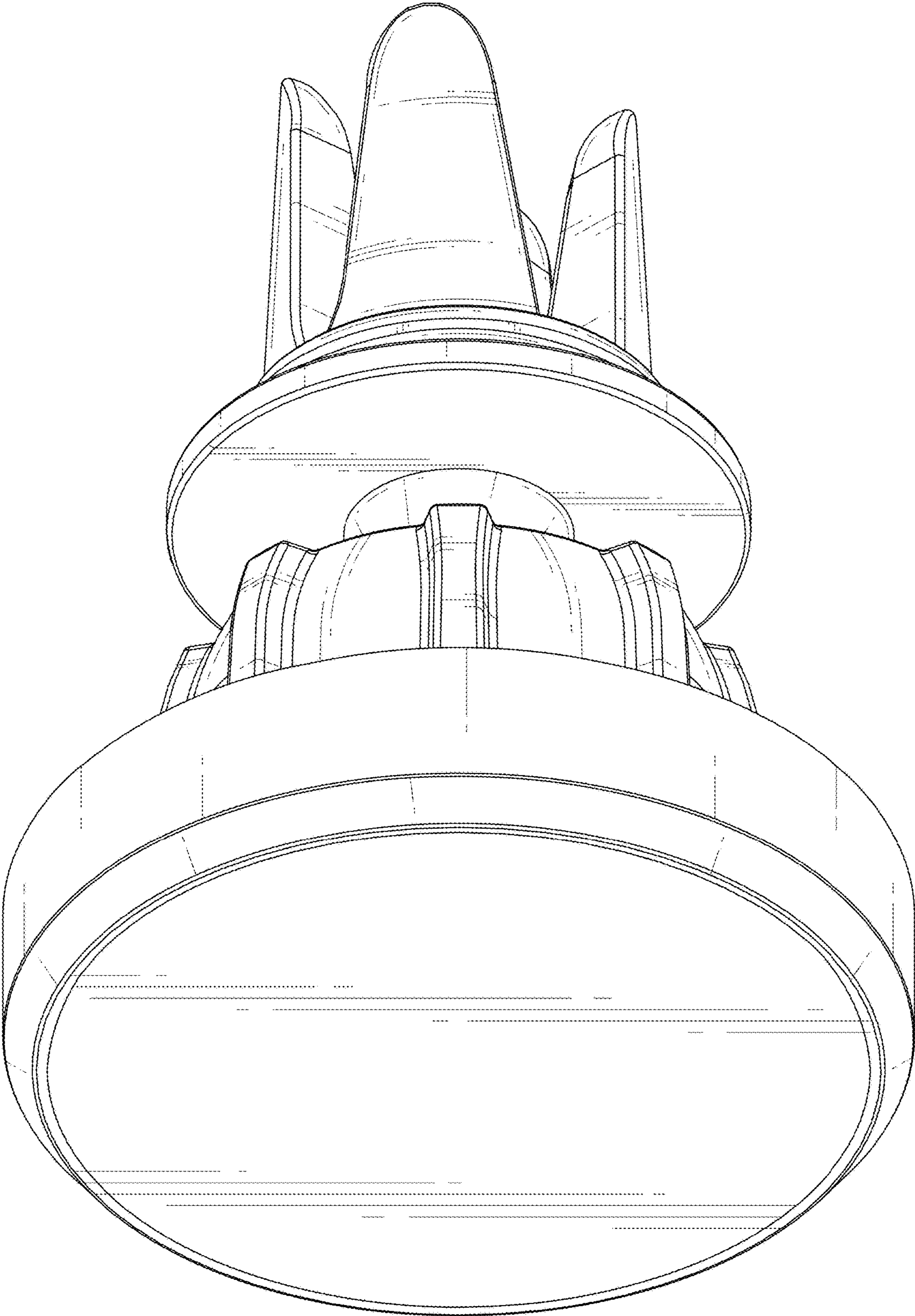


FIG. 8

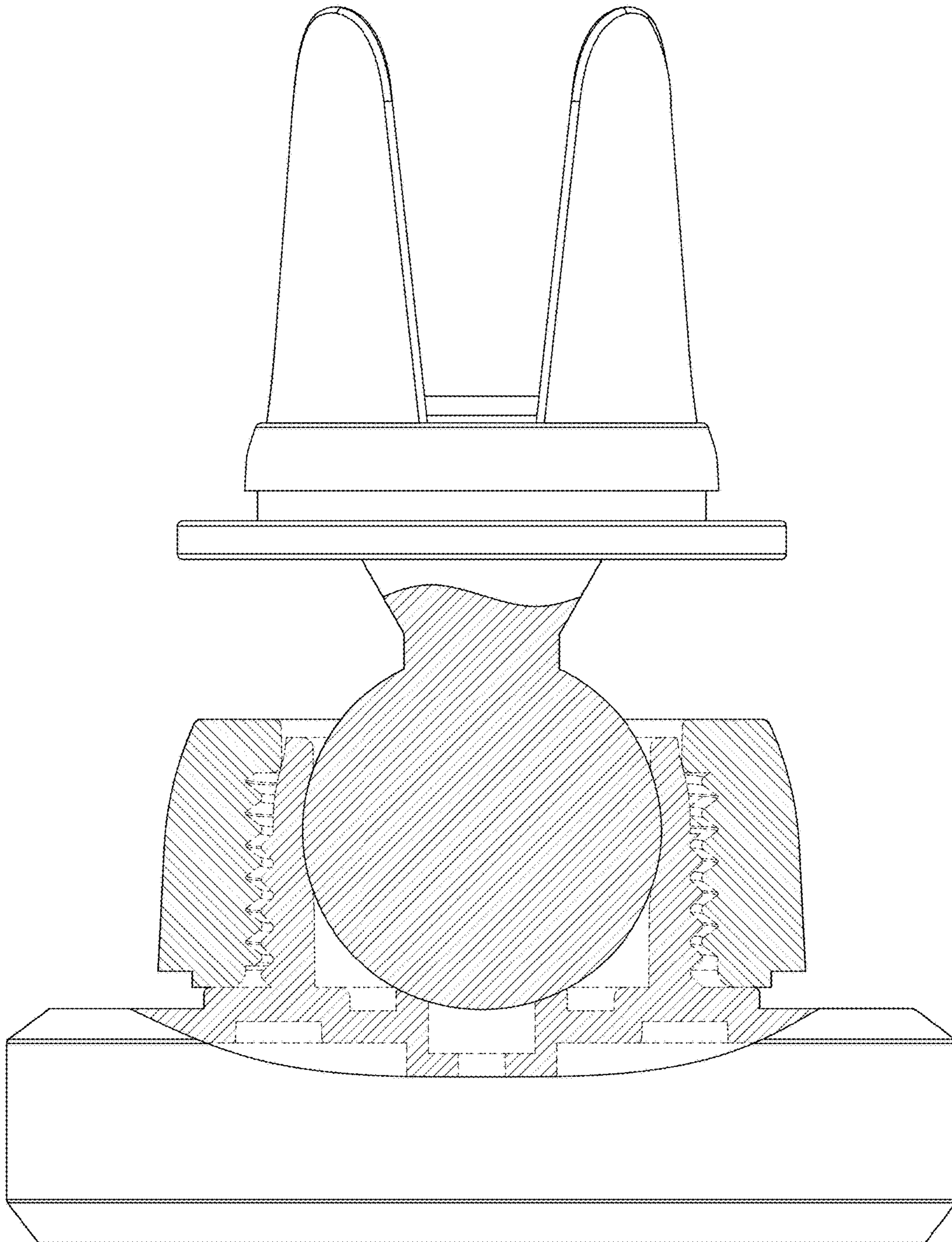


FIG.9

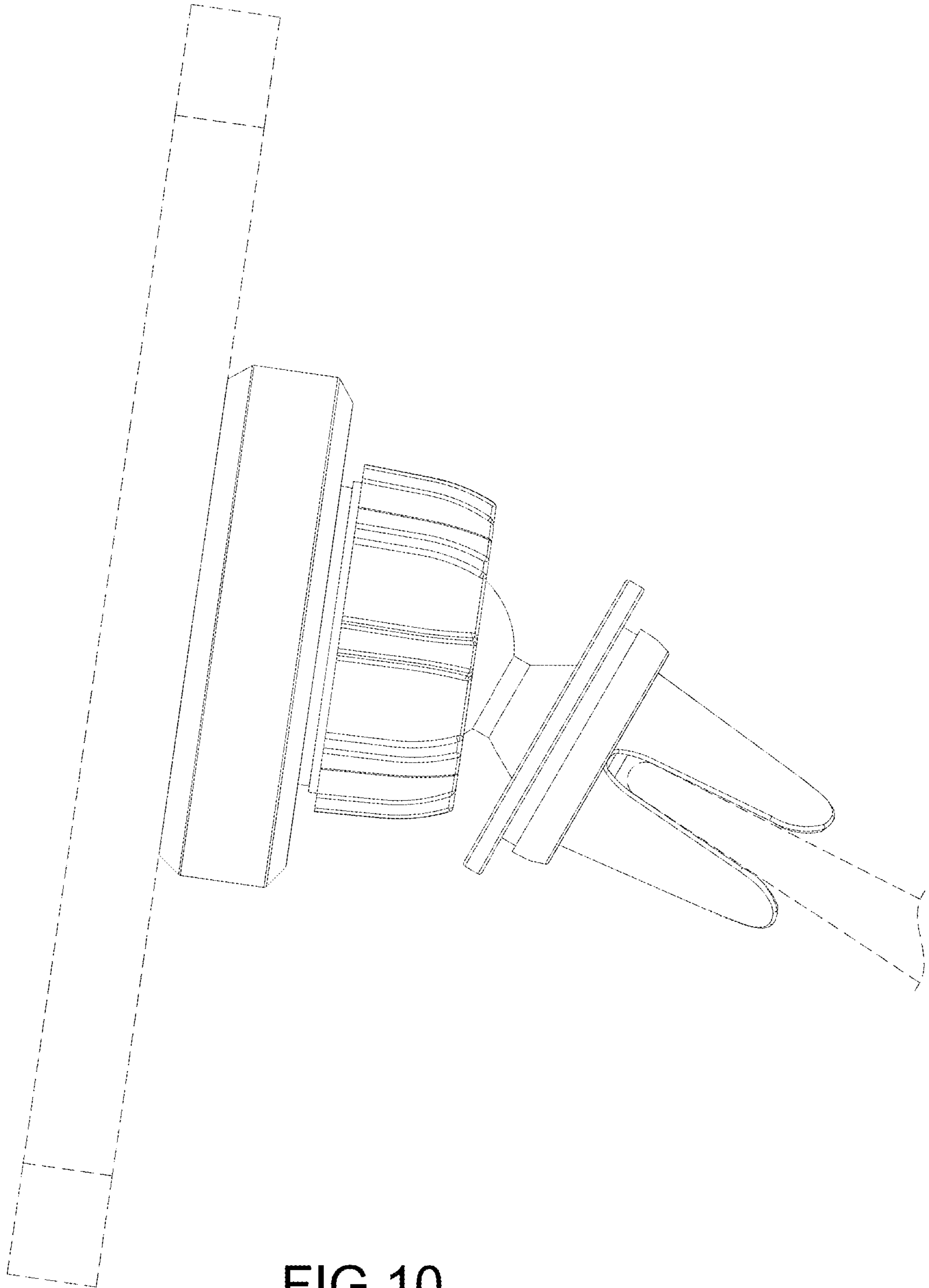


FIG.10