



US00D783592S

(12) **United States Design Patent** (10) **Patent No.:** **US D783,592 S**
Ju (45) **Date of Patent:** **** Apr. 11, 2017**

(54) **AIR VENT CELL PHONE MOUNT**

(71) Applicant: **Qingsong Ju**, Campell, CA (US)

(72) Inventor: **Qingsong Ju**, Campell, CA (US)

(**) Term: **15 Years**

(21) Appl. No.: **29/553,275**

(22) Filed: **Jan. 29, 2016**

(51) **LOC (10) Cl.** **14-03**

(52) **U.S. Cl.**
USPC **D14/253**

(58) **Field of Classification Search**
USPC D14/253, 251, 252, 447, 451, 452, 440,
D14/434, 458, 432, 439, 457, 460, 238.1,
D14/140, 142, 149, 217, 148, 140.8,
D14/140.11, 209.1, 151, 140.9, 250, 238;
D13/107, 108; D12/415, 223, 114, 420,
D12/417, 407, 177; D3/218;
D16/242-245, 250, 237, 203, 214, 219;
D8/349; D6/675, 672, 673, 675.4, 553,
D6/676, 310, 406.3, 406.4, 406.5, 406.6,
D6/407, 567, 300, 682.3; 248/459, 460;
224/483
CPC B60R 2011/0008; B60R 11/02; B60R
11/0241; B60R 11/0258; B60R 11/0252;
B60R 2011/0294; F16M 11/00; F16M
11/04; F16M 11/041; F16M 11/02; F16M
11/06; F16M 13/00; H04M 1/02; H04M
1/04; H04M 1/11; H04M 1/12; A47F
7/022; B62J 11/00; H05K 7/00; G03B
17/56

See application file for complete search history.

(56) **References Cited**

U.S. PATENT DOCUMENTS

D690,707	S	*	10/2013	Minn	D14/447
D716,215	S	*	10/2014	Dunn	D12/415
D720,759	S	*	1/2015	Deng	D14/447
D726,175	S	*	4/2015	Tsai	D12/415
D750,633	S	*	3/2016	Minn	D14/447
D753,643	S	*	4/2016	Kim	D14/253
D757,705	S	*	5/2016	Esses	D14/251
D765,651	S	*	9/2016	Liu	D14/253
D768,125	S	*	10/2016	Kim	D14/253
D769,860	S	*	10/2016	Xiao	D14/253
2014/0138419	A1	*	5/2014	Minn	B60R 11/0241 224/567

* cited by examiner

Primary Examiner — Susan Bennett Hattan
Assistant Examiner — Janice Hallmark
(74) *Attorney, Agent, or Firm* — Steven A. Nielsen;
www.NielsenPatents.com

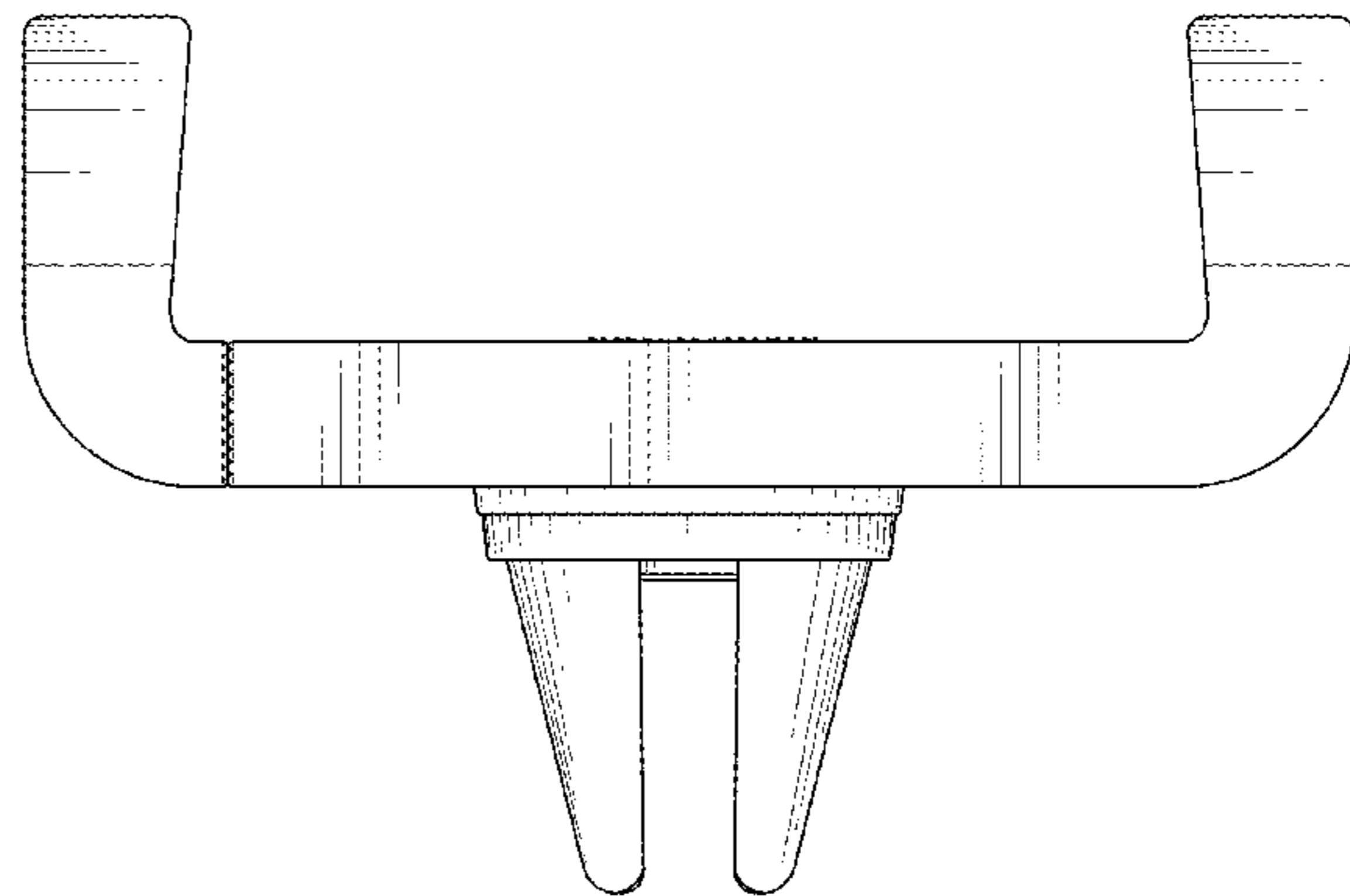
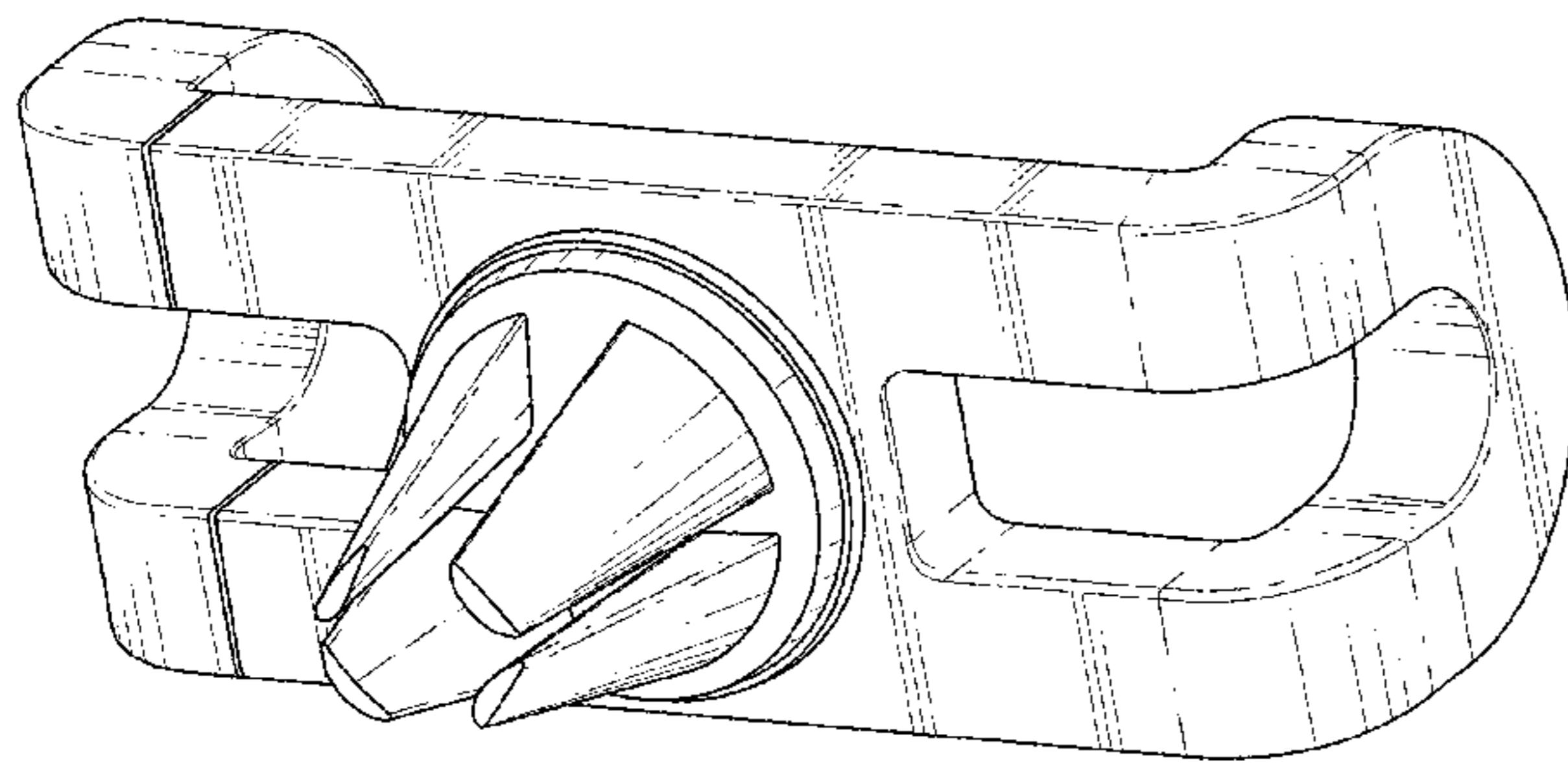
(57) **CLAIM**

The ornamental design for an air vent cell phone mount, as shown and described.

DESCRIPTION

FIG. 1 is a perspective front and top view of an air vent cell phone mount;
FIG. 2 is a front view thereof;
FIG. 3 is a back view thereof;
FIG. 4 is a left side view thereof, with the right side being a mirror image; and,
FIG. 5 is a top view thereof, with the bottom view being a mirror image.
The broken lines in the drawings depict environmental subject matter only and form no part of the claimed design.

1 Claim, 3 Drawing Sheets



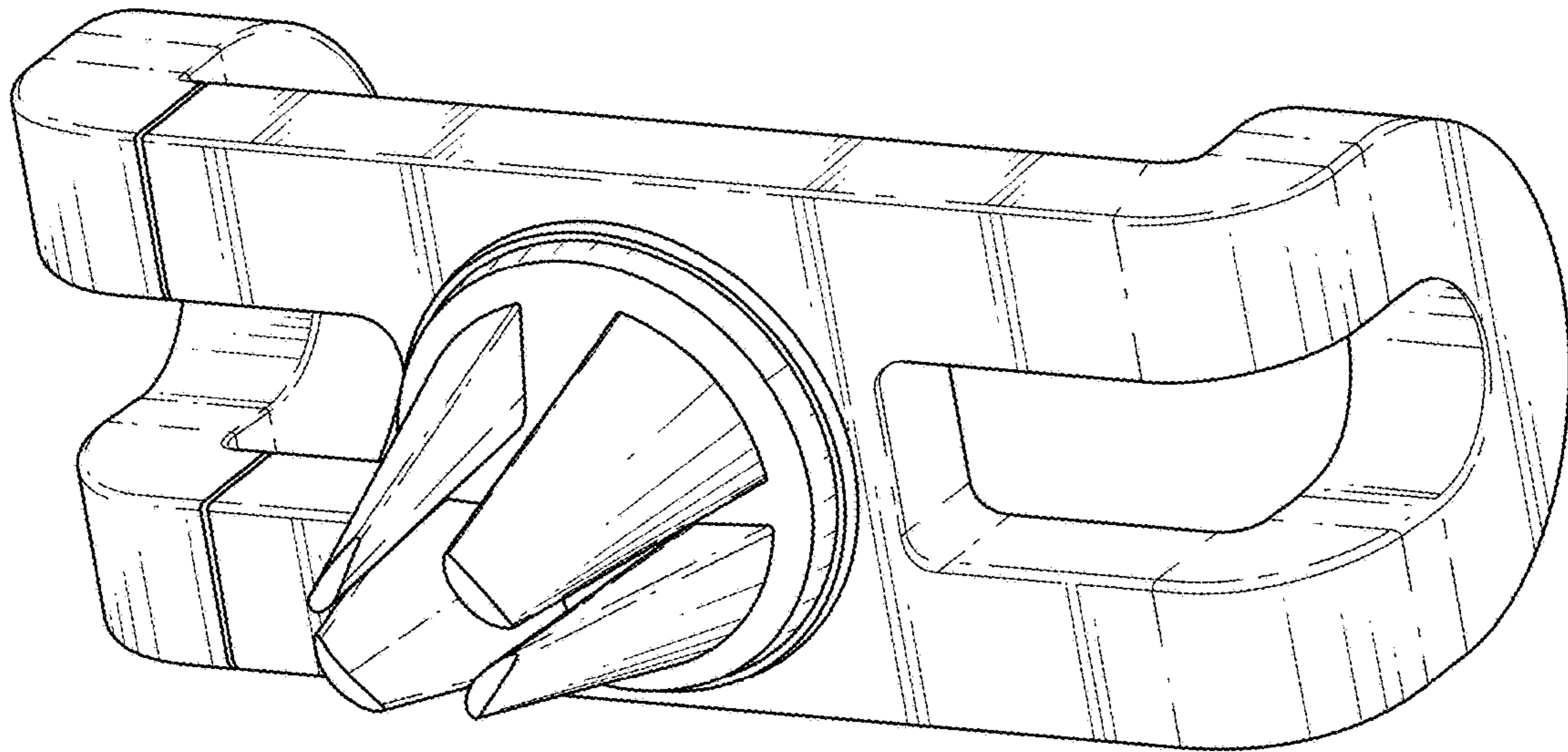


FIG. 1

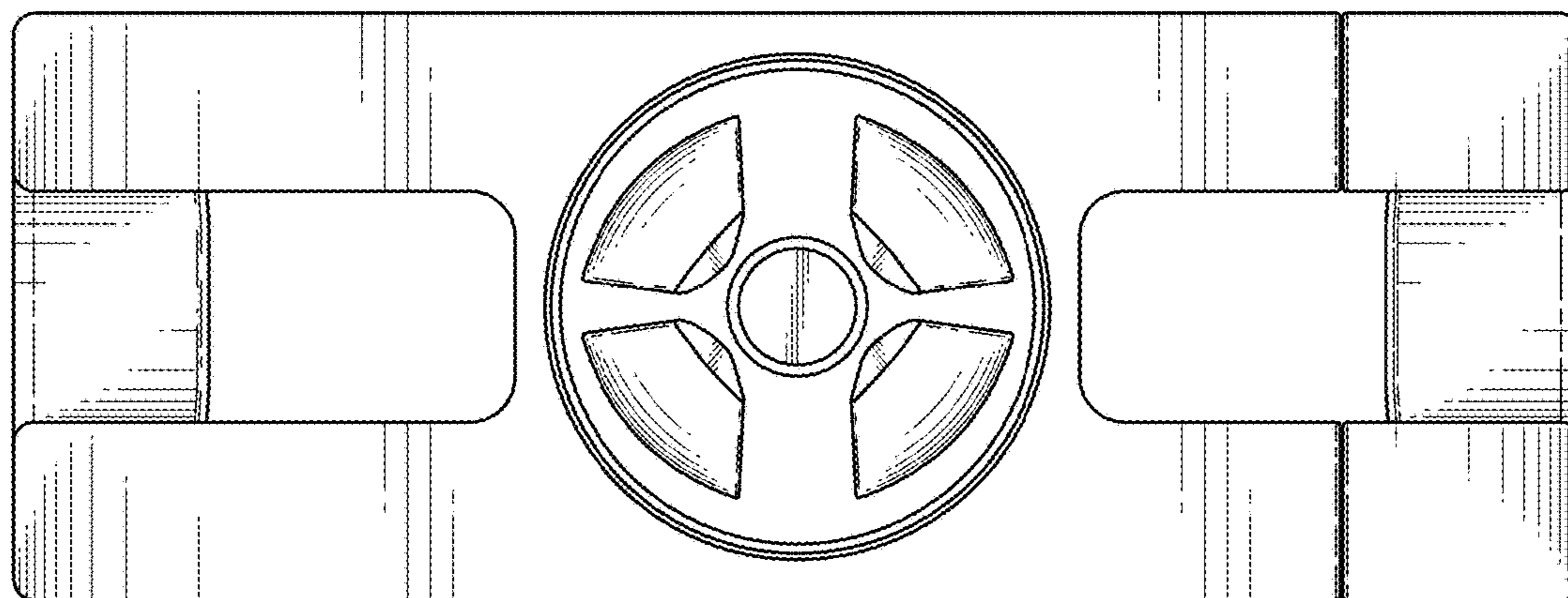


FIG. 2

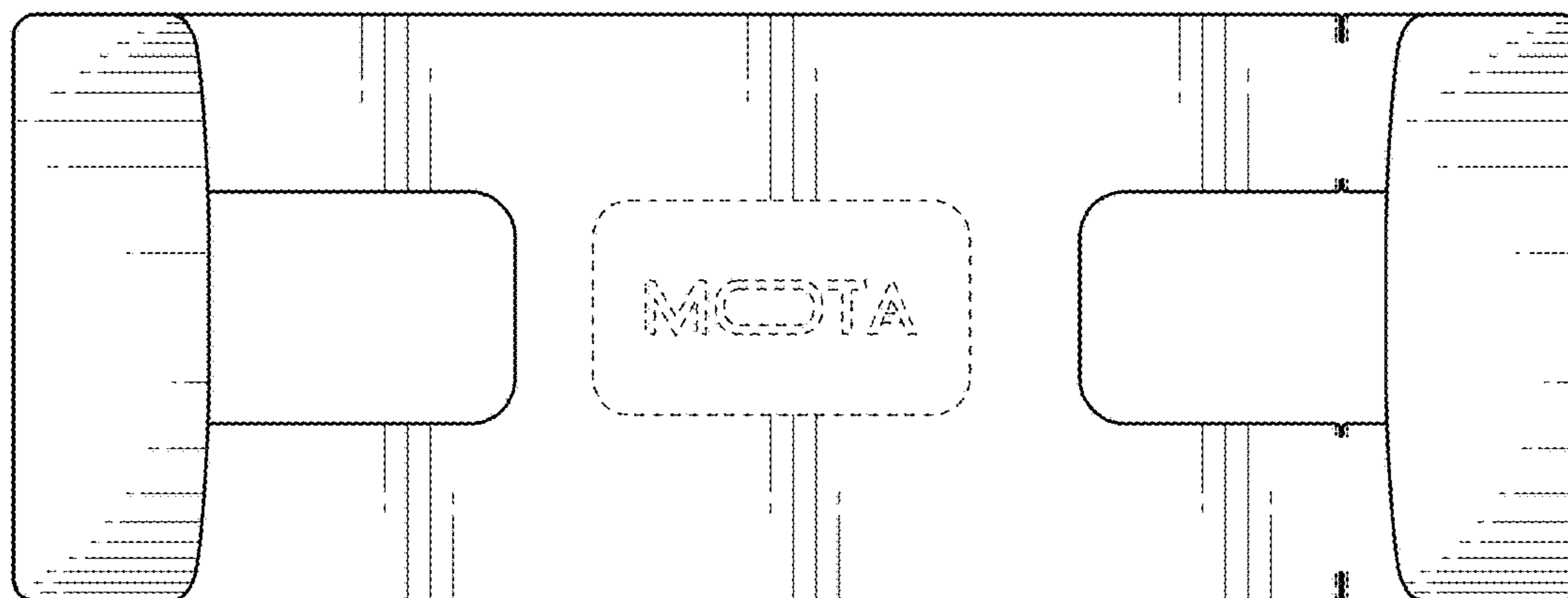


FIG. 3

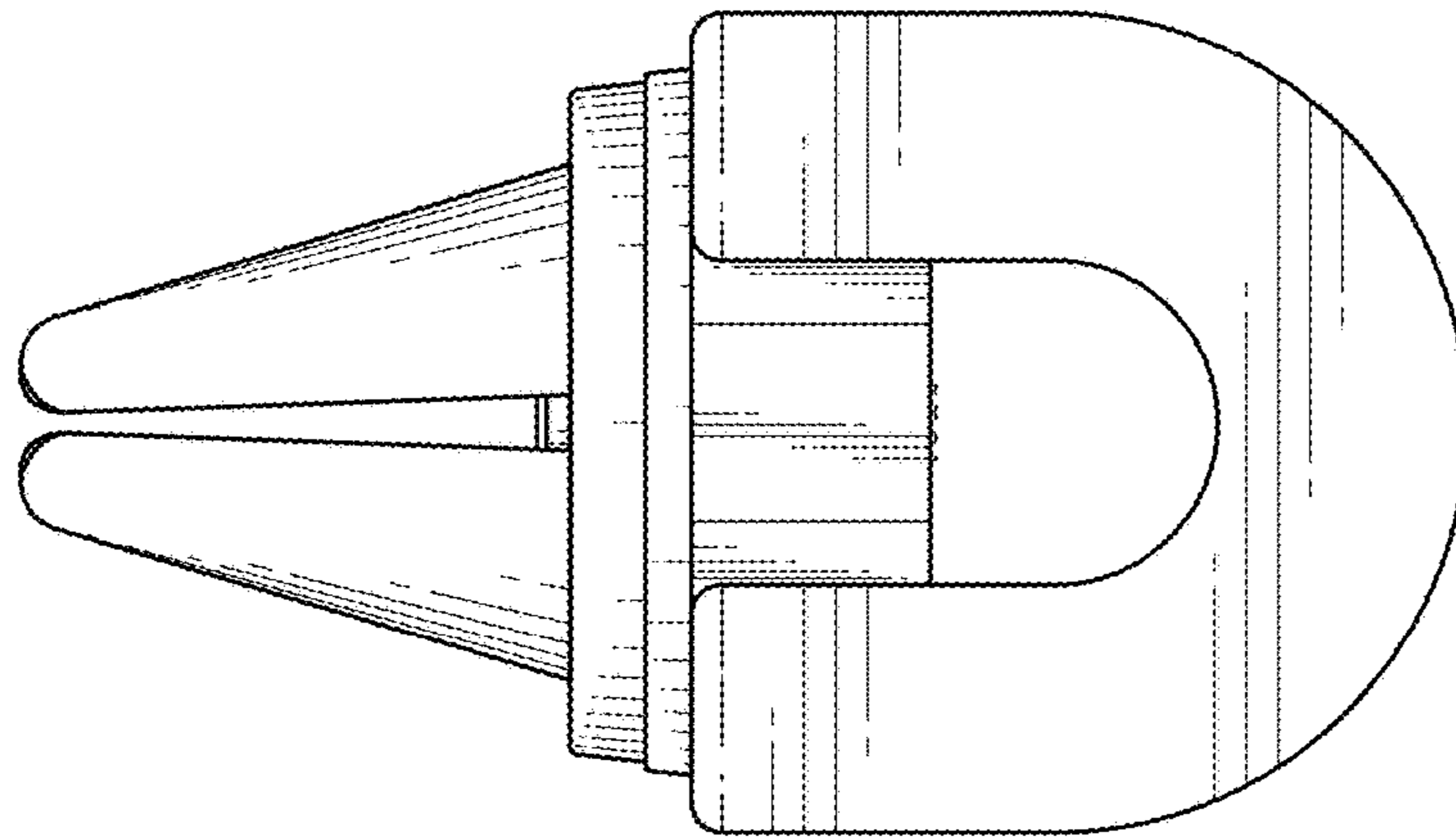


FIG. 4

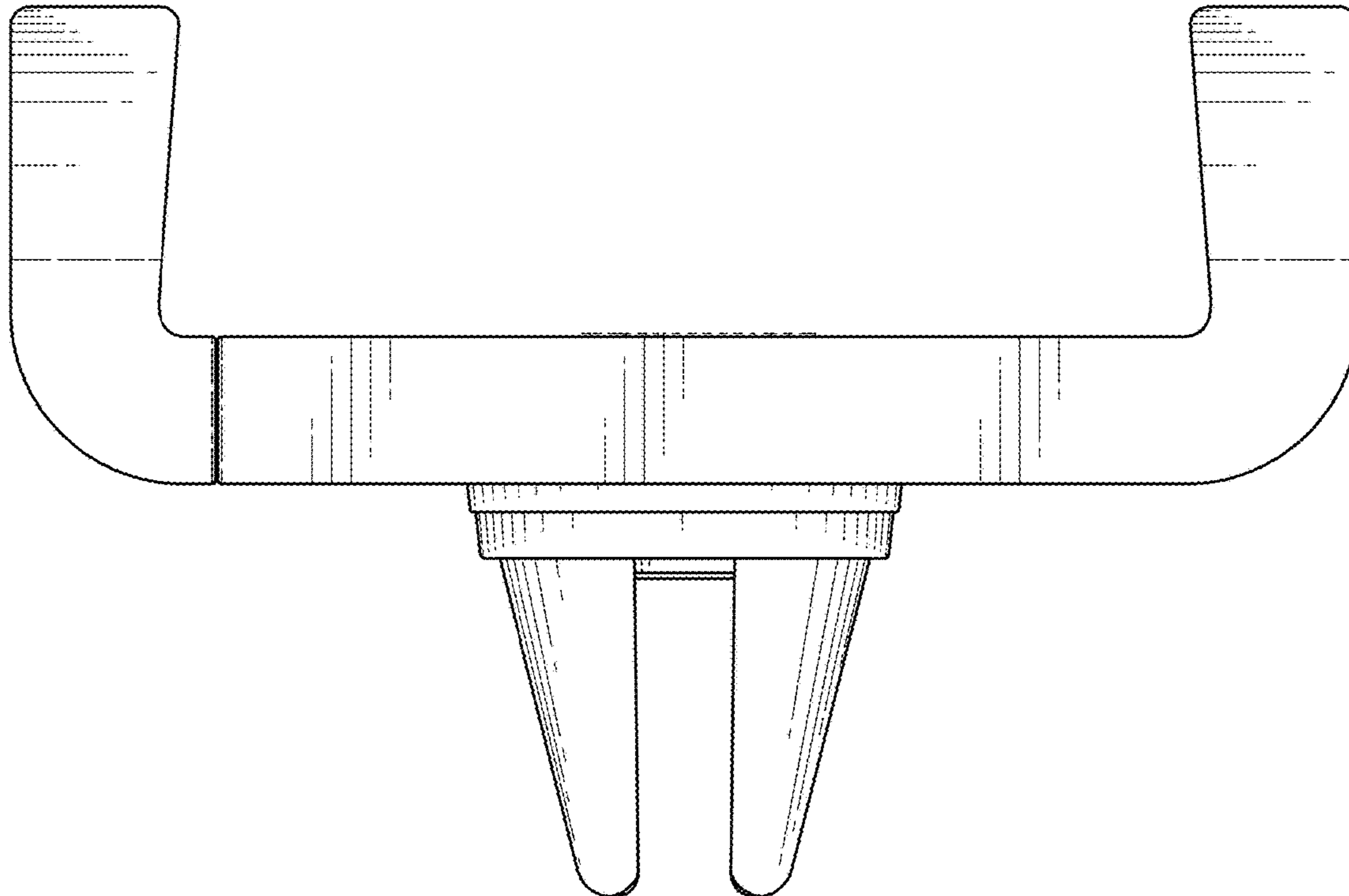


FIG. 5