



US00D783590S

(12) **United States Design Patent**  
**Wu**

(10) **Patent No.:** **US D783,590 S**

(45) **Date of Patent:** **\*\* Apr. 11, 2017**

(54) **CELL PHONE WITH INFRARED CAMERA**

(71) Applicant: **Jiping Wu**, Guangdong (CN)

(72) Inventor: **Jiping Wu**, Guangdong (CN)

(73) Assignee: **GUANGZHOU SAT INFRARED TECHNOLOGY CO. LTD.**,  
Guangdong (CN)

(\*\*) Term: **14 Years**

(21) Appl. No.: **29/487,674**

(22) Filed: **Apr. 10, 2014**

(30) **Foreign Application Priority Data**

Jan. 27, 2014 (CN) ..... 2014 3 0024580

(51) **LOC (10) Cl.** ..... **14-03**

(52) **U.S. Cl.**  
USPC ..... **D14/252**

(58) **Field of Classification Search**

USPC ..... D14/252, 253, 138 AA, 138 AD, 138 C,  
D14/138 G, 248, 341, 137, 346, 138 AC,  
D14/138 R, 496, 203.1, 203.4, 203.7,  
D14/218, 138 AB; D16/134, 206, 208,  
D16/219, 130; D21/517; 379/433.01,  
379/433.04; D10/65, 78, 104; D13/168

See application file for complete search history.

(56) **References Cited**

**U.S. PATENT DOCUMENTS**

D611,022 S \* 3/2010 Puhalla ..... D14/138 AA  
D627,321 S \* 11/2010 Ardinghi ..... D14/138 AB

D634,290 S \* 3/2011 Landwehr ..... D14/138 G  
D677,231 S \* 3/2013 Behling ..... D14/138 G  
D687,004 S \* 7/2013 Behling ..... D14/138 G  
D687,806 S \* 8/2013 Hachiya ..... D14/138 G  
D688,219 S \* 8/2013 Ikezu ..... D14/138 G  
D689,837 S \* 9/2013 Kangasmaa ..... D14/138 C  
D715,245 S \* 10/2014 Meneses ..... D14/138 G  
D716,249 S \* 10/2014 Zhang ..... D14/138 G  
D721,348 S \* 1/2015 Plaschke ..... D14/138 AA  
8,994,845 B2 \* 3/2015 Mankowski ..... H04N 5/23222  
348/222.1  
D729,188 S \* 5/2015 Nilsen ..... D14/138 G

\* cited by examiner

*Primary Examiner* — Garth Rademaker  
*Assistant Examiner* — Katie Stofko Mroczka  
(74) *Attorney, Agent, or Firm* — Stoel Rives LLP

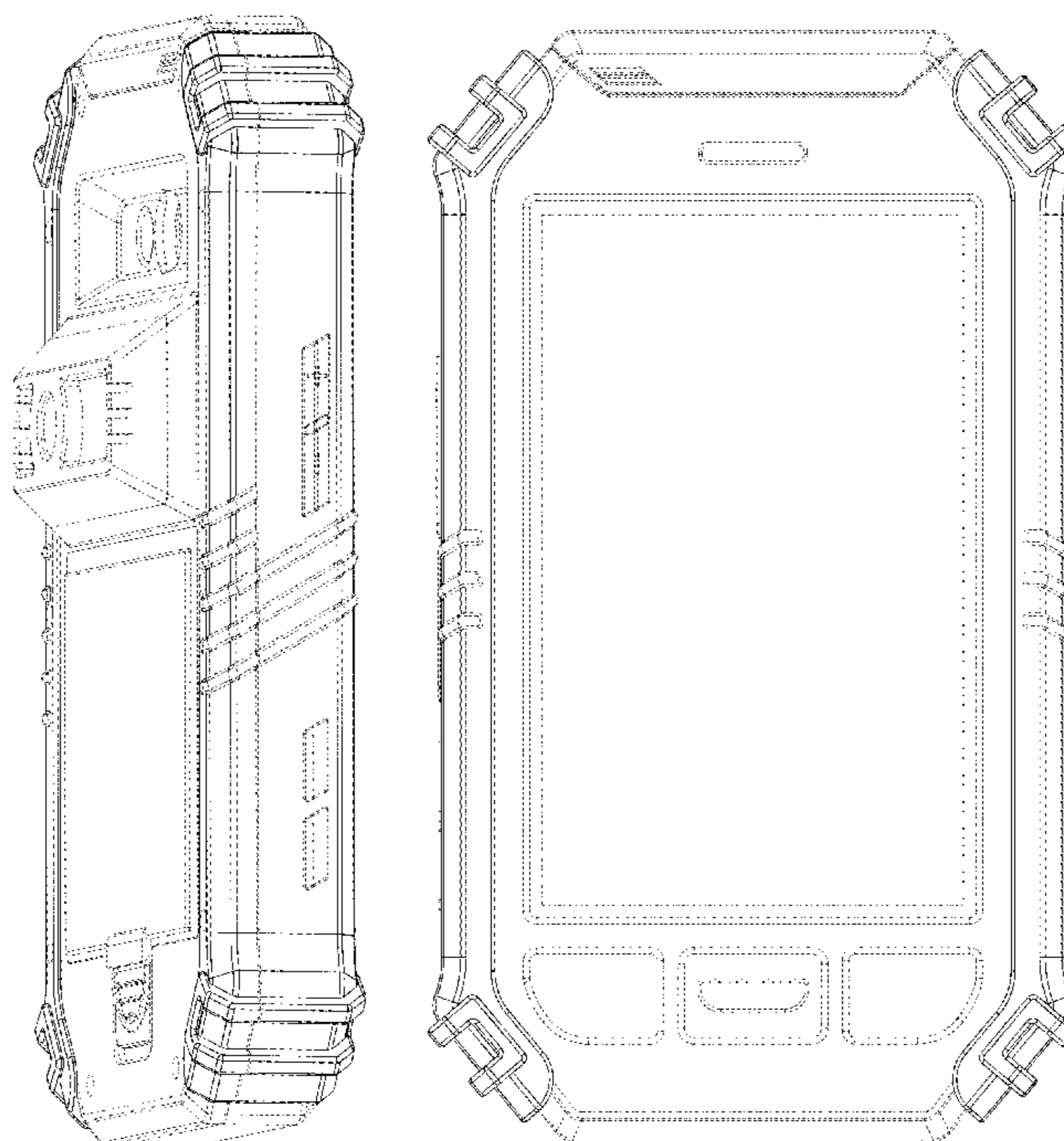
(57) **CLAIM**

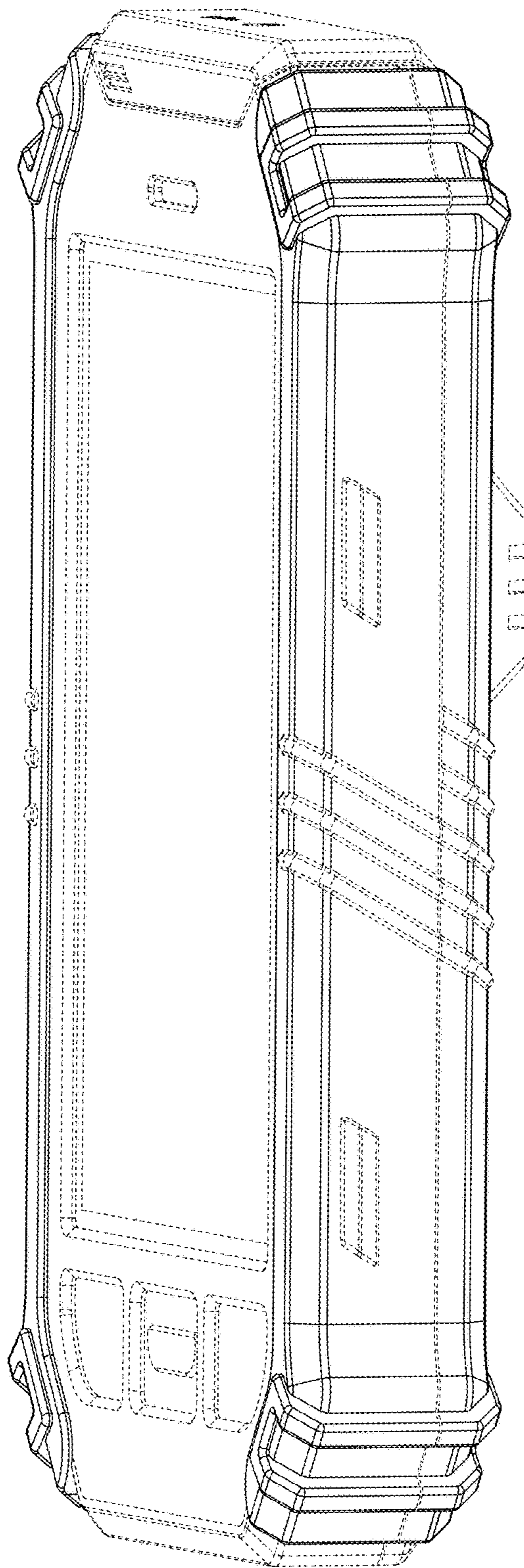
The ornamental design for a cell phone with infrared camera, as shown and described.

**DESCRIPTION**

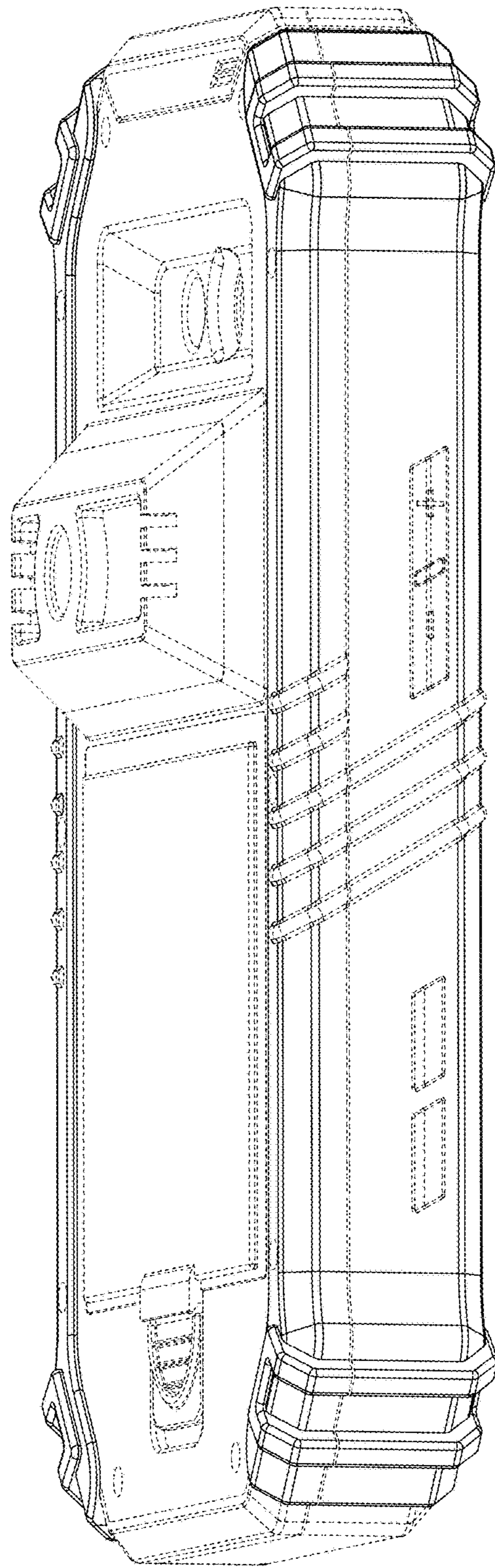
FIG. 1 is a front-right perspective view of a cell phone with infrared camera showing my new design;  
FIG. 2 is rear-left perspective view thereof;  
FIG. 3 a front elevation view thereof;  
FIG. 4 a rear elevation view thereof;  
FIG. 5 is a bottom plan view thereof;  
FIG. 6 is a top plan view thereof;  
FIG. 7 is a left side elevation view thereof; and,  
FIG. 8 is a right side elevation view thereof.  
The broken lines in the drawings illustrate portions of the cell phone with infrared camera that form no part of the claimed design.

**1 Claim, 8 Drawing Sheets**





**FIG. 1**



**FIG. 2**

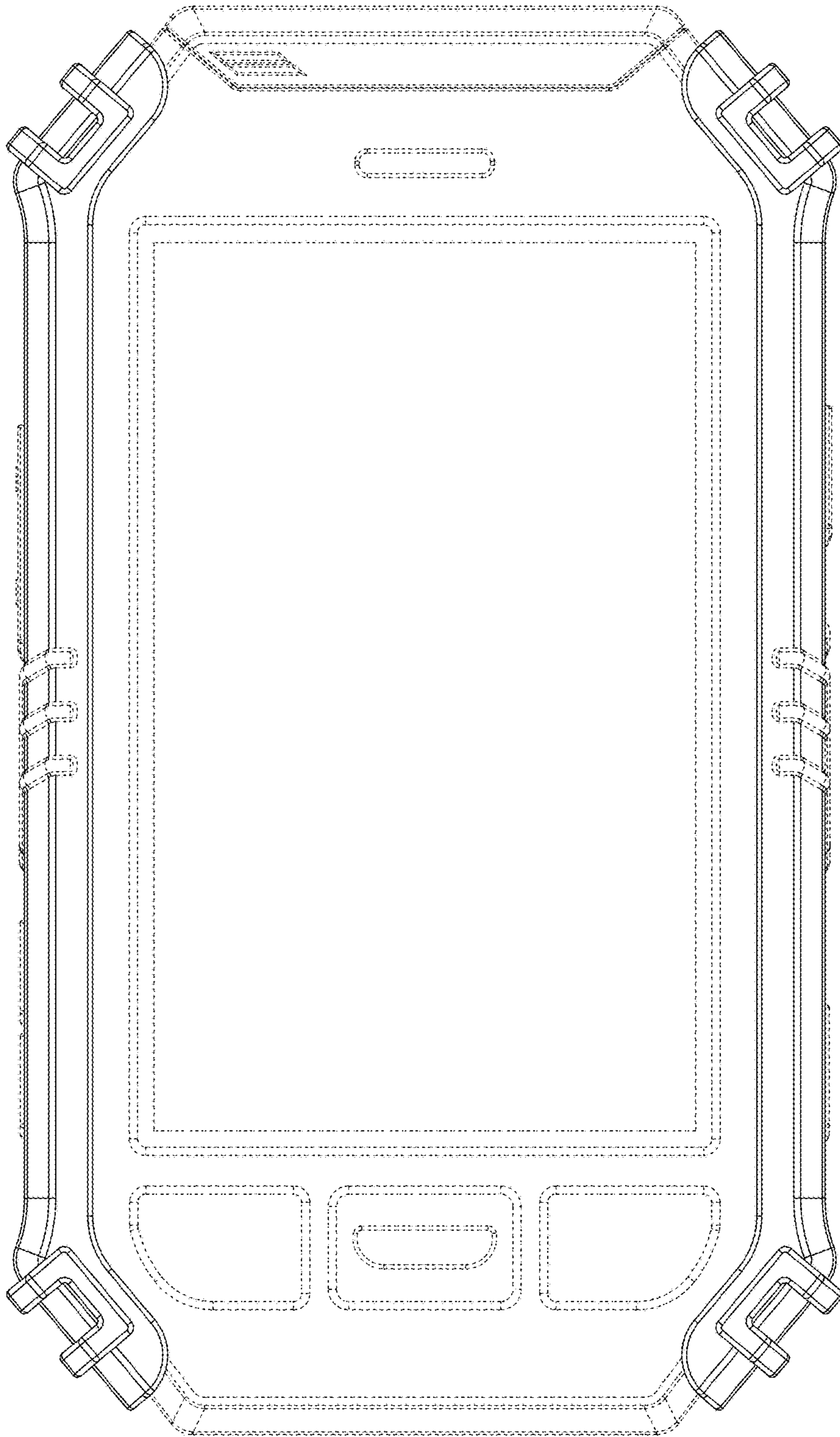


FIG. 3

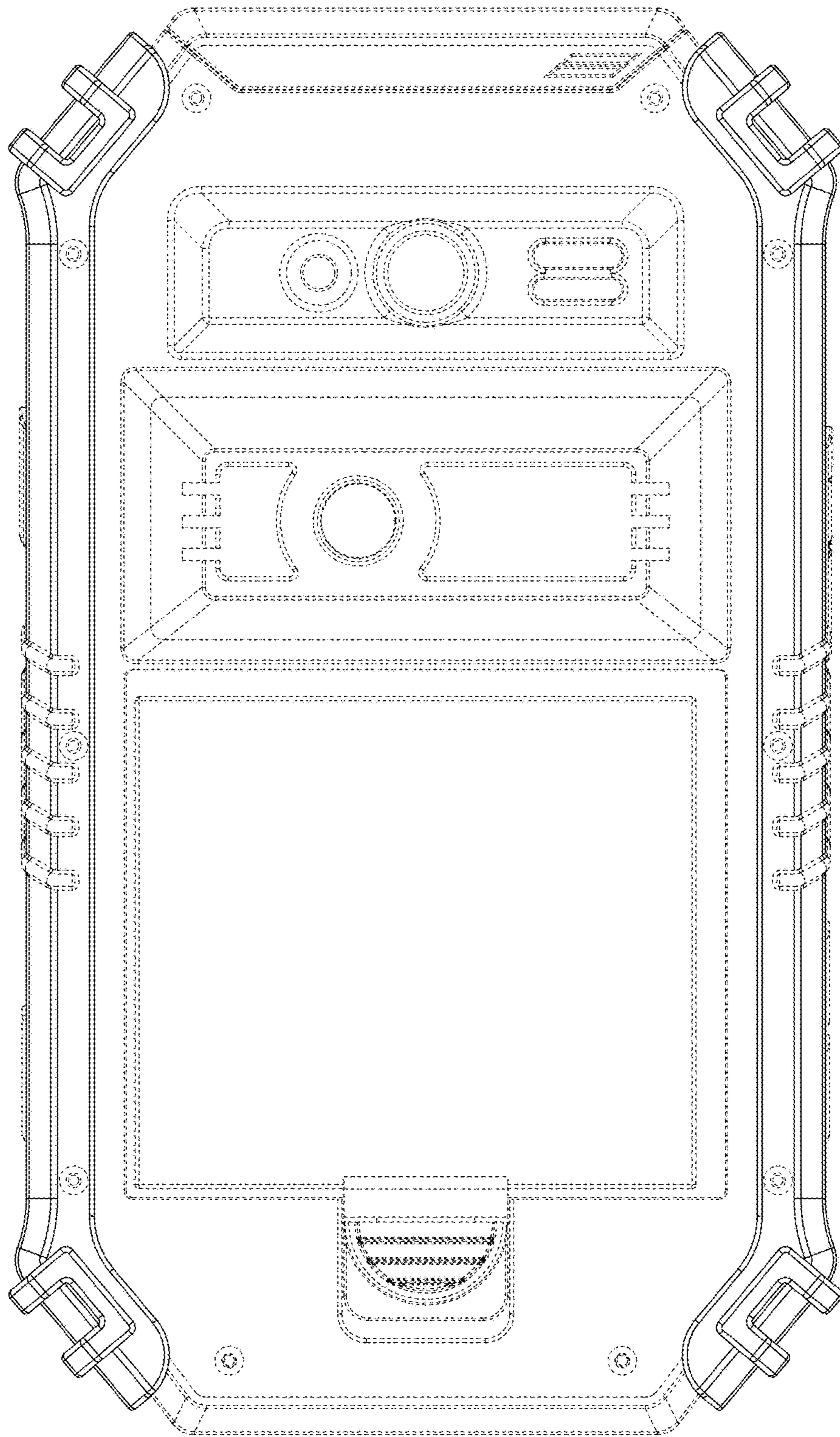
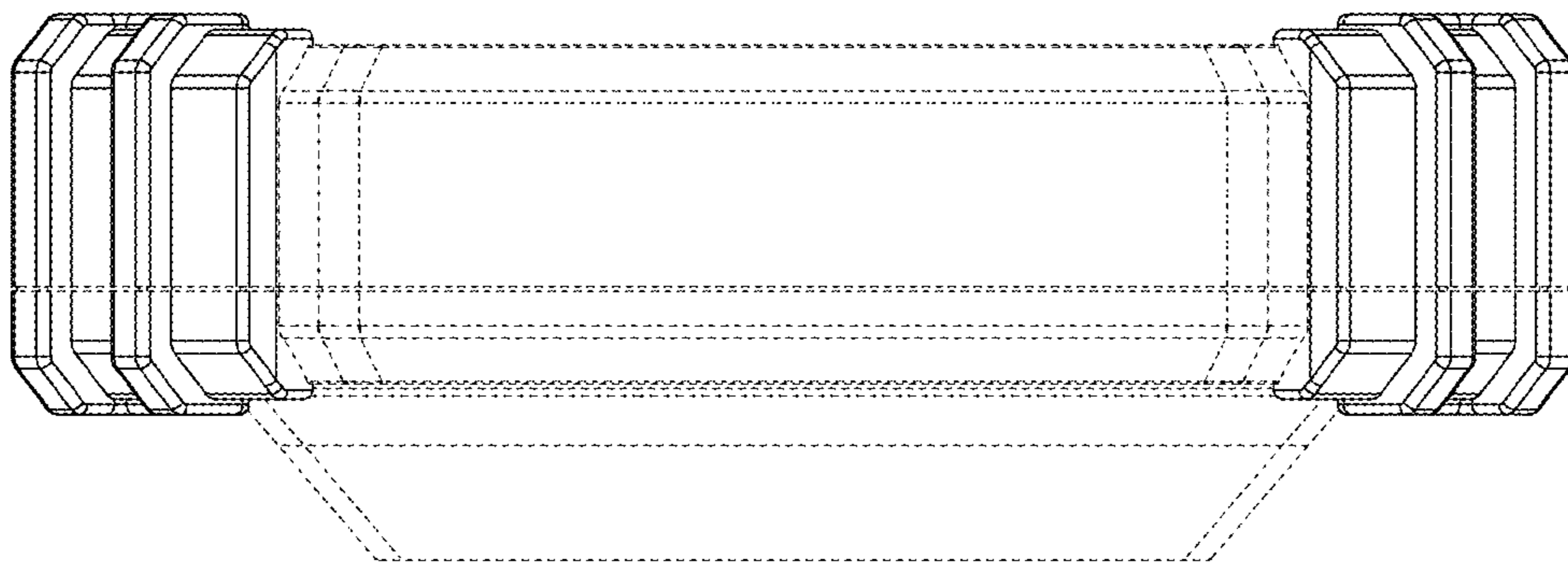
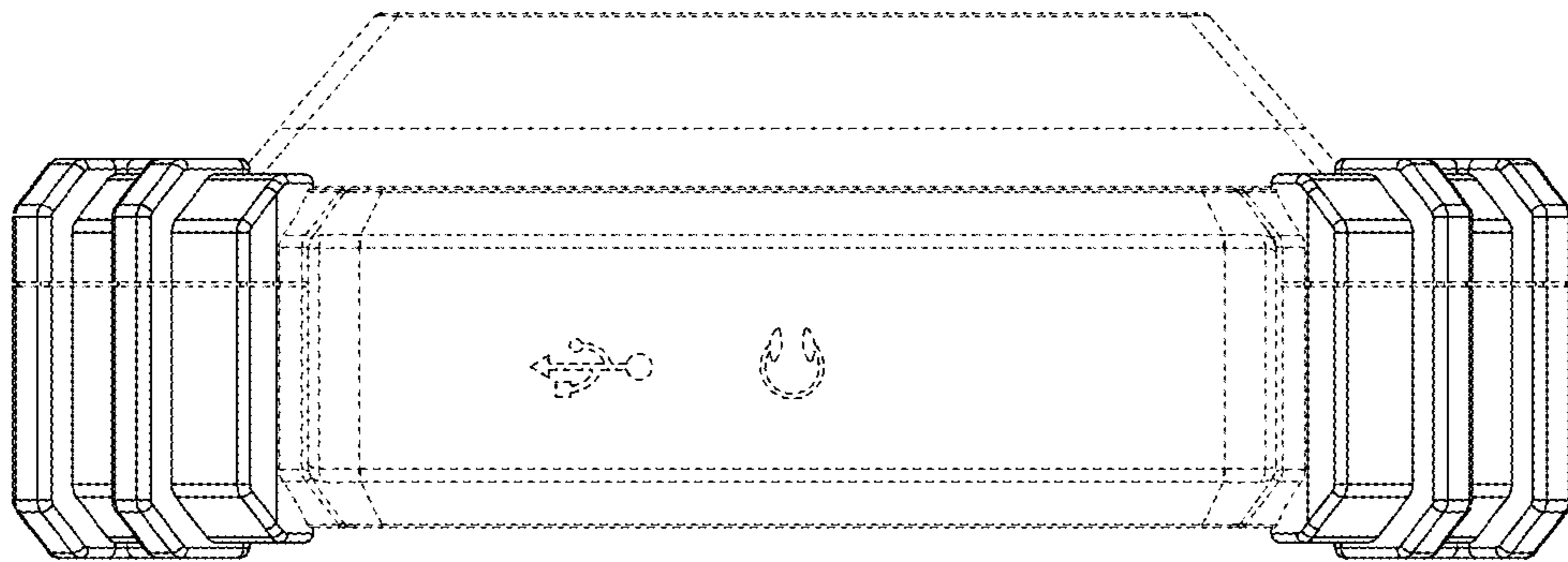


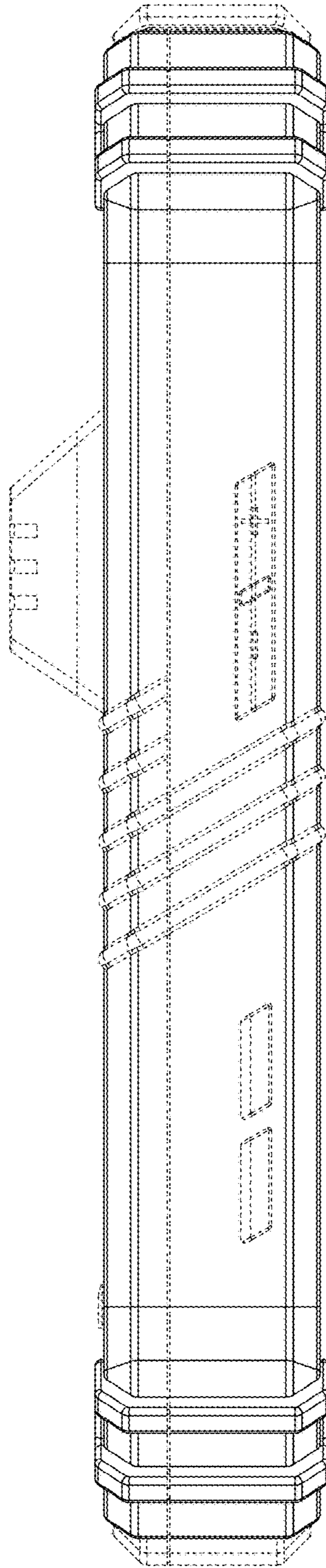
FIG. 4



**FIG. 5**

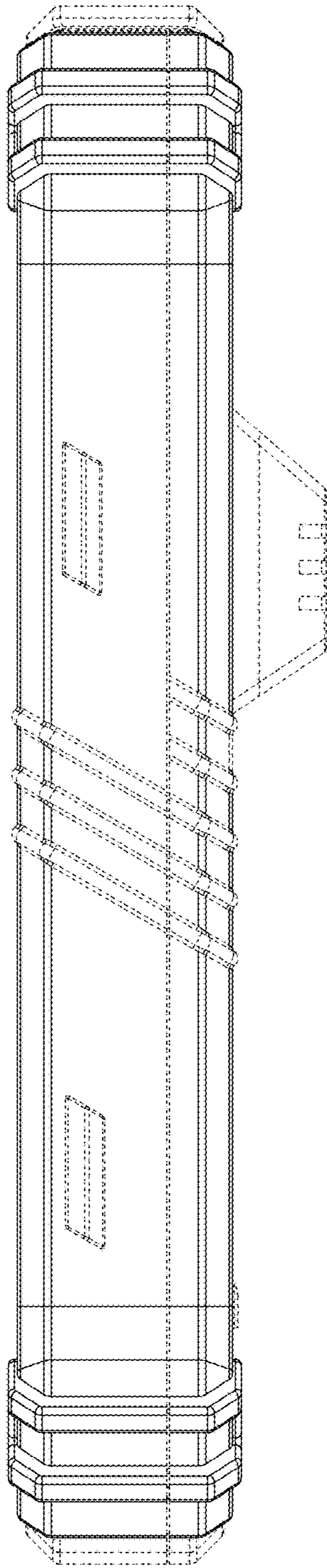


**FIG. 6**



**FIG. 7**





**FIG. 8**