



US00D783589S

(12) **United States Design Patent**  
**Tattari**

(10) **Patent No.:** **US D783,589 S**

(45) **Date of Patent:** **\*\* Apr. 11, 2017**

(54) **HANDSET COVER**

(71) Applicant: **Microsoft Mobile Oy**, Espoo (FI)

(72) Inventor: **Jouko Tattari**, Helsinki (FI)

(73) Assignee: **Microsoft Mobile Oy**, Espoo (FI)

(\*\*) Term: **15 Years**

(21) Appl. No.: **29/575,336**

(22) Filed: **Aug. 24, 2016**

|              |         |                  |         |
|--------------|---------|------------------|---------|
| D672,353 S   | 12/2012 | Liu              |         |
| D672,781 S * | 12/2012 | Lu               | D14/440 |
| D674,800 S * | 1/2013  | Kim              | D14/440 |
| D678,260 S   | 3/2013  | Bau              |         |
| D682,817 S   | 5/2013  | Murchison et al. |         |
| D688,251 S   | 8/2013  | Akana et al.     |         |

(Continued)

**FOREIGN PATENT DOCUMENTS**

|    |                |         |
|----|----------------|---------|
| EM | 002065029-0001 | 7/2012  |
| KR | 300663434.0000 | 10/2012 |

(Continued)

**OTHER PUBLICATIONS**

Office Action received in corresponding Russian Application No. 2014500065 issued Sep. 8, 2014. 5 pages.

(Continued)

*Primary Examiner* — Carla Jobe Wright

(74) *Attorney, Agent, or Firm* — Banner & Witcoff, Ltd.

**Related U.S. Application Data**

(63) Continuation of application No. 29/465,240, filed on Aug. 26, 2013, now Pat. No. Des. 765,626.

(51) **LOC (10) Cl.** ..... **14-03**

(52) **U.S. Cl.**

USPC ..... **D14/250**

(58) **Field of Classification Search**

USPC ..... D14/238.1, 440, 203.3–203.7, 217, 240,  
D14/447, 250, 251–253, 248, 496, 391;  
D3/201, 218, 247, 269, 273, 301, 303;  
D13/103, 107–108, 119

CPC H04B 1/3888; H04M 1/0283; H04M 1/0202;  
A45C 1/06; A45C 2011/002; A45C 11/00;  
A45C 13/02; A45F 2005/026; A45F  
2200/0525; A45F 2200/0516

See application file for complete search history.

(57)

**CLAIM**

The ornamental design for a handset cover, as shown and described.

**DESCRIPTION**

FIG. 1 is a front perspective view of a handset cover showing my new design;

FIG. 2 is a front view thereof;

FIG. 3 is a rear view thereof;

FIG. 4 is a left side view thereof;

FIG. 5 is a right side view thereof;

FIG. 6 is a top view thereof; and,

FIG. 7 is a bottom view thereof.

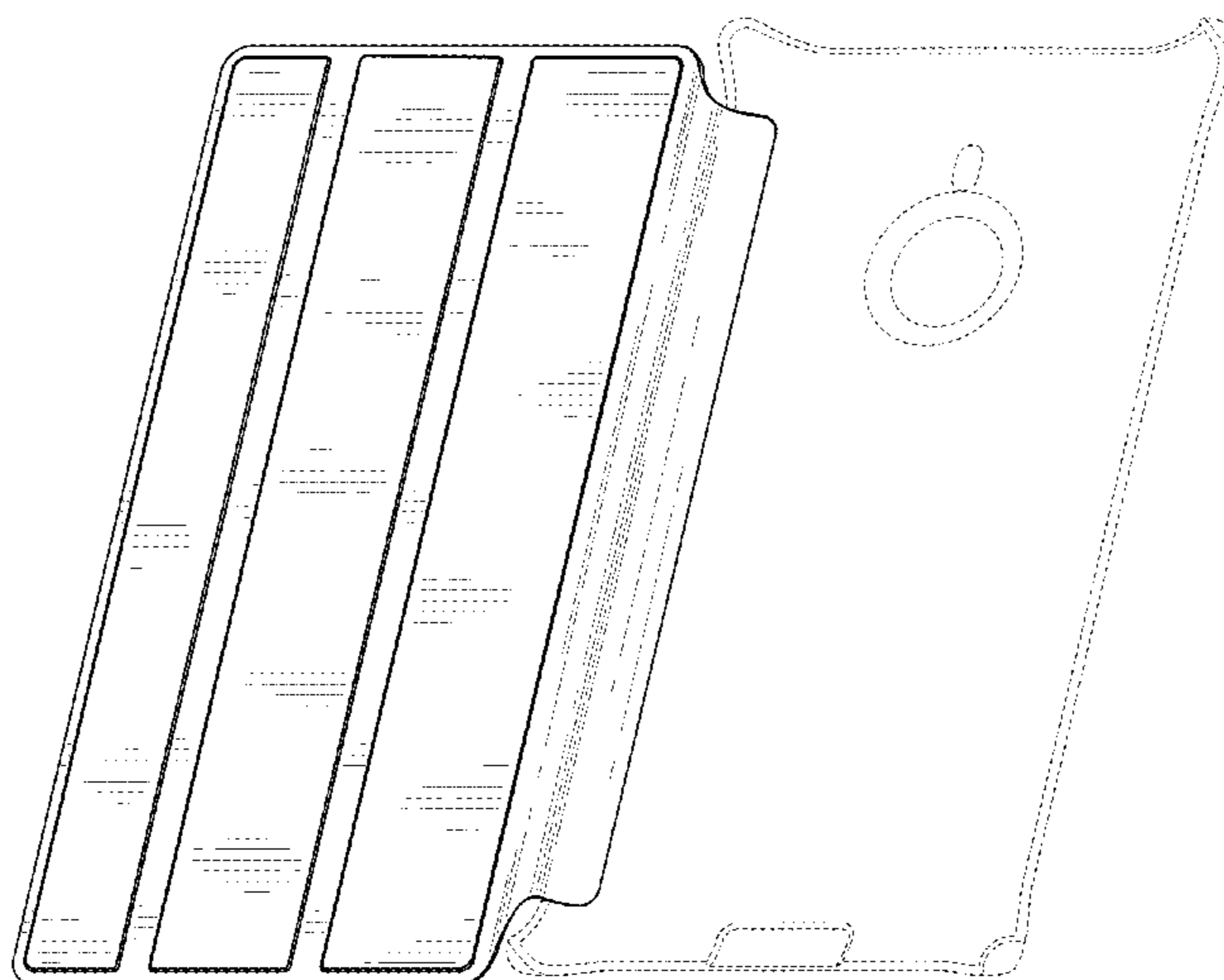
The broken line showing of the remainder of the handset cover represents unclaimed subject matter and forms no part of the claimed design.

**References Cited**

**U.S. PATENT DOCUMENTS**

|              |         |            |                        |
|--------------|---------|------------|------------------------|
| D620,931 S   | 8/2010  | Opman      |                        |
| D625,303 S   | 10/2010 | Kim        |                        |
| D637,814 S * | 5/2011  | Akana      | D3/303                 |
| D658,187 S * | 4/2012  | Diebel     | G06F 1/1628<br>D14/440 |
| D658,188 S   | 4/2012  | Diebel     |                        |
| D668,458 S   | 10/2012 | Lee et al. |                        |

**1 Claim, 5 Drawing Sheets**



(56)

References Cited

U.S. PATENT DOCUMENTS

D691,143 S \* 10/2013 Diebel ..... D14/440  
 D691,611 S 10/2013 Kirzinger  
 D696,256 S \* 12/2013 Piedra ..... D14/440  
 8,657,112 B2 \* 2/2014 Igarashi ..... H05K 5/03  
 206/320  
 D702,673 S 4/2014 Murchison et al.  
 D706,270 S 6/2014 Akana et al.  
 D708,839 S \* 7/2014 Lee ..... D14/440  
 D709,509 S 7/2014 Kim  
 8,807,333 B1 8/2014 Cooper et al.  
 D712,413 S 9/2014 Fukai  
 D713,848 S 9/2014 Akana et al.  
 D720,756 S 1/2015 Stavrakakis  
 D721,376 S 1/2015 Lee  
 D721,688 S 1/2015 Du  
 D724,090 S \* 3/2015 Kim ..... D14/440  
 D729,253 S 5/2015 Nyholm et al.  
 D734,760 S 7/2015 Brunner et al.  
 9,310,835 B2 \* 4/2016 Bryan ..... A45C 13/1069  
 D765,626 S \* 9/2016 Tattari ..... D14/250  
 D771,053 S \* 11/2016 Spollen ..... D14/440  
 2009/0194209 A1 \* 8/2009 De Filippis ..... A45C 11/00  
 150/107  
 2011/0240662 A1 10/2011 Han  
 2011/0290687 A1 12/2011 Han  
 2012/0308981 A1 \* 12/2012 Libin ..... G09B 3/00  
 434/362

2013/0020216 A1 \* 1/2013 Chiou ..... G06F 1/1626  
 206/320  
 2013/0093304 A1 4/2013 Childs et al.  
 2013/0140203 A1 \* 6/2013 Chiang ..... G06F 1/1628  
 206/320  
 2013/0233762 A1 \* 9/2013 Balaji ..... B65D 25/00  
 206/736  
 2013/0241381 A1 \* 9/2013 Hyncek ..... H05K 5/0217  
 312/240  
 2013/0264459 A1 \* 10/2013 McCosh ..... G06F 1/1626  
 248/688  
 2014/0202889 A1 7/2014 Kim et al.  
 2014/0246340 A1 9/2014 Jiang et al.  
 2015/0065208 A1 3/2015 Balaji et al.

FOREIGN PATENT DOCUMENTS

KR 3006670940000 11/2012  
 KR 3006780300000 1/2013

OTHER PUBLICATIONS

Office Action received in corresponding Russian Application No. 2014500064 issued on Sep. 8, 2014. 5 pages.  
 Office Action received in corresponding Russian Application No. 2014500062 issued on Sep. 8, 2014. 5 pages.

\* cited by examiner

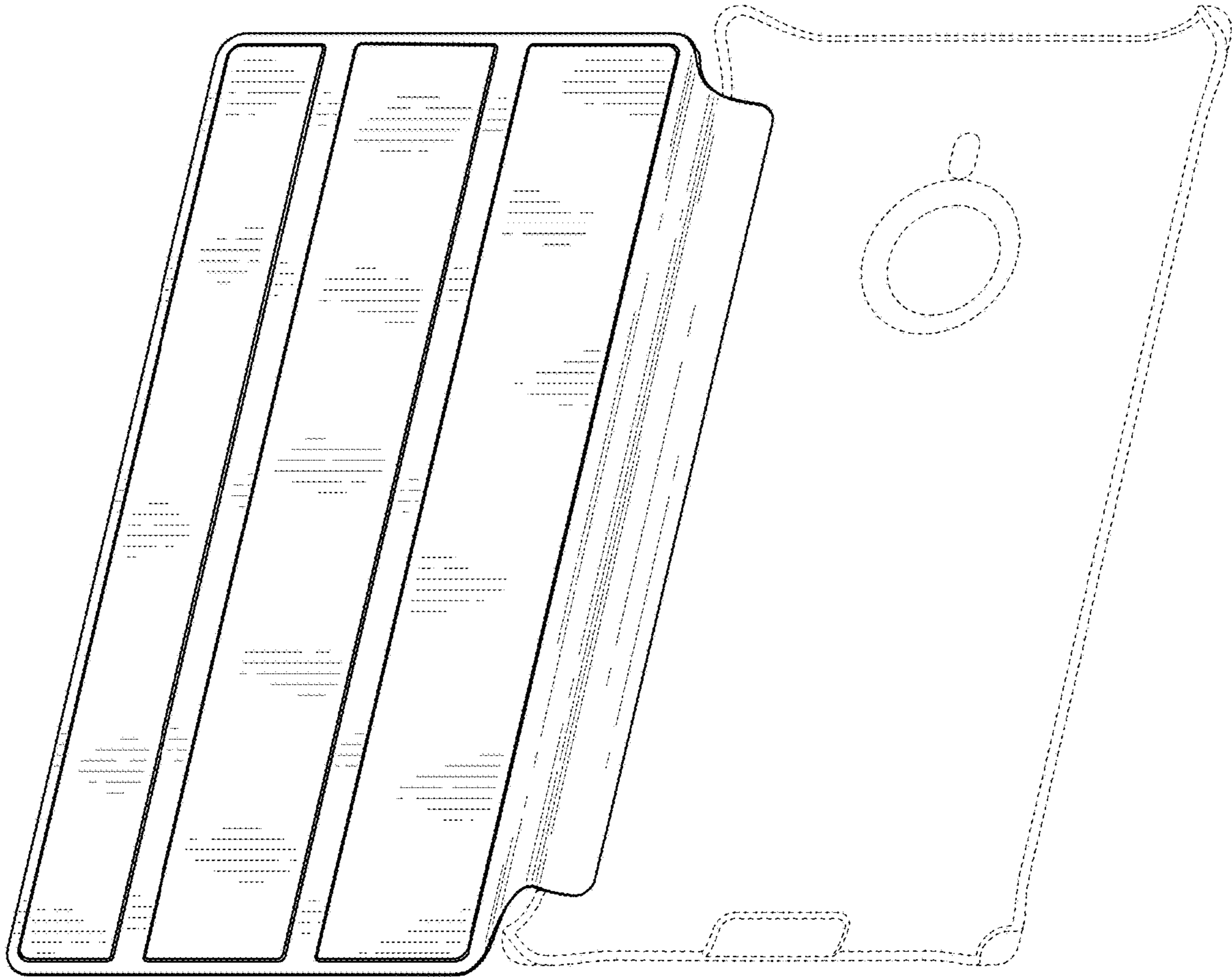


FIG. 1

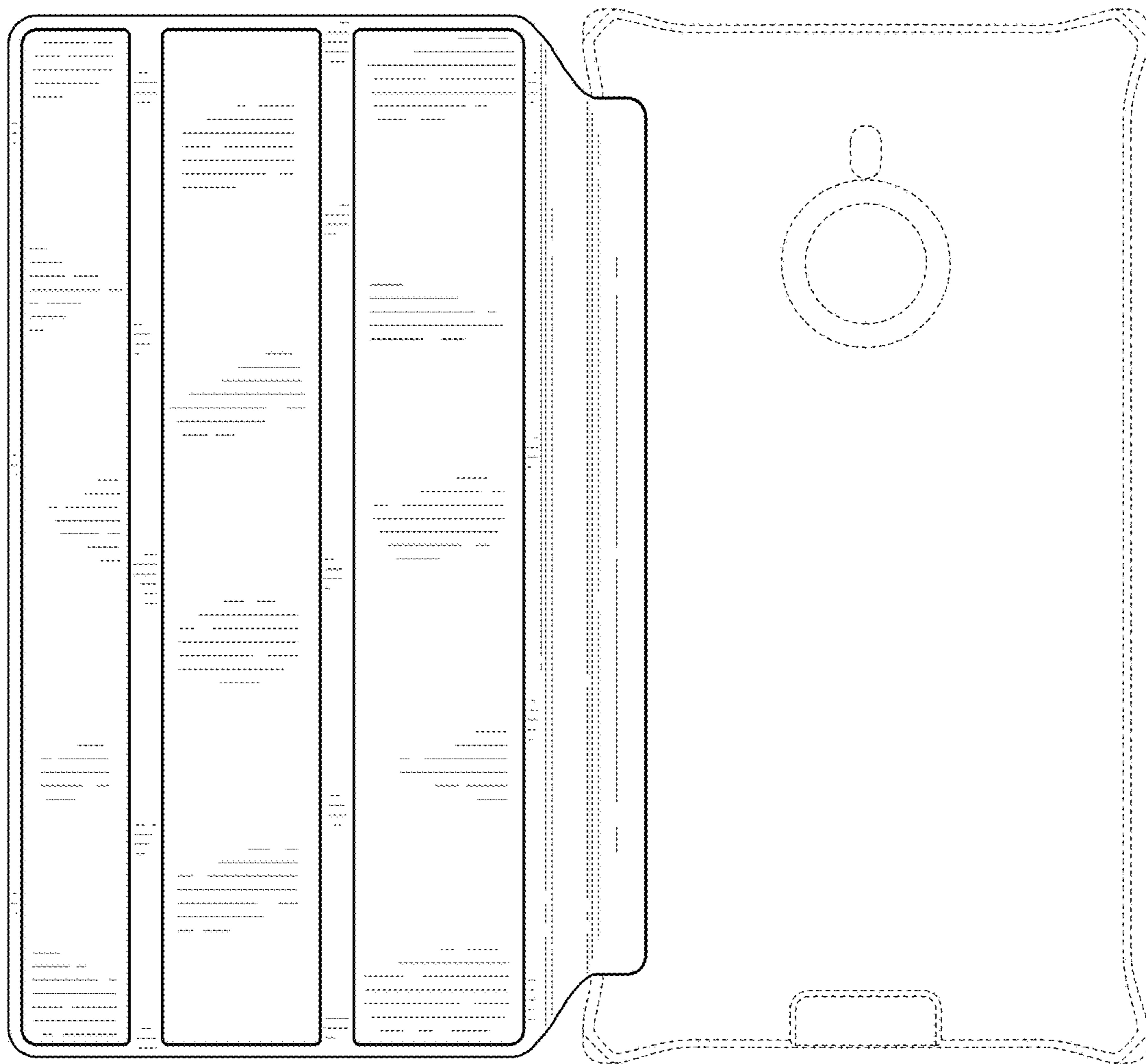


FIG. 2

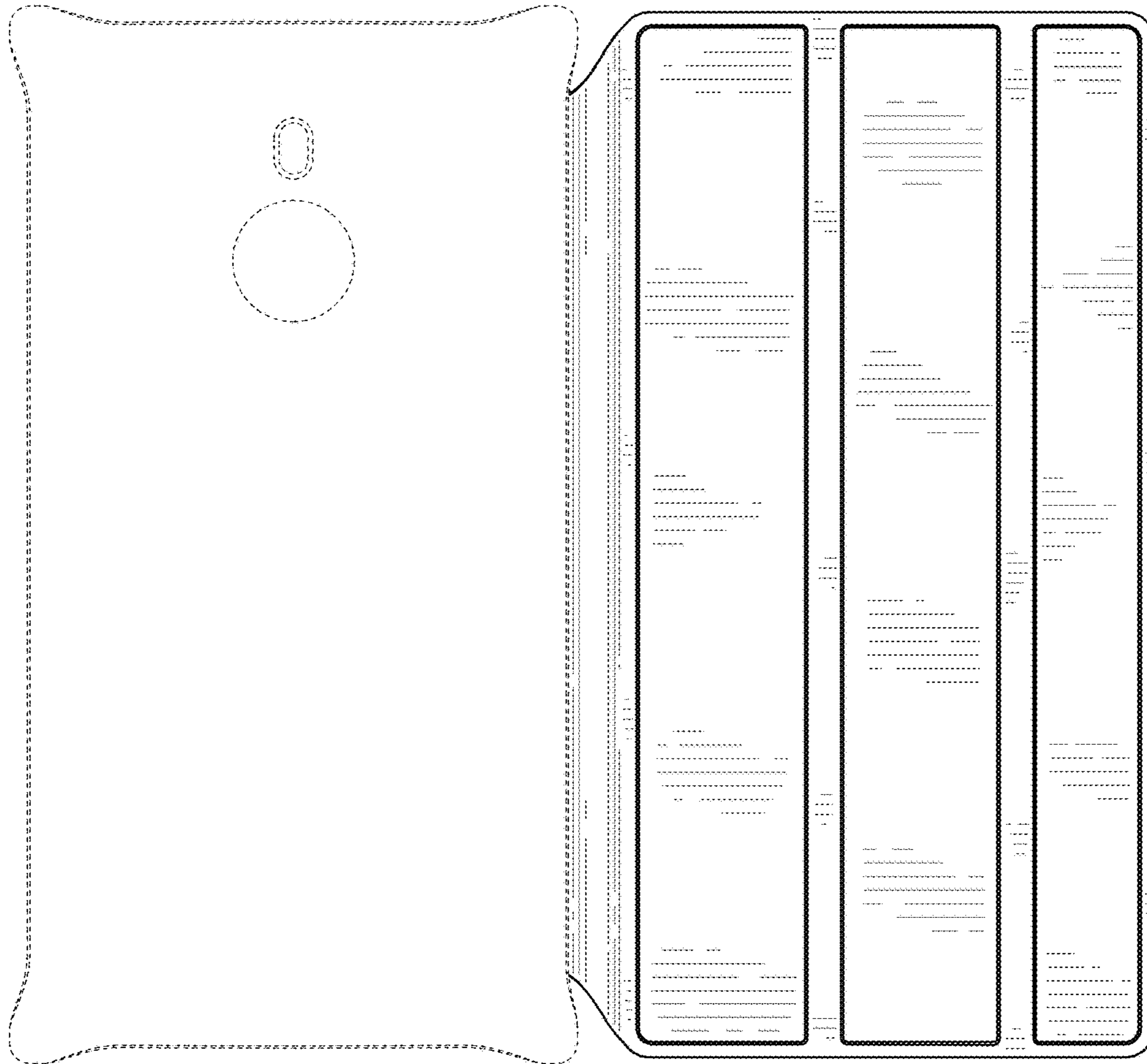


FIG. 3

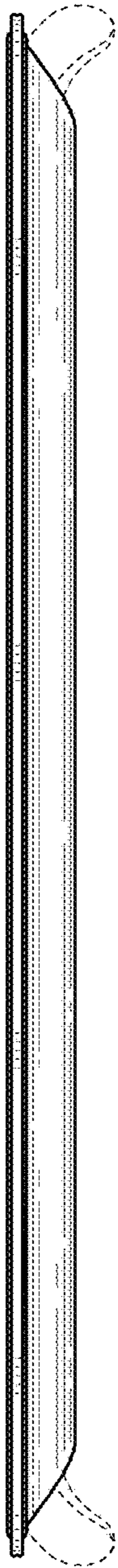


FIG. 4

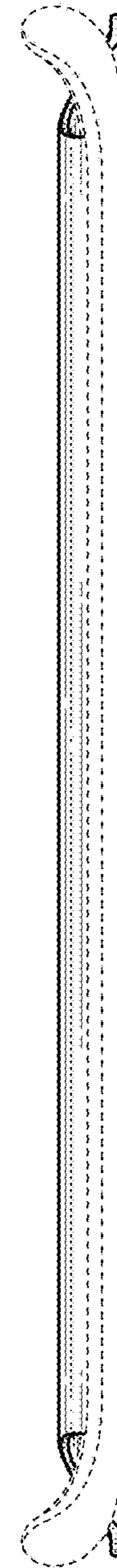


FIG. 5



FIG. 6



FIG. 7