



US00D783584S

(12) **United States Design Patent**
Kim et al.

(10) **Patent No.:** **US D783,584 S**

(45) **Date of Patent:** **** Apr. 11, 2017**

(54) **ELECTRONIC DEVICE**

(71) Applicant: **Samsung Electronics Co., Ltd.**,
Suwon-si (KR)

(72) Inventors: **Nam-Su Kim**, Seoul (KR); **Do-Hyung Ha**, Gwangmyeong-si (KR); **Sae-Hee Lee**, Incheon (KR); **Hyun-Sook Kim**, Seoul (KR)

(73) Assignee: **Samsung Electronics Co., Ltd.**,
Suwon-si (KR)

(**) Term: **14 Years**

(21) Appl. No.: **29/506,357**

(22) Filed: **Oct. 15, 2014**

Related U.S. Application Data

(63) Continuation-in-part of application No. 29/504,020,
filed on Oct. 1, 2014.

(51) **LOC (10) Cl.** **14-03**

(52) **U.S. Cl.**
USPC **D14/248**

(58) **Field of Classification Search**

USPC D14/138 G, 138 AD, 138 R, 496, 203.1,
D14/203.3, 203.5, 203.7, 248, 218, 439,
D14/250, 341-347, 138 AA, 315, 336,
D14/338-340; D21/517, 329; D13/168;
455/575.1, 556.2, 575.3, 575.4, 566;
379/433.01, 433.04; 361/679.3, 679.56;
D6/300-303, 308-314; D9/414-433
CPC .. G06F 1/1626; G06F 1/1652; H04M 1/0266;
H04M 1/0268; H04M 1/02; H04M
2250/22; H04M 1/72527; H04M 1/23;
H04M 1/0202-1/035; G09F 9/301; H01L
2251/5338

See application file for complete search history.

(56) **References Cited**

U.S. PATENT DOCUMENTS

D382,735 S *	8/1997	Zapf	D6/703.1
D645,465 S *	9/2011	Lin	D14/341
D700,179 S *	2/2014	Hong	D14/341
D700,180 S *	2/2014	Hong	D14/341
D700,605 S *	3/2014	Hong	D14/341
D703,203 S *	4/2014	Hong	D14/341
D706,237 S *	6/2014	Kim	D14/138 G

(Continued)

OTHER PUBLICATIONS

Samsung Galaxy Round (via Phones Data), available 2013,
[online], [site visited Sep. 16, 2016]. Available from internet, <URL
<http://phonesdata.com/en/smartphones/samsung/galaxy-round-g910s-1280/>.*

Primary Examiner — Cathron Brooks

Assistant Examiner — Teddy Falloway

(74) *Attorney, Agent, or Firm* — NSIP Law

(57) **CLAIM**

We claim the ornamental design for an electronic device, as shown and described.

DESCRIPTION

FIG. 1 is a front perspective view of an electronic device, showing our new design;

FIG. 2 is a front view thereof;

FIG. 3 is a rear view thereof;

FIG. 4 is a left-side view thereof;

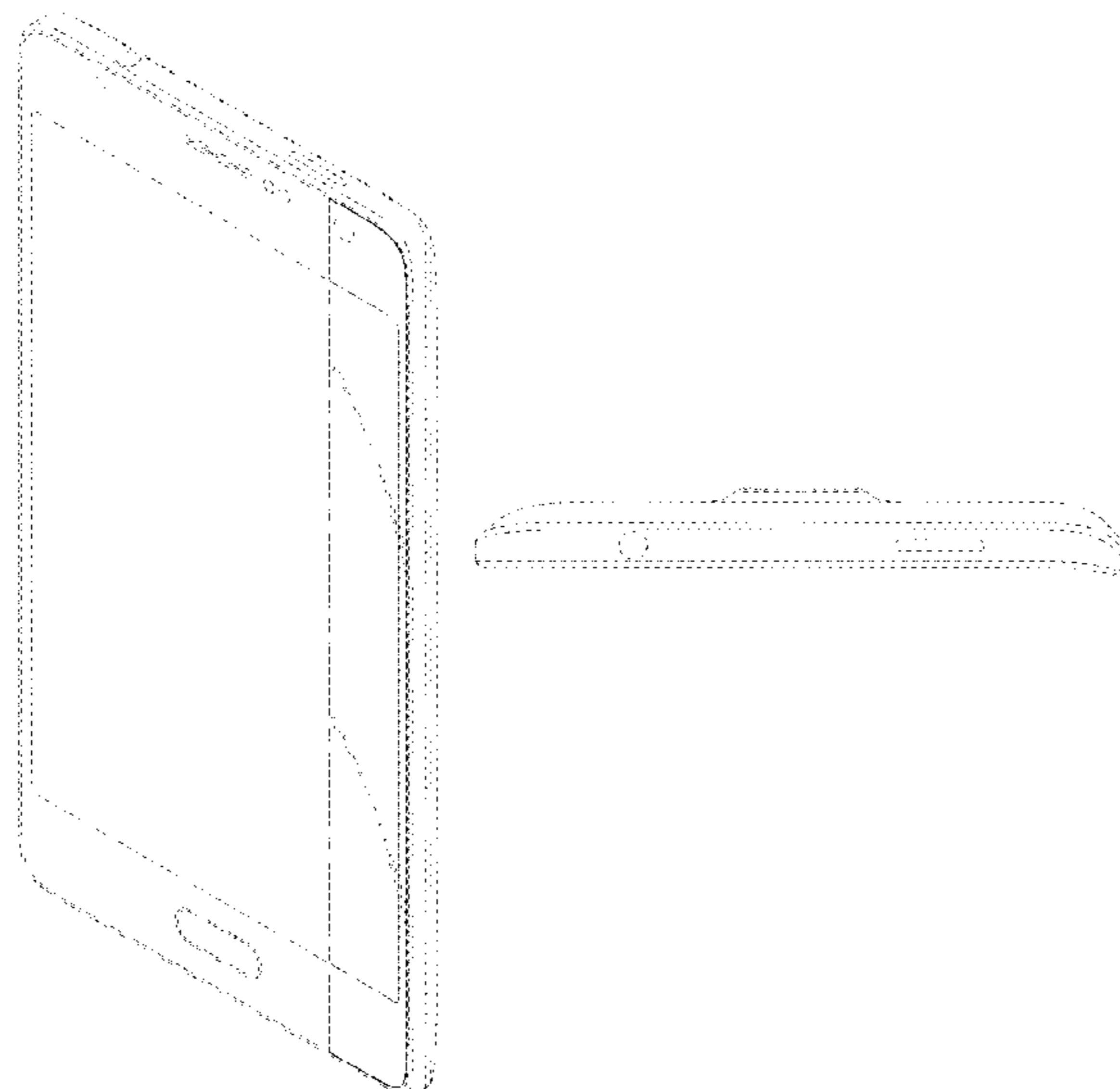
FIG. 5 is a right-side view thereof;

FIG. 6 is a top view thereof; and,

FIG. 7 is a bottom view thereof.

The broken lines in the figures show portions of the electronic device which form no part of the claimed design. The dot-dash broken lines in the figures represent an unclaimed boundary line and form no part of the claimed design.

1 Claim, 5 Drawing Sheets



(56)

References Cited

U.S. PATENT DOCUMENTS

D707,646 S * 6/2014 Kim D14/138 G
D736,752 S * 8/2015 Lee D14/248
D765,068 S * 8/2016 Min D14/248
2015/0098174 A1* 4/2015 Song G06F 1/1635
361/679.21
2015/0212552 A1* 7/2015 Shin G06F 1/1656
361/679.26
2016/0062506 A1* 3/2016 Namkung G06F 3/044
345/174
2016/0066412 A1* 3/2016 Choi G06F 1/1626
361/704
2016/0066440 A1* 3/2016 Choi G06F 1/1637
361/679.3
2016/0209886 A1* 7/2016 Suh G06F 3/0346

* cited by examiner

FIG.1

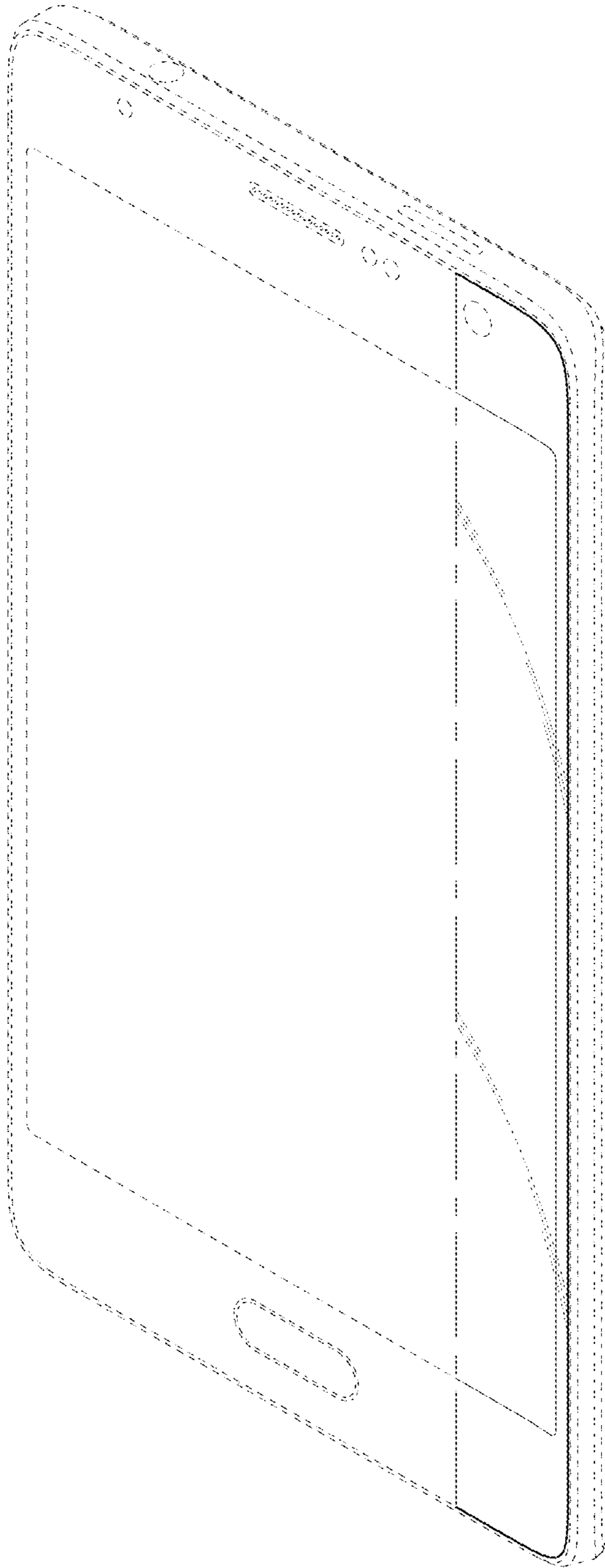


FIG.2

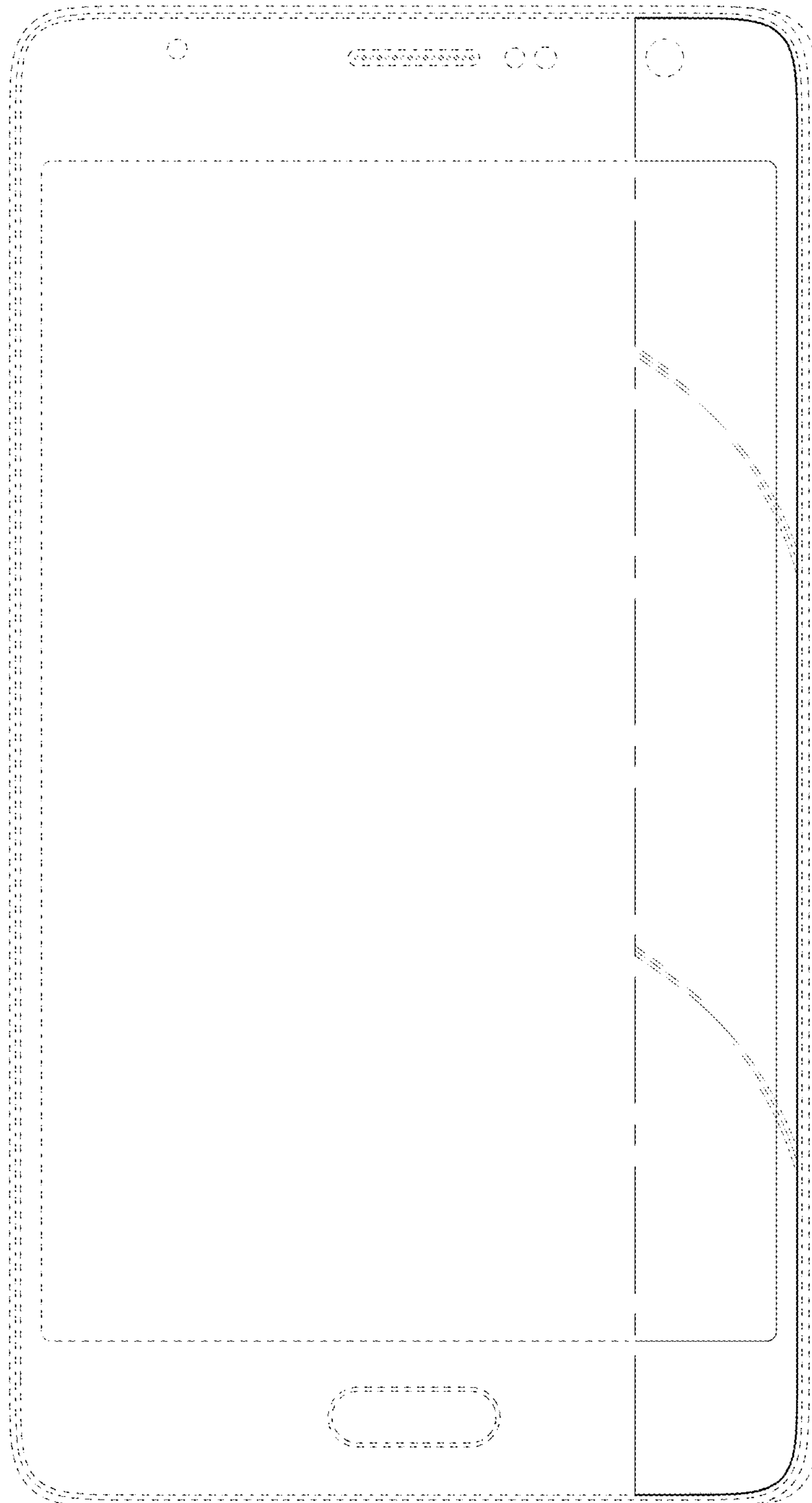


FIG.3



FIG.4

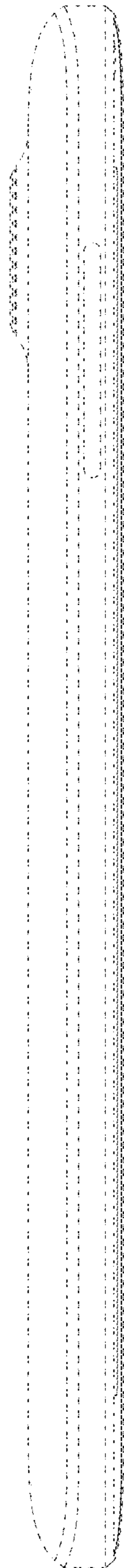


FIG.5

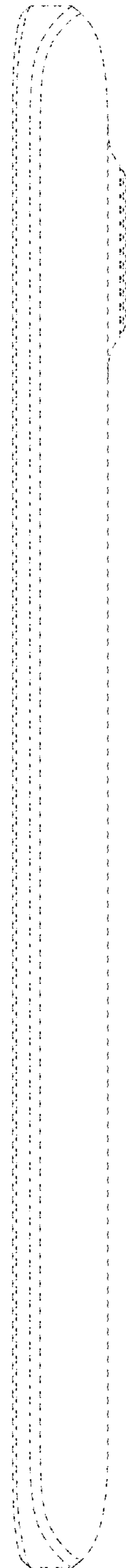


FIG.6

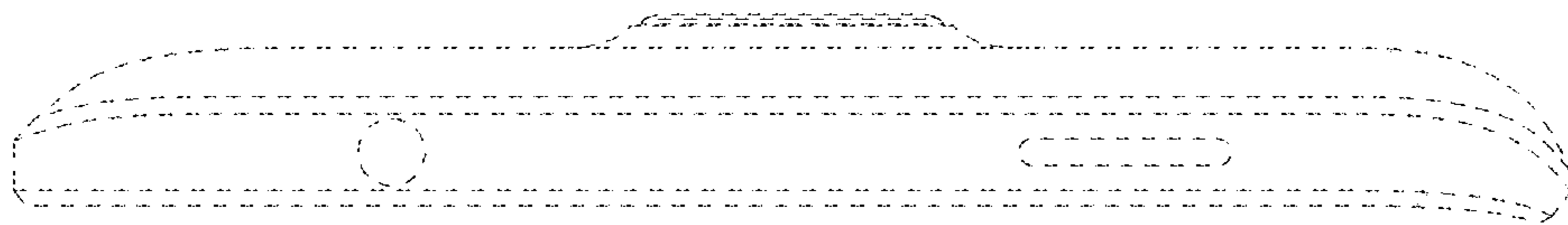


FIG.7

