



US00D783579S

(12) **United States Design Patent**
MacManus

(10) **Patent No.:** **US D783,579 S**

(45) **Date of Patent:** **** Apr. 11, 2017**

(54) **DIRECTIONAL MICRO BASE STATION**

D327,887 S * 7/1992 Pushelberg D14/140.2
D346,172 S * 4/1994 Fields D14/137
D364,618 S * 11/1995 Somoza D14/142

(71) Applicant: **Gerard MacManus**, Tewksbury, MA
(US)

(Continued)

(72) Inventor: **Gerard MacManus**, Tewksbury, MA
(US)

OTHER PUBLICATIONS

(73) Assignee: **AltioStar Networks, Inc.**, Tewksbury,
MA (US)

A8n—Super WiFi Base Station for Macro Coverage. altaitechnologies.com. [online image] Jul. 2013 [retrieved on Jun. 21, 2016] http://www.altiatechnologies.com/?avada_portfolio=a8n-super-wifi-base-station-for-macro-coverage-2&portfolioID=368 Image URL: <http://www.altiatechnologies.com/wp-content/upload/2013/07/A8n.jpg>.*

(**) Term: **15 Years**

Primary Examiner — Susan Bennett Hattan

(21) Appl. No.: **29/535,389**

Assistant Examiner — Marie Fast Horse

(22) Filed: **Aug. 6, 2015**

(74) *Attorney, Agent, or Firm* — Mintz Levin Cohn Ferris Glovsky and Popeo, P.C.

(51) **LOC (10) Cl.** **14-03**

(52) **U.S. Cl.**

(57) **CLAIM**

USPC **D14/240**; D14/358

The ornamental design for a directional micro base station, as shown and described.

(58) **Field of Classification Search**

DESCRIPTION

USPC D14/356–358, 496, 137, 140, 155, 225,
D14/226, 230, 240, 242, 243, 299, 300;
D13/107, 108, 168, 171, 173, 174, 184,
D13/199; D10/46, 104.1, 106.1, 106.2,
D10/106.3, 106.6, 106.9

FIG. 1 is a perspective view of a directional micro base station;

CPC . H04W 84/04; H04W 84/045; H04W 84/047;
H04W 84/06; H04W 84/08; H04W 88/00;
H04W 88/005; H04W 88/08; H04W
88/10; H04W 88/12; H04W 88/085

FIG. 2 is another perspective view of the directional micro base station

See application file for complete search history.

FIG. 3 is a front view of the directional micro base station;

(56) **References Cited**

U.S. PATENT DOCUMENTS

D281,315 S * 11/1985 Kjeld D13/179
D292,914 S * 11/1987 Moeller D13/123
D314,770 S * 2/1991 Desbarats D14/140.2
5,029,958 A * 7/1991 Hodge G02B 6/4201
385/100

FIG. 4 is a back view of the directional micro base station;

FIG. 5 is a side view of the directional micro base station;

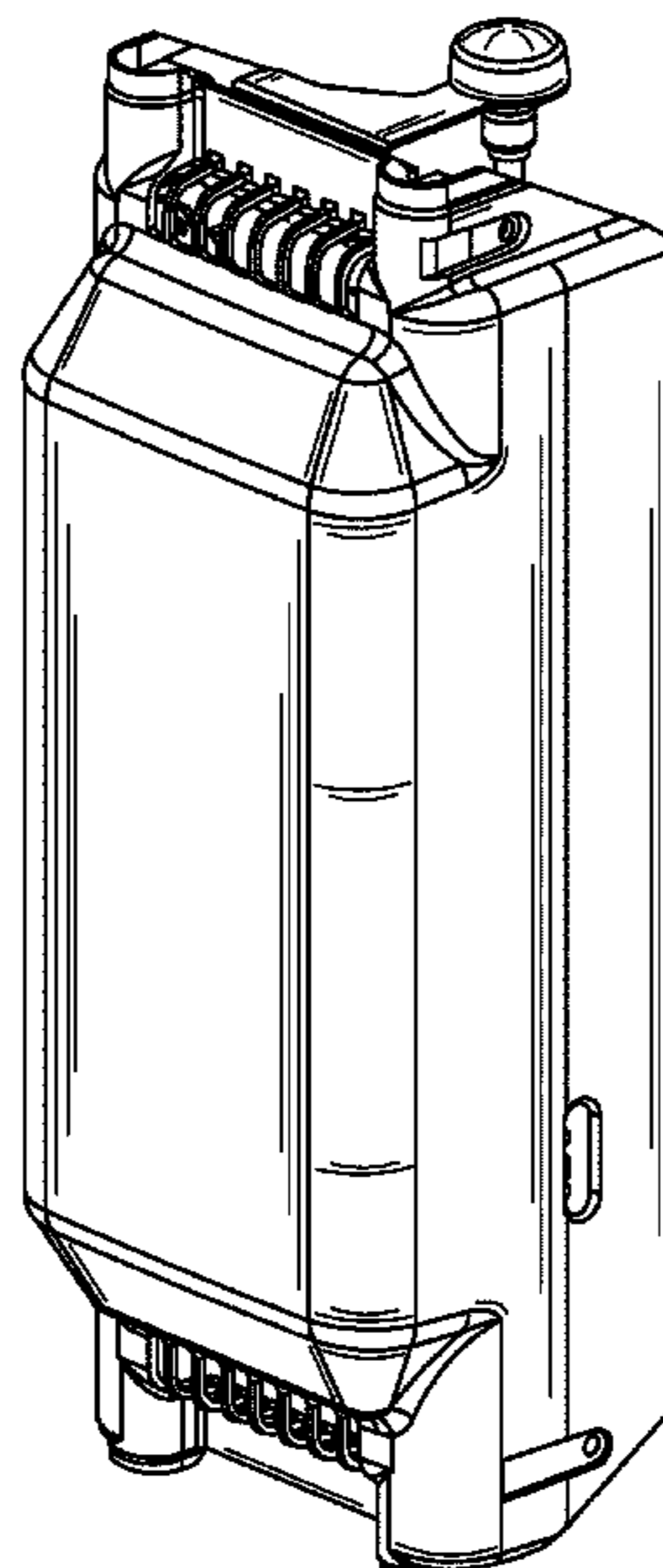
FIG. 6 is another side view of the directional micro base station;

FIG. 7 is a top view of the directional micro base station; and,

FIG. 8 is bottom view of the directional micro base station.

The broken lines shown in the drawings illustrate portions of the directional micro base station that form no part of the claimed design.

1 Claim, 7 Drawing Sheets



(56)

References Cited

U.S. PATENT DOCUMENTS

5,521,793 A * 5/1996 Dagleish H04B 1/38
 220/315
 D377,652 S * 1/1997 Sarkiniemi D13/184
 D393,644 S * 4/1998 Cho D14/240
 5,761,612 A * 6/1998 Read H04B 1/088
 455/351
 D396,724 S * 8/1998 Herbst D14/230
 D409,199 S * 5/1999 Taguchi D14/217
 5,907,127 A * 5/1999 Daoud H02G 3/14
 174/57
 D414,774 S * 10/1999 Gauffin D13/184
 D415,769 S * 10/1999 Waldner D13/152
 D416,873 S * 11/1999 Korsunsky D14/140.5
 5,983,076 A * 11/1999 Takasan H01Q 1/3225
 455/41.1
 D427,180 S * 6/2000 Humes D14/230
 D427,182 S * 6/2000 Andrew D14/230
 D429,238 S * 8/2000 Kolinen D14/240
 D430,147 S * 8/2000 Willkens D14/137
 D433,390 S * 11/2000 Gauffin D13/179
 D437,311 S * 2/2001 Nam D14/227
 D438,532 S * 3/2001 Gargani D14/240
 D449,590 S * 10/2001 Lewis D14/188
 D458,228 S * 6/2002 Jacobson D13/152
 6,470,193 B1 * 10/2002 Stolt H01P 1/2131
 375/299
 D473,221 S * 4/2003 Gargani D14/240

D484,496 S * 12/2003 Watanabe D14/240
 D489,070 S * 4/2004 Chatterjee D14/240
 D489,369 S * 5/2004 Sasaki D14/358
 D490,805 S * 6/2004 Lee D14/312
 D499,074 S * 11/2004 Cook D13/179
 D530,709 S * 10/2006 Bang D14/240
 D567,808 S * 4/2008 Kanne D14/240
 D568,841 S * 5/2008 Fischer D13/184
 D587,708 S * 3/2009 Yoshida D14/358
 D621,812 S * 8/2010 Wayman D14/140.5
 D651,200 S * 12/2011 Sugime D14/140.6
 D655,280 S * 3/2012 MacManus D14/140.1
 D663,293 S * 7/2012 MacManus D14/140.1
 D717,284 S * 11/2014 Kurosawa D14/240
 D730,333 S * 5/2015 Matsumoto D14/240
 D738,360 S * 9/2015 Papson D14/240
 D738,869 S * 9/2015 Groener D14/240
 9,142,873 B1 * 9/2015 Bharghavan H01Q 1/084
 D742,864 S * 11/2015 Kurosawa D14/240
 D749,065 S * 2/2016 Zetsu D14/242
 D759,639 S * 6/2016 Moon D14/242
 2011/0056067 A1 * 3/2011 Bonnassieux H04W 84/22
 29/592.1
 2014/0043767 A1 * 2/2014 Lv H05K 7/026
 361/704
 2015/0018044 A1 * 1/2015 Sekine H04W 88/085
 455/561
 2015/0214624 A1 * 7/2015 Kwon H01Q 1/243
 455/562.1

* cited by examiner

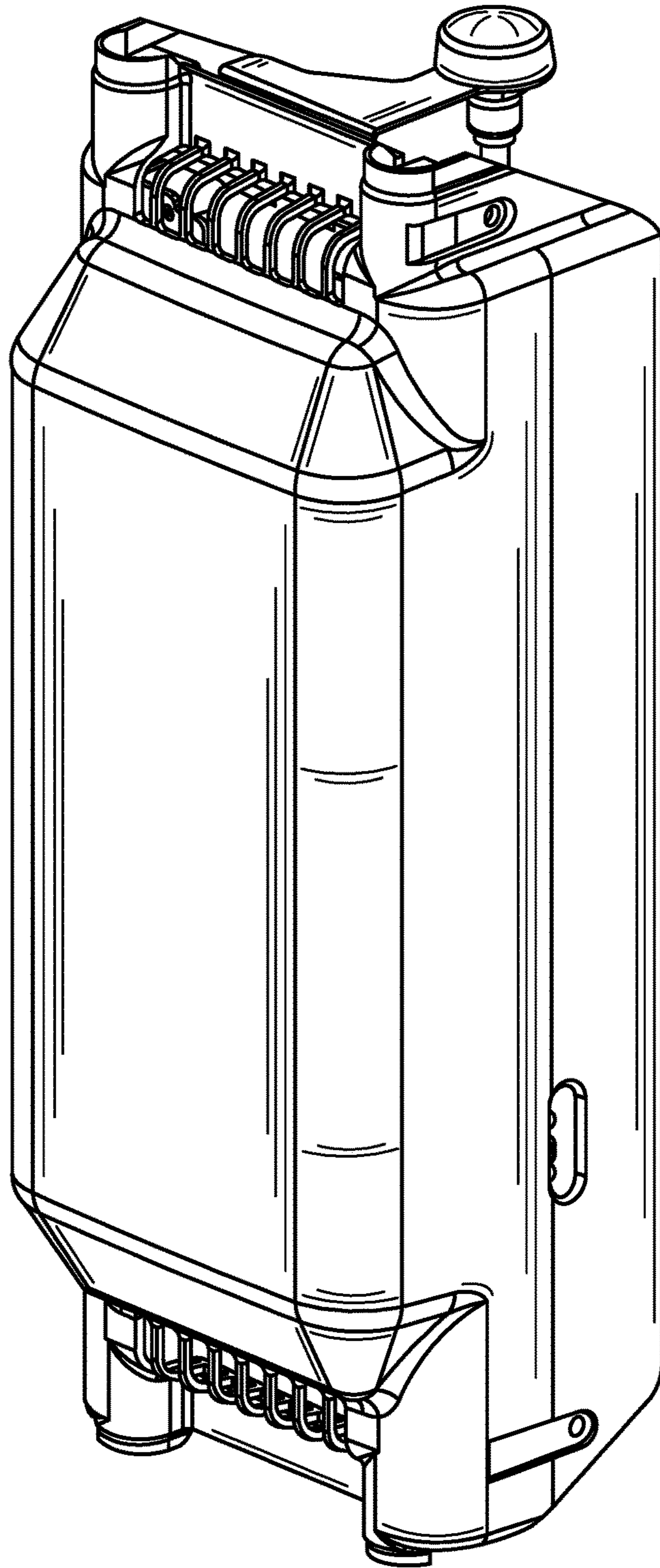


FIG. 1

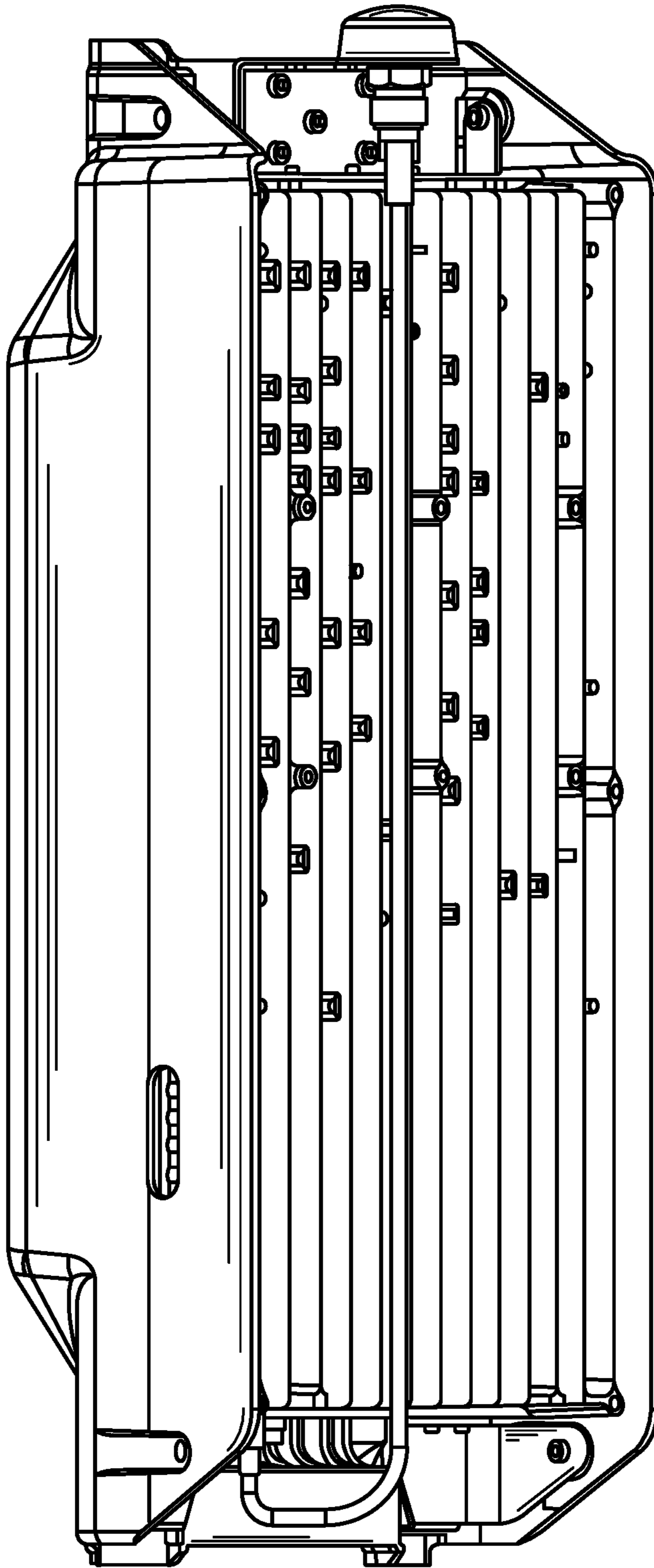


FIG. 2

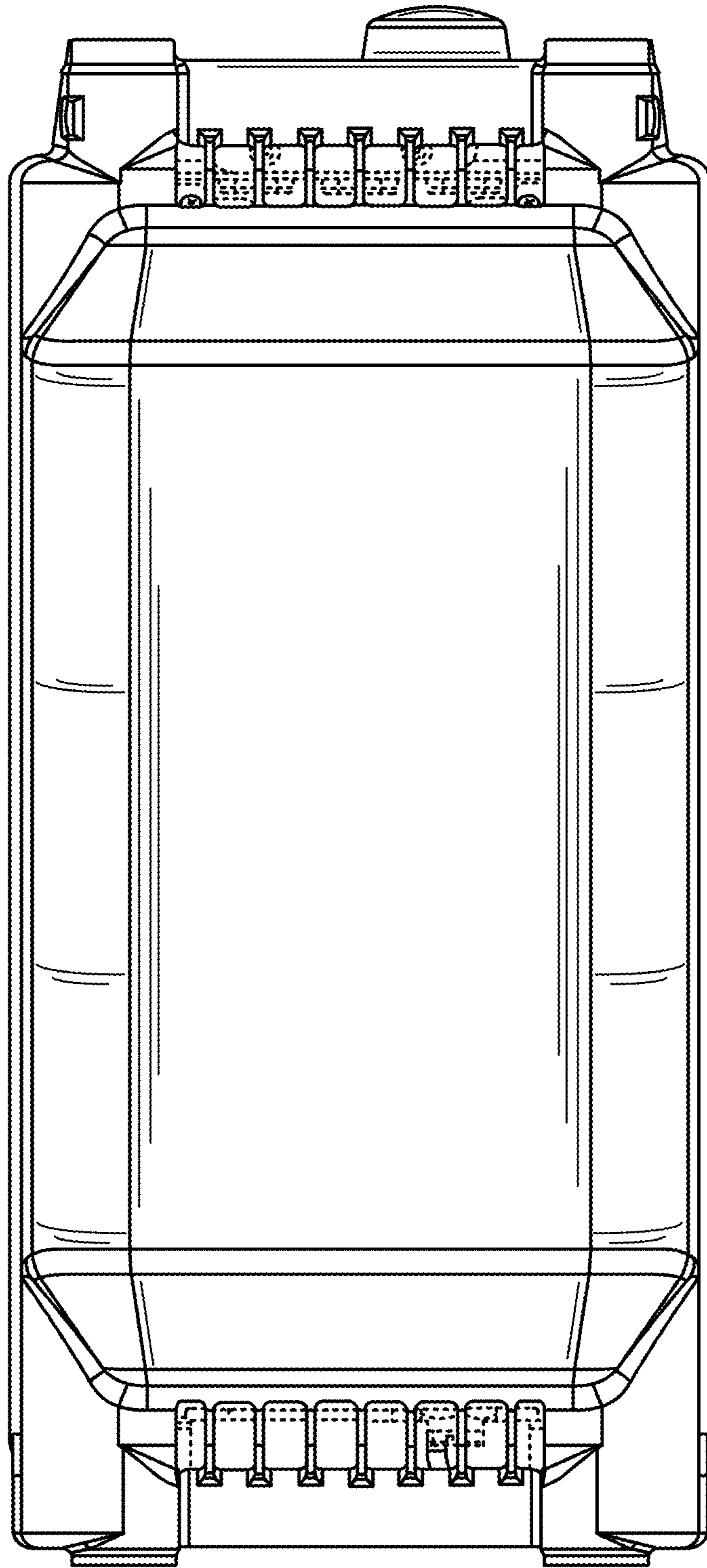


FIG. 3

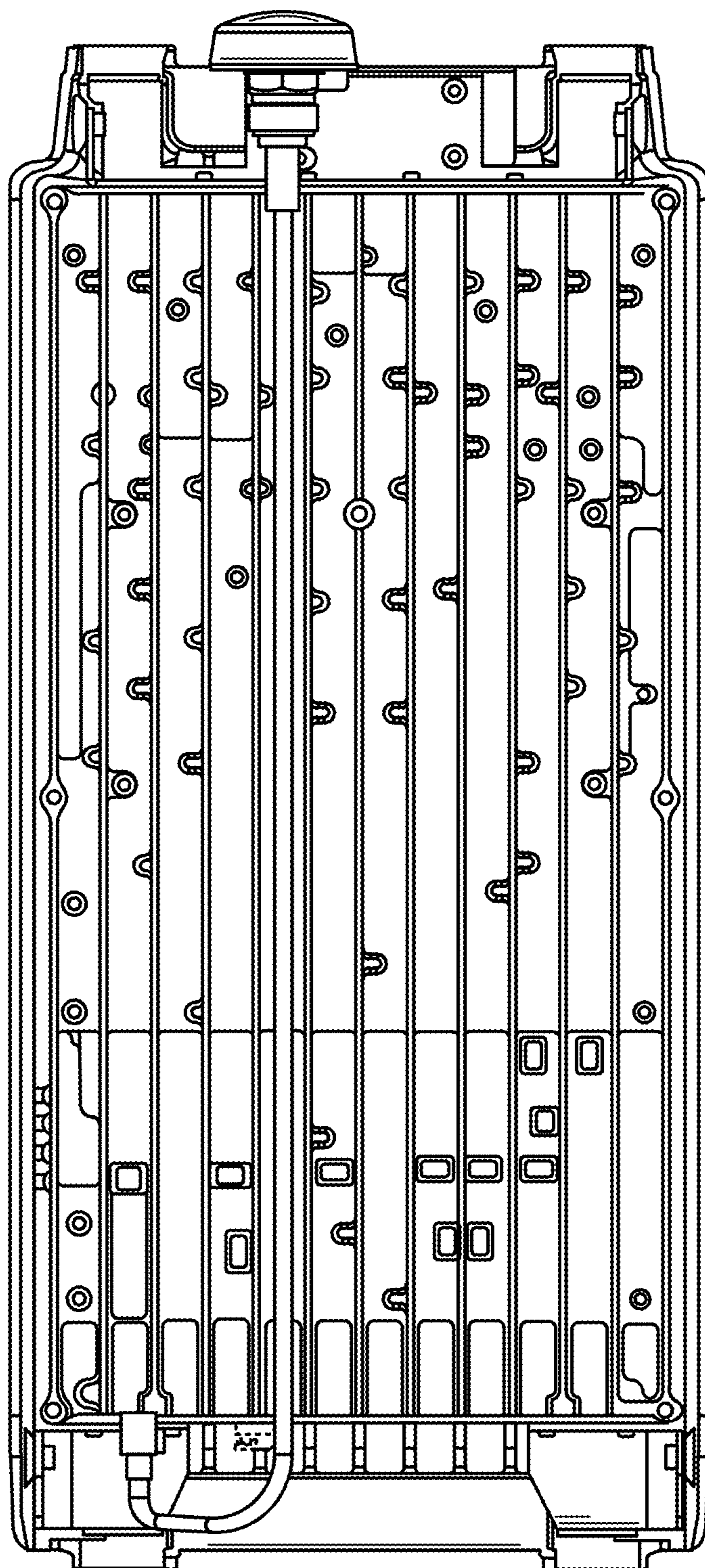


FIG. 4

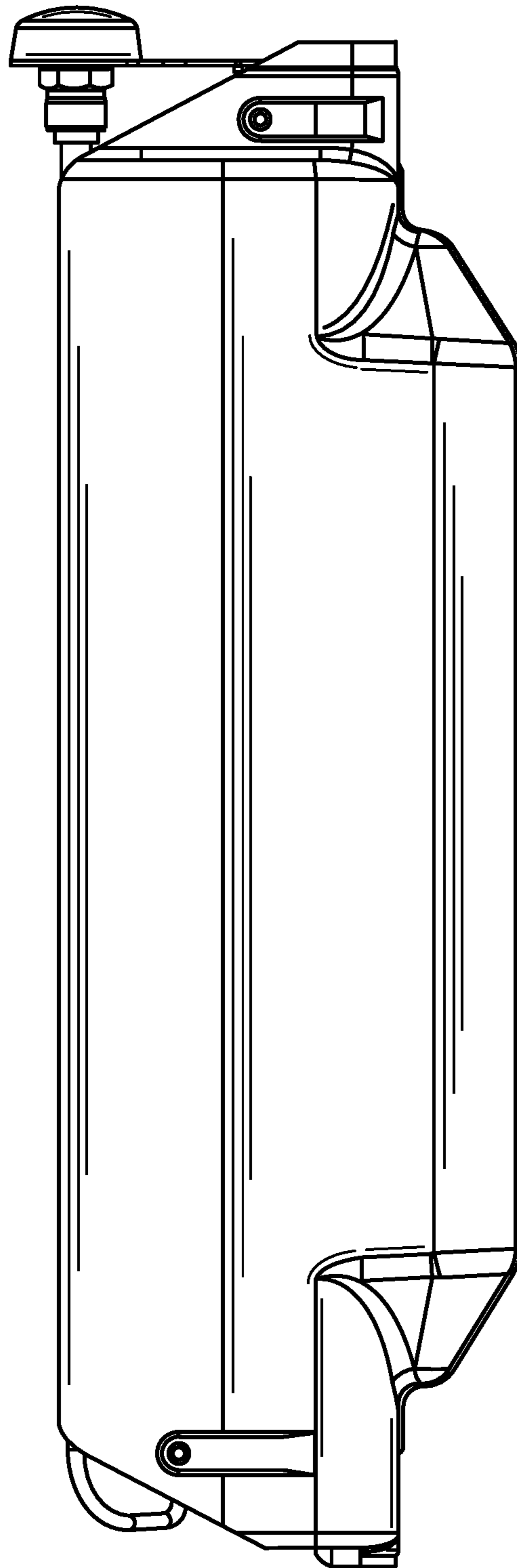


FIG. 5

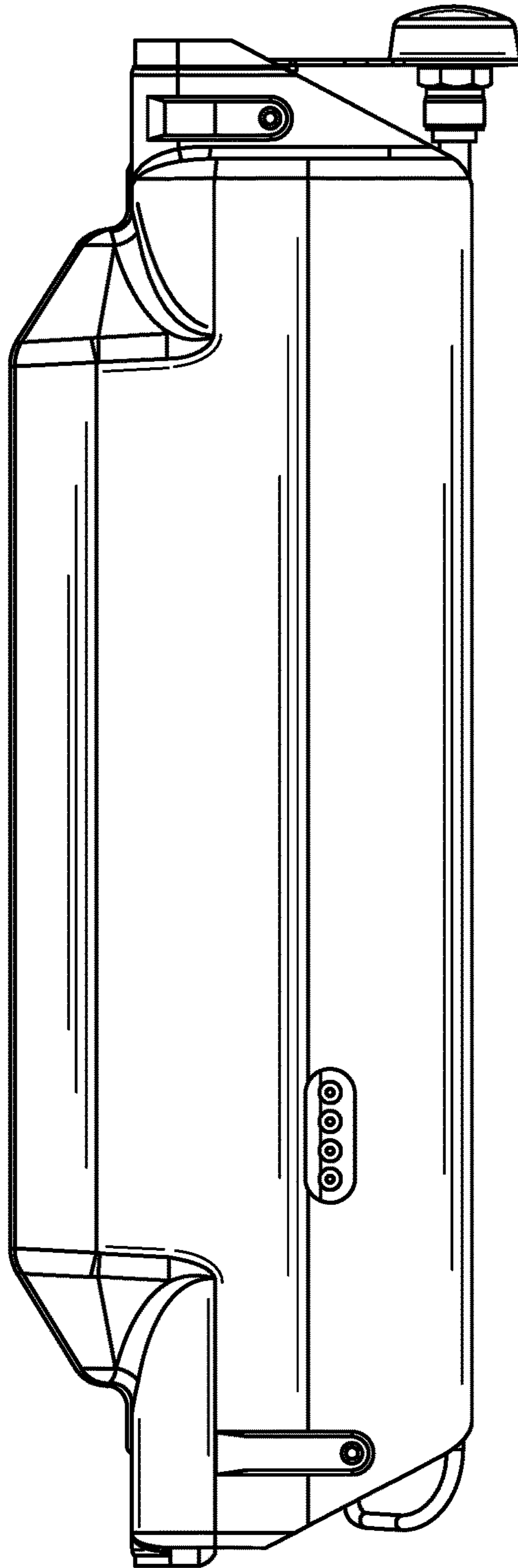


FIG. 6

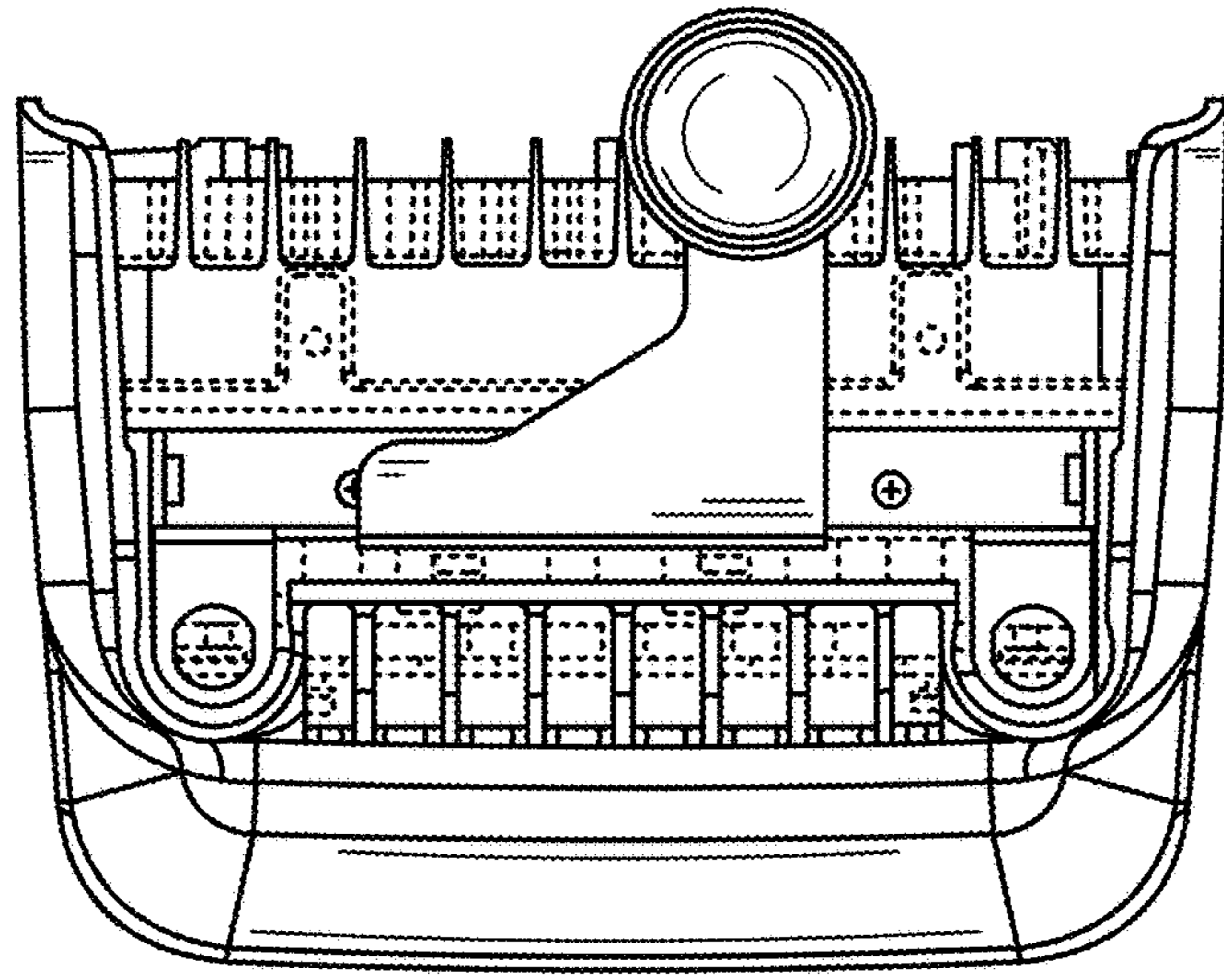


FIG. 7

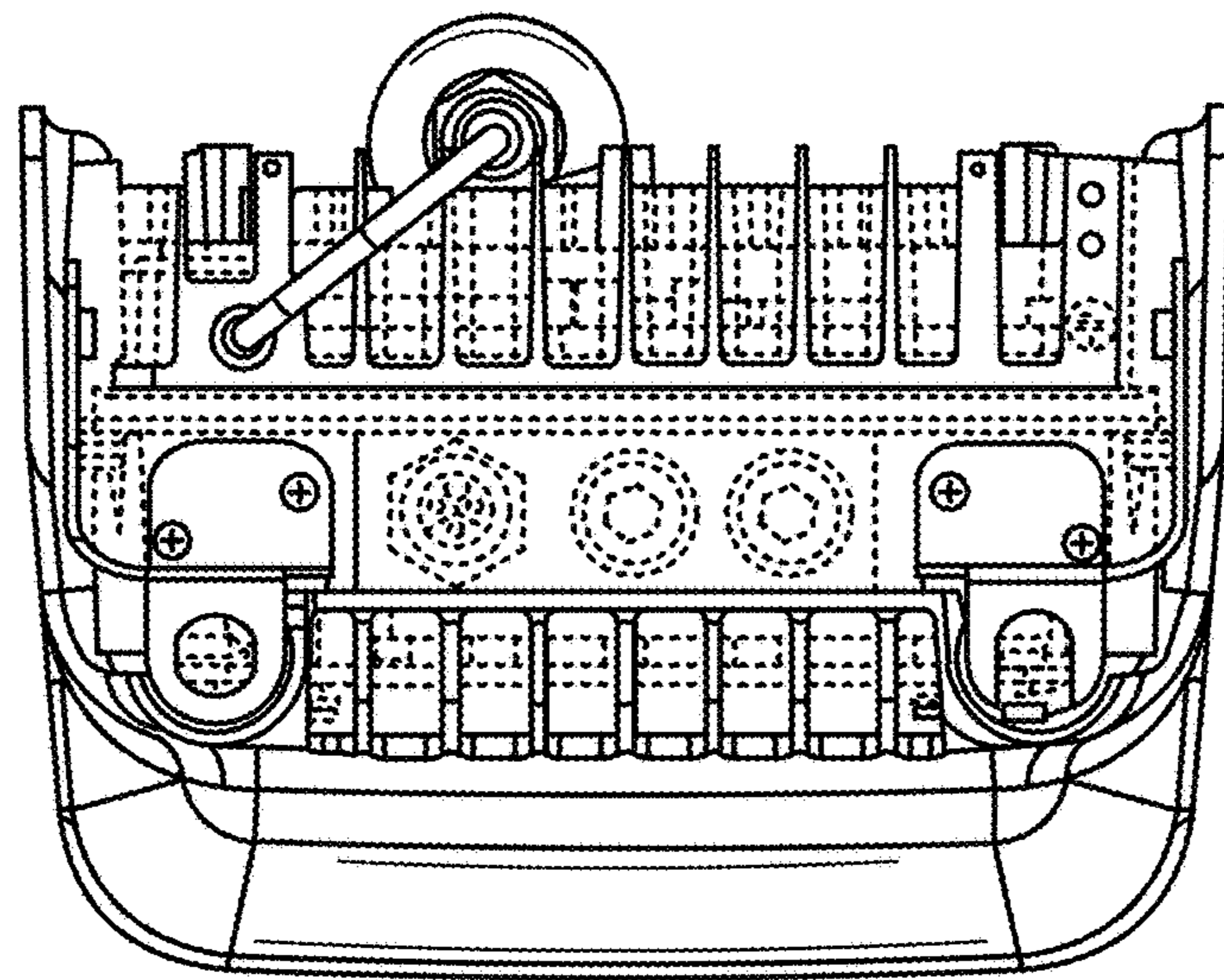


FIG. 8