



US00D783577S

(12) **United States Design Patent**  
**Ambrose et al.**

(10) **Patent No.:** **US D783,577 S**  
(45) **Date of Patent:** **\*\* Apr. 11, 2017**

- (54) **SUBWOOFER**
- (71) Applicant: **Stillwater Designs and Audio, Inc.**,  
Stillwater, OK (US)
- (72) Inventors: **Kyle A. Ambrose**, Stillwater, OK (US);  
**David E. Justis**, Stillwater, OK (US)
- (73) Assignee: **Stillwater Designs and Audio, Inc.**,  
Stillwater, OK (US)
- (\*\*) Term: **15 Years**

3,122,214	A *	2/1964	Robbins	.....	H04R 1/345 181/155
3,150,441	A *	9/1964	Kloss	.....	H04R 1/025 264/251
3,152,661	A *	10/1964	Wolff	.....	H04R 7/06 181/168
3,403,235	A *	9/1968	Bishop	.....	H04R 7/16 181/148
3,430,728	A *	3/1969	Dunning	.....	H04R 1/2834 181/151
3,499,988	A *	3/1970	Tanmatsu	.....	H03F 3/183 257/712
3,595,337	A *	7/1971	Furey	.....	H04R 1/021 181/155

(Continued)

- (21) Appl. No.: **29/539,685**
- (22) Filed: **Sep. 16, 2015**
- (51) **LOC (10) Cl.** ..... **14-01**
- (52) **U.S. Cl.**  
USPC ..... **D14/221**
- (58) **Field of Classification Search**  
USPC ... D14/221, 222, 224.1, 204, 208-216, 224;  
181/144, 145, 147, 199, 173, 172, 148,  
181/150, 157; 381/404, 398, 397, 420,  
381/432, 423, 197, 391-396, 400-402  
CPC . H04R 1/00; H04R 9/06; H04R 11/02; H04R  
25/00  
See application file for complete search history.

**FOREIGN PATENT DOCUMENTS**

AU	773216	B2	9/2004
AU	2004205159		8/2006

(Continued)

*Primary Examiner* — Paula Greene  
(74) *Attorney, Agent, or Firm* — Mary M. Lee

(57) **CLAIM**

The ornamental design for a subwoofer, as shown.

**DESCRIPTION**

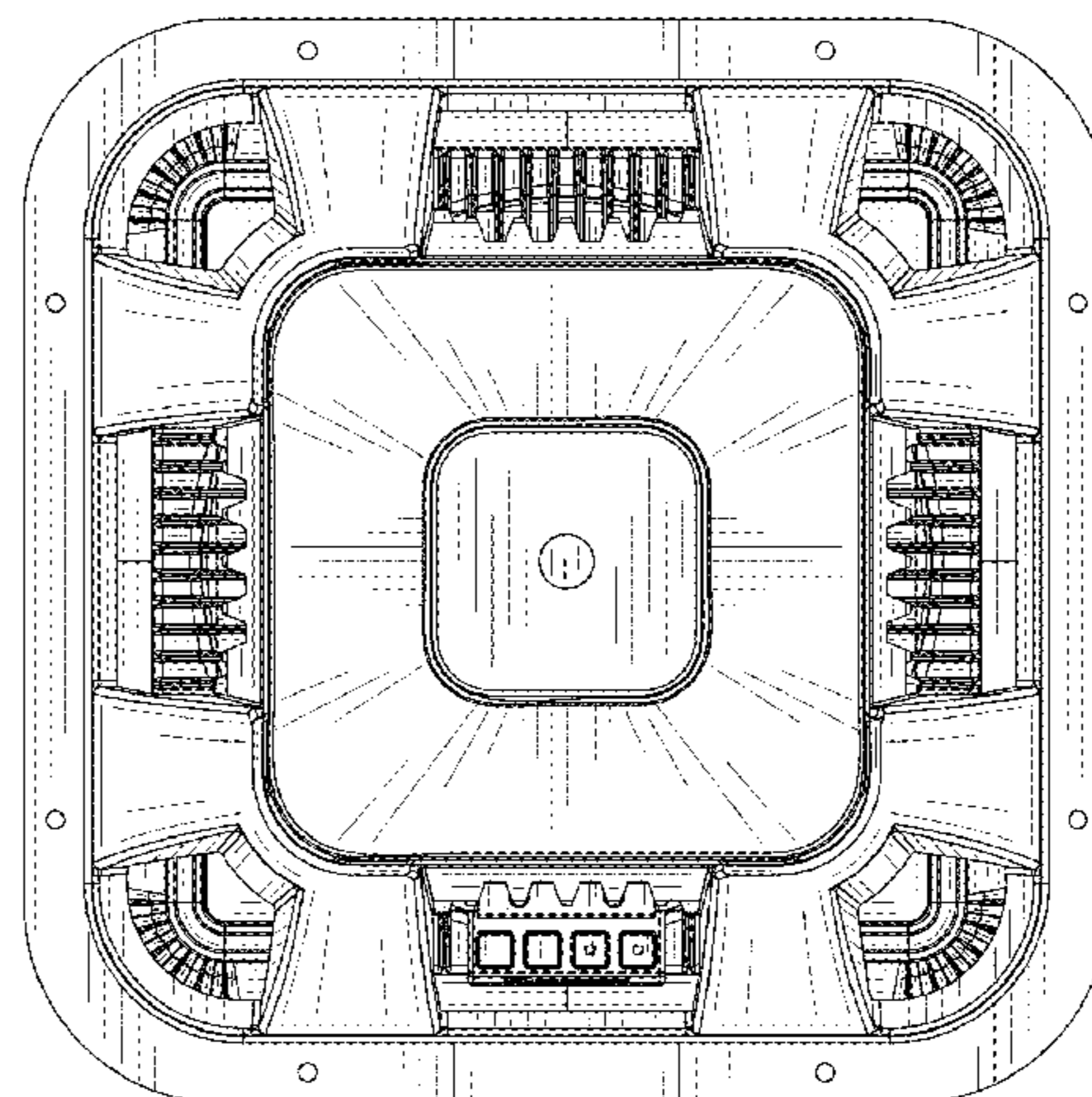
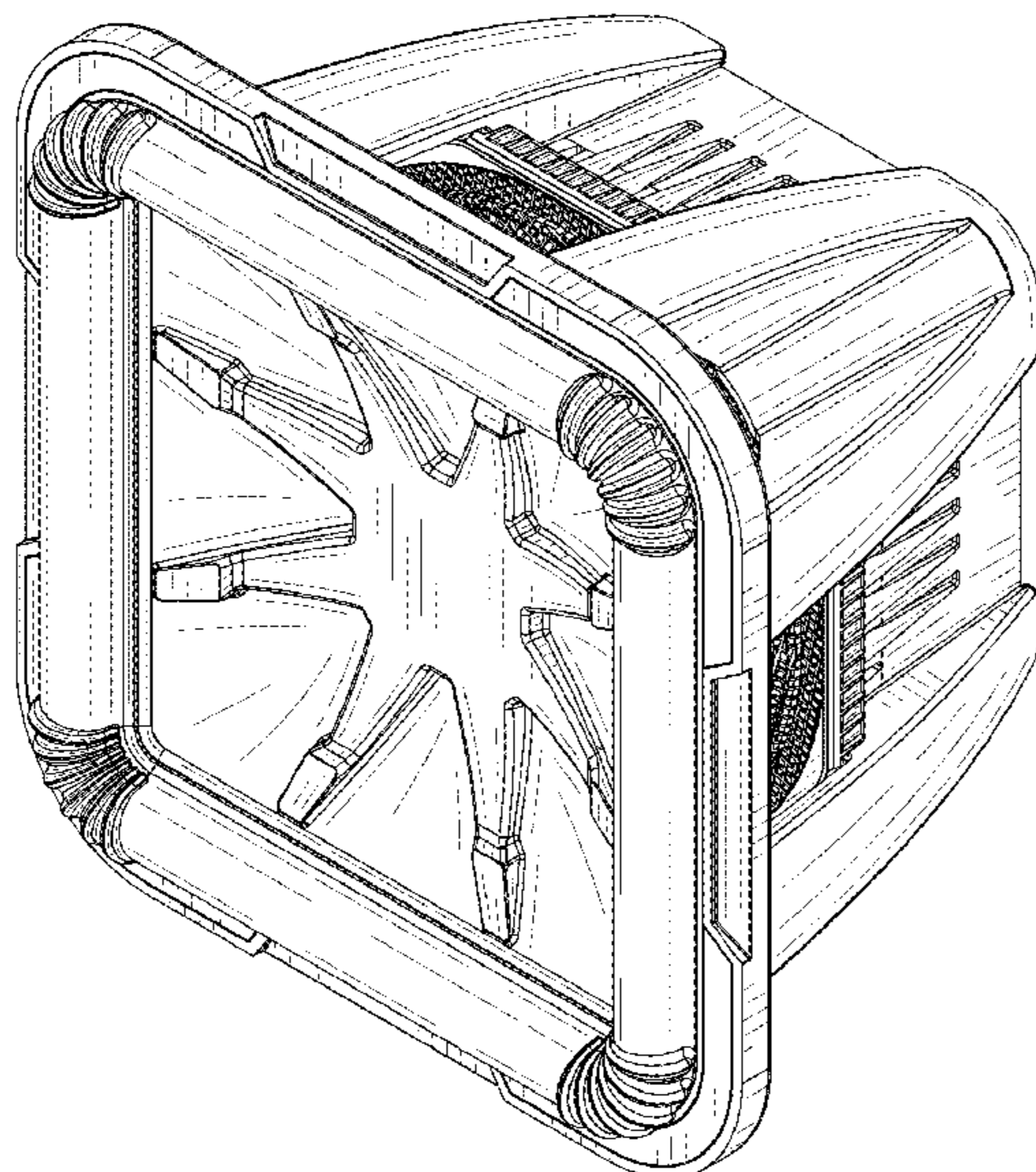
FIG. 1 is a right frontal perspective view of a subwoofer showing our new design.  
 FIG. 2 is a front elevational view of the subwoofer shown in FIG. 1.  
 FIG. 3 is a rear elevational view of the subwoofer shown in FIG. 1.  
 FIG. 4 is an elevational view of the right side of the subwoofer, the top and left side views being identical thereto; and,  
 FIG. 5 is a bottom elevational view of the subwoofer shown in FIG. 1.

**1 Claim, 3 Drawing Sheets**

(56) **References Cited**

**U.S. PATENT DOCUMENTS**

834,629	A *	10/1906	Mobley	.....	H04R 7/12 181/164
D72,695	S *	5/1927	Bondette	.....	D14/216
1,808,297	A *	6/1931	Dempster	.....	H04R 9/02 381/406
2,124,597	A *	7/1938	Tiedje	.....	H04R 9/045 181/171
2,320,402	A *	6/1943	Blessing	.....	H04R 9/025 29/594



(56)

References Cited

U.S. PATENT DOCUMENTS

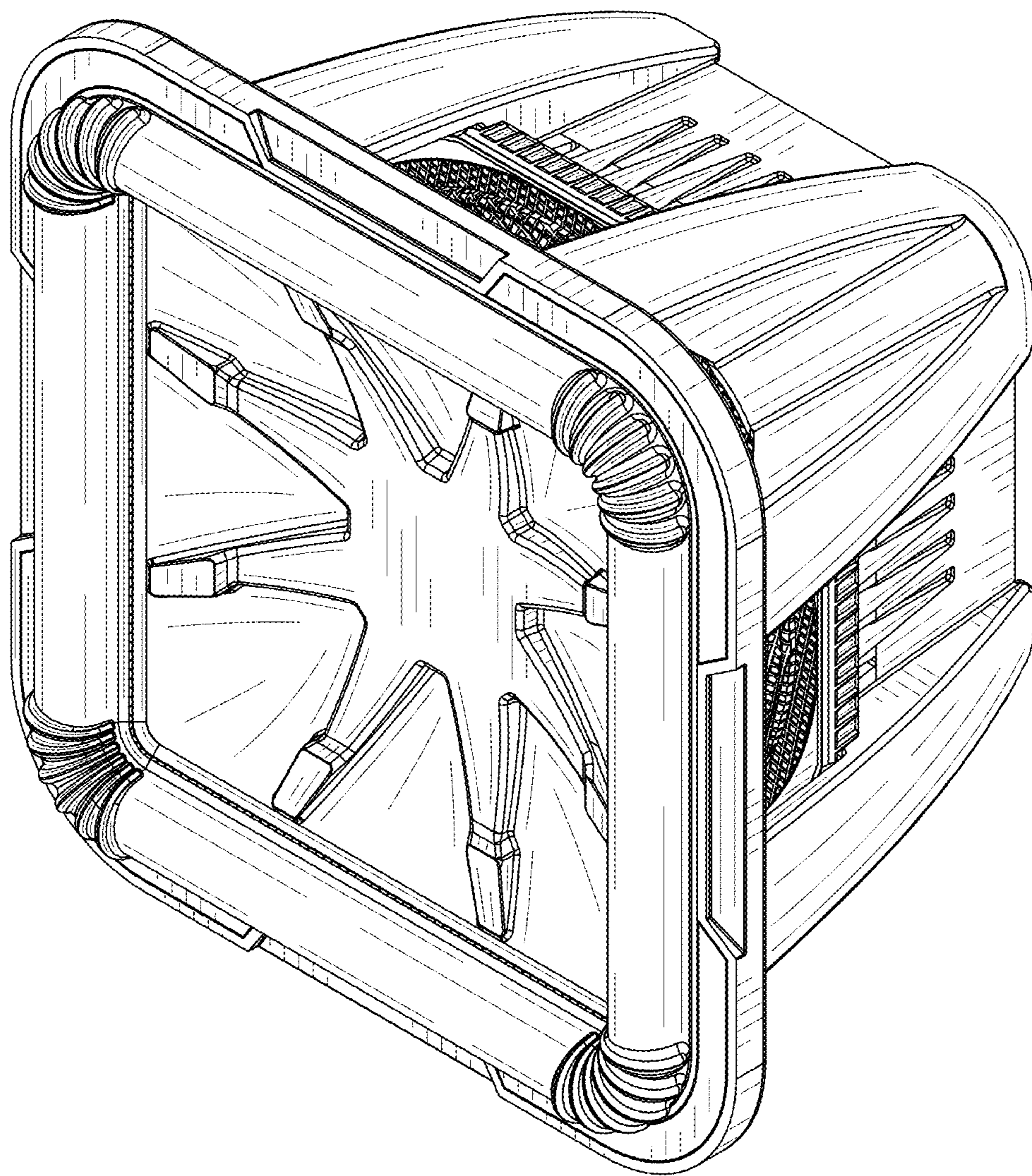
3,718,779 A \* 2/1973 Shoengold ..... H04R 1/021  
181/167  
3,852,529 A \* 12/1974 Schafft ..... H04R 1/30  
181/159  
3,909,530 A \* 9/1975 Gosswiller ..... H04R 1/30  
181/159  
D244,698 S \* 6/1977 Babb ..... D12/206  
4,205,205 A \* 5/1980 Babb ..... H04R 9/02  
29/594  
4,565,905 A \* 1/1986 Nation ..... H04R 1/24  
381/182  
D305,333 S 1/1990 Irby  
D307,015 S 4/1990 Irby  
5,323,469 A \* 6/1994 Scholz ..... H04R 7/24  
381/403  
D355,193 S 2/1995 Irby  
D371,367 S \* 7/1996 Bittencourt ..... D14/215  
5,625,701 A \* 4/1997 Scanlan ..... H04R 7/16  
381/403  
D396,723 S \* 8/1998 Leibzon ..... D14/224  
D448,017 S \* 9/2001 Hasbrook ..... D14/216  
D449,293 S 10/2001 Irby et al.  
D456,386 S 4/2002 Irby et al.  
D473,216 S 4/2003 Irby et al.  
6,611,604 B1 8/2003 Irby et al.  
D484,116 S \* 12/2003 Proni ..... D14/216  
6,731,773 B1 \* 5/2004 Bergbower ..... H04R 9/06  
381/397

6,968,069 B1 11/2005 Zhao  
7,916,890 B2 3/2011 Irby et al.  
8,023,688 B2 9/2011 Irby et al.  
8,175,321 B2 \* 5/2012 Bryant ..... H04R 7/122  
381/396  
8,965,009 B2 \* 2/2015 Kim ..... H04R 9/02  
381/117  
D725,083 S \* 3/2015 Lau ..... D14/224  
2003/0194104 A1 10/2003 Irby et al.  
2008/0075318 A1 3/2008 Zhao  
2011/0164782 A1 \* 7/2011 Bogdanov ..... H04R 7/20  
381/432  
2013/0287244 A1 \* 10/2013 Chen ..... H04R 9/025  
381/398  
2014/0056447 A1 \* 2/2014 Li ..... H04R 1/00  
381/162  
2015/0256939 A1 \* 9/2015 Zhao ..... H04R 9/06  
381/116

FOREIGN PATENT DOCUMENTS

CA	2387939	9/2006
CN	101257733	8/2012
EP	1222839	7/2012
ID	018046	9/2006
KR	654818	2/2006
MX	227315	4/2005
MY	125083	7/2006
TW	498700	12/2002
WO	0131975 A2	5/2001

\* cited by examiner



**FIG. 1**

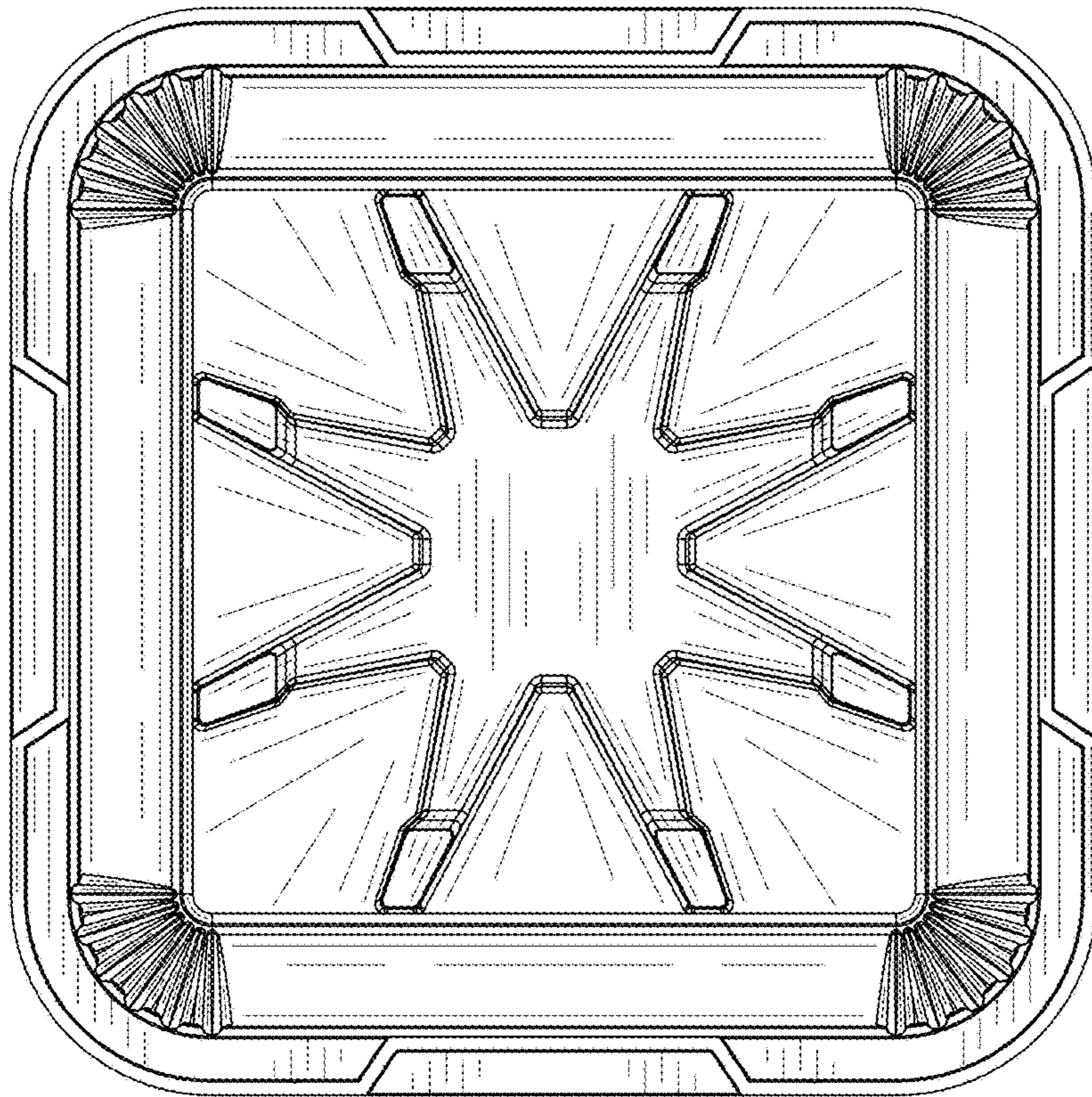


FIG. 2

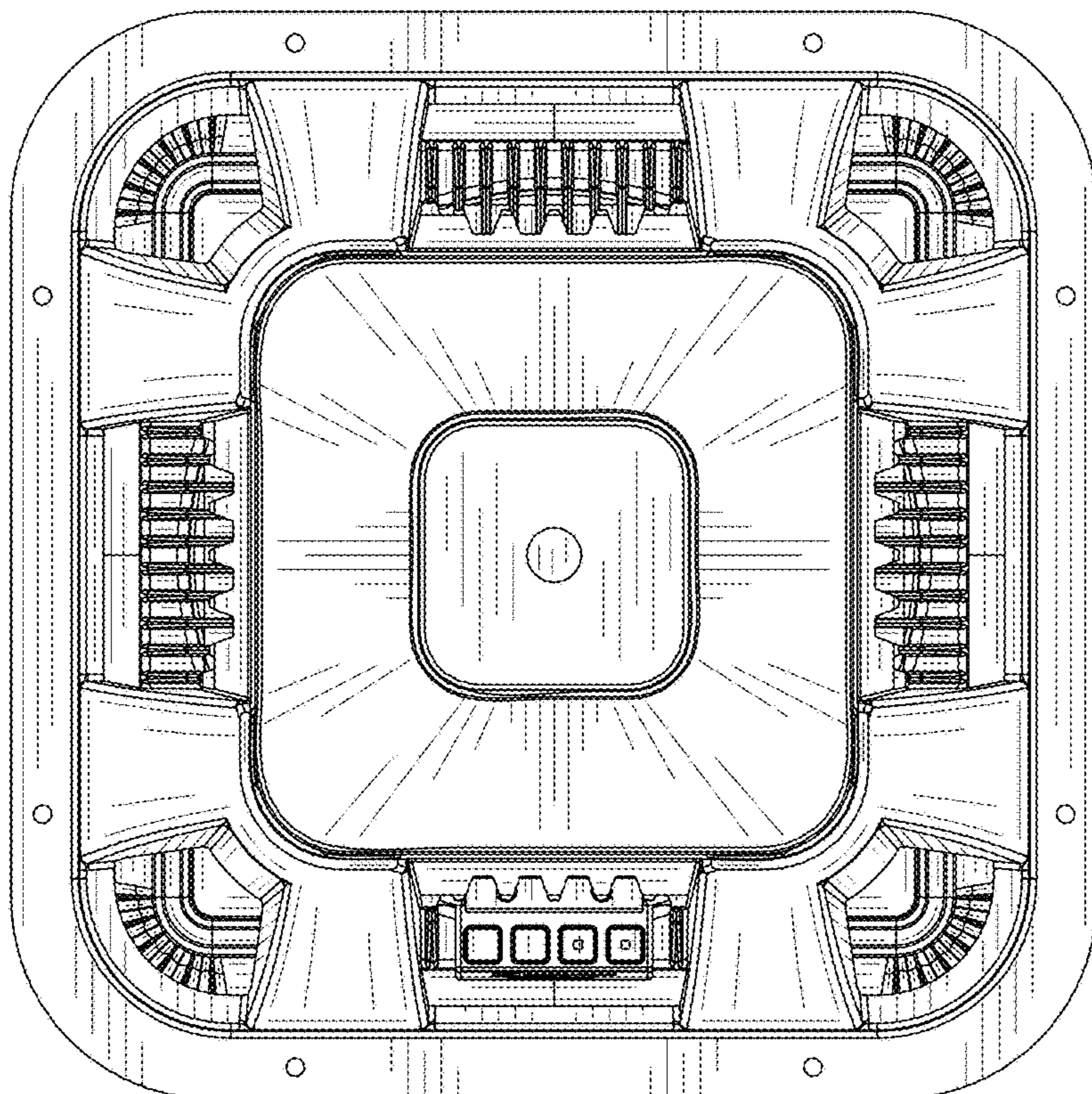


FIG. 3

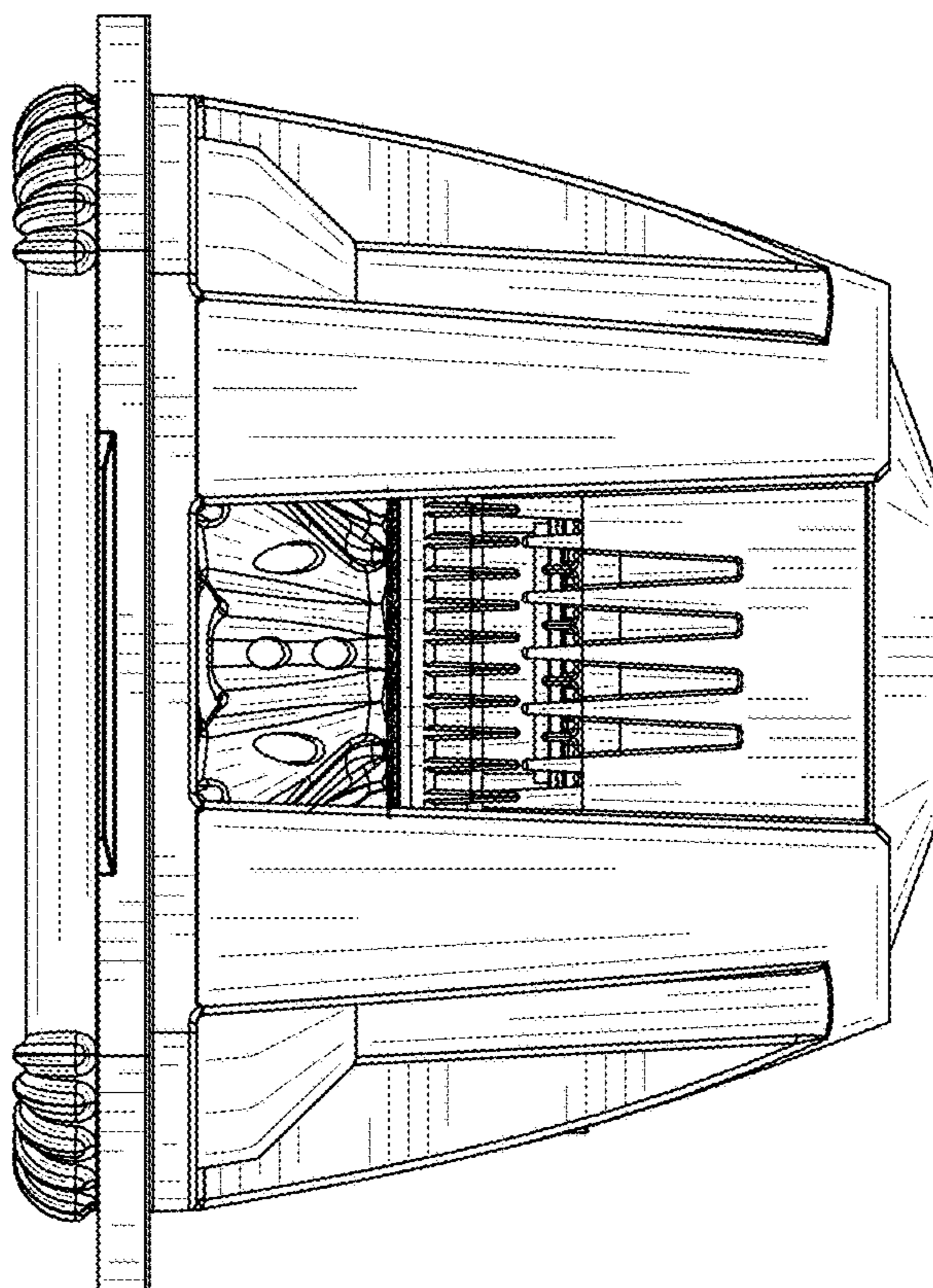


FIG. 4

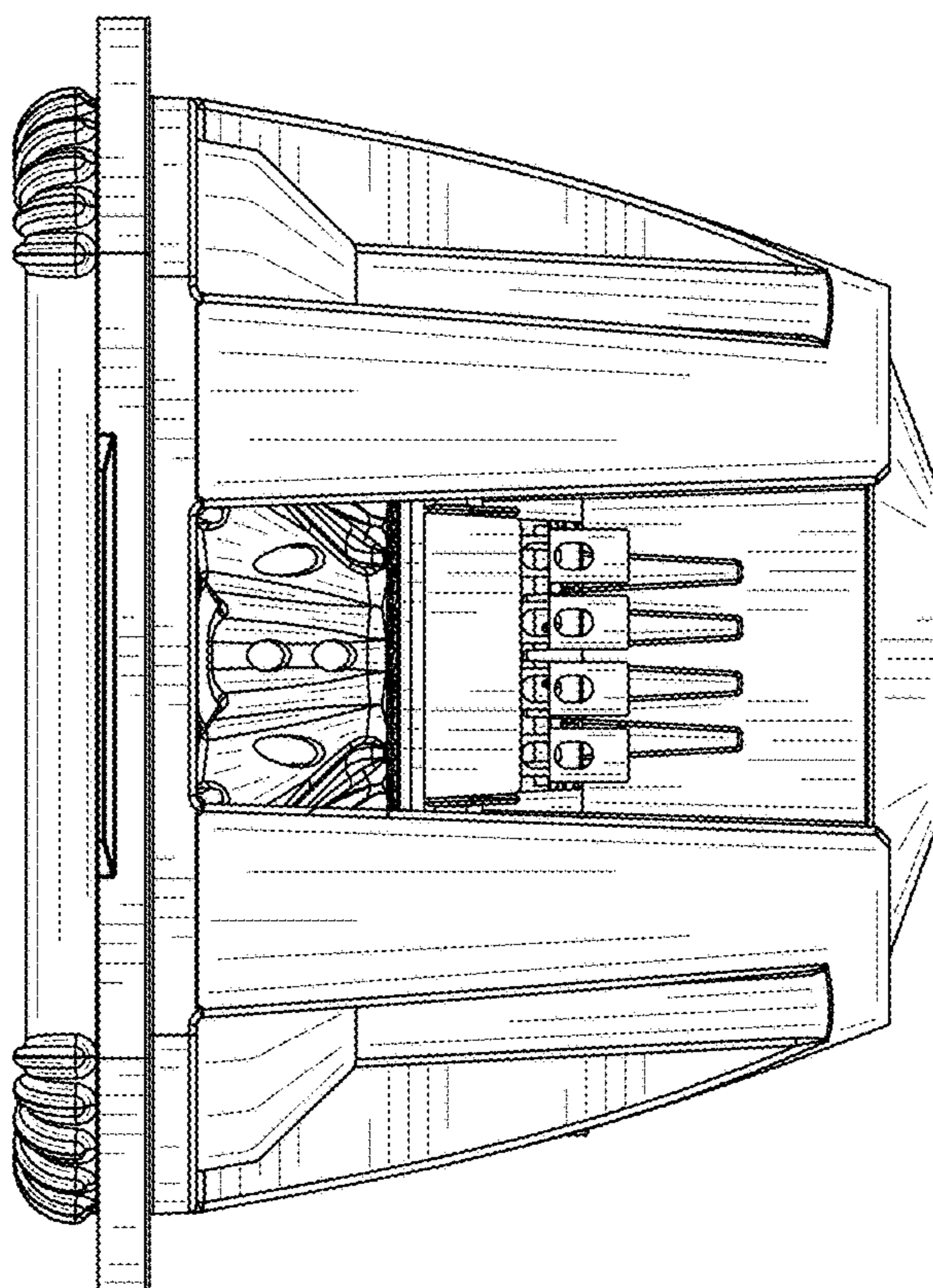


FIG. 5