



US00D783576S

(12) **United States Design Patent**
Bristol et al.

(10) **Patent No.:** **US D783,576 S**
(45) **Date of Patent:** **** Apr. 11, 2017**

(54) **EARBUD CONNECTOR PLATE**

1,651,623 A * 12/1927 Obergfell H04R 1/1066
381/374

(71) Applicant: **Oculus VR, LLC**, Menlo Park, CA
(US)

D108,457 S * 2/1938 Rohde D19/91
2,413,345 A * 12/1946 Gilman H04R 1/1066
381/379

(72) Inventors: **Peter Wesley Bristol**, Seattle, WA
(US); **Quintin Morris**, Issaquah, WA
(US); **James Stocker Webb**, Seattle,
WA (US); **Mark Shintaro Ando**,
Seattle, WA (US); **David Tao**, Santa
Clara, CA (US); **Dan Faulkner**, Menlo
Park, CA (US)

(Continued)

OTHER PUBLICATIONS

Examiners Report in Canadian Patent Application No. 166908,
mailing date May 14, 2016, 2 pages.

(Continued)

(73) Assignee: **Oculus VR, LLC**, Menlo Park, CA
(US)

Primary Examiner — Paula Greene

(74) *Attorney, Agent, or Firm* — Perkins Coie LLP

(**) Term: **15 Years**

(57) **CLAIM**

The ornamental design for a earbud connector plate, as
shown and described.

(21) Appl. No.: **29/550,170**

DESCRIPTION

(22) Filed: **Dec. 30, 2015**

(51) **LOC (10) Cl.** **14-01**

(52) **U.S. Cl.**
USPC **D14/217**

(58) **Field of Classification Search**
USPC ... D14/217, 240, 251, 256, 224, 224.1, 192,
D14/203.5; D29/103, 112; 379/430, 431;
381/375; 345/7, 8; D13/103, 118;
248/231.81; 224/420

CPC H04R 25/00; H04R 1/10; H04R 1/083;
H04R 1/1066; H04R 1/028; H04R 1/105;
H05K 7/00

See application file for complete search history.

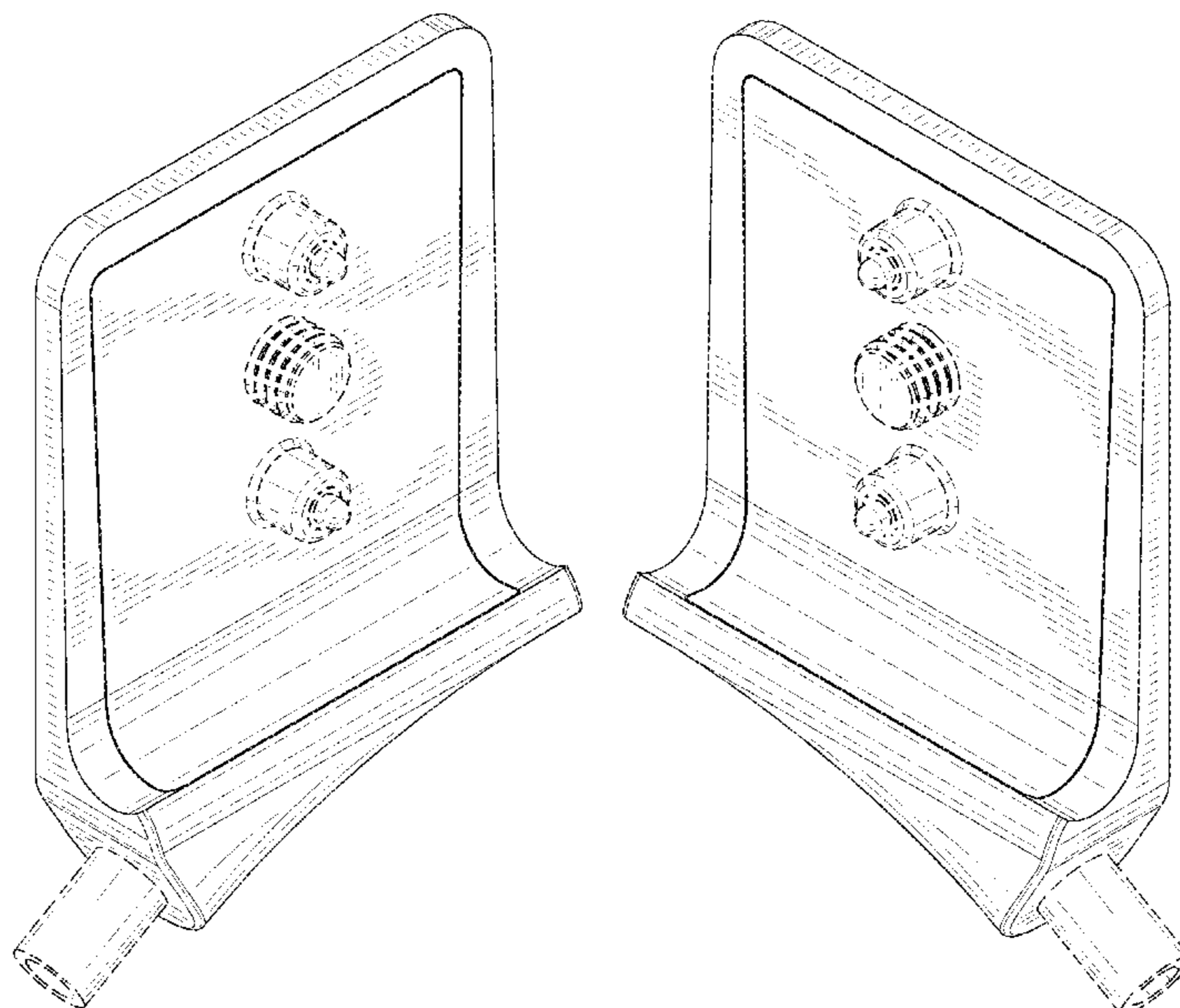
FIG. 1 is a front isometric view of a left earbud connector
plate showing our new design.
FIG. 2 is a front elevation view thereof.
FIG. 3 is a rear elevation view thereof.
FIG. 4 is a left side elevation view thereof.
FIG. 5 is a right side elevation view thereof.
FIG. 6 is a top plan view thereof.
FIG. 7 is a bottom plan view thereof.
FIG. 8 is a front isometric view of a right earbud connector
plate showing our new design.
FIG. 9 is a front elevation view thereof.
FIG. 10 is a rear elevation view thereof.
FIG. 11 is a left side elevation view thereof.
FIG. 12 is a right side elevation view thereof.
FIG. 13 is a top plan view thereof; and,
FIG. 14 is a bottom plan view thereof.
Any broken lines in the Figures are for illustrative purposes
only and form no part of the claimed design.

(56) **References Cited**

U.S. PATENT DOCUMENTS

968,008 A 8/1910 Waller
1,132,324 A * 3/1915 Fortney A42B 3/044
362/107

1 Claim, 10 Drawing Sheets



(56)

References Cited

U.S. PATENT DOCUMENTS

2,430,707 A * 11/1947 Cahn A63F 1/06
206/315.1
2,719,523 A 10/1955 Gierke et al.
2,804,932 A 9/1957 Bedard et al.
3,193,232 A * 7/1965 Hatcher 224/420
3,249,873 A * 5/1966 Whittemore, Jr. A42B 3/30
181/137
3,258,534 A * 6/1966 Goldsworthy A42B 3/30
2/422
3,641,464 A * 2/1972 Crowhurst H03H 7/482
174/359
3,796,041 A * 3/1974 Boulton G04F 7/0814
368/103
3,971,901 A * 7/1976 Foley H04M 1/05
379/430
4,122,841 A 10/1978 Rock et al.
4,141,615 A * 2/1979 Takeuchi H01R 24/547
174/652
4,484,029 A * 11/1984 Kenney H04M 1/6066
379/430
4,672,672 A 6/1987 Eggert et al.
4,736,430 A 4/1988 Schroder
4,788,724 A * 12/1988 Lazzaroni H04R 1/08
2/422
4,860,980 A * 8/1989 Michot F16L 3/1075
24/504
D306,150 S * 2/1990 Macke D12/407
5,144,290 A * 9/1992 Honda G06F 1/1616
16/306
D335,672 S * 5/1993 Leman D14/251
5,590,209 A * 12/1996 Pratt H04R 1/083
2/422
D390,534 S * 2/1998 Pucey D13/146
D405,518 S 2/1999 Kesti et al.
D420,671 S * 2/2000 Jacobsen D14/240
D427,587 S * 7/2000 Jacobsen D14/240
D431,553 S 10/2000 Suzuki et al.
D453,155 S * 1/2002 Michel D14/253
6,369,952 B1 * 4/2002 Rallison G02B 27/017
359/630
D479,224 S * 9/2003 Jeong D14/206
6,681,022 B1 1/2004 Puthuff et al.
D487,077 S 2/2004 Obata
D487,453 S * 3/2004 Ribeiro D14/240
6,738,487 B1 5/2004 Nageno et al.
D514,094 S 1/2006 Griffin et al.
D525,237 S * 7/2006 Viduya D14/223
7,082,206 B2 7/2006 Mahoney et al.
7,113,611 B2 9/2006 Leedom et al.
D549,694 S * 8/2007 Viduya D14/205
D550,657 S 9/2007 Gan et al.
D552,595 S * 10/2007 Viduya D14/205
D557,259 S * 12/2007 Hirsch D14/217
D564,495 S 3/2008 Sasaki et al.
D567,217 S 4/2008 Kamo et al.
D574,361 S 8/2008 Sasaki et al.
D587,681 S 3/2009 Yanai et al.
D589,493 S 3/2009 Densho et al.

D591,721 S 5/2009 Densho et al.
D606,971 S 12/2009 Christopher et al.
D611,934 S 3/2010 Schaefer et al.
D618,670 S 6/2010 Tahara et al.
D619,122 S 7/2010 Nomura et al.
D623,630 S 9/2010 Ohori et al.
D627,766 S 11/2010 Arimoto et al.
D633,086 S 2/2011 Chen et al.
D636,395 S * 4/2011 Anderson D13/107
D639,279 S 6/2011 Andre et al.
D648,727 S * 11/2011 Van Den
Nieuwenhuizen D14/447
D660,290 S 5/2012 Weedon et al.
D662,493 S 6/2012 Chen et al.
D663,726 S * 7/2012 Gourley D14/251
D664,951 S 8/2012 Ang et al.
8,265,323 B2 9/2012 Stiehl et al.
D672,350 S * 12/2012 Gioscia D14/434
D674,904 S 1/2013 Aunio et al.
8,422,717 B2 4/2013 Lin et al.
D721,354 S 1/2015 Finlay et al.
D740,786 S 10/2015 Huang et al.
D742,363 S 11/2015 Andersson
D751,530 S 3/2016 Kolton
D755,158 S 5/2016 Jung et al.
D763,828 S * 8/2016 Yoo D14/217
D773,439 S 12/2016 Walker et al.
D773,441 S 12/2016 Pedersen et al.
2001/0036058 A1 * 11/2001 Jenks G06F 1/1626
361/679.56
2001/0046305 A1 * 11/2001 Muranami G06F 1/1632
381/77
2004/0203521 A1 * 10/2004 Nassimi H04M 1/05
455/90.3
2012/0077438 A1 * 3/2012 Jung A42B 3/30
455/41.2
2012/0246879 A1 10/2012 Pestal et al.
2013/0188819 A1 7/2013 Young-Mun

OTHER PUBLICATIONS

Examiners Report in Canadian Patent Application No. 166908, mailing date Sep. 15, 2016, 2 pages.
First Examination Report in Indian Patent Application No. 281598, mailing date Jun. 28, 2016, 45 pages.
First Examination Report in Israeli Patent Application No. 58463, mailing date Aug. 11, 2016, 2 pages.
U.S. Appl. No. 29/550,138 by Morris, Q., et al., filed Dec. 30, 2015.
U.S. Appl. No. 29/550,149 by Morris, Q., et al., filed Dec. 30, 2015.
U.S. Appl. No. 29/550,158 by Bristol, P., et al., filed Dec. 30, 2015.
Non-Final Office Action mailed Feb. 2, 2017 for U.S. Appl. No. 29/550,149 by Morris, Q. et al., filed Dec. 30, 2015.
Notice of Allowance mailed Jan. 27, 2017 for U.S. Appl. No. 29/550,138 by Morris, Q., et al., filed Dec. 30, 2015.
Restriction Requirement mailed Feb. 2, 2017, for U.S. Appl. No. 29/550,158 by Bristol, P., et al. filed Dec. 30, 2015.
Notice of Allowance mailed Feb. 21, 2017, for U.S. Appl. No. 29/550,158 by Bristol, P., et al. filed Dec. 30, 2015.

* cited by examiner

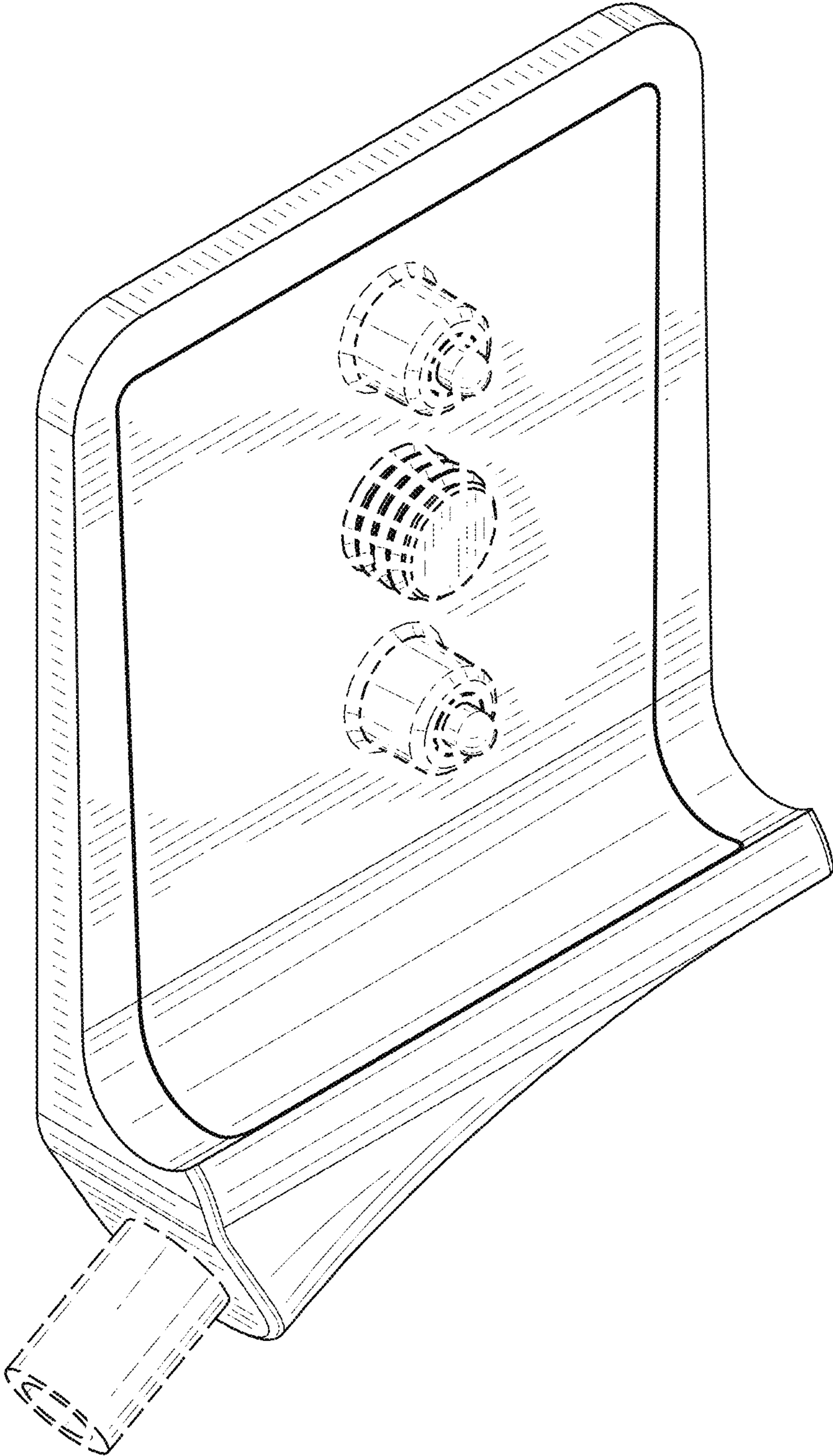


Fig. 1

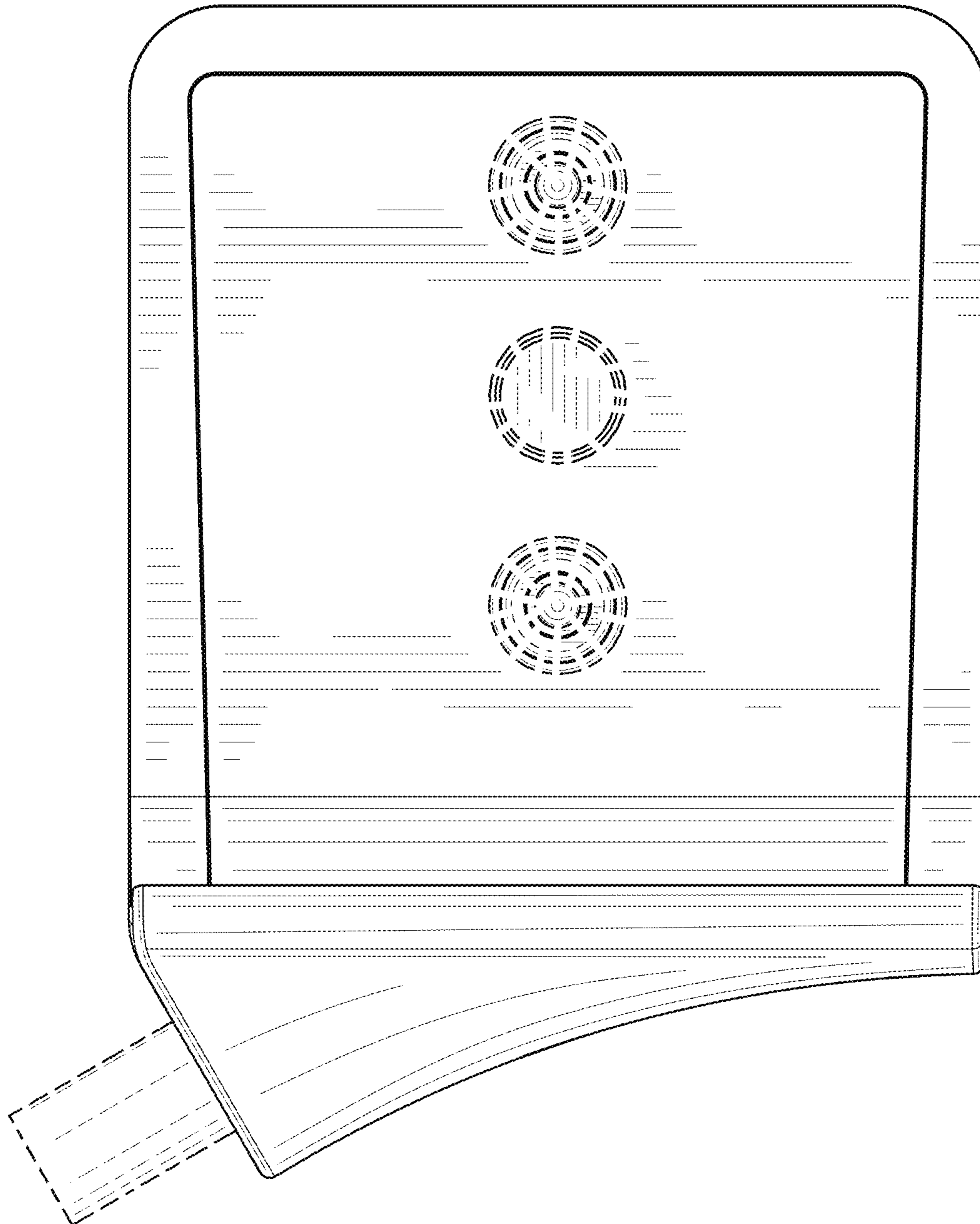


Fig. 2

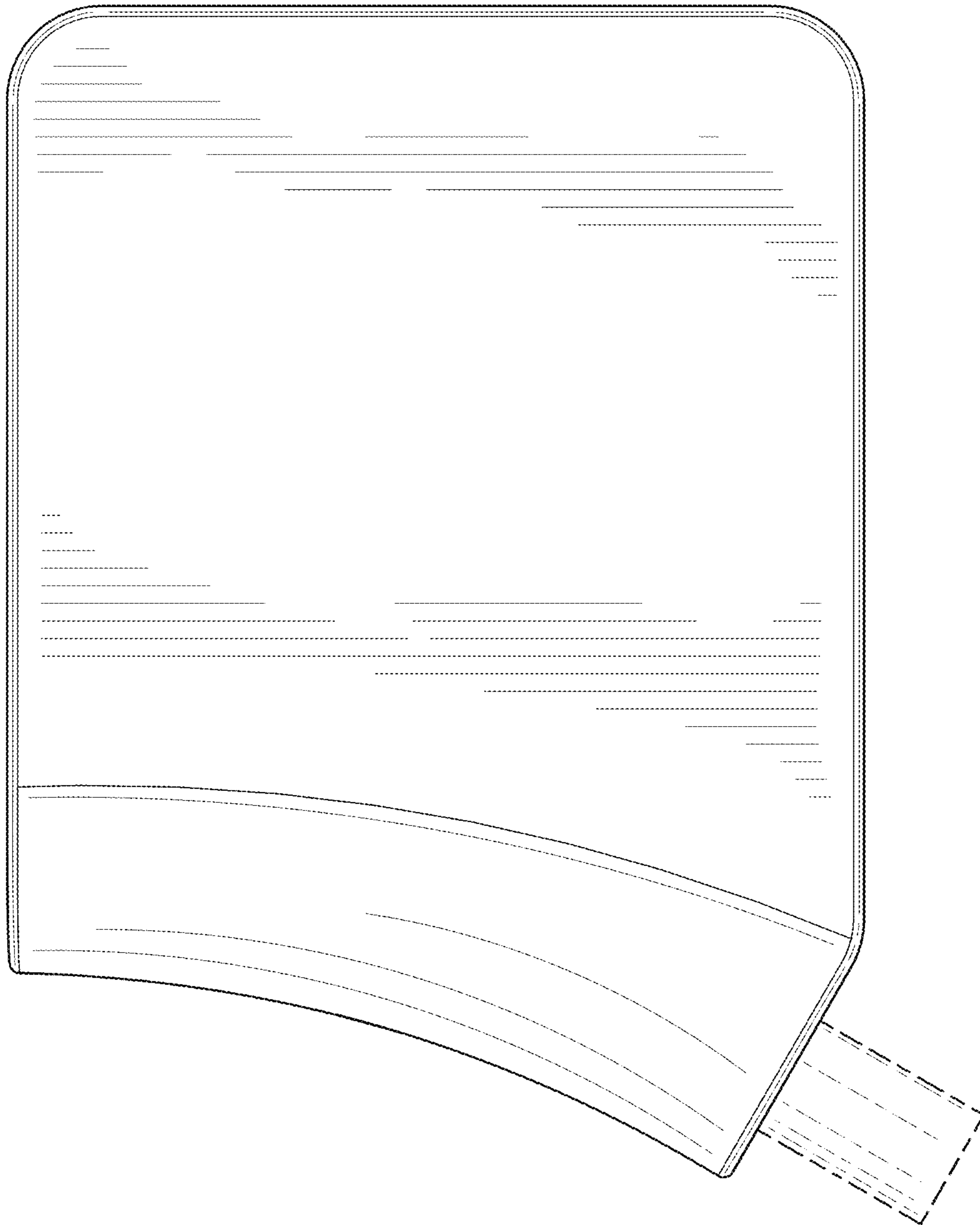


Fig. 3

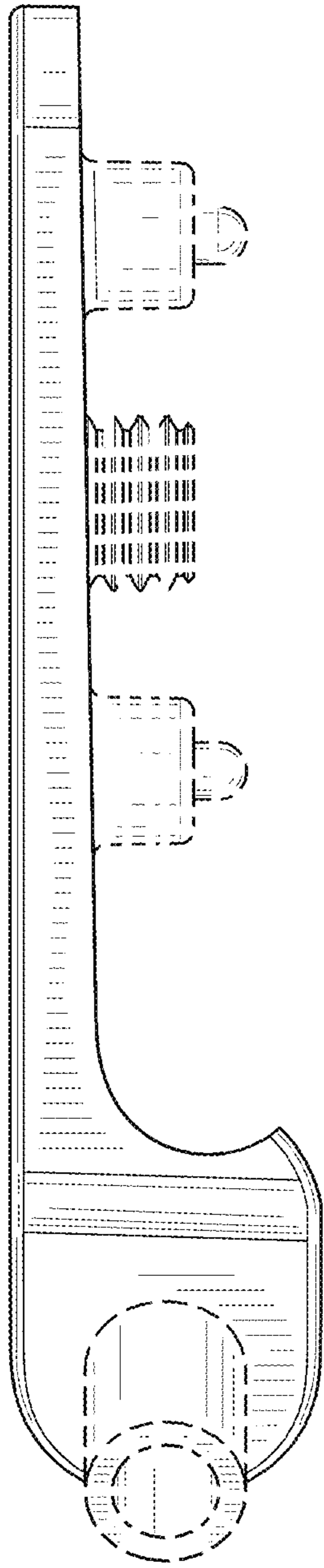


Fig. 4

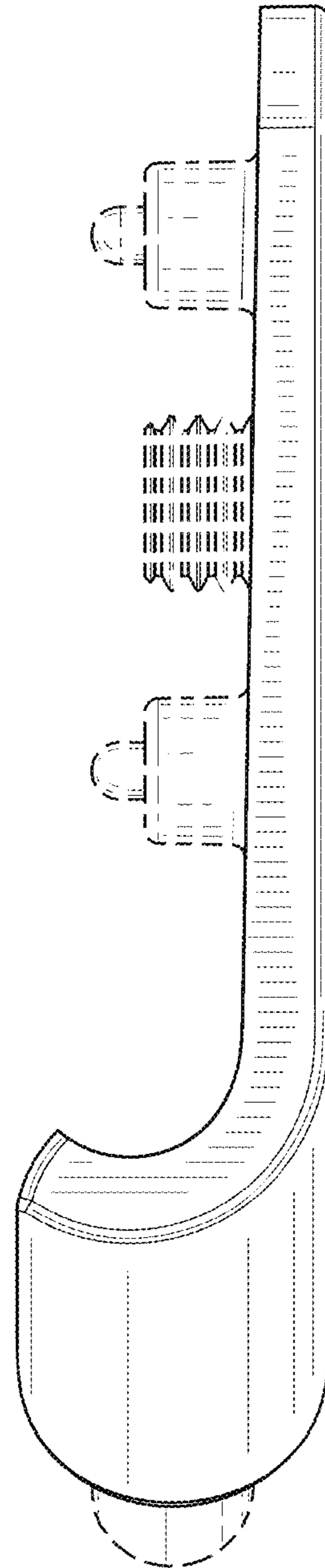


Fig. 5

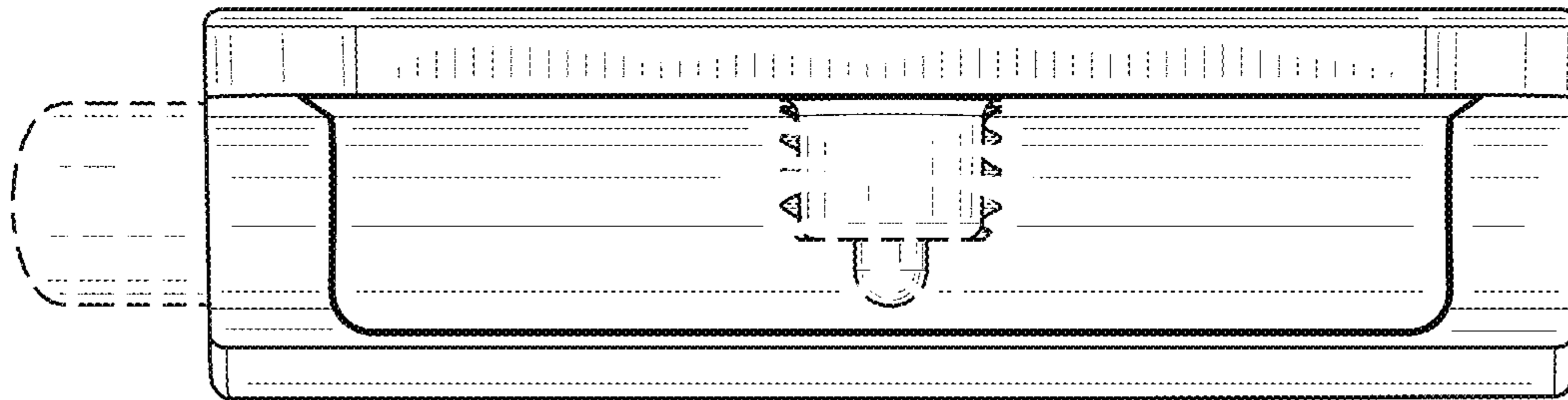


Fig. 6

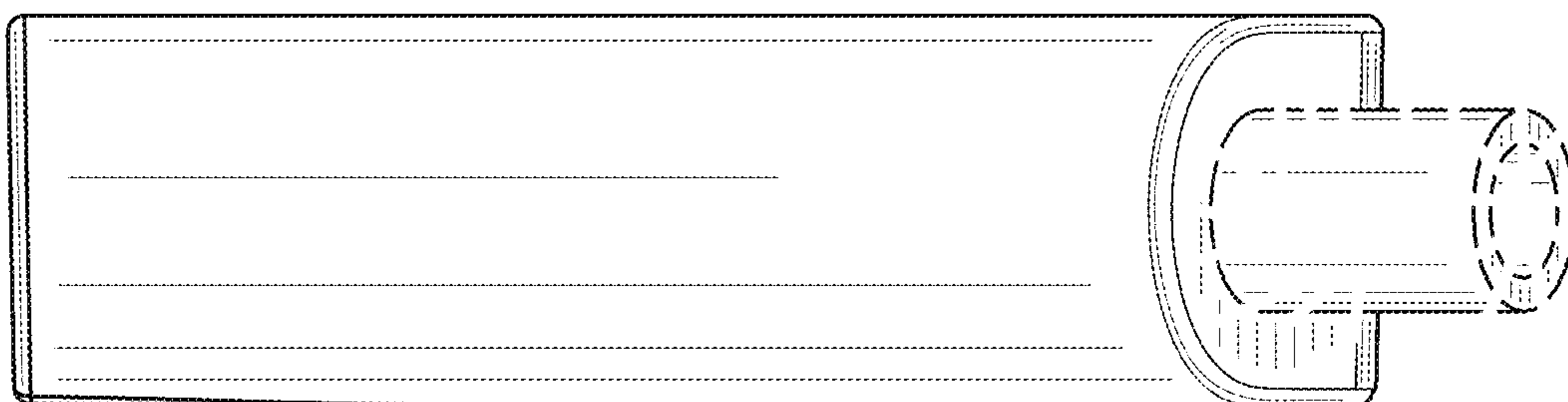


Fig. 7

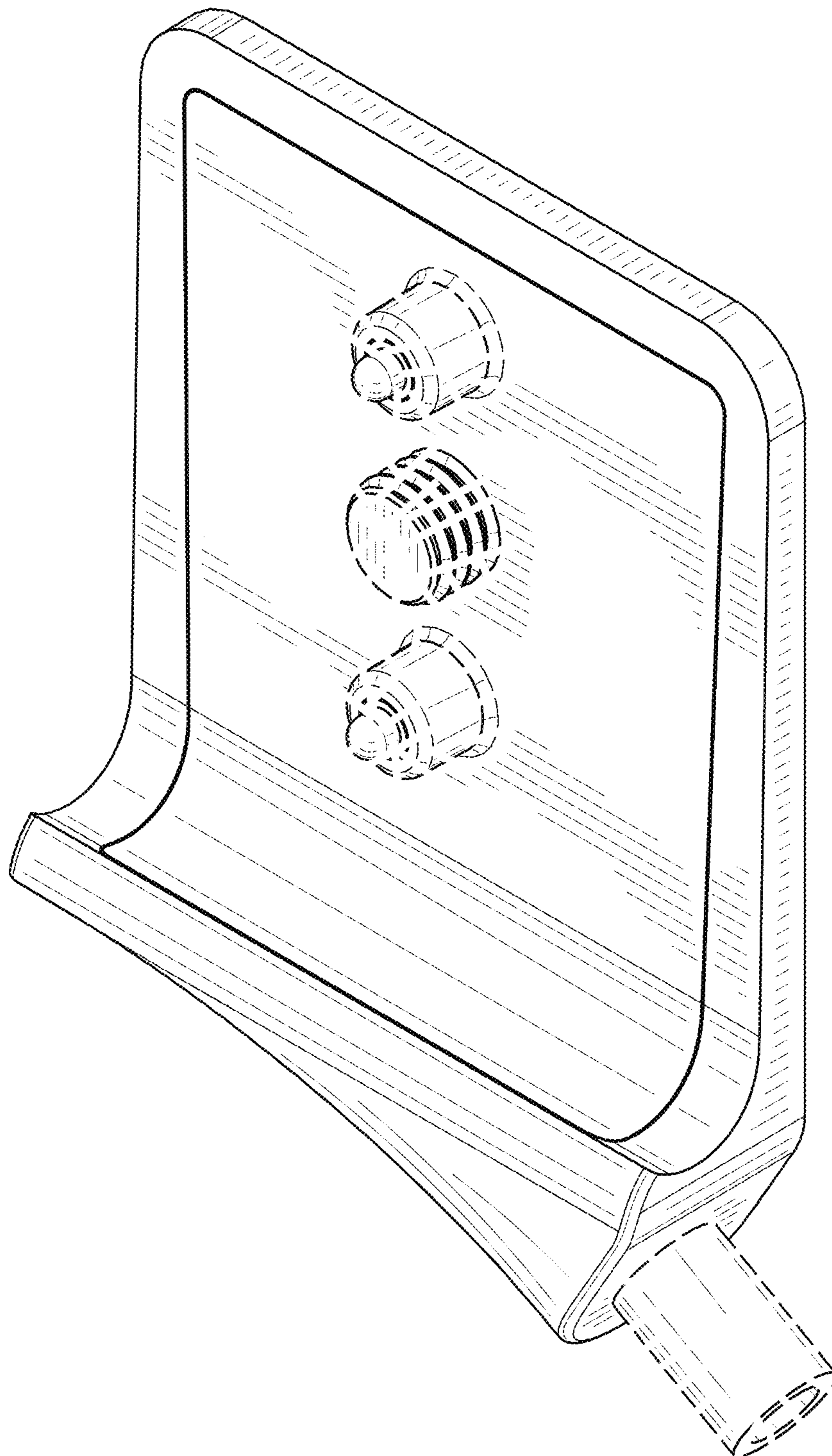


Fig. 8

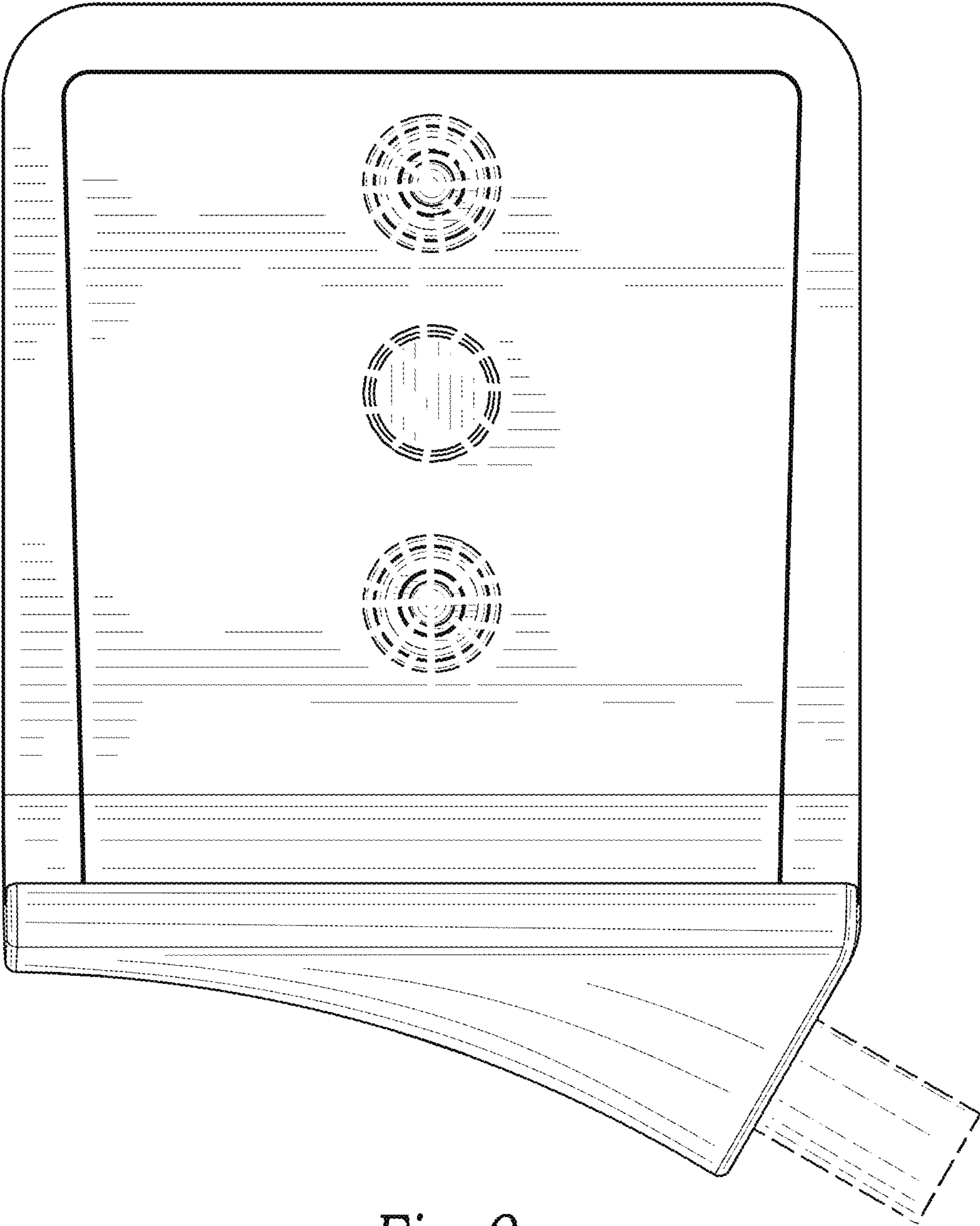


Fig. 9

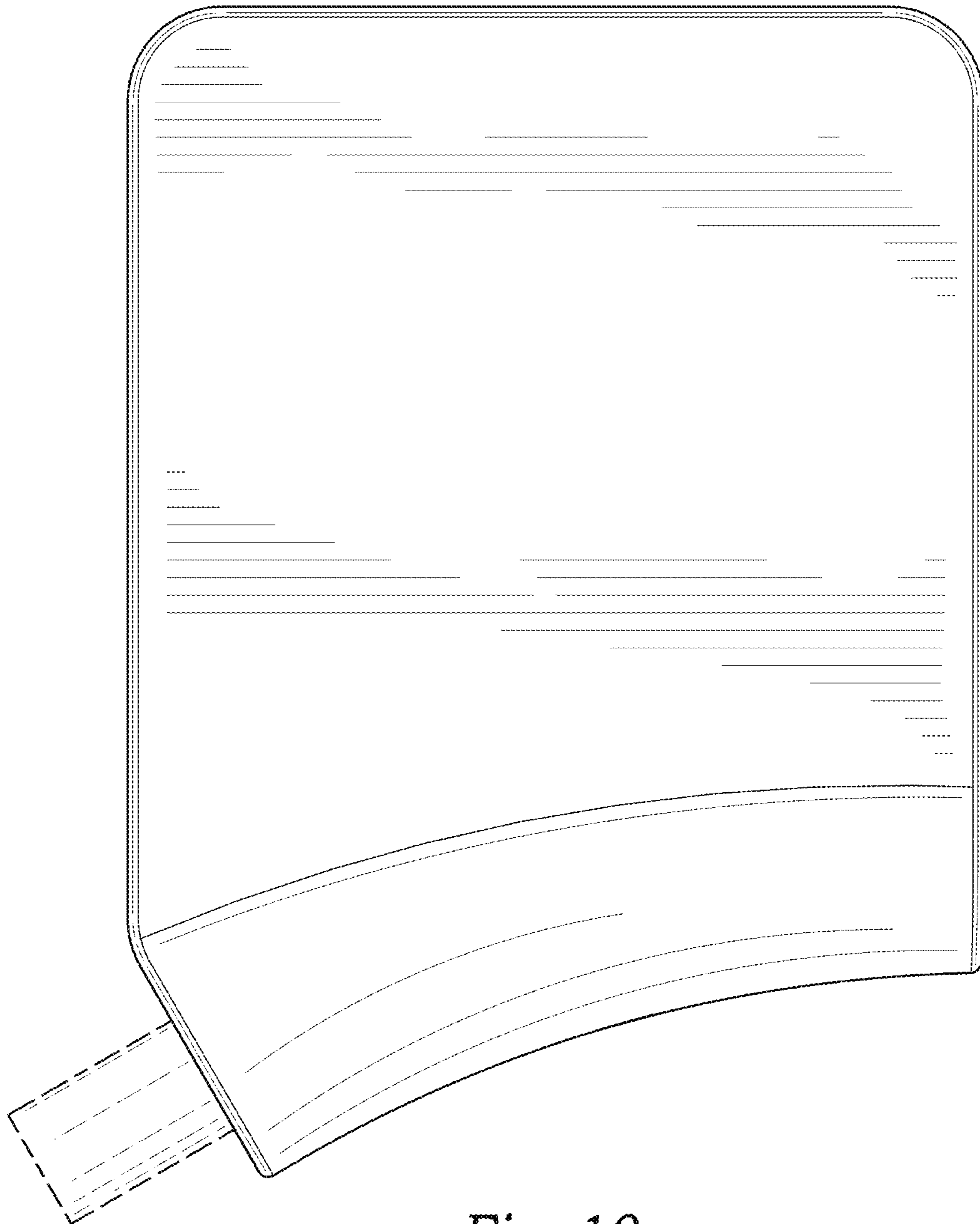


Fig. 10

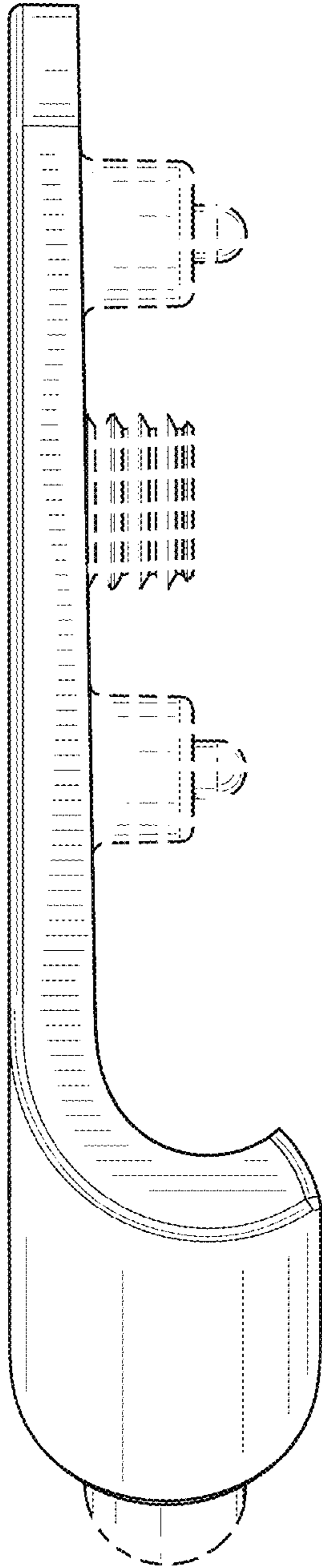


Fig. 11

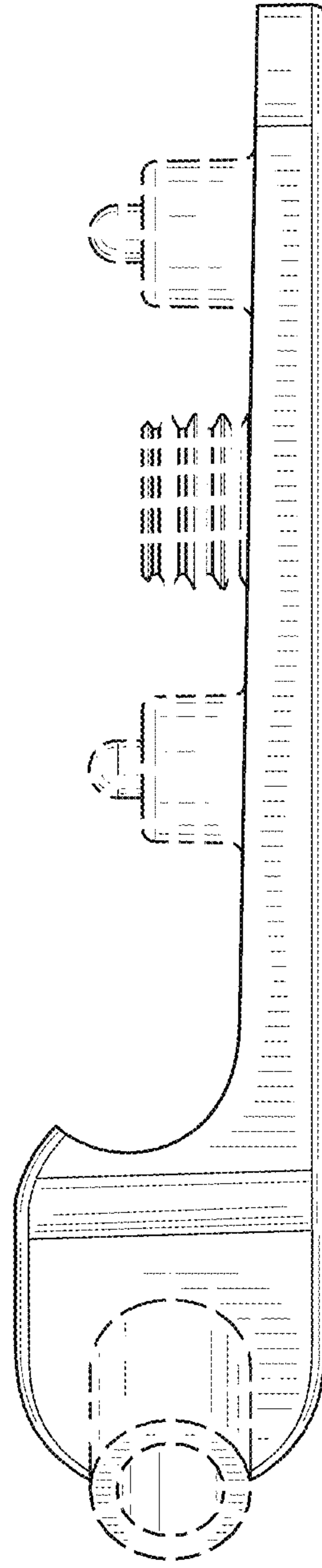


Fig. 12

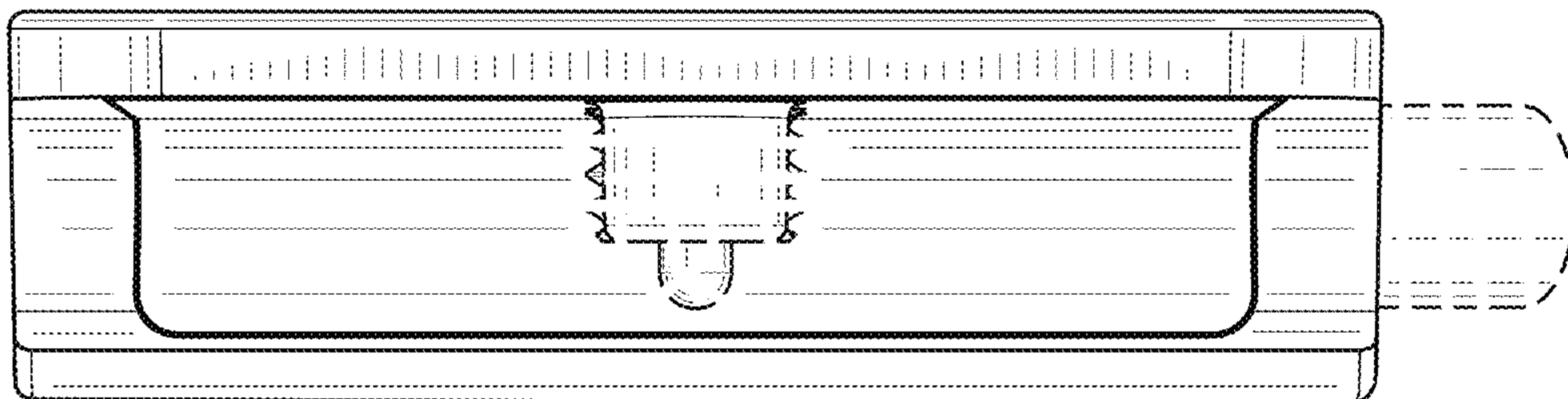


Fig. 13

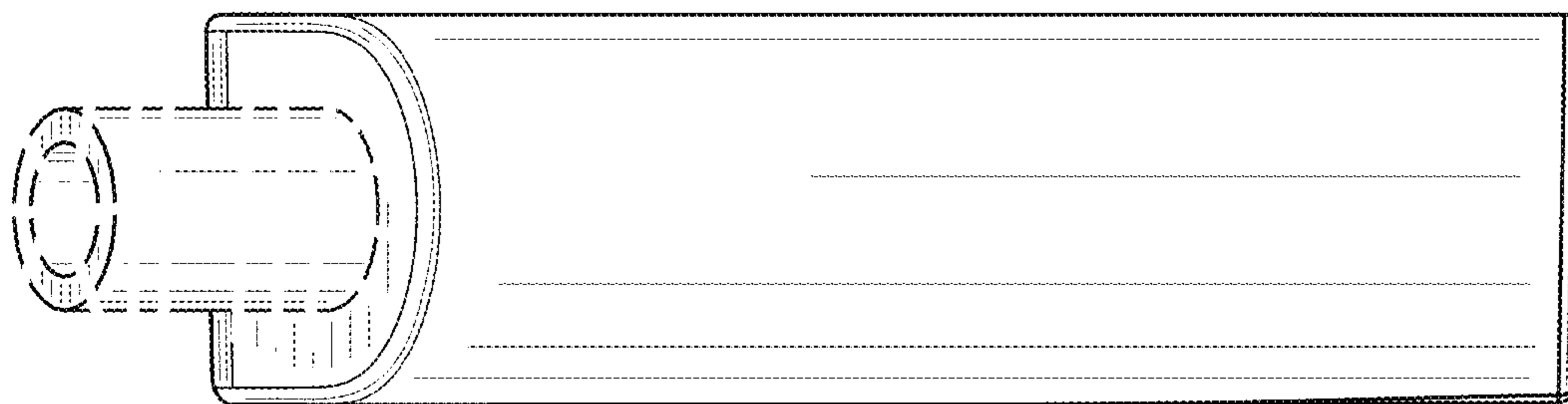


Fig. 14