



US00D783573S

(12) **United States Design Patent**  
**Liu**

(10) **Patent No.:** **US D783,573 S**  
(45) **Date of Patent:** **\*\* Apr. 11, 2017**

- (54) **SPEAKER**
- (71) Applicant: **Li-Hsing Liu**, Luzhu Township,  
Taoyuan County (TW)
- (72) Inventor: **Li-Hsing Liu**, Luzhu Township,  
Taoyuan County (TW)
- (\*\*) Term: **15 Years**
- (21) Appl. No.: **29/553,575**
- (22) Filed: **Feb. 3, 2016**
- (51) **LOC (10) Cl.** ..... **14-02**
- (52) **U.S. Cl.**  
USPC ..... **D14/207**
- (58) **Field of Classification Search**  
USPC ..... D14/204, 207, 210–216, 172, 209.1,  
D14/203.2, 189; 181/143, 144, 147, 148,  
181/150–153, 157, 198, 199;  
381/300–303, 306, 332, 333, 336, 345,  
381/361–364, 386–388; D11/160, 162,  
D11/606–609, 832; 455/344–347;  
369/6–12; D9/683, 500, 738, 763;  
D7/300, 601–606  
CPC ..... H04R 1/00; H04R 1/02; H04R 2400/00;  
H05K 5/00  
See application file for complete search history.

- 4,993,511 A \* 2/1991 Hiraki ..... H04R 1/025  
181/150
- 5,140,254 A \* 8/1992 Katzman ..... A47K 3/281  
290/54
- 5,319,164 A \* 6/1994 Shen ..... H04R 1/025  
181/150
- 5,647,007 A \* 7/1997 Wooderson ..... H04R 5/02  
381/332
- 6,279,678 B1 \* 8/2001 Tracy ..... H04R 1/02  
181/144
- D554,617 S \* 11/2007 Solland ..... D14/207
- D678,468 S \* 3/2013 Hanna ..... D14/207
- D699,217 S \* 2/2014 McCoy ..... D14/203.2
- D747,292 S \* 1/2016 Thomason ..... D14/207
- D761,229 S \* 7/2016 Tang ..... D14/207
- D771,015 S \* 11/2016 Tang ..... D14/207

\* cited by examiner

*Primary Examiner* — Prabhakar Deshmukh  
(74) *Attorney, Agent, or Firm* — Alan D. Kamrath;  
Kamrath IP Lawfirm, P.A.

(57) **CLAIM**

The ornamental design for a speaker, as shown and described.

**DESCRIPTION**

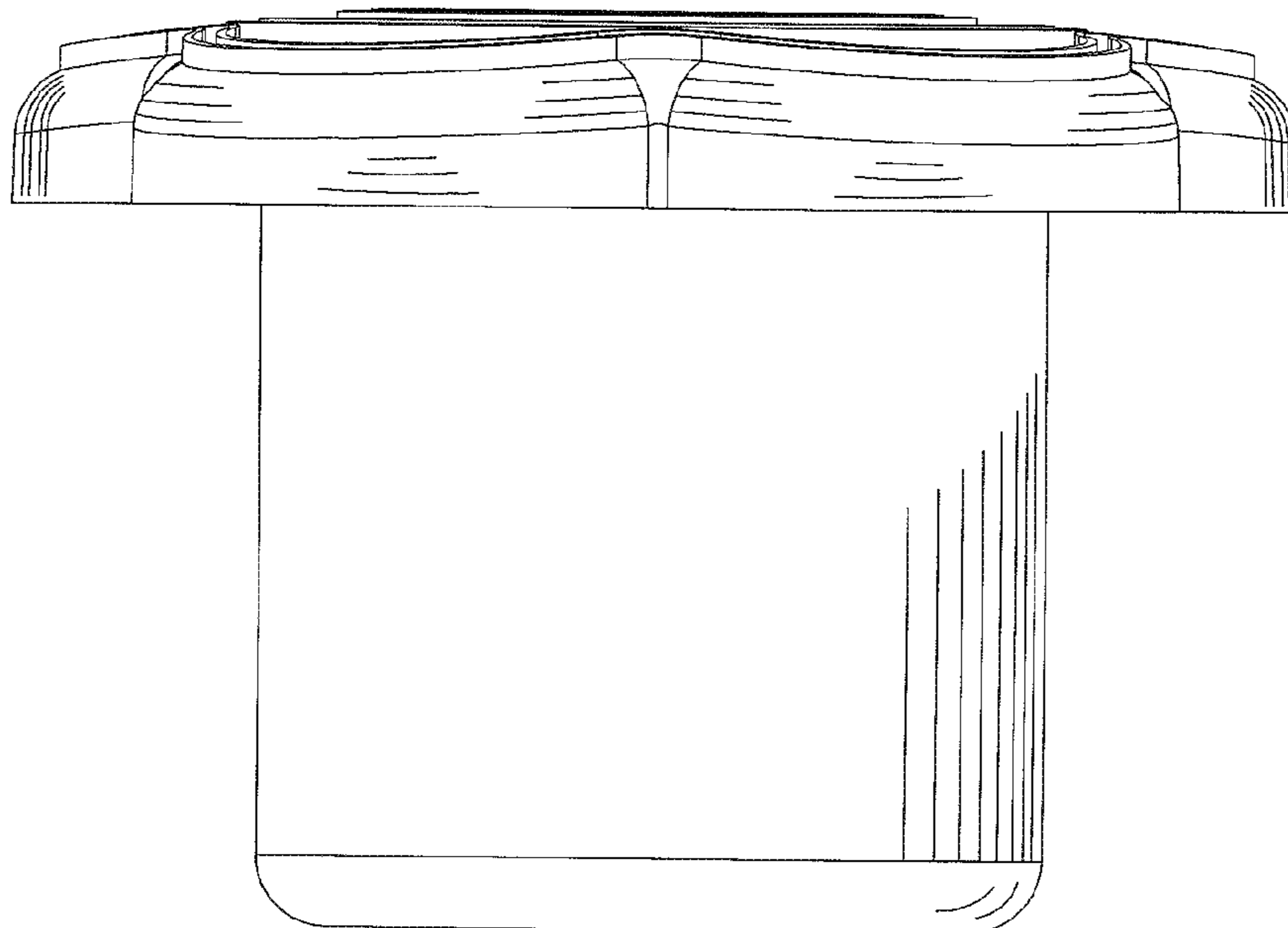
FIG. 1 is a perspective view of a speaker showing my design;  
FIG. 2 is a front elevational view thereof;  
FIG. 3 is a rear elevational view thereof;  
FIG. 4 is a left side elevational view thereof;  
FIG. 5 is a right side elevational view thereof;  
FIG. 6 is a top plan view thereof; and,  
FIG. 7 is a bottom plan view thereof.

**1 Claim, 7 Drawing Sheets**

(56) **References Cited**

**U.S. PATENT DOCUMENTS**

- D158,449 S \* 5/1950 Ethington ..... D14/207
- 4,620,317 A \* 10/1986 Anderson ..... H04R 1/345  
181/155



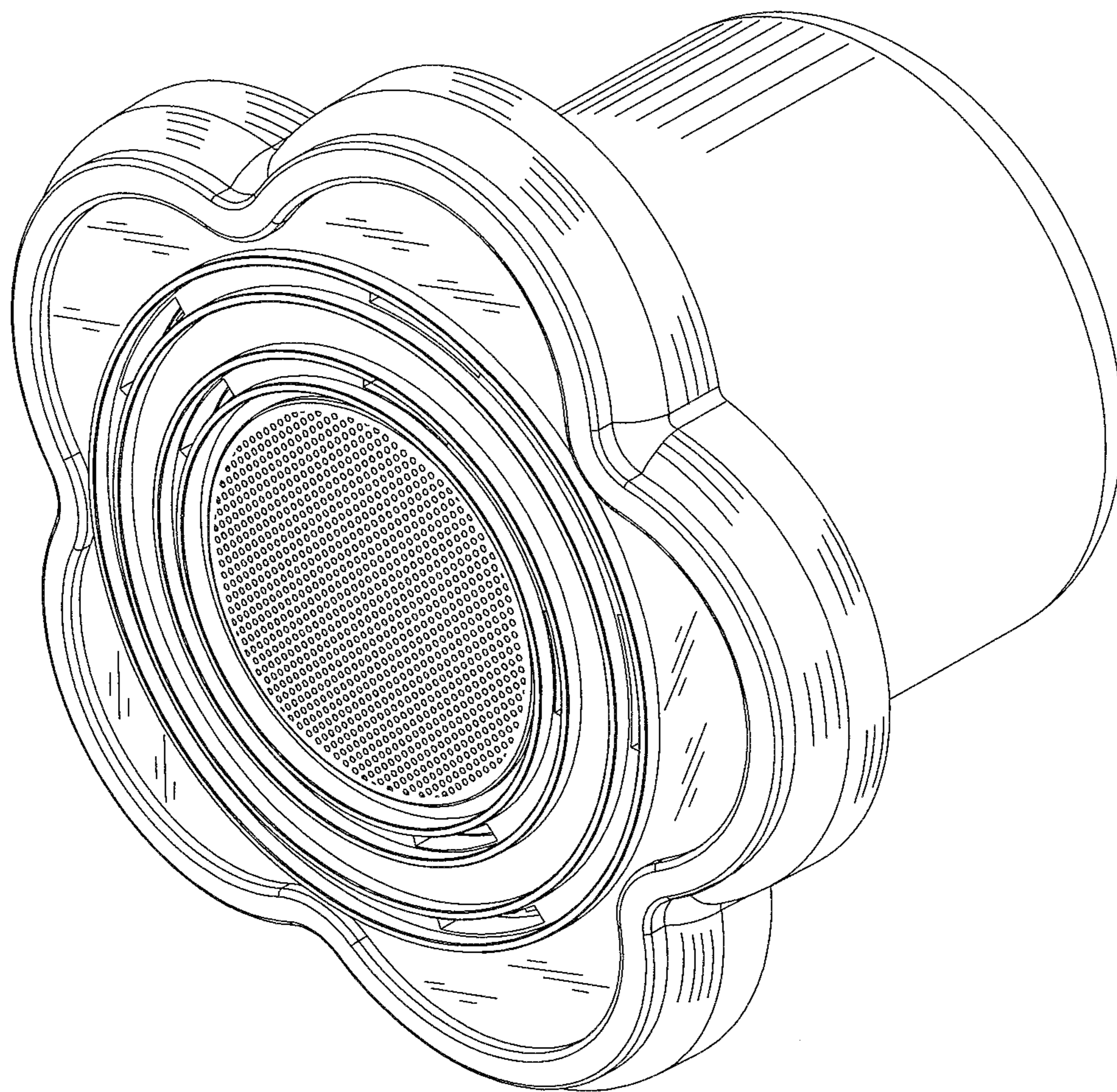


FIG. 1



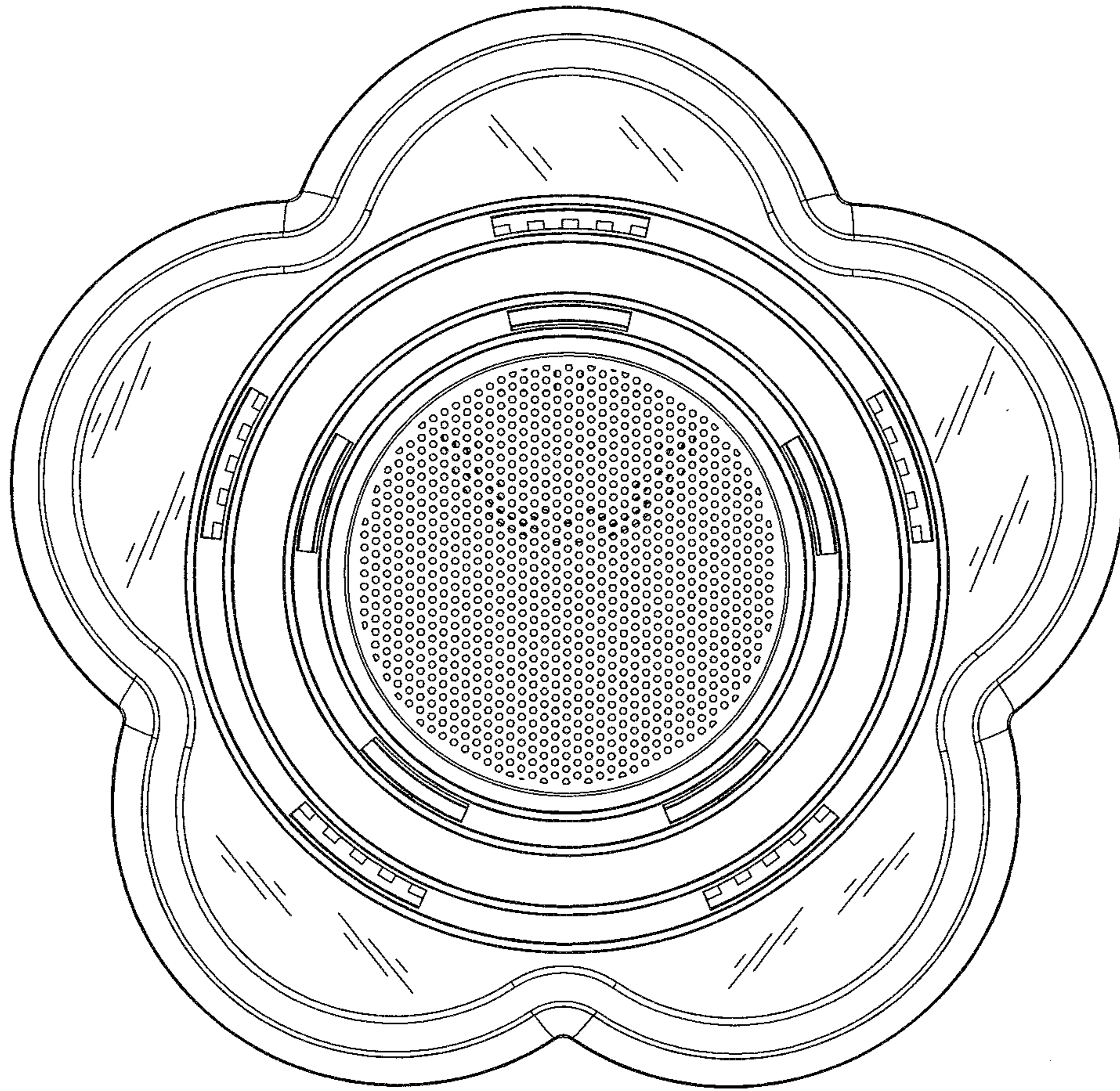


FIG. 2

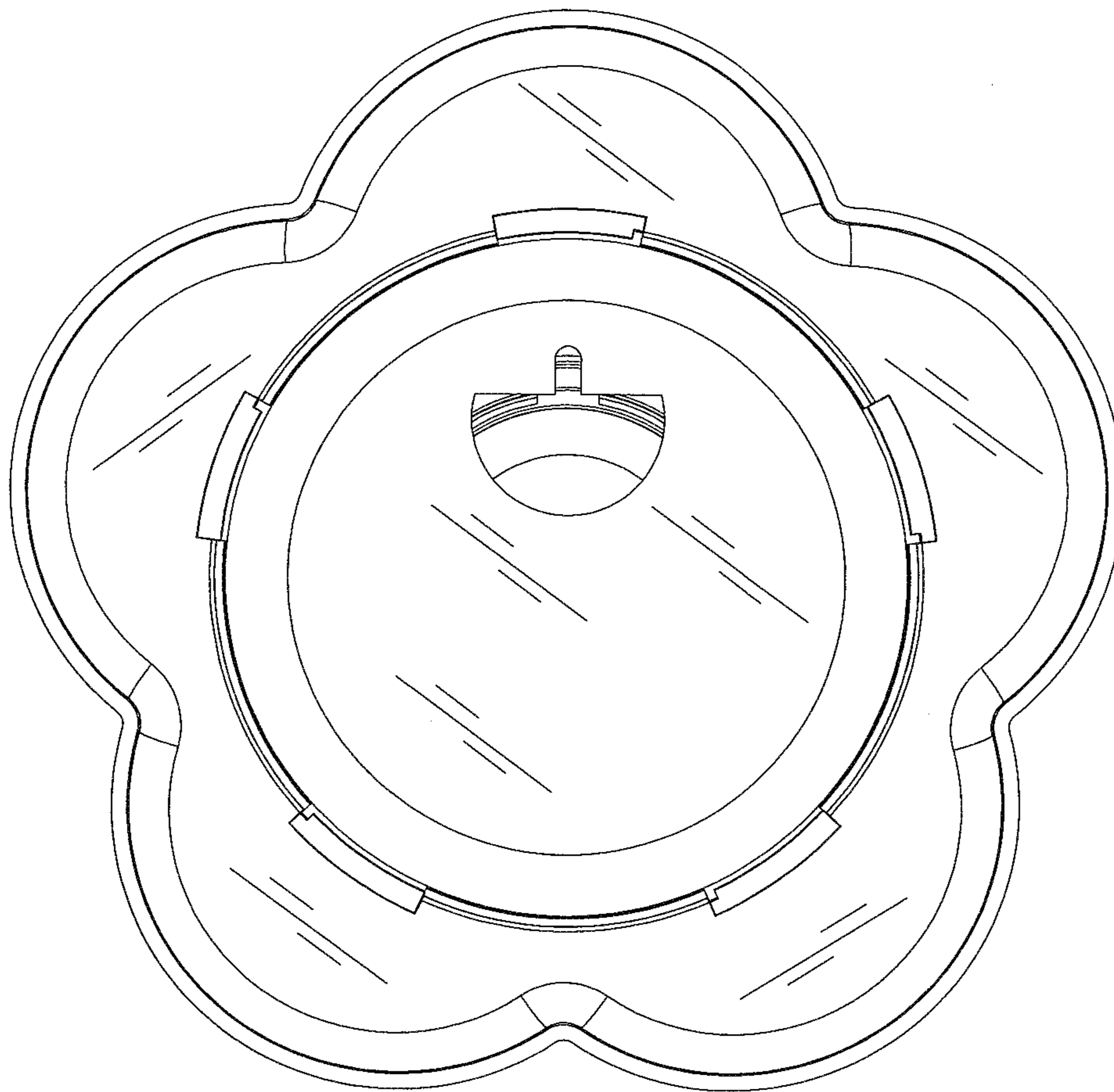


FIG. 3

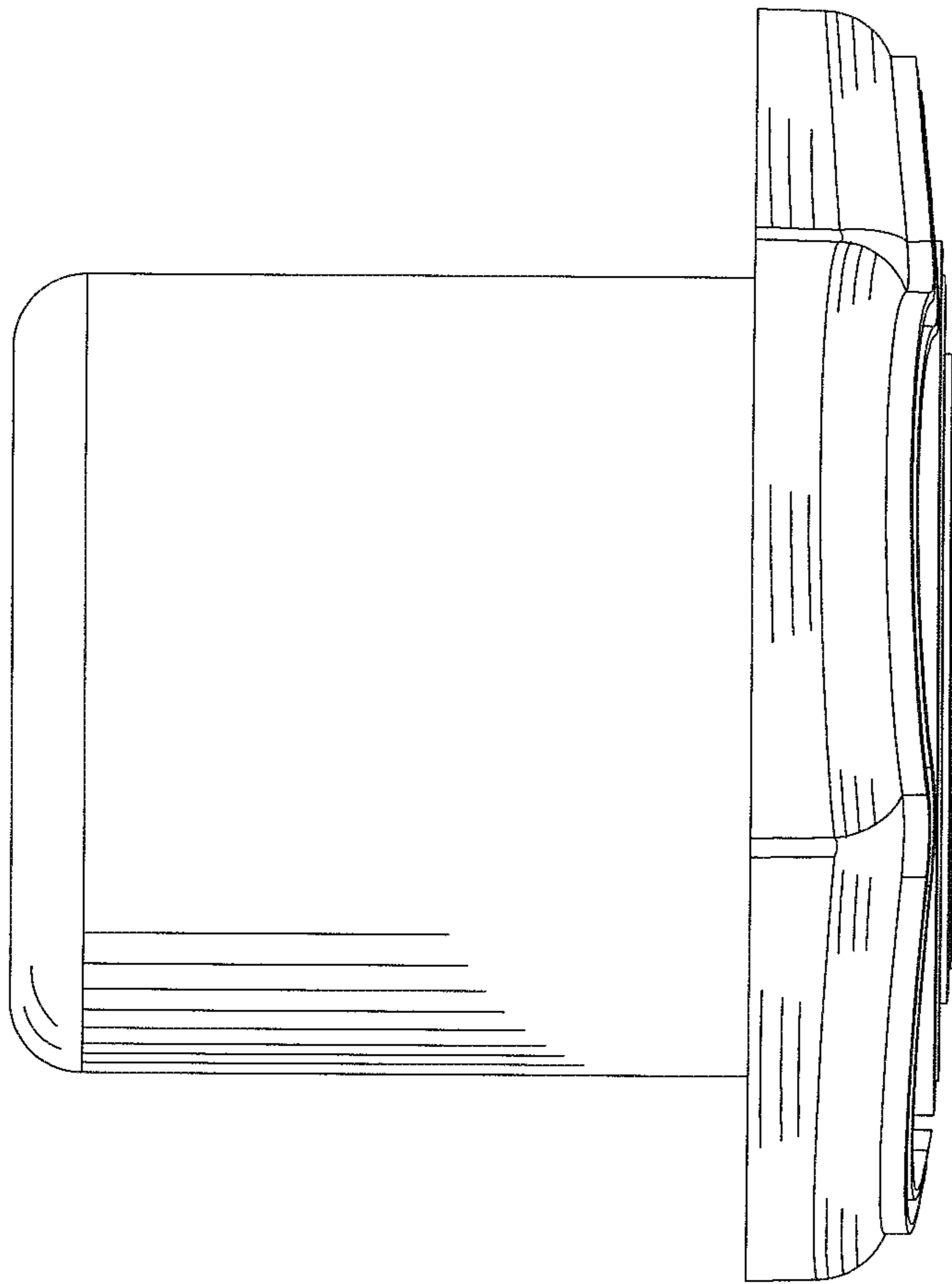


FIG. 4

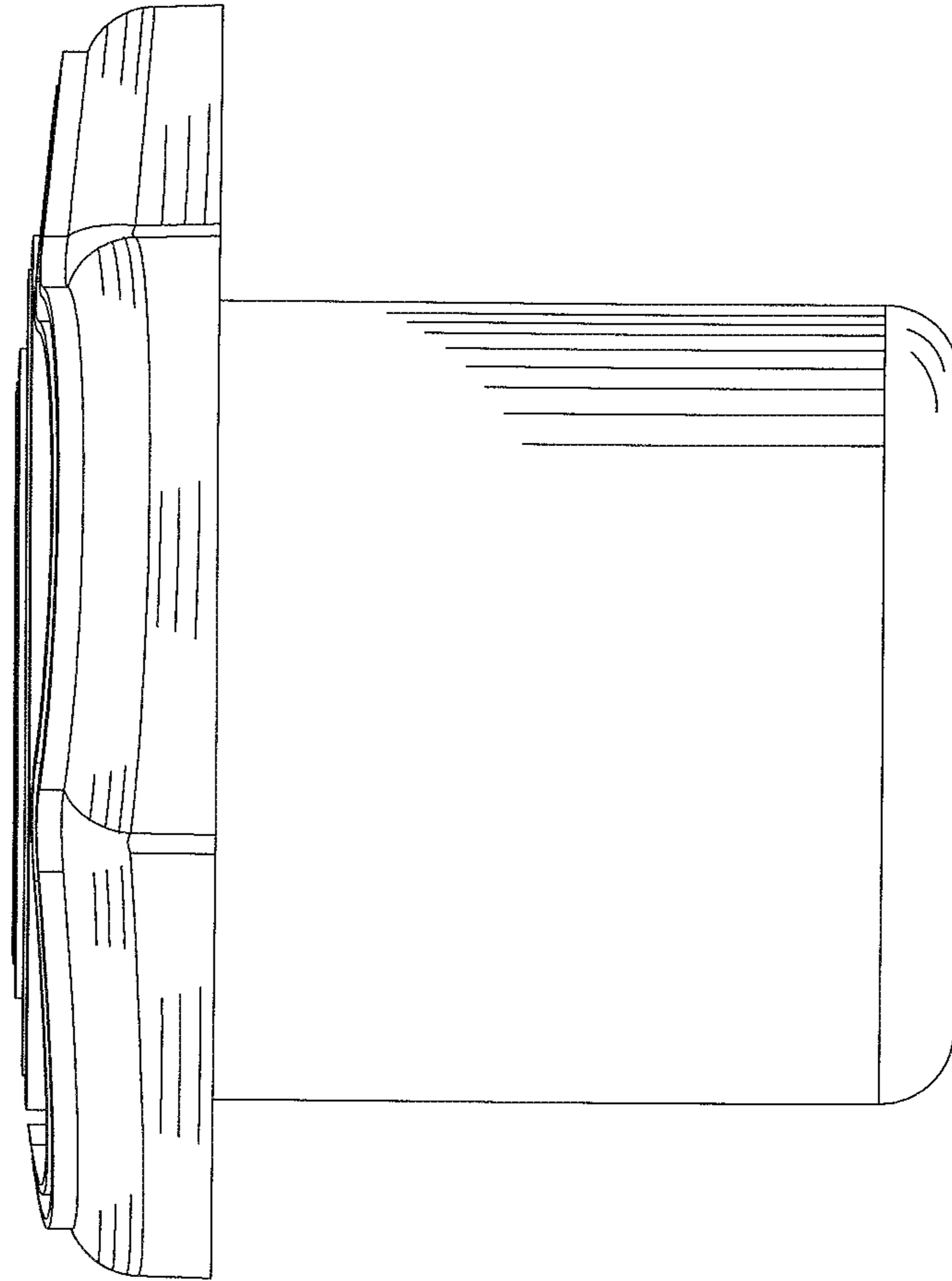


FIG. 5

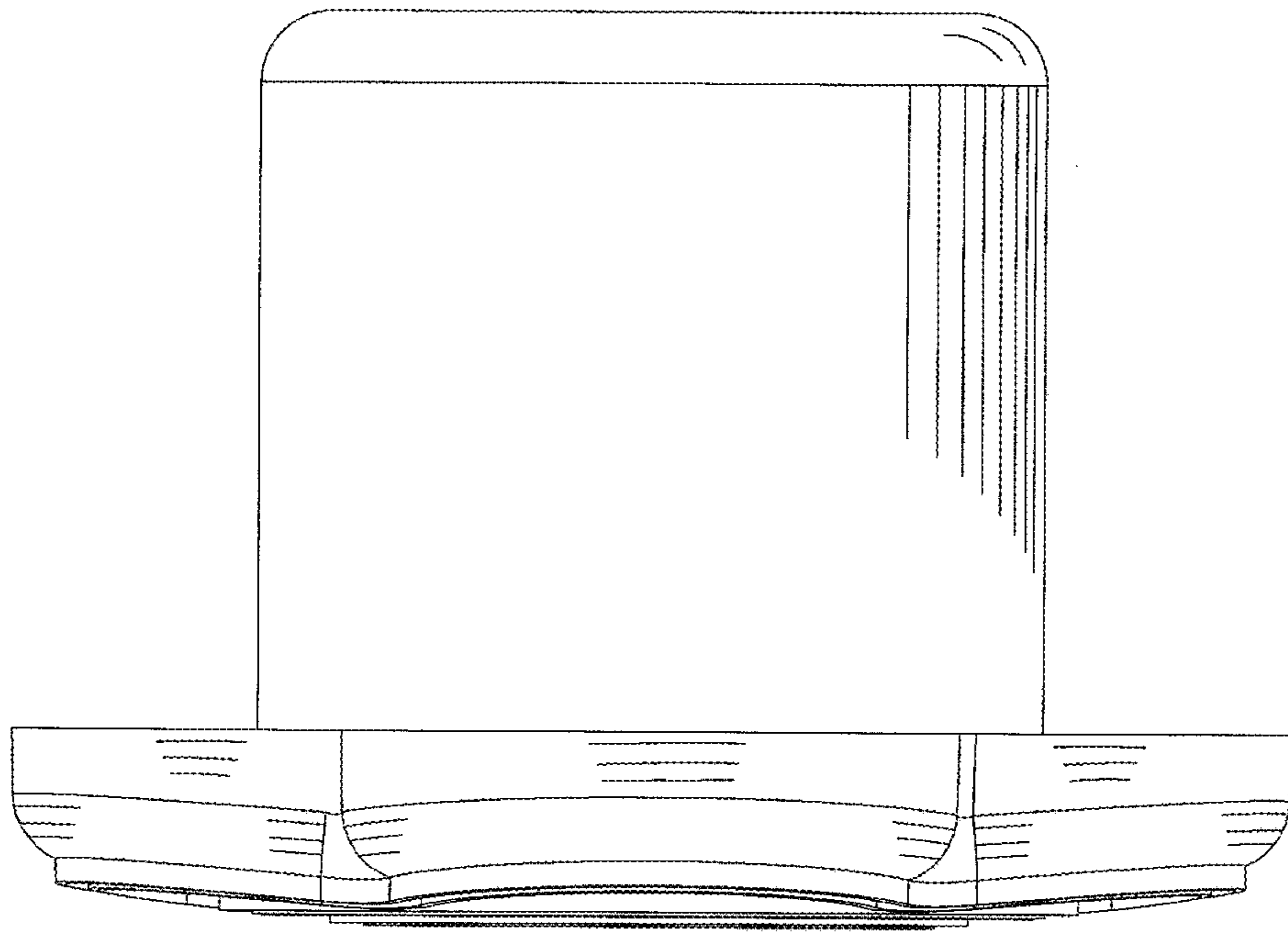


FIG. 6

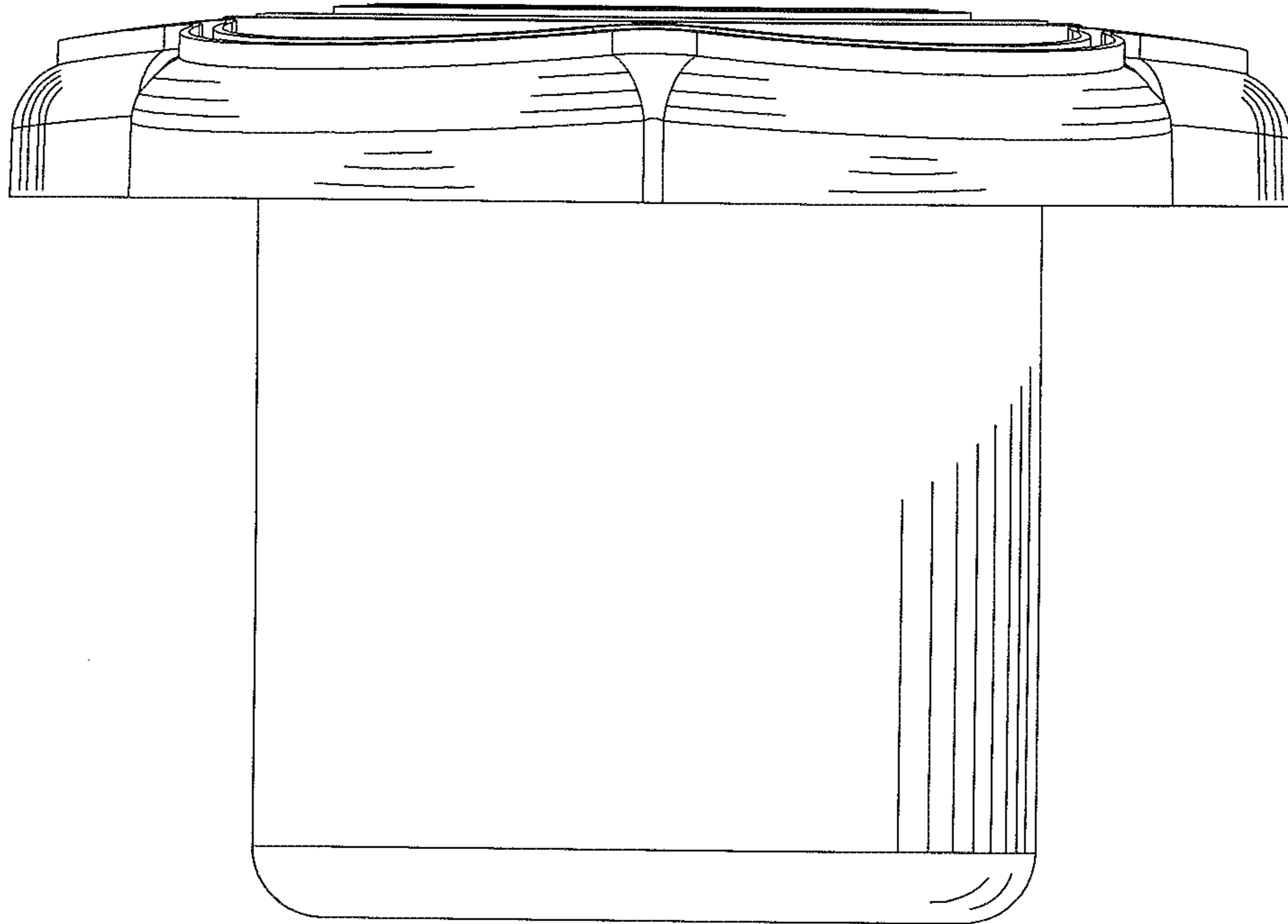


FIG. 7