



US00D783572S

(12) **United States Design Patent**
Matthews

(10) **Patent No.:** **US D783,572 S**

(45) **Date of Patent:** **** Apr. 11, 2017**

(54) **HEADPHONE**

(71) Applicant: **FOCAL JMLAB**, La Talaudiere (FR)

(72) Inventor: **Simon Matthews**, London (GB)

(73) Assignee: **FOCAL JMLAB**, La Talaudiere (FR)

(**) Term: **15 Years**

(21) Appl. No.: **29/545,376**

(22) Filed: **Nov. 12, 2015**

(30) **Foreign Application Priority Data**

Jun. 25, 2015 (EM) 002726174-0002

(51) **LOC (10) Cl.** **14-01**

(52) **U.S. Cl.**
USPC **D14/205**

(58) **Field of Classification Search**
USPC D14/205, 188, 192; D29/112; 2/209;
181/129, 130, 135; 379/430, 431;
381/380, 381, 370, 374, 378-379,
381/383-384, 345

CPC H04R 1/1066; H04R 1/1016; H04R 1/10;
H04R 1/105; H04R 5/033; H04R 5/0335;
H04R 25/00

See application file for complete search history.

(56) **References Cited**

U.S. PATENT DOCUMENTS

1,080,953 A * 12/1913 Catucci H04R 7/14
181/164
D185,505 S * 6/1959 Lowell D14/219
D235,149 S * 5/1975 Dascal D14/168
D246,519 S * 11/1977 Kato D14/205
D255,352 S * 6/1980 Besasie D14/205
4,385,209 A * 5/1983 Greason H04R 19/016
307/400
D345,163 S * 3/1994 Yamatogi D14/205

D410,466 S * 6/1999 Mouri D14/205
D420,356 S * 2/2000 Suzuki D14/205
D435,249 S * 12/2000 Yasutomi D14/205
D464,630 S * 10/2002 Woodworth D13/171
D467,895 S * 12/2002 Hirano D14/192
6,625,819 B1 * 9/2003 Tsai A61F 11/14
181/129
D484,485 S * 12/2003 Matsuoka D14/205
6,772,853 B2 * 8/2004 Yang H04R 1/1066
181/129
D508,908 S * 8/2005 Chueh D14/205
D510,335 S * 10/2005 Suzuki D14/205
D517,527 S * 3/2006 Suzuki D14/205
D538,261 S * 3/2007 Taylor D14/205
D567,215 S * 4/2008 Lee D14/205
7,388,960 B2 * 6/2008 Kuo H04R 1/1041
379/430
7,412,070 B2 * 8/2008 Kleinschmidt H04R 1/1083
381/370
7,457,649 B1 * 11/2008 Wilson H04R 1/1025
379/428.02
D589,492 S * 3/2009 Mistry D14/205

(Continued)

Primary Examiner — Paula Greene

(74) *Attorney, Agent, or Firm* — Burr & Brown, PLLC

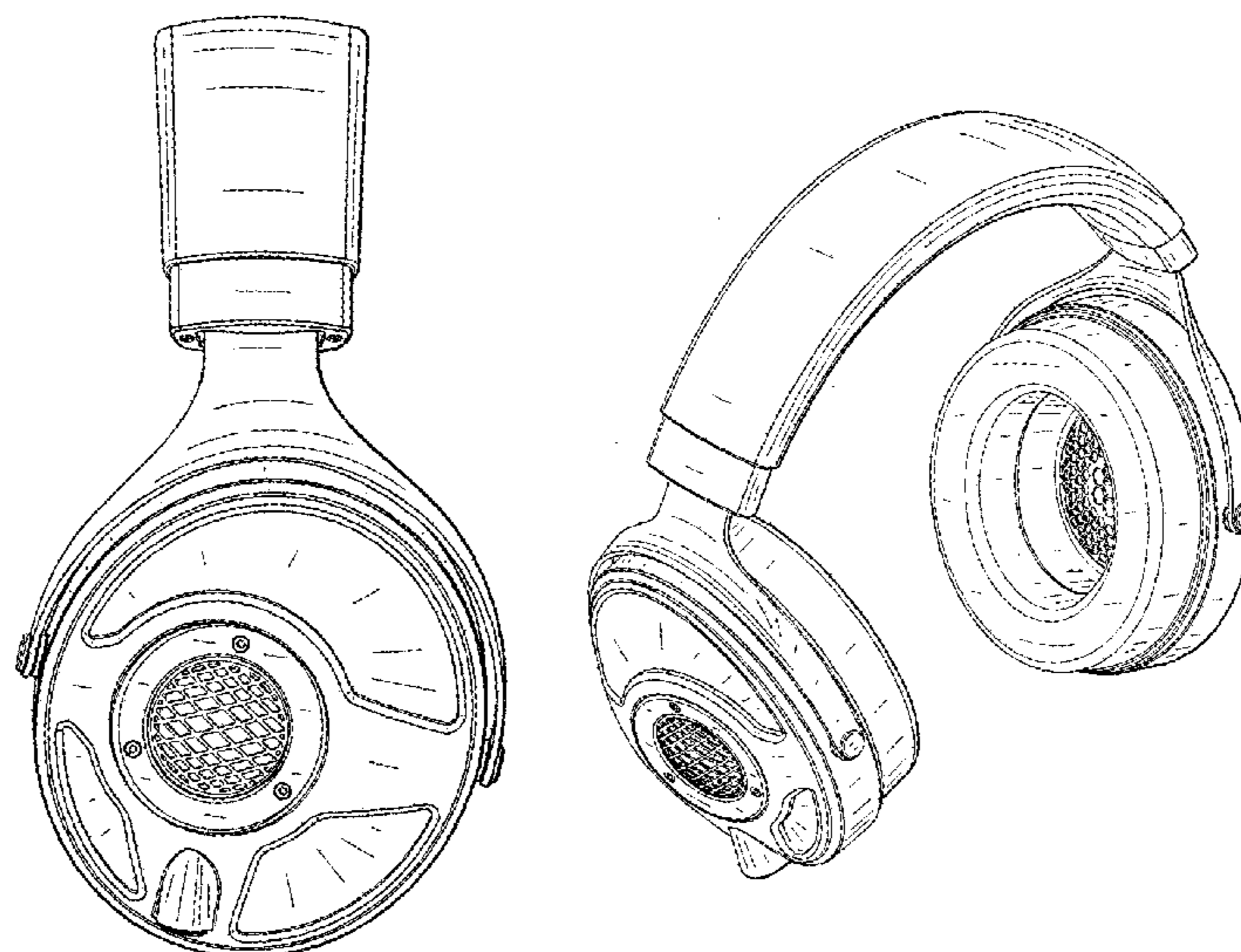
(57) **CLAIM**

The ornamental design for a headphone, as shown and described.

DESCRIPTION

FIG. 1 is a front view of a headphone illustrating my new design;
FIG. 2 is a rear view thereof;
FIG. 3 is a right side view thereof;
FIG. 4 is a left side view thereof;
FIG. 5 is a top view thereof;
FIG. 6 is a bottom view thereof; and,
FIG. 7 is a perspective view thereof, the opposite interior front face of the headphone ear cup is the same.

1 Claim, 7 Drawing Sheets



(56)

References Cited

U.S. PATENT DOCUMENTS

D592,640 S *	5/2009	Tkachuk	D14/205	D716,760 S *	11/2014	Brunner	D14/206
D604,266 S *	11/2009	Milde	D14/205	9,002,026 B2 *	4/2015	Lin	H04R 1/1008
D637,176 S *	5/2011	Brunner	D14/205					381/370
D657,776 S *	4/2012	Lee	D14/205	D728,512 S *	5/2015	Nakagawa	D14/205
D662,490 S *	6/2012	McSweyn	D14/205	D734,296 S *	7/2015	Paterson	D14/205
D673,519 S *	1/2013	Tan	D14/205	D752,017 S *	3/2016	Daniel	D14/205
D673,520 S *	1/2013	Tan	D14/205	9,344,794 B1 *	5/2016	Blonder	H04R 1/1066
D677,647 S *	3/2013	Lee	D14/205	D765,055 S *	8/2016	Hsieh	D14/205
D689,843 S *	9/2013	Lee	D14/205	D765,056 S *	8/2016	Yang	D14/205
D690,284 S *	9/2013	Brennwald	D14/205	2008/0037816 A1 *	2/2008	Lee	H04R 5/0335
D691,579 S *	10/2013	Lee	D14/205					381/379
D692,410 S *	10/2013	Brunner	H04S 1/005	2009/0279729 A1 *	11/2009	Huang	H04R 1/1016
				D14/206					381/345
D693,791 S *	11/2013	Troy	D14/205	2013/0177195 A1 *	7/2013	Sze	H04R 1/1033
D696,226 S *	12/2013	Brunner	H04R 5/033					381/384
				D14/205	2013/0343591 A1 *	12/2013	Brunner	H04R 1/1066
8,818,011 B2 *	8/2014	Chen	H04R 1/1083					381/371
				381/370	2016/0212519 A1 *	7/2016	Henderson	H04R 1/10

* cited by examiner

FIG. 1



FIG. 2



FIG. 3

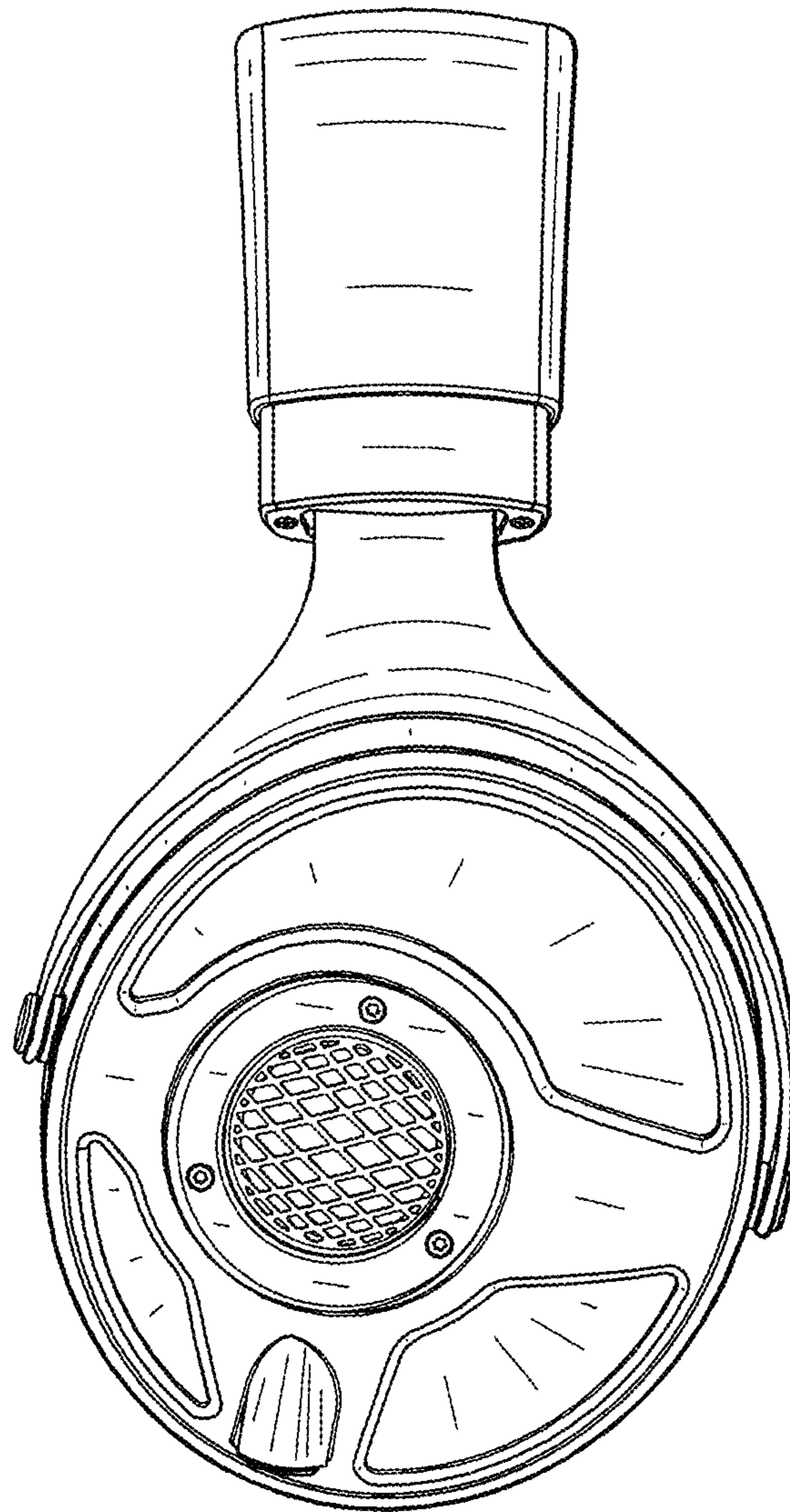


FIG. 4

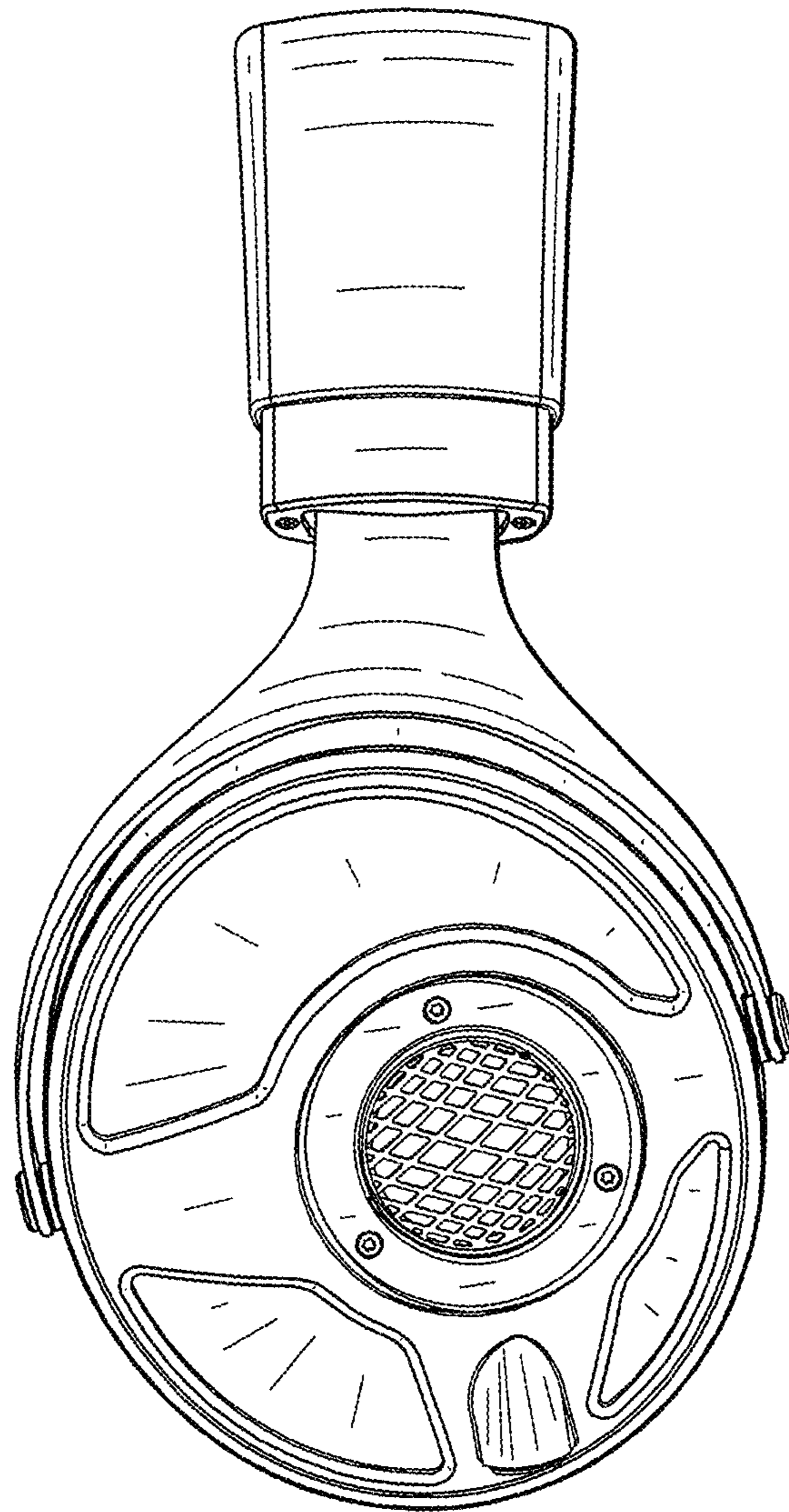


FIG. 5

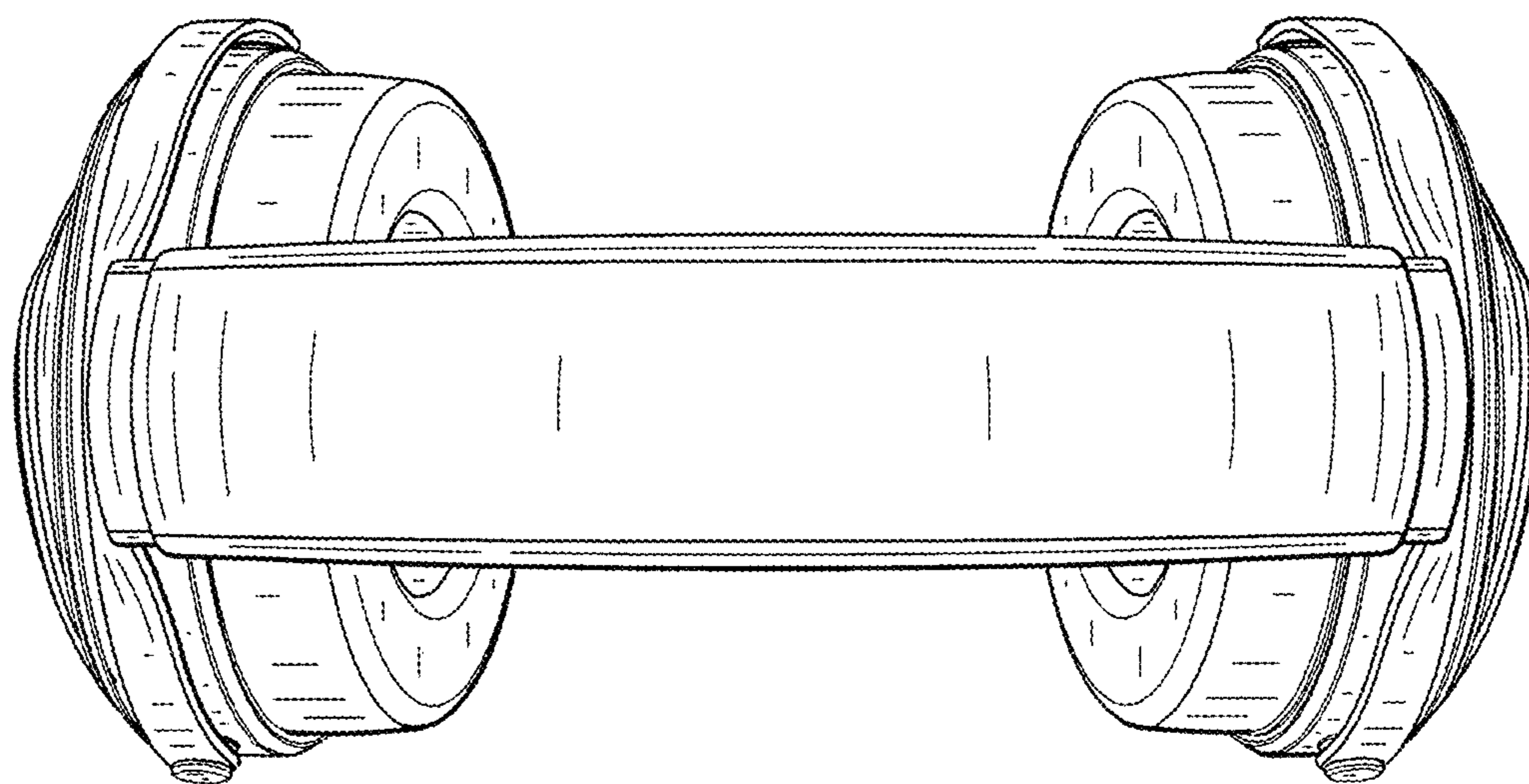


FIG. 6

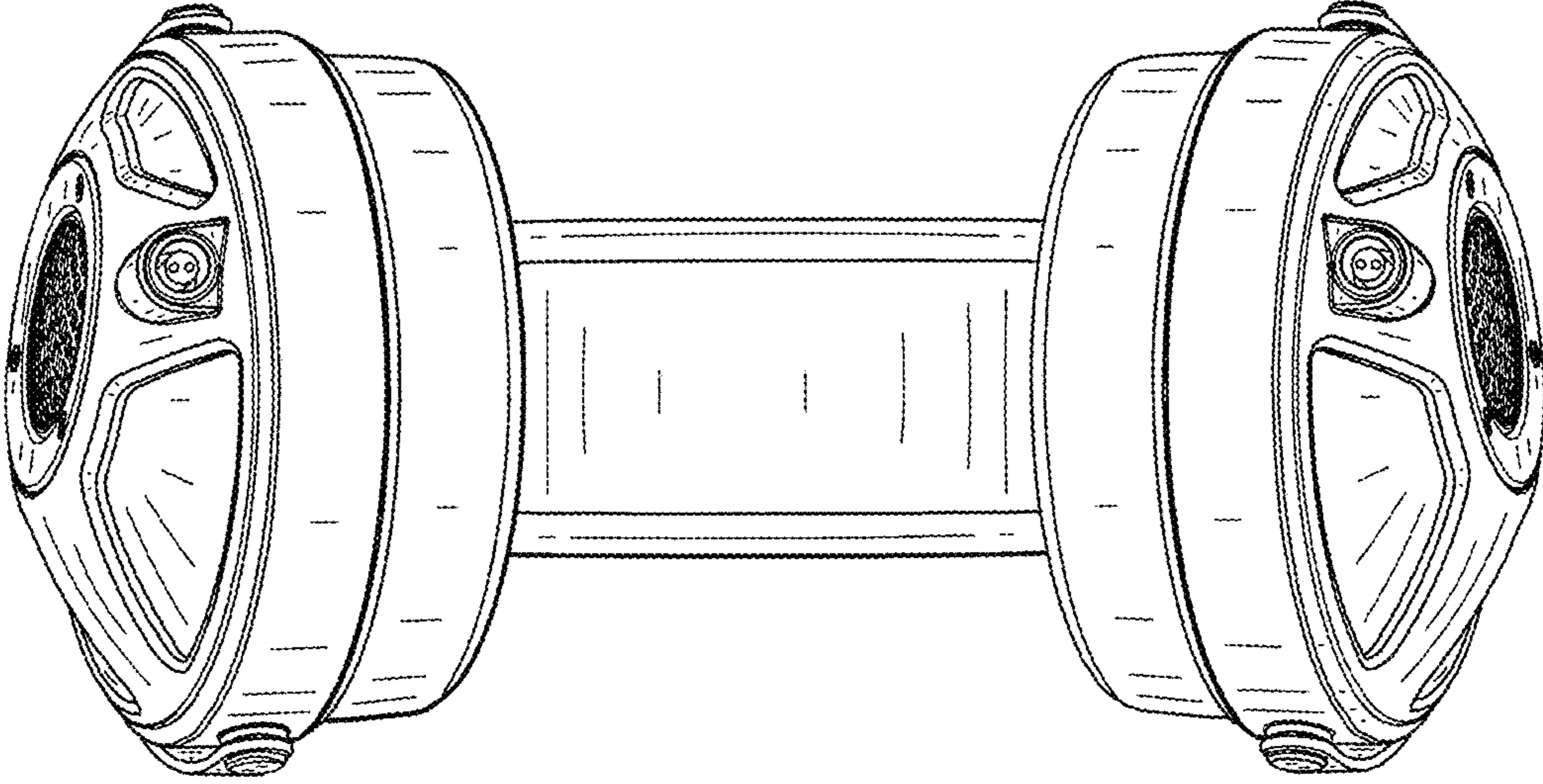


FIG. 7

