



US00D783568S

(12) **United States Design Patent** (10) **Patent No.:** **US D783,568 S**
Pista et al. (45) **Date of Patent:** **** Apr. 11, 2017**

(54) **MOUNTABLE PHONE**

(71) Applicant: **Cisco Technology, Inc.**, San Jose, CA (US)

(72) Inventors: **Alex Pista**, San Jose, CA (US);
Michael Lenz, Lake Oswego, OR (US);
Paolo Sandro Trevisan, Miami, FL (US);
Francisco Barboza, Miami, FL (US)

(73) Assignee: **Cisco Technology, Inc.**, San Jose, CA (US)

(**) Term: **15 Years**

(21) Appl. No.: **29/552,280**

(22) Filed: **Jan. 21, 2016**

(51) **LOC (10) Cl.** **14-03**

(52) **U.S. Cl.**
USPC **D14/144; D14/248**

(58) **Field of Classification Search**
USPC D14/140, 140.1, 140.3, 142, 144, 148,
D14/188, 217, 240, 243, 247, 248, 251,
D14/252, 253, 299, 329, 138 G, 138 AA;
D21/517; D13/107, 108, 162; 379/21,
379/325, 328, 330, 369, 370, 426, 449,
379/450, 455, 210.02; 710/303, 304
CPC H04M 1/00; H04M 1/003; H04M 1/02;
H04M 1/03; H04M 1/04; H04M 1/0202;
H04M 1/0214; H04M 1/0245; H04M
1/0264; H04M 1/0297; H04M 1/23
See application file for complete search history.

(56) **References Cited**

U.S. PATENT DOCUMENTS

D261,508 S * 10/1981 Pardo D14/147
D277,379 S * 1/1985 Cooke D14/147
D283,126 S * 3/1986 Marshall 379/434
D312,256 S * 11/1990 Blomberg D14/147

D321,184 S * 10/1991 Colida D14/138 AA
D326,449 S * 5/1992 Wachob D14/138 R
D346,171 S * 4/1994 Ratcliffe D14/248
D372,919 S * 8/1996 Nagele D14/248
D430,560 S * 9/2000 Carazon Climent D14/248
D496,015 S * 9/2004 Kettula D14/138 AA

(Continued)

OTHER PUBLICATIONS

Cell-Mate cellphone holder. craziestgadgets.com. (online image) 1 pg. Uploaded Jan. 2009. [retrieved on Oct. 25, 2016] <http://craziestgadgets.com/2009/01/08/worst-product-ever-cell-mate-hands-free-cellphone-holder/> IMG URL: <http://craziestgadgets.com/wp-content/uploads/2009/01/cell-mate.jpg>.*

(Continued)

Primary Examiner — Susan Bennett Hattan
Assistant Examiner — Marie Fast Horse
(74) *Attorney, Agent, or Firm* — Polsinelli LLP

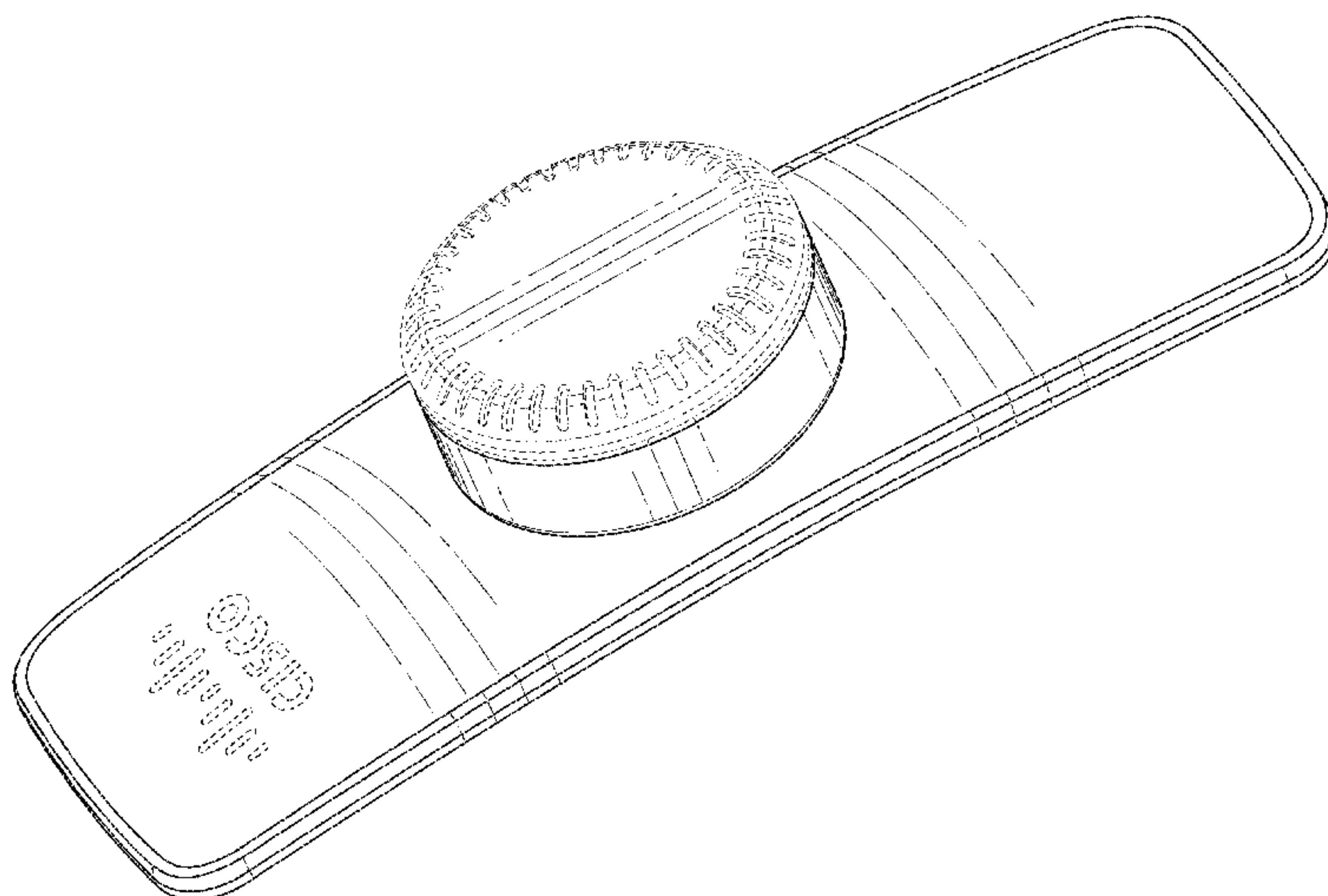
(57) **CLAIM**

We claim the ornamental design for a mountable phone, as shown and described.

DESCRIPTION

FIG. 1 is a perspective view of a mountable phone, showing our new design;
FIG. 2 is a left side elevational view thereof;
FIG. 3 is a right side elevational view thereof.
FIG. 4 is a front elevational view thereof;
FIG. 5 is a rear elevational view thereof;
FIG. 6 is a top plan view thereof;
FIG. 7 is a bottom plan view thereof;
FIG. 8 is a partially exploded, front-right perspective view thereof; and,
FIG. 9 is a partially exploded, rear-right perspective view thereof.
The broken lines in the drawings depict parts of the mountable phone that form no part of the claimed design.

1 Claim, 9 Drawing Sheets



(56)

References Cited

U.S. PATENT DOCUMENTS

D553,116 S * 10/2007 Franck D14/147
 D582,878 S * 12/2008 Kimura D14/138 AD
 D587,236 S * 2/2009 Haberl D14/147
 D589,928 S * 4/2009 Haspil D14/147
 D607,432 S * 1/2010 Waterman D14/147
 D620,915 S * 8/2010 Brabander D14/147
 D627,328 S * 11/2010 Harden D14/147
 D633,893 S * 3/2011 Harden D14/147
 D634,726 S * 3/2011 Harden D14/147
 D647,875 S * 11/2011 Chun D14/147
 D648,712 S * 11/2011 Brickstad D10/65
 D659,213 S * 5/2012 Schultz D21/759
 D677,238 S * 3/2013 Shioya D14/138 AA
 D684,148 S * 6/2013 Sei D14/240
 D695,732 S * 12/2013 Baumann D14/253
 D697,501 S * 1/2014 Fargeau D14/240
 D698,754 S * 2/2014 Vuillet D13/168
 8,725,210 B2 * 5/2014 Yang H04M 1/0254
 359/22
 D713,811 S * 9/2014 Isaacs D14/138 AA
 D714,272 S * 9/2014 Park D14/248
 D714,772 S * 10/2014 Rozzo D13/102

D715,791 S * 10/2014 Yu D14/253
 D718,270 S * 11/2014 Furuno D14/147
 D733,115 S * 6/2015 Aspinall D14/253
 D735,703 S * 8/2015 Reivo D14/248
 D736,754 S * 8/2015 Morgenroth D14/248
 D751,525 S * 3/2016 Lewis D14/148
 D754,637 S * 4/2016 Harper D14/206
 D764,430 S * 8/2016 Sovertkov D14/138 G
 D769,859 S * 10/2016 Herbst D14/253
 2008/0204978 A1 * 8/2008 Haspil H04M 1/6041
 361/601
 2015/0288407 A1 * 10/2015 Hernandez H04B 1/3888
 224/267
 2016/0147293 A1 * 5/2016 Park G06F 1/1656
 381/334
 2016/0277552 A1 * 9/2016 Scully H04M 1/0295

OTHER PUBLICATIONS

Hands Free Cell Phone Headset_NextGadgets. nextgadgets.net.
 (online) 4 pgs. Uploaded Apr. 5, 2014. [retrieved on Oct. 25, 2016]
<http://www.nextgadgets.net/hands-free-cell-phone-headset/>.*

* cited by examiner

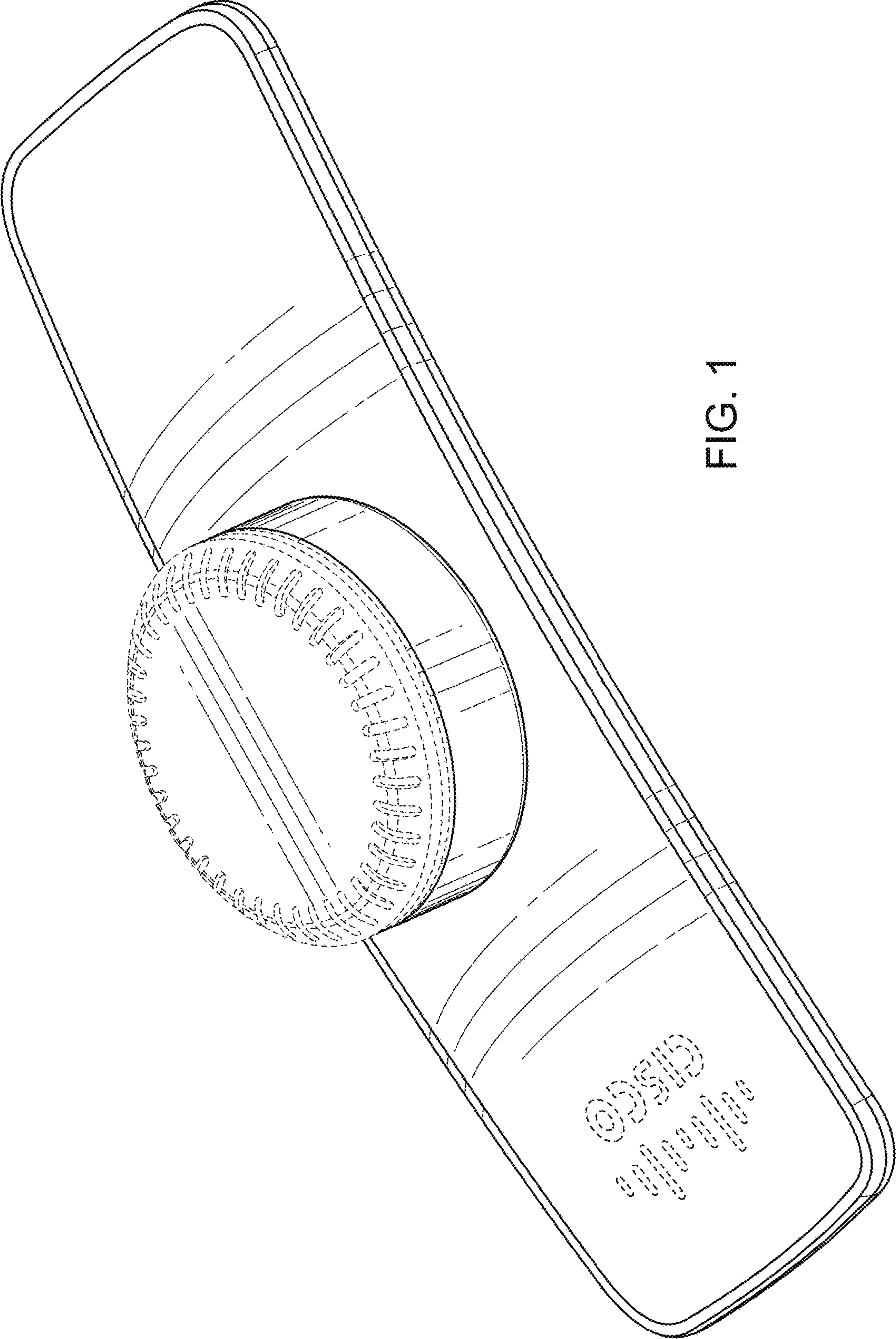


FIG. 1

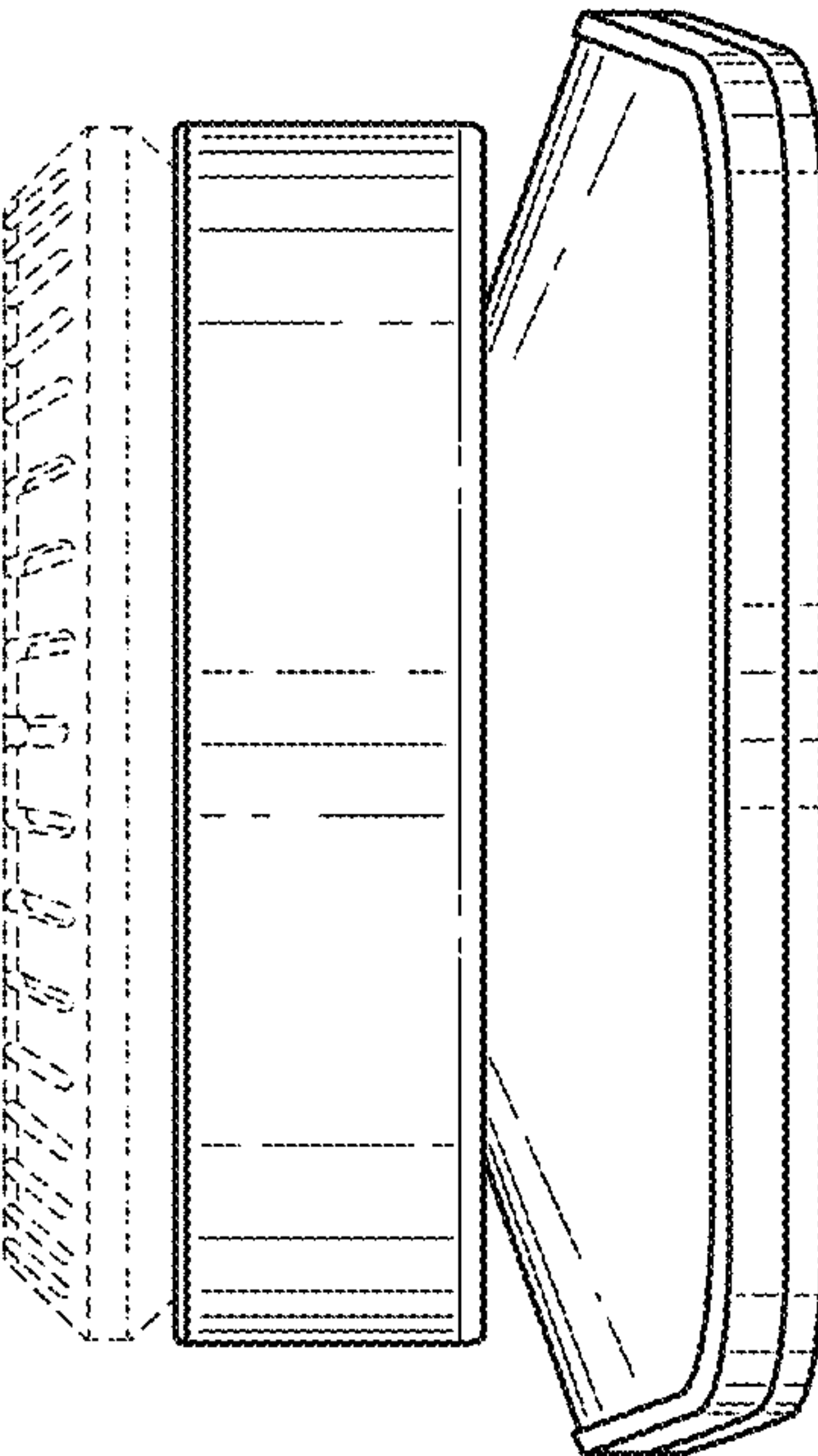


FIG. 2

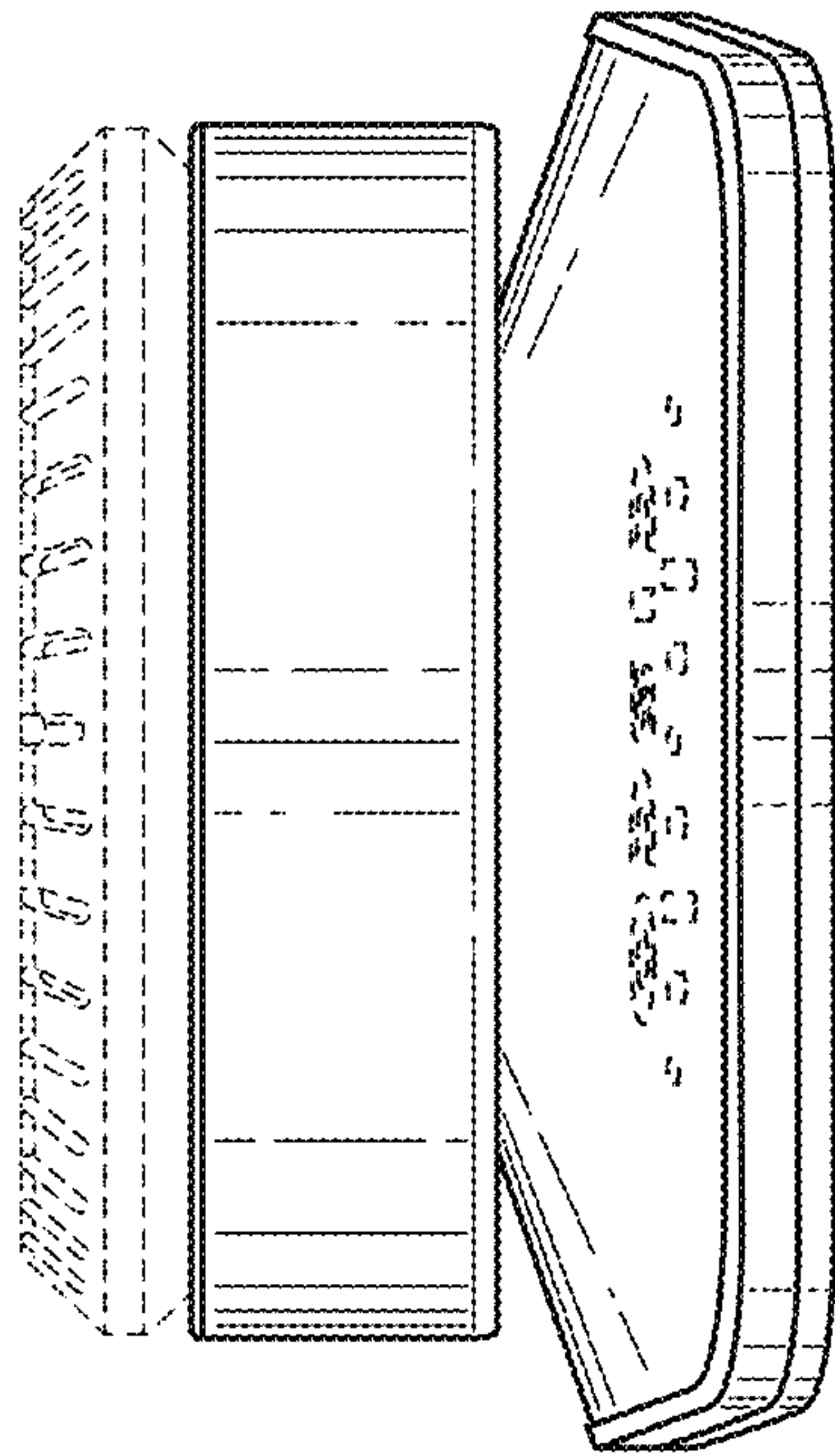


FIG. 3

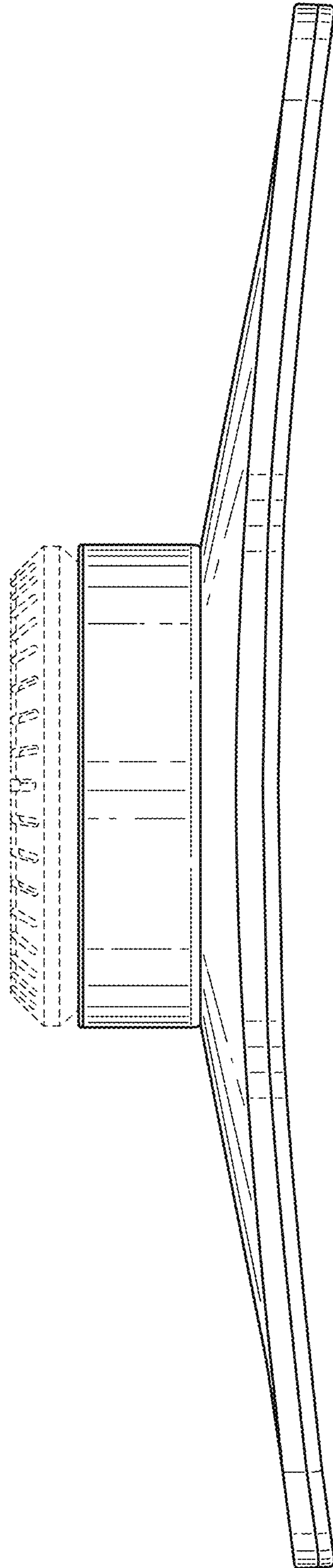


FIG. 4

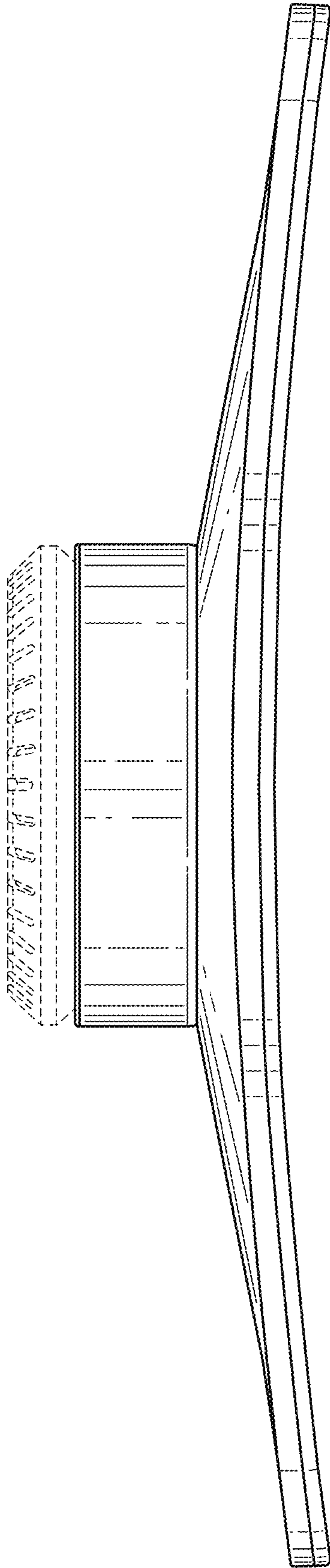


FIG. 5

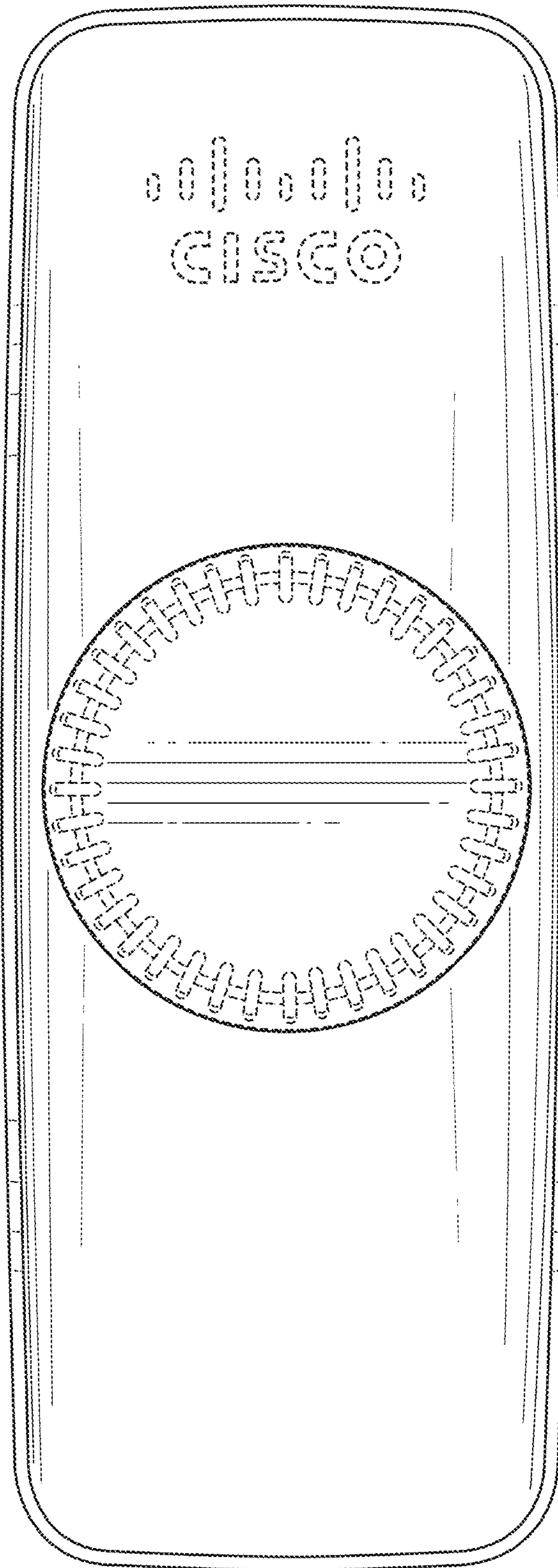


FIG. 6

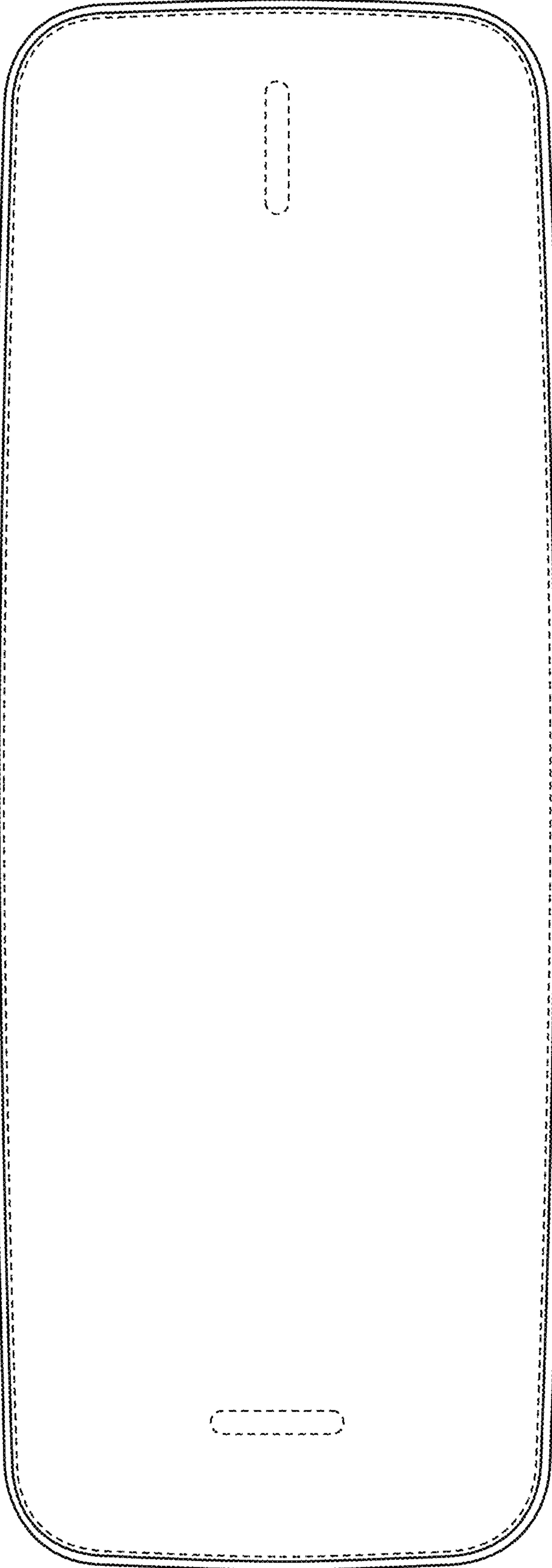


FIG. 7

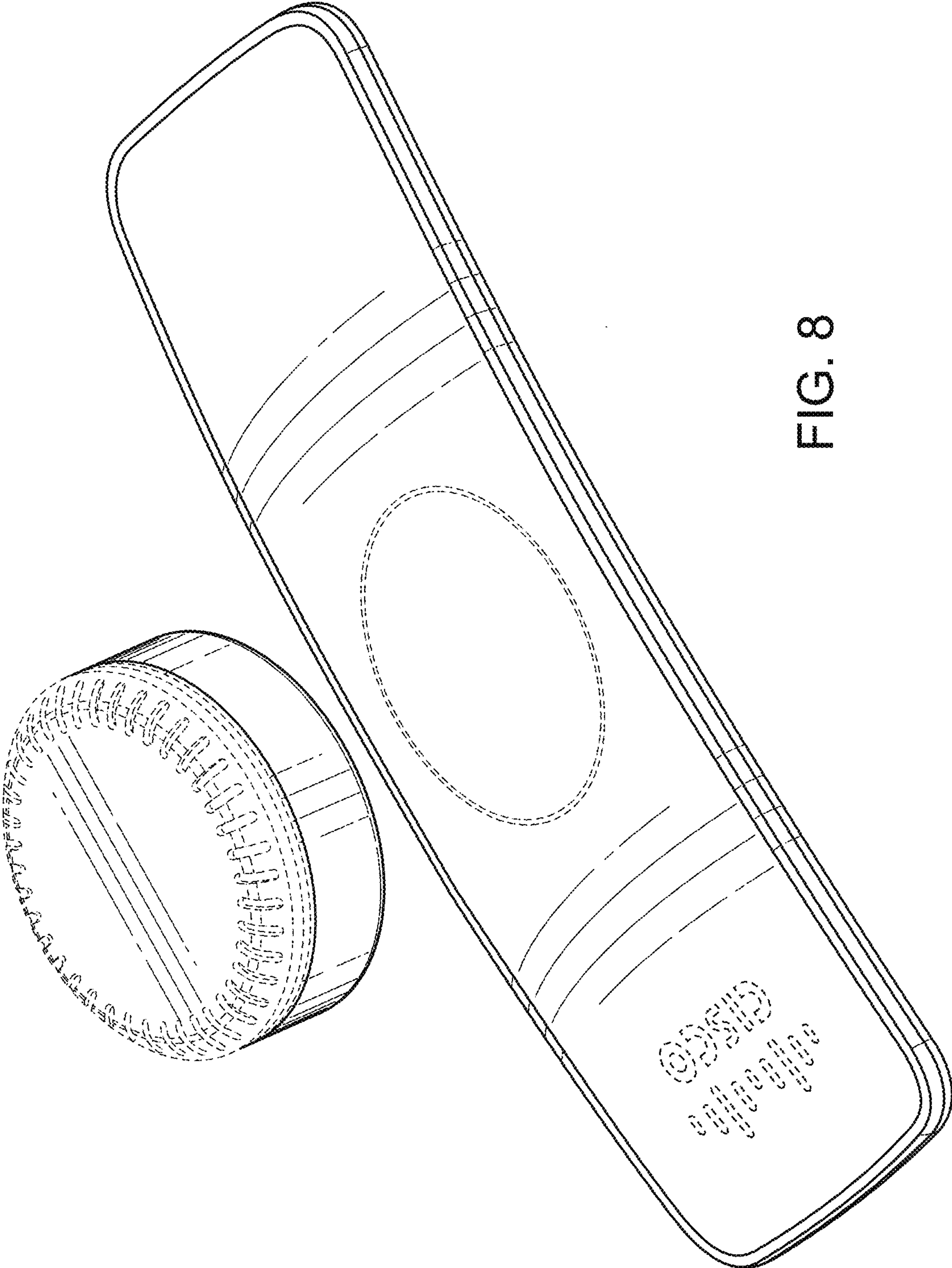


FIG. 8

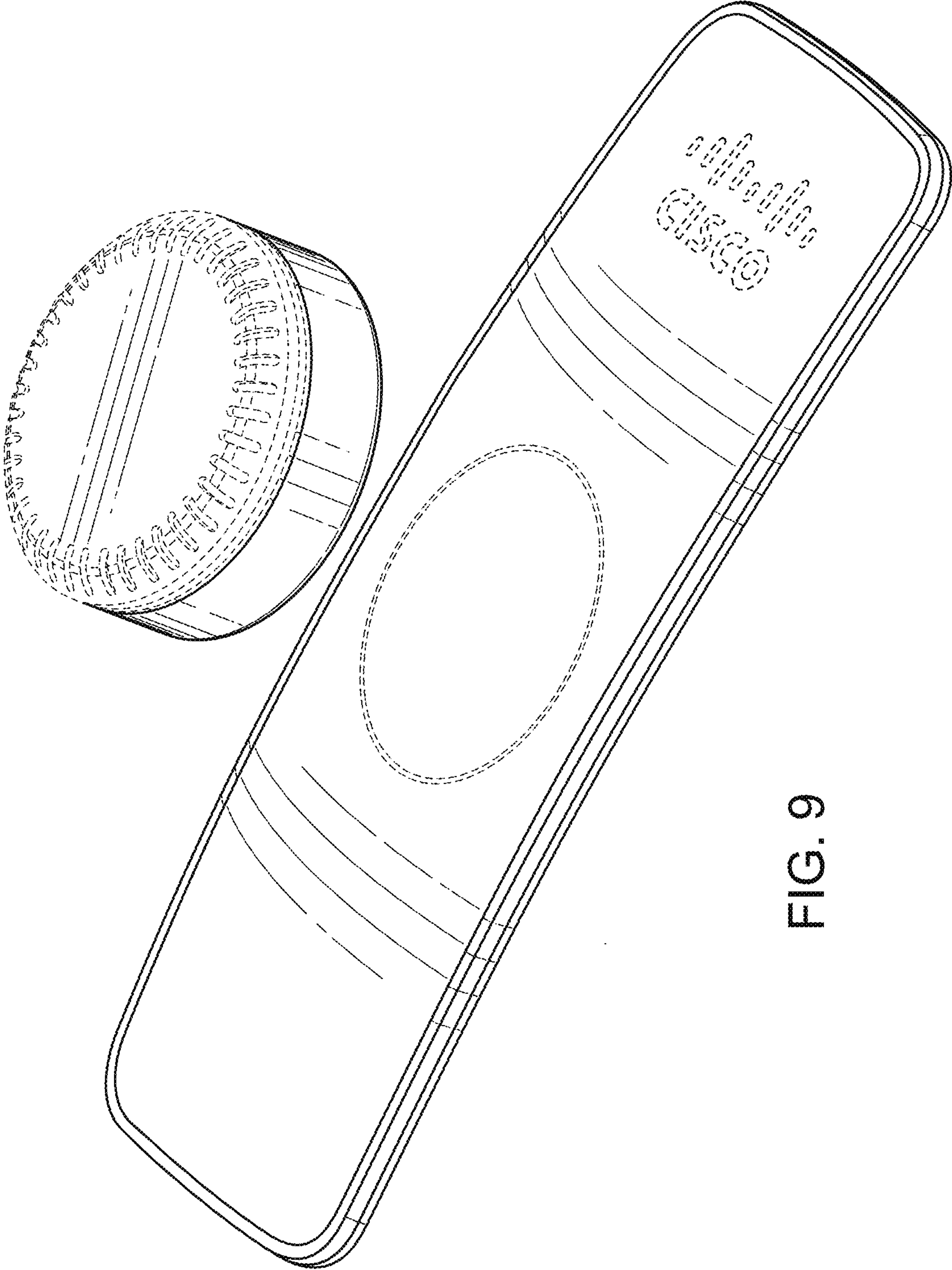


FIG. 9