



US00D783556S

(12) **United States Design Patent**  
**Woo et al.**

(10) **Patent No.:** **US D783,556 S**

(45) **Date of Patent:** **\*\* Apr. 11, 2017**

(54) **TELEVISION RECEIVER**

(56) **References Cited**

(71) Applicant: **Samsung Electronics Co., Ltd.**,  
Suwon-si (KR)

U.S. PATENT DOCUMENTS

(72) Inventors: **Byungmin Woo**, Bucheon-si (KR);  
**Minhee Lee**, Seoul (KR)

D620,901 S *	8/2010	Won	.....	D14/126
D643,390 S *	8/2011	Han	.....	D14/126
D644,620 S *	9/2011	Song	.....	D14/126
D656,471 S *	3/2012	Han	.....	D14/126
D669,870 S *	10/2012	Kim	.....	D14/126
D671,923 S *	12/2012	Seong	.....	D14/239
D680,508 S *	4/2013	Kim	.....	D14/126
D723,483 S *	3/2015	Lee	.....	D14/126

(73) Assignee: **SAMSUNG ELECTRONICS CO., LTD.**,  
Suwon-si (KR)

(\*\*) Term: **15 Years**

\* cited by examiner

(21) Appl. No.: **29/556,800**

*Primary Examiner* — Raphael Barkai

(22) Filed: **Mar. 3, 2016**

(74) *Attorney, Agent, or Firm* — McAndrews Held & Malloy, Ltd.

(30) **Foreign Application Priority Data**

Sep. 3, 2015 (KR) ..... 30-2015-0044727

(51) **LOC (10) Cl.** ..... **14-03**

(52) **U.S. Cl.**  
USPC ..... **D14/126**

(58) **Field of Classification Search**  
USPC ..... D14/125-134, 239, 371, 136, 374-377,  
D14/440, 450, 448, 336, 342, 159;  
312/7.2; 348/836, 838, 180, 184, 325,  
348/739; 248/917-924, 465; 345/104,  
345/133, 156, 168, 87, 173; D21/329,  
D21/515, 577, 622, 333, 433, 448, 452,  
D21/450, 331, 505; D10/15, 26;  
446/484, 175, 356; D6/477, 479, 300;  
D20/10, 19, 39; D16/203, 241; 160/24  
CPC .... G06F 1/1601; G06F 1/1643; G06F 1/1652;  
G06F 1/1647; G06F 3/0412; H05K  
5/0004; H05K 5/0017; H05K 5/02; H05K  
5/0217; H04N 13/0459

See application file for complete search history.

(57) **CLAIM**

The ornamental design for a television receiver, as shown and described.

**DESCRIPTION**

FIG. 1 is a front perspective view of a television receiver showing our new design;  
FIG. 2 is a front elevation view thereof;  
FIG. 3 is a rear elevation view thereof;  
FIG. 4 is a left side elevation view thereof;  
FIG. 5 is a right side elevation view thereof;  
FIG. 6 is a top plan view thereof;  
FIG. 7 is a bottom plan view thereof; and,  
FIG. 8 is a rear perspective view thereof.  
The dashed broken lines in the figures represent unclaimed portions of the television receiver and form no part of the claimed design.

**1 Claim, 7 Drawing Sheets**

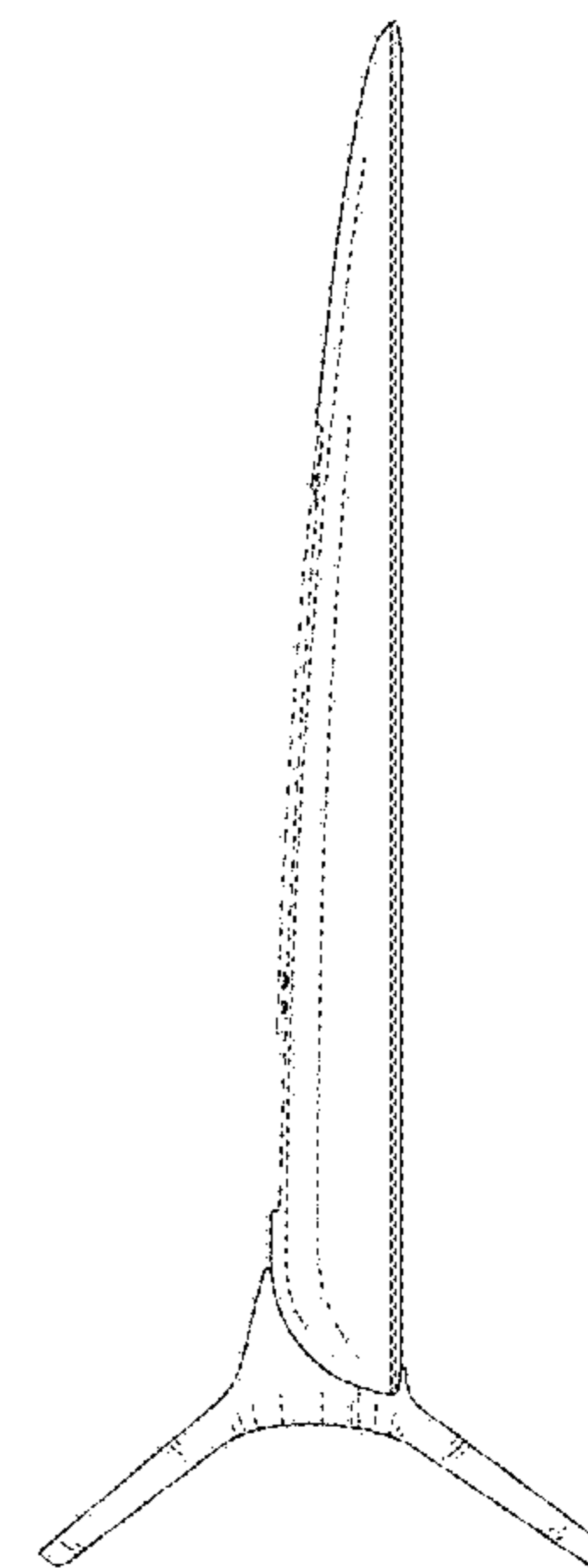
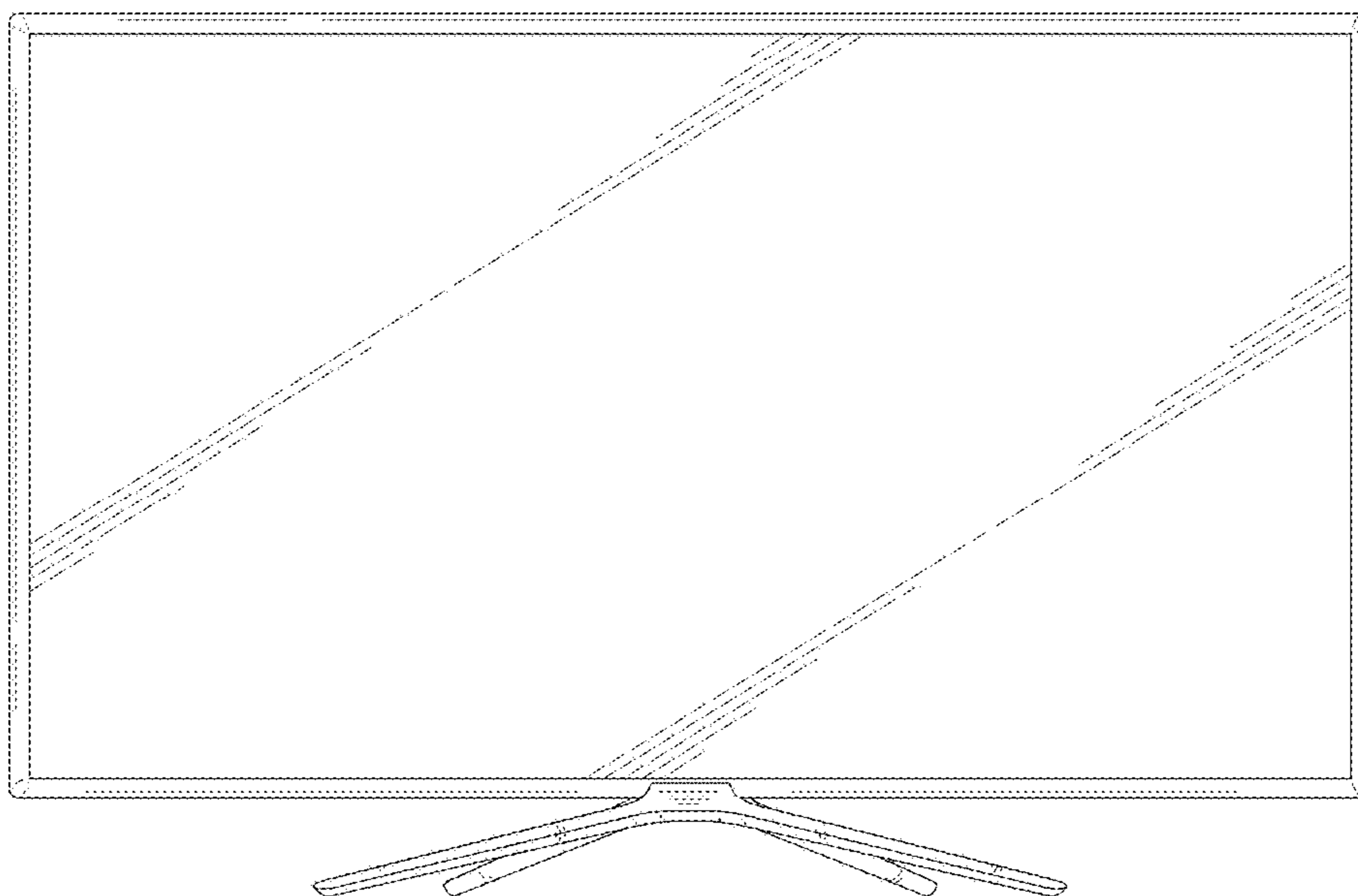


FIG. 1

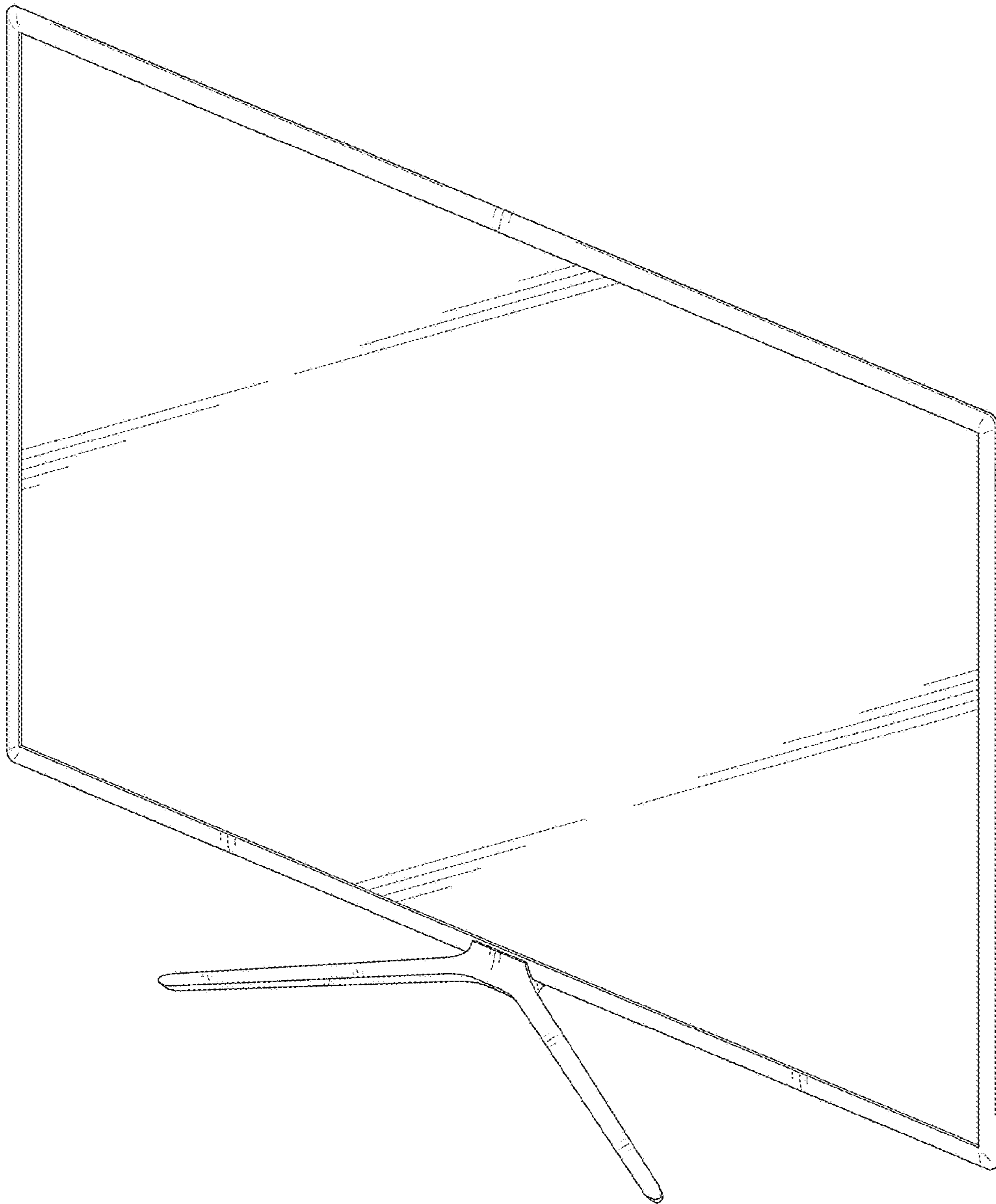


FIG. 2

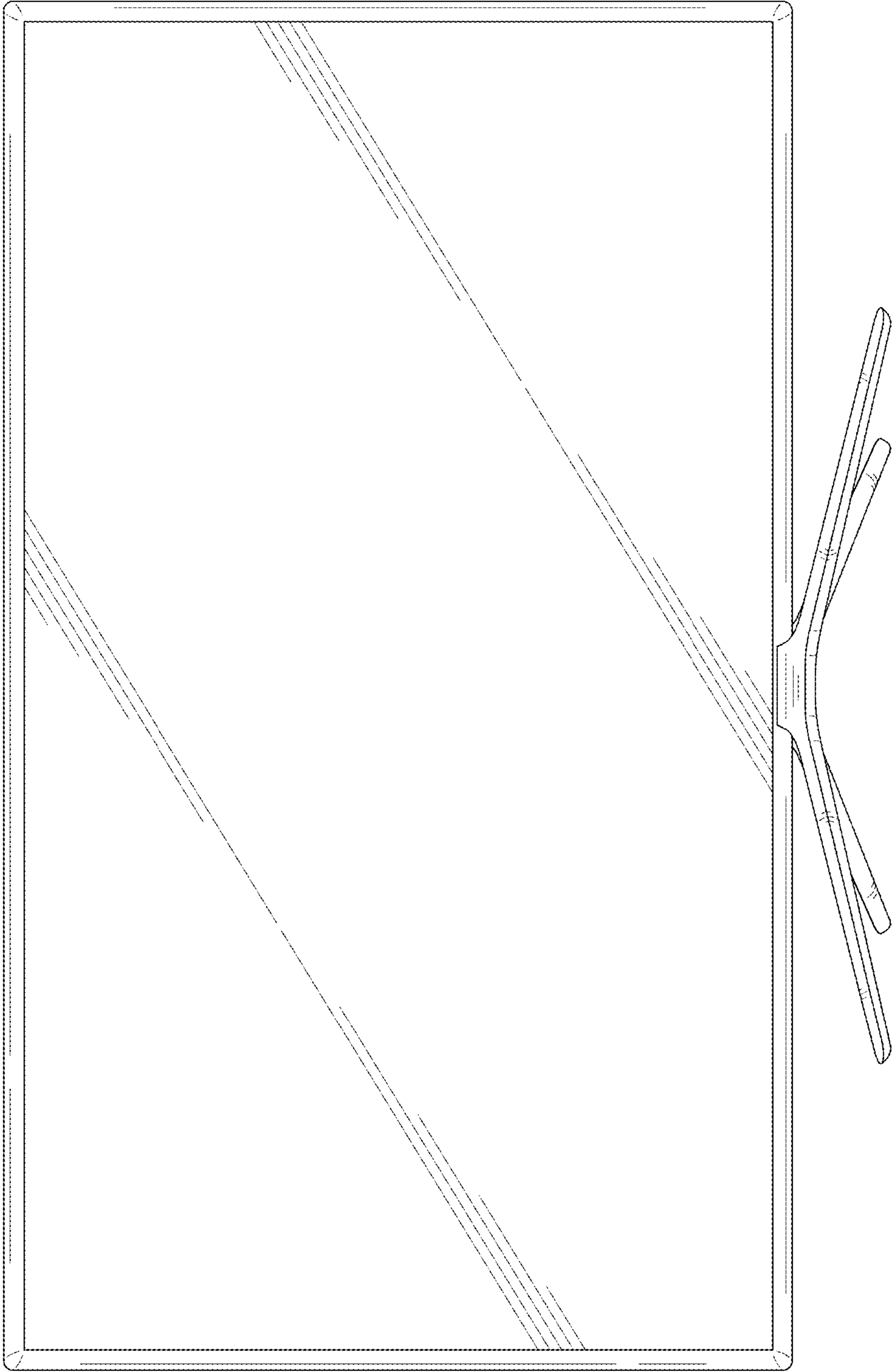


FIG. 3

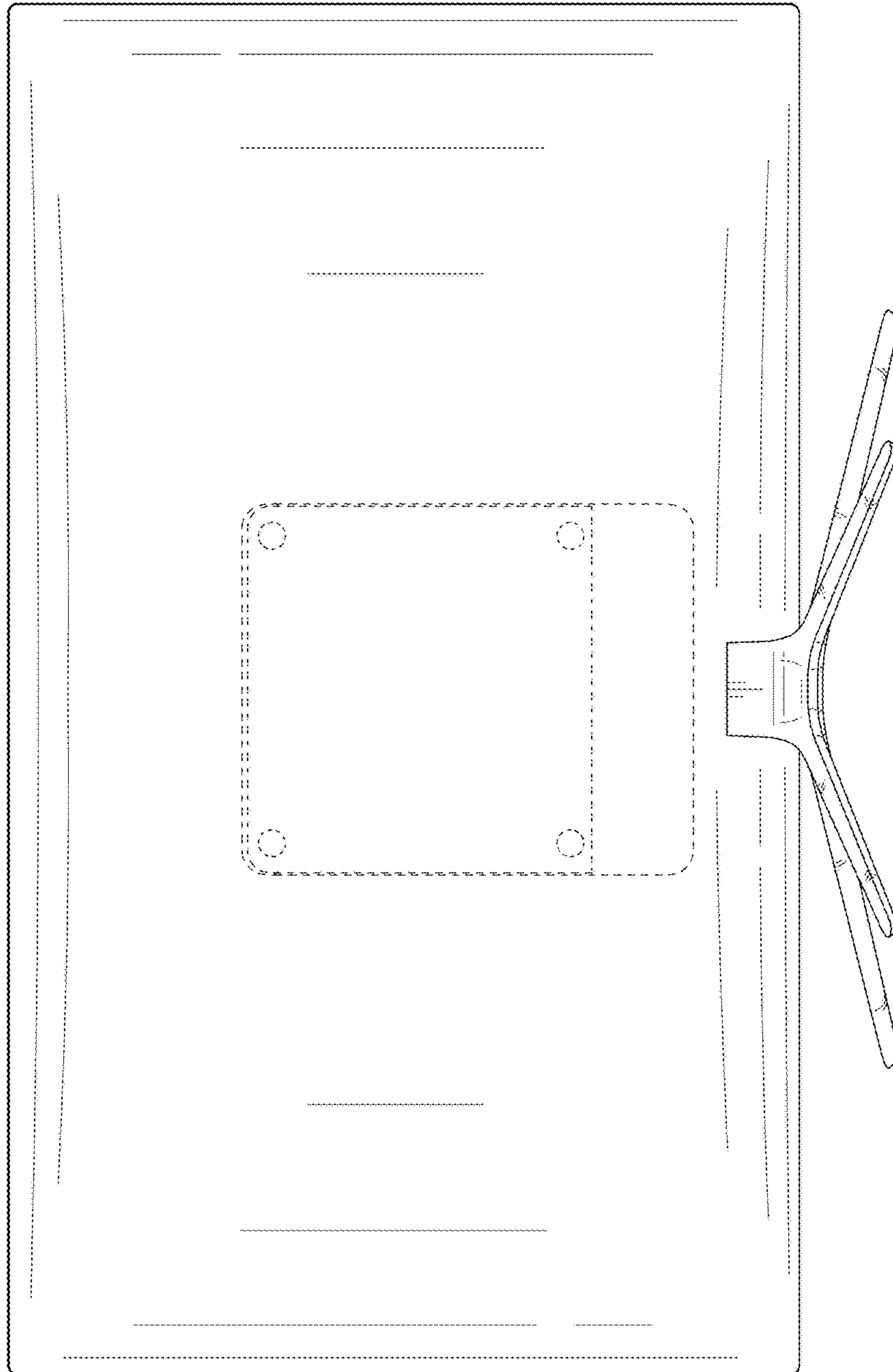


FIG. 5

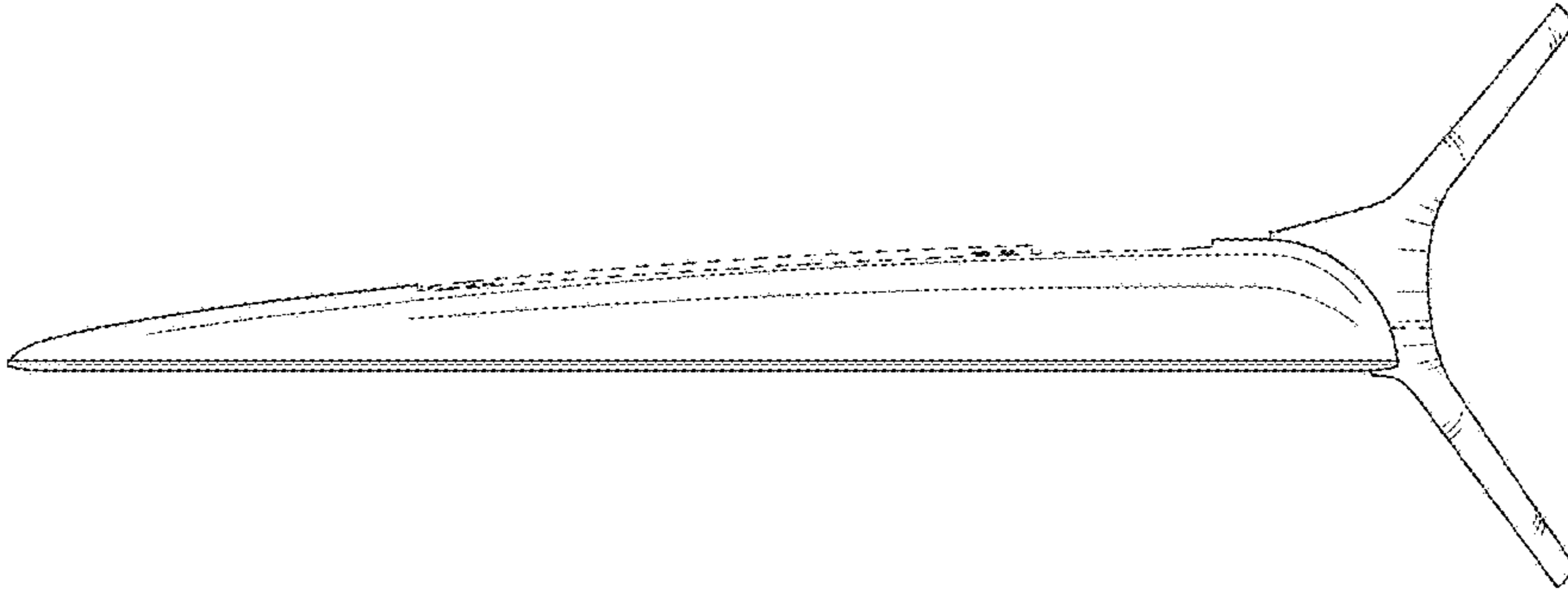


FIG. 4

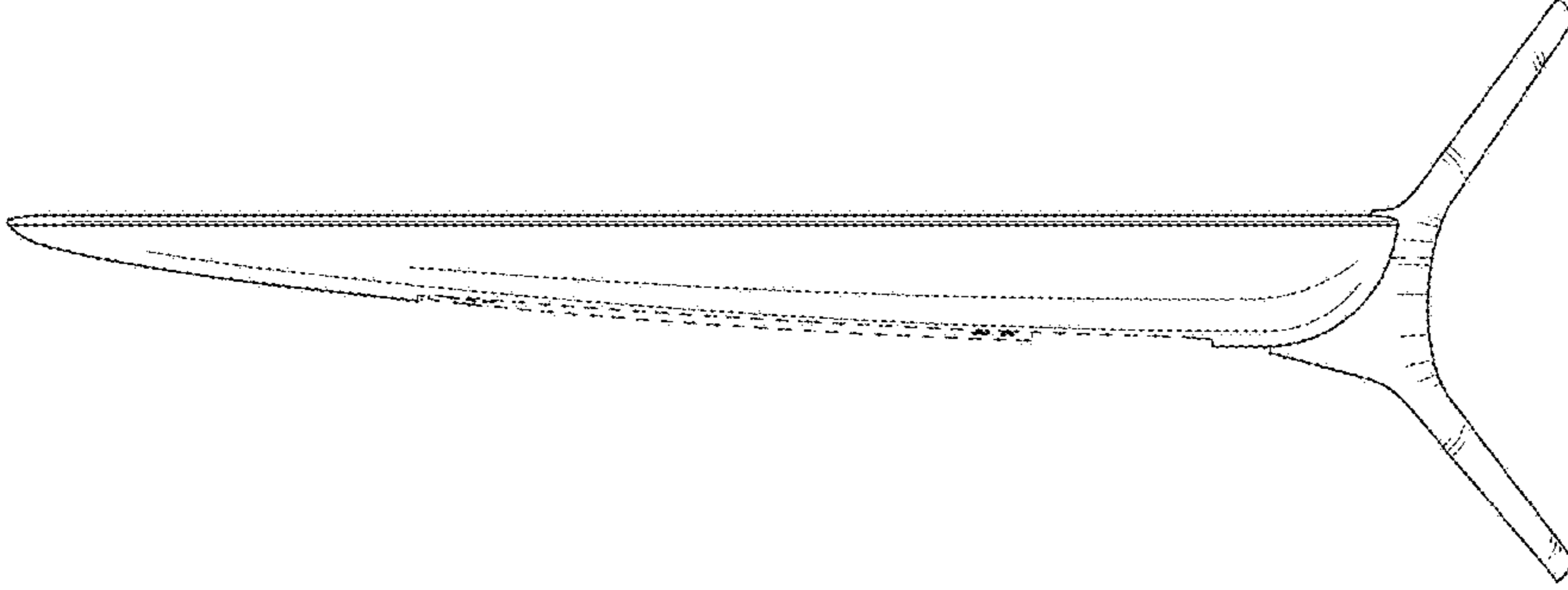


FIG. 6

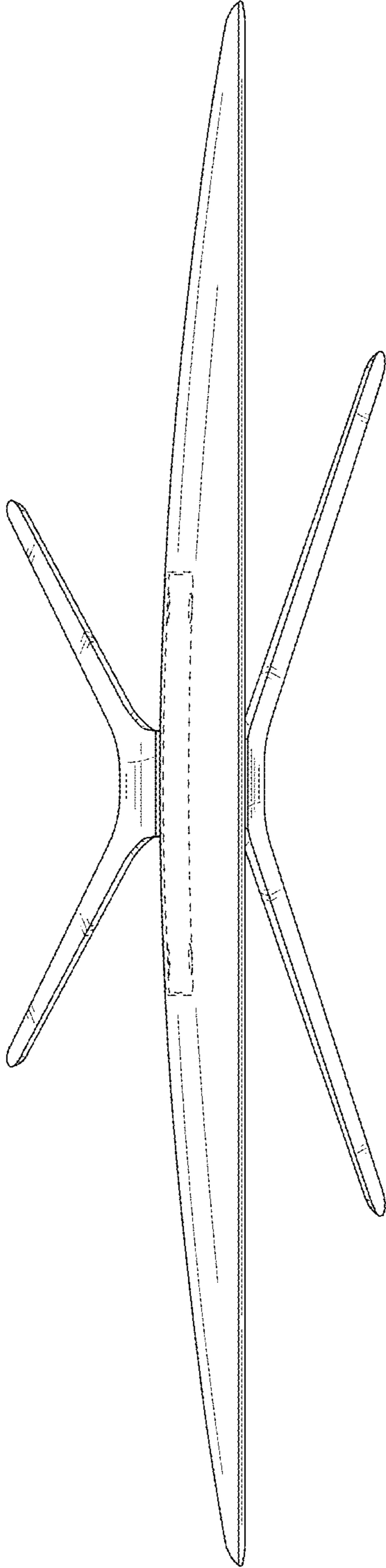


FIG. 7

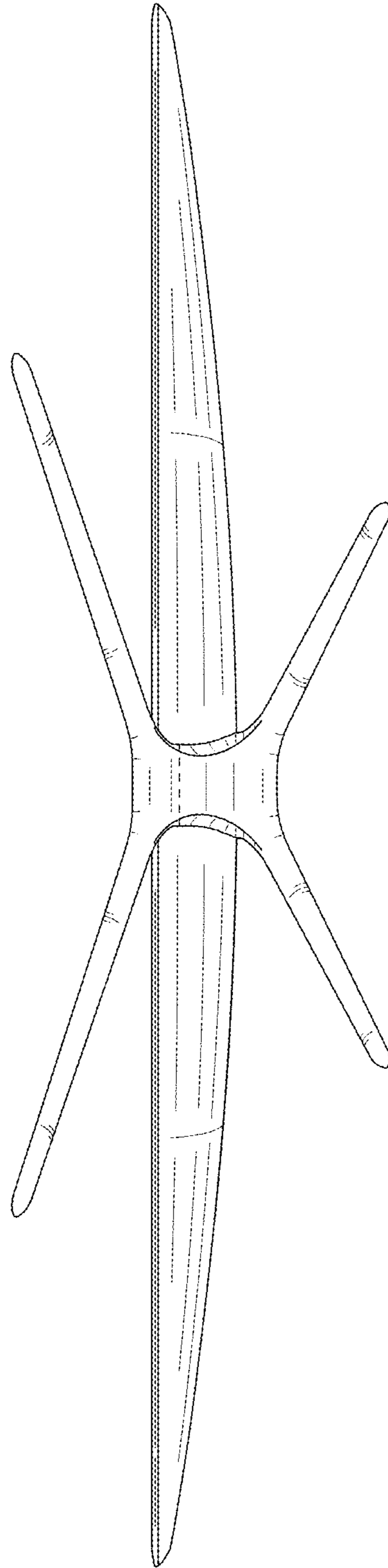


FIG. 8

