



US00D783555S

(12) **United States Design Patent** (10) **Patent No.:** **US D783,555 S**
Cho et al. (45) **Date of Patent:** **** Apr. 11, 2017**

(54) **TELEVISION RECEIVER**

FOREIGN PATENT DOCUMENTS

(71) Applicant: **Samsung Electronics Co., Ltd.**,
Suwon-si, Gyeonggi-do (KR)

CN	303042071 S	12/2014
CN	303169321 S	4/2015
CN	303181274 S	4/2015

(72) Inventors: **Chulyong Cho**, Seoul (KR); **Jaewook Yoo**, Seoul (KR); **Jaeneung Lee**, Ansan-si (KR)

Primary Examiner — Raphael Barkai

(74) *Attorney, Agent, or Firm* — Cantor Colburn, LLP

(73) Assignee: **SAMSUNG ELECTRONICS CO., LTD.**, Gyeonggi-Do (KR)

(57) **CLAIM**

(**) Term: **15 Years**

The ornamental design for a television receiver, as shown and described.

(21) Appl. No.: **29/556,672**

(22) Filed: **Mar. 2, 2016**

(30) **Foreign Application Priority Data**

DESCRIPTION

Sep. 3, 2015 (KR) 30-2015-0044718

(51) **LOC (10) Cl.** **14-03**

(52) **U.S. Cl.**
USPC **D14/126**

(58) **Field of Classification Search**

USPC D14/125-134, 239, 371, 136, 374-377,
D14/440, 450, 448, 336, 342, 159;
312/7.2; 348/836, 838, 180, 184, 325,
348/739; 248/917-924, 465; 345/104,
345/133, 156, 168, 87, 173; D21/329,
D21/515, 577, 622, 333, 433, 448, 452,
D21/450, 331, 505; D10/15, 26;
446/484, 175, 356; D6/477, 479, 300;
D20/10, 19, 39; D16/203, 241; 160/24
CPC G06F 1/1601; G06F 1/1643; G06F 1/1652;
G06F 1/1647; G06F 3/0412; H05K
(Continued)

FIG. 1 is a front perspective view of a television receiver showing our new design;

FIG. 2 is a front view thereof;

FIG. 3 is a rear view thereof;

FIG. 4 is a left side view thereof;

FIG. 5 is a right side view thereof;

FIG. 6 is a top view thereof;

FIG. 7 is a bottom view thereof;

FIG. 8 is a rear perspective view thereof; and

FIG. 9 is an enlarged view of the encircled portion 9 in FIG. 1;

FIG. 10 is an enlarged view of the encircled portion 10 in FIG. 1; and,

FIG. 11 is an enlarged view of the encircled portion 11 in FIG. 8.

The short dash-dash broken line in the figures represents unclaimed portions of the television receiver and the long-short-short broken line in FIGS. 1, 8, 9, 10 and 11 encircling a portion of the claimed design is for illustrating the enlargement; the broken lines form no part of the claimed design.

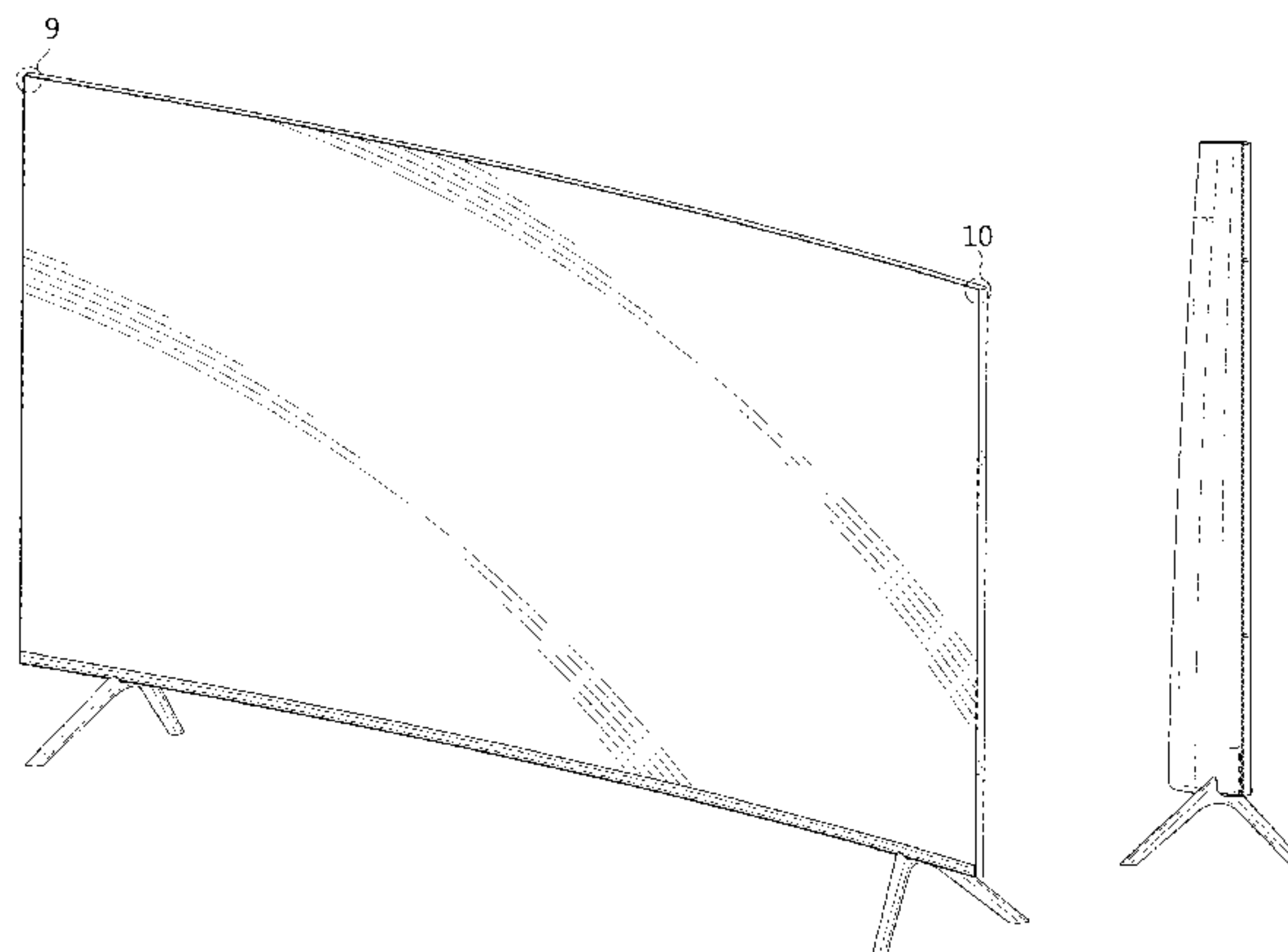
(56) **References Cited**

U.S. PATENT DOCUMENTS

D680,106 S *	4/2013	Hwangbo	D14/239
D700,187 S *	2/2014	Lee	D14/451
D716,244 S *	10/2014	Kim	D14/126

(Continued)

1 Claim, 11 Drawing Sheets



(58) **Field of Classification Search**

CPC 5/0004; H05K 5/0017; H05K 5/02; H05K
5/0217; H04N 13/0459

See application file for complete search history.

(56) **References Cited**

U.S. PATENT DOCUMENTS

D719,119 S *	12/2014	Park	D14/126
D722,989 S *	2/2015	Park	D14/126
D729,755 S *	5/2015	McManigal	D14/126
D734,282 S *	7/2015	Shin	D14/126
D735,153 S *	7/2015	Snyder	D14/126
D749,532 S *	2/2016	McManigal	D14/126
D751,519 S *	3/2016	Ma	D14/126
D753,617 S *	4/2016	Zhang	D14/126
D757,671 S *	5/2016	Bouroullec	D14/126
D765,615 S *	9/2016	Kim	D14/126

* cited by examiner

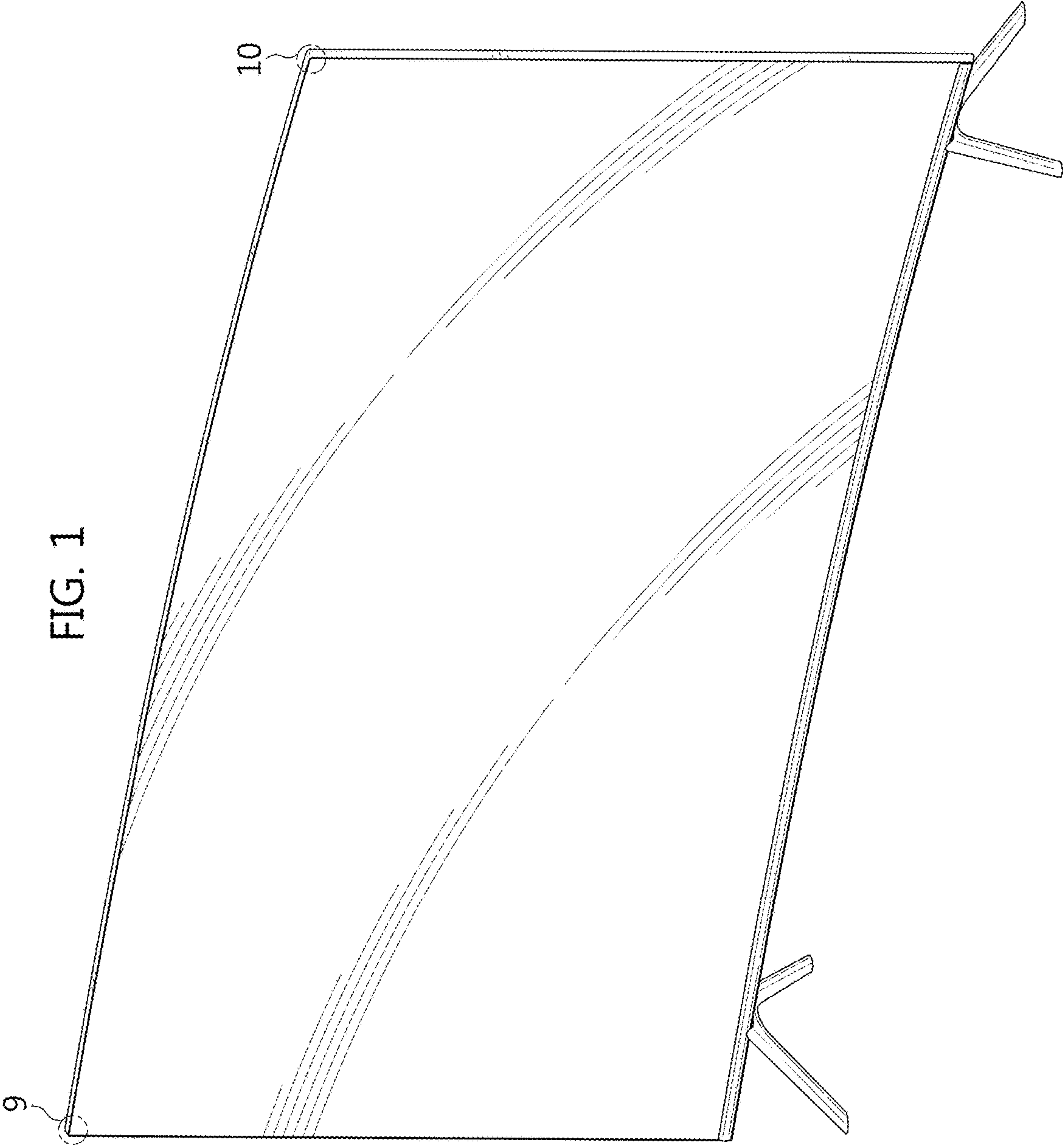


FIG. 2

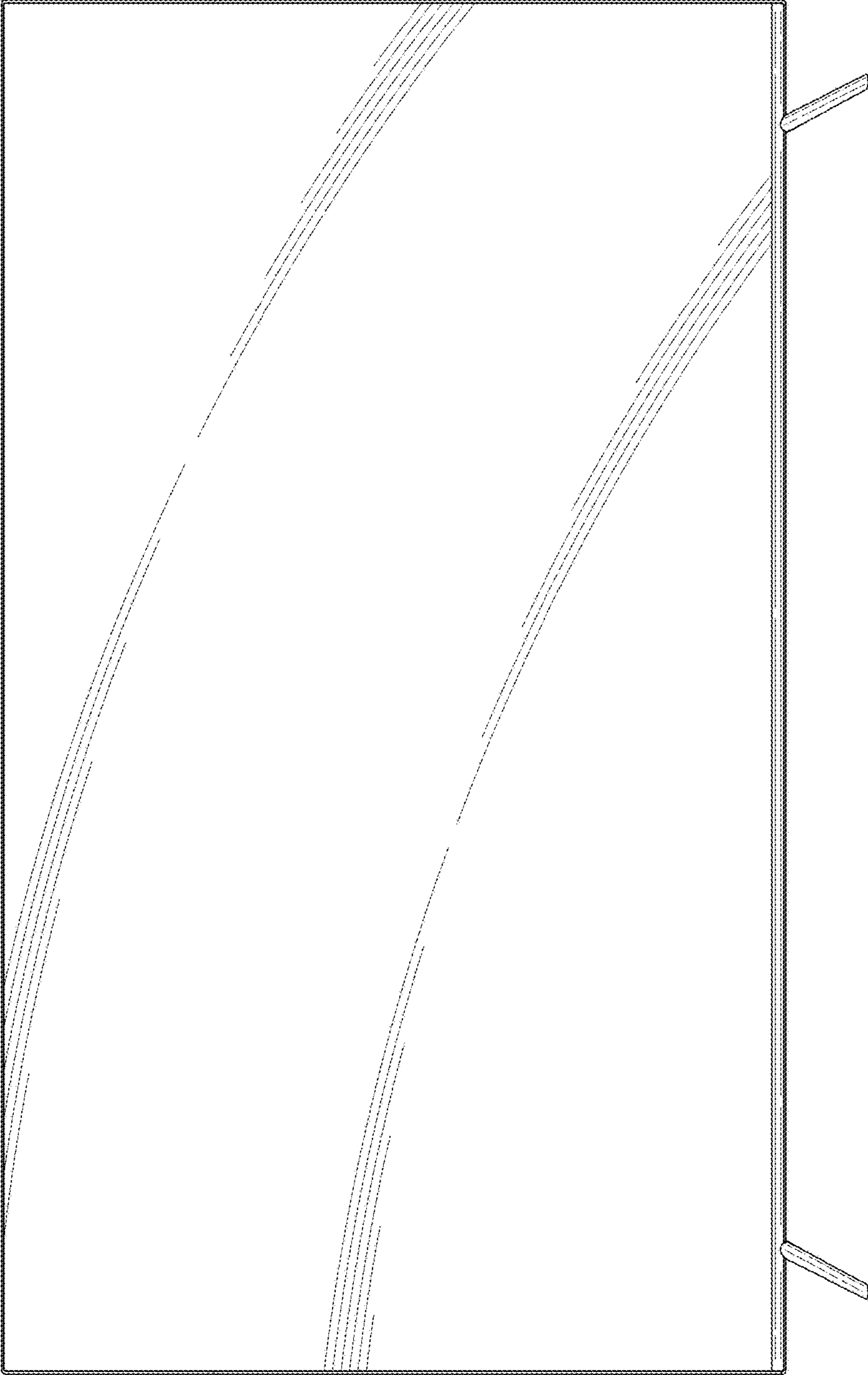


FIG. 3

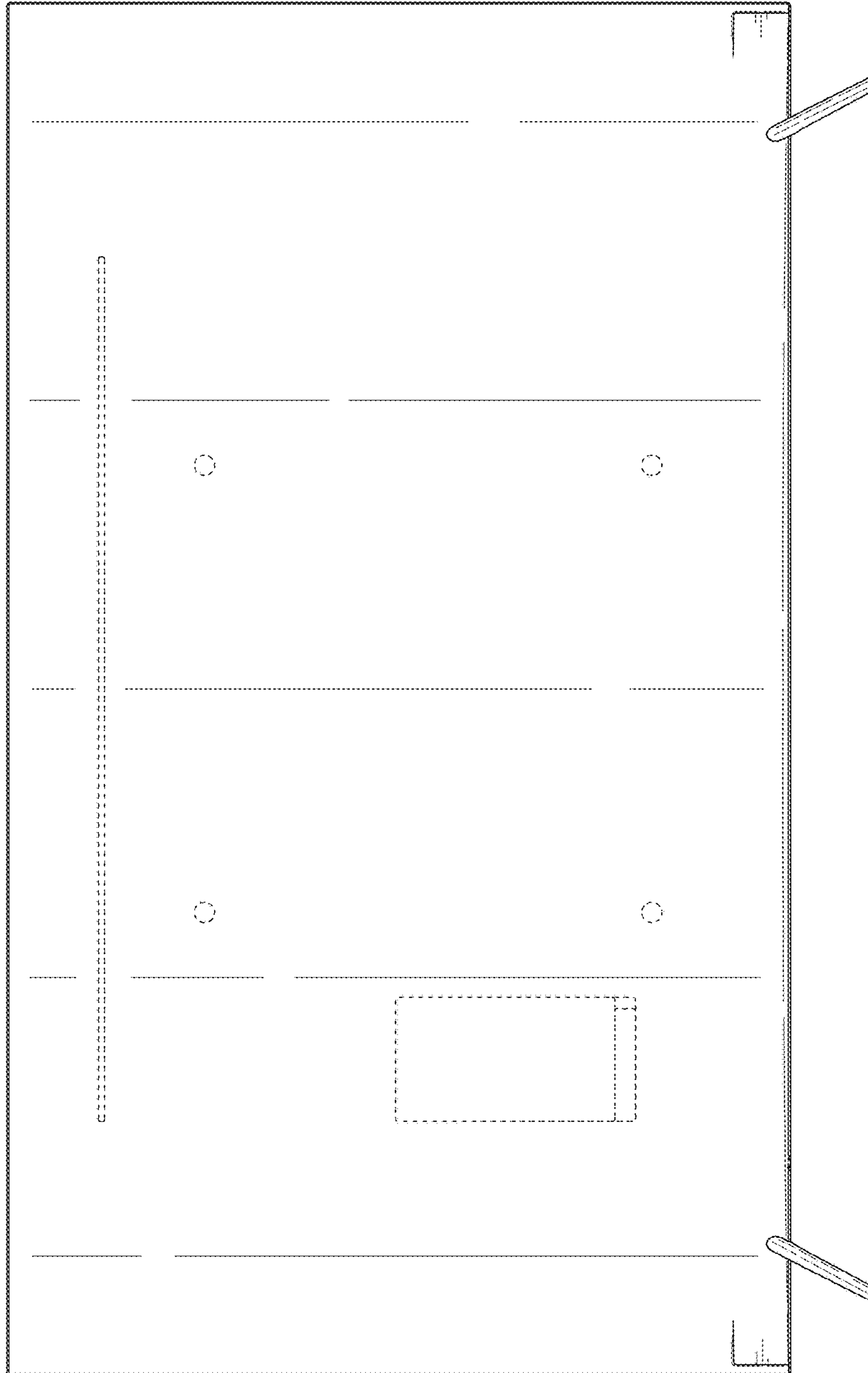


FIG. 4

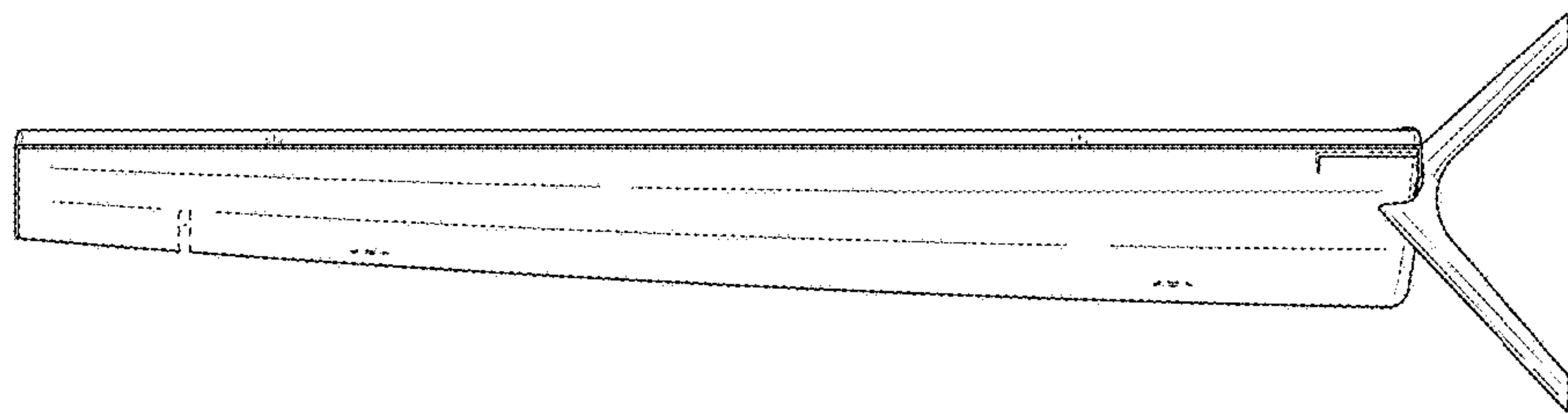


FIG. 5

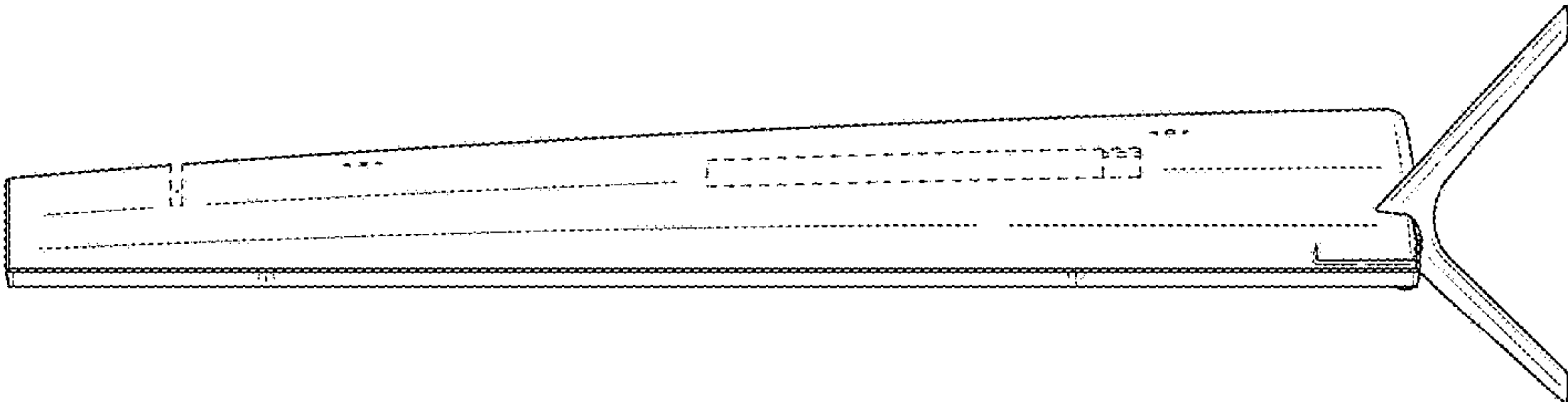


FIG. 6

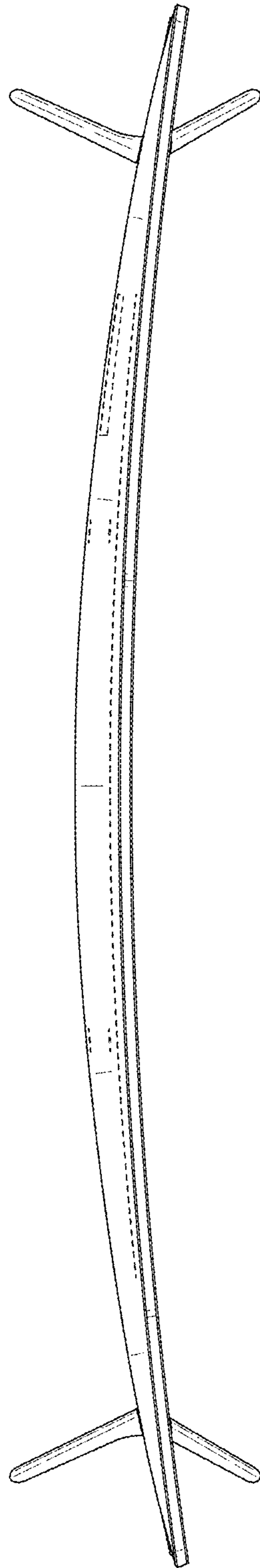


FIG. 7

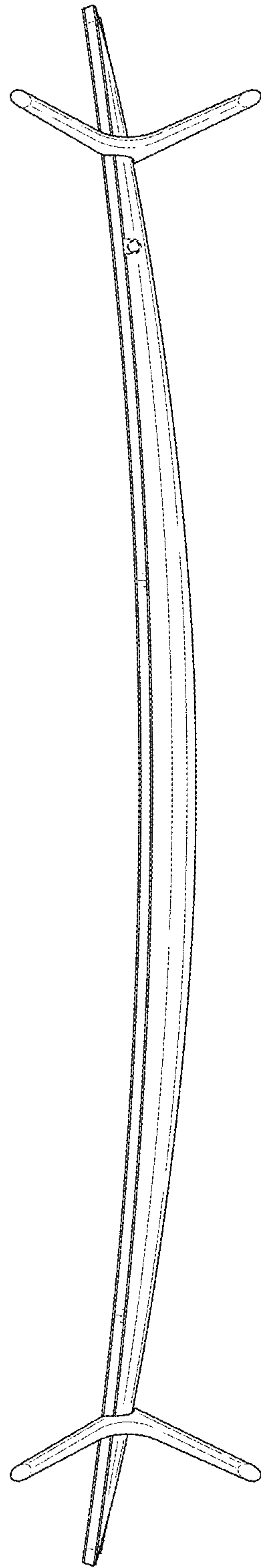


FIG. 8

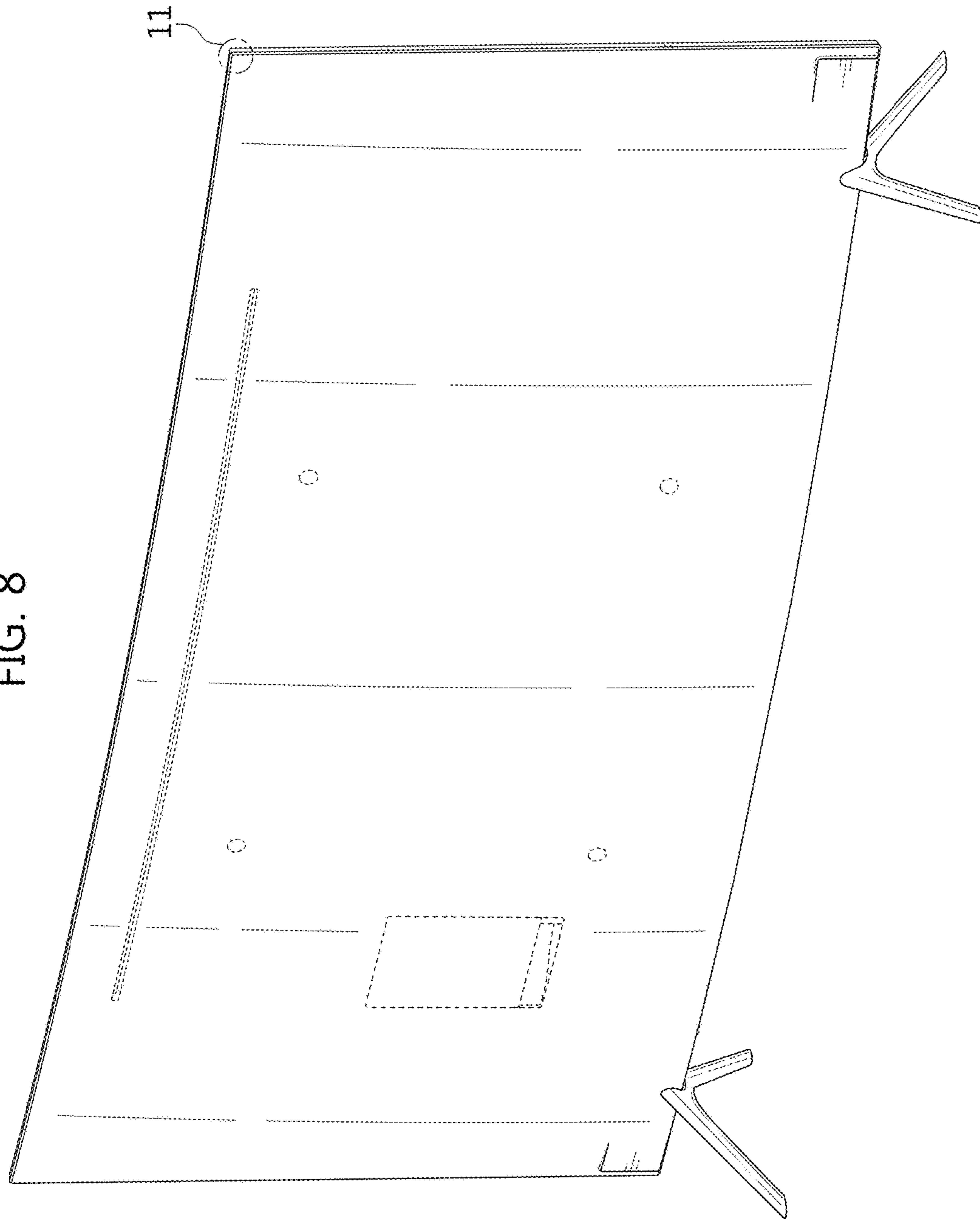


FIG. 9

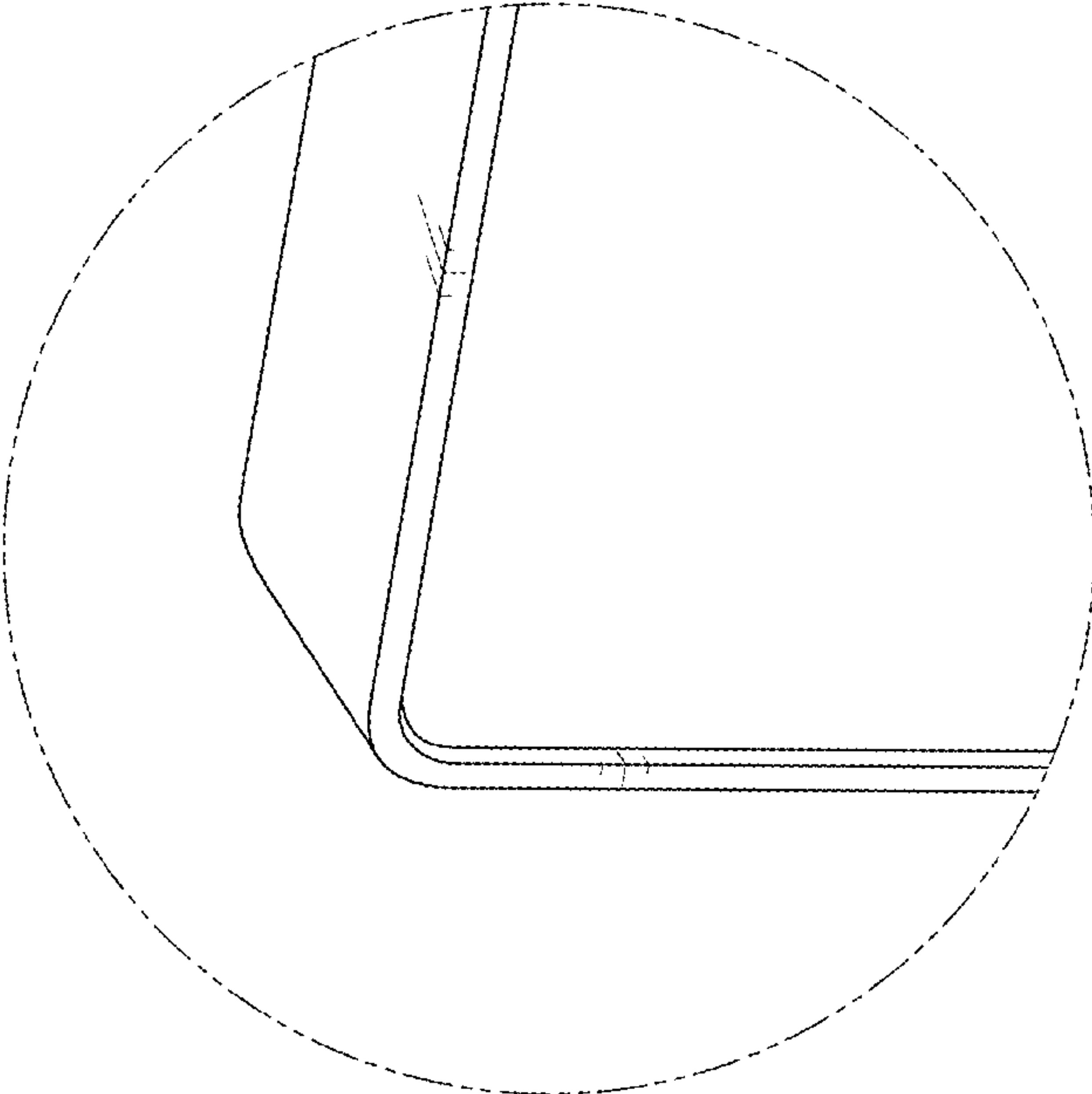


FIG. 10

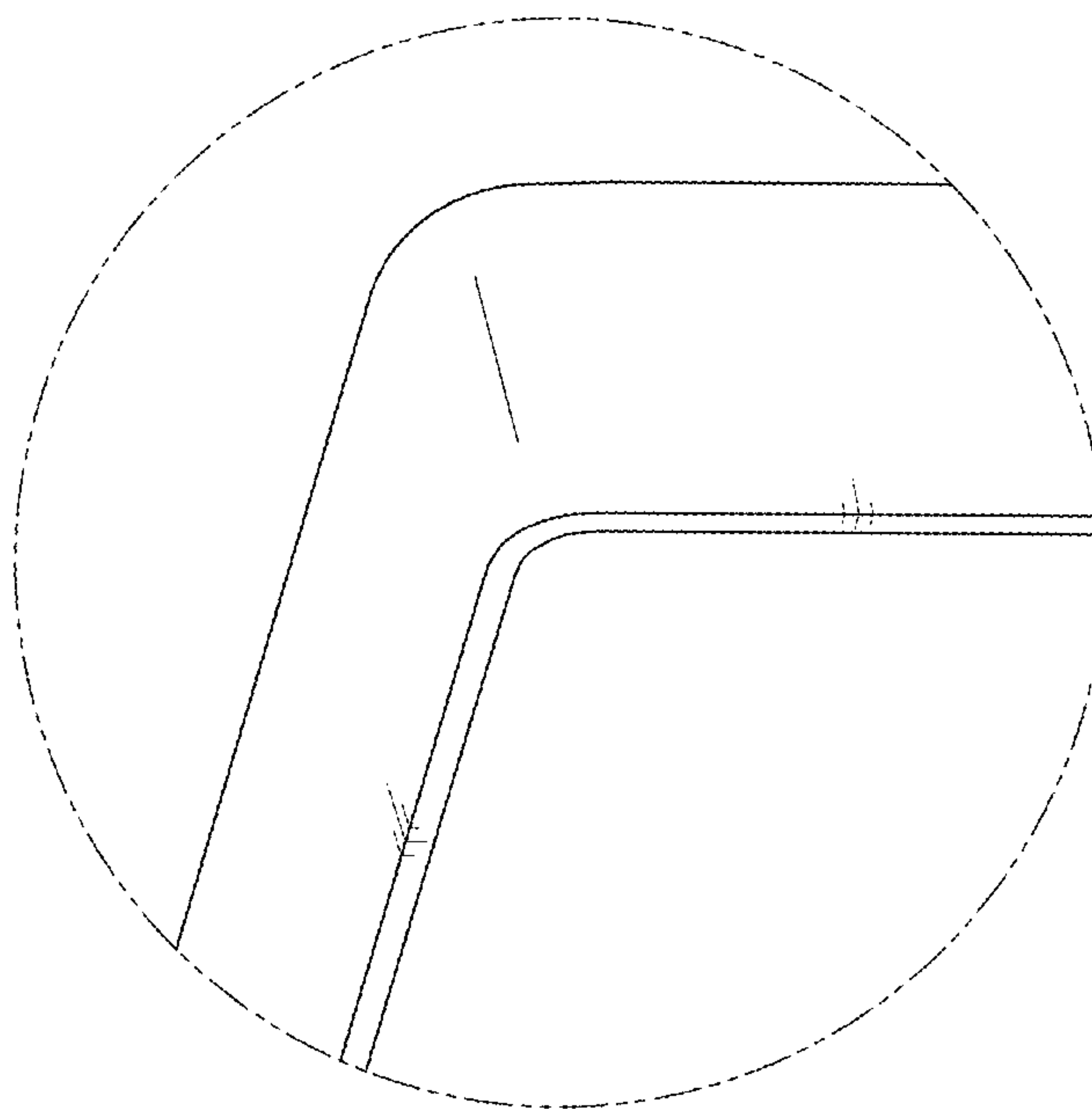


FIG. 11

