



US00D783553S

(12) **United States Design Patent**
Kim et al.

(10) **Patent No.:** **US D783,553 S**

(45) **Date of Patent:** **** Apr. 11, 2017**

(54) **TELEVISION RECEIVER**

(71) Applicant: **Samsung Electronics Co., Ltd.**,
Suwon-si, Gyeonggi-do (KR)

(72) Inventors: **Inshik Kim**, Seongnam-si (KR);
Jinwook Kim, Yongin-si (KR);
Daekyung Ahn, Namyangju-si (KR);
Sangmin Hyun, Seoul (KR)

(73) Assignee: **SAMSUNG ELECTRONICS CO., LTD.**,
Suwon-si, Gyeonggi-Do (KR)

(**) Term: **15 Years**

(21) Appl. No.: **29/535,119**

(22) Filed: **Aug. 4, 2015**

(30) **Foreign Application Priority Data**

Feb. 17, 2015 (KR) 30-2015-0008785

(51) **LOC (10) Cl.** **14-03**

(52) **U.S. Cl.**
USPC **D14/126**

(58) **Field of Classification Search**

USPC D14/125-134, 239, 371, 136, 374-377,
D14/440, 450, 448, 336, 342, 159;
312/7.2; 348/836, 838, 180, 184, 325,
348/739; 248/917-924, 465; 345/104,
345/133, 156, 168, 87, 173; D21/329,
D21/515, 577, 622, 333, 433, 448, 452,
D21/450, 331, 505; D10/15, 26;
446/484, 175, 356; D6/477, 479, 300;
D20/10, 19, 39; D16/203, 241; 160/24
CPC ... G06F 1/1601; G06F 1/1643; H05K 5/0004;
H05K 5/0017; H05K 5/02; H05K 5/0217;
H04N 13/0459

See application file for complete search history.

(56) **References Cited**

U.S. PATENT DOCUMENTS

D323,338 S *	1/1992	Court	160/24
D568,364 S *	5/2008	Jeoung	D16/241
7,438,444 B2 *	10/2008	Pao	G02B 19/0071 362/327
D594,894 S *	6/2009	Adams	D16/241
D607,034 S *	12/2009	Adams	D16/241
D607,916 S *	1/2010	Orion	D16/241
7,706,066 B2 *	4/2010	Adams	G03B 21/56 359/443

(Continued)

FOREIGN PATENT DOCUMENTS

KR 20-0404336 12/2005

Primary Examiner — Raphael Barkai

(74) *Attorney, Agent, or Firm* — Ladas & Parry LLP

(57) **CLAIM**

We claim the ornamental design for a television receiver, as shown and described.

DESCRIPTION

FIG. 1 is a front perspective view of a television receiver showing our new design;

FIG. 2 is a front elevational view thereof;

FIG. 3 is a rear elevational view thereof;

FIG. 4 is a left side elevational view thereof;

FIG. 5 is a right side elevational view thereof;

FIG. 6 is a top plan view thereof;

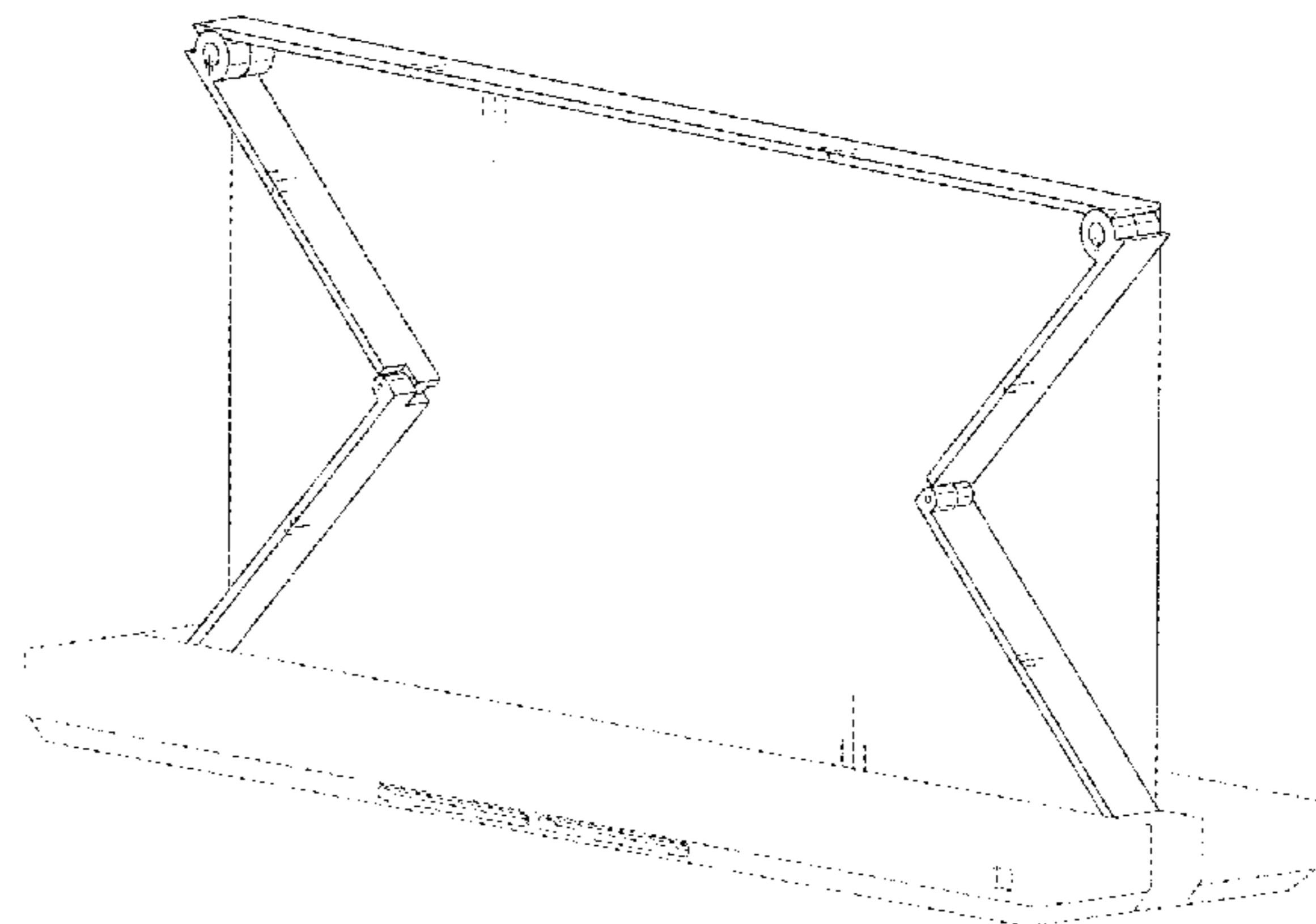
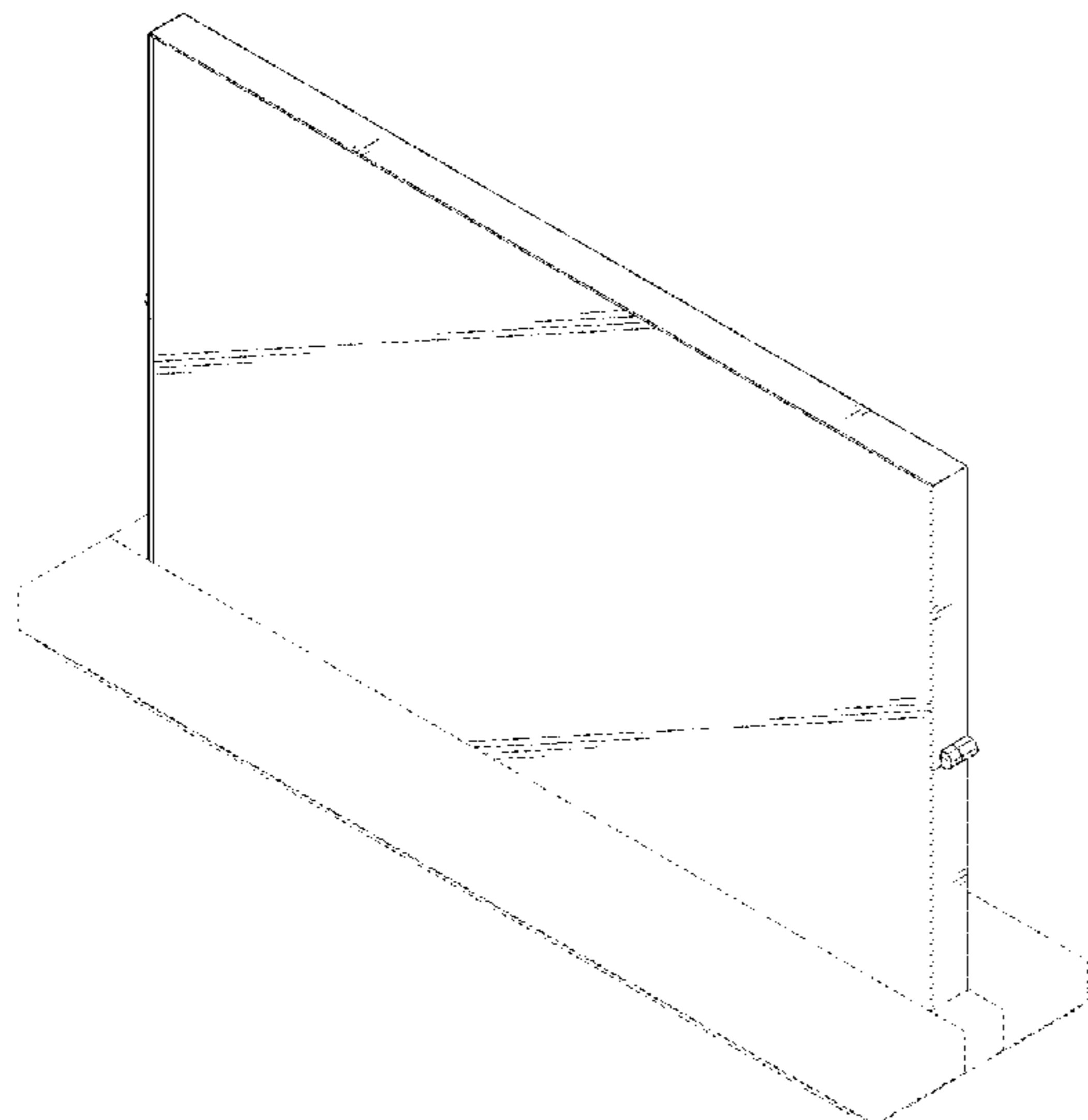
FIG. 7 is a bottom plan view thereof;

FIG. 8 is a rear perspective view thereof; and,

FIG. 9 is a rear perspective view of the article with the display screen partially retracted.

The broken lines in the figures showing portions of the television receiver form no part of the claimed design.

1 Claim, 9 Drawing Sheets



(56)

References Cited

U.S. PATENT DOCUMENTS

D616,034 S * 5/2010 Carlsson D20/43
 D616,501 S * 5/2010 Maier-Hunke D20/10
 D630,599 S * 1/2011 Lim D14/126
 D651,812 S 1/2012 Lee et al.
 8,274,737 B2 * 9/2012 Wang G03B 21/58
 359/443
 D677,637 S * 3/2013 Kubota D14/126
 D680,088 S * 4/2013 Park D14/126
 D737,234 S * 8/2015 Kim D14/126
 D742,375 S * 11/2015 Kang D14/126
 D755,744 S * 5/2016 Williams, Jr. D14/126
 D756,945 S * 5/2016 Kim D14/126
 D761,222 S * 7/2016 Yoo D14/126
 2006/0279840 A1 * 12/2006 Yamauchi G03B 21/56
 359/461
 2014/0213324 A1 * 7/2014 Tan H04M 1/0268
 455/566
 2015/0047796 A1 * 2/2015 Peng E06B 9/42
 160/323.1
 2015/0153777 A1 * 6/2015 Liu G06F 1/1652
 345/173
 2015/0220188 A1 * 8/2015 Zhao G09G 3/36
 345/174

* cited by examiner

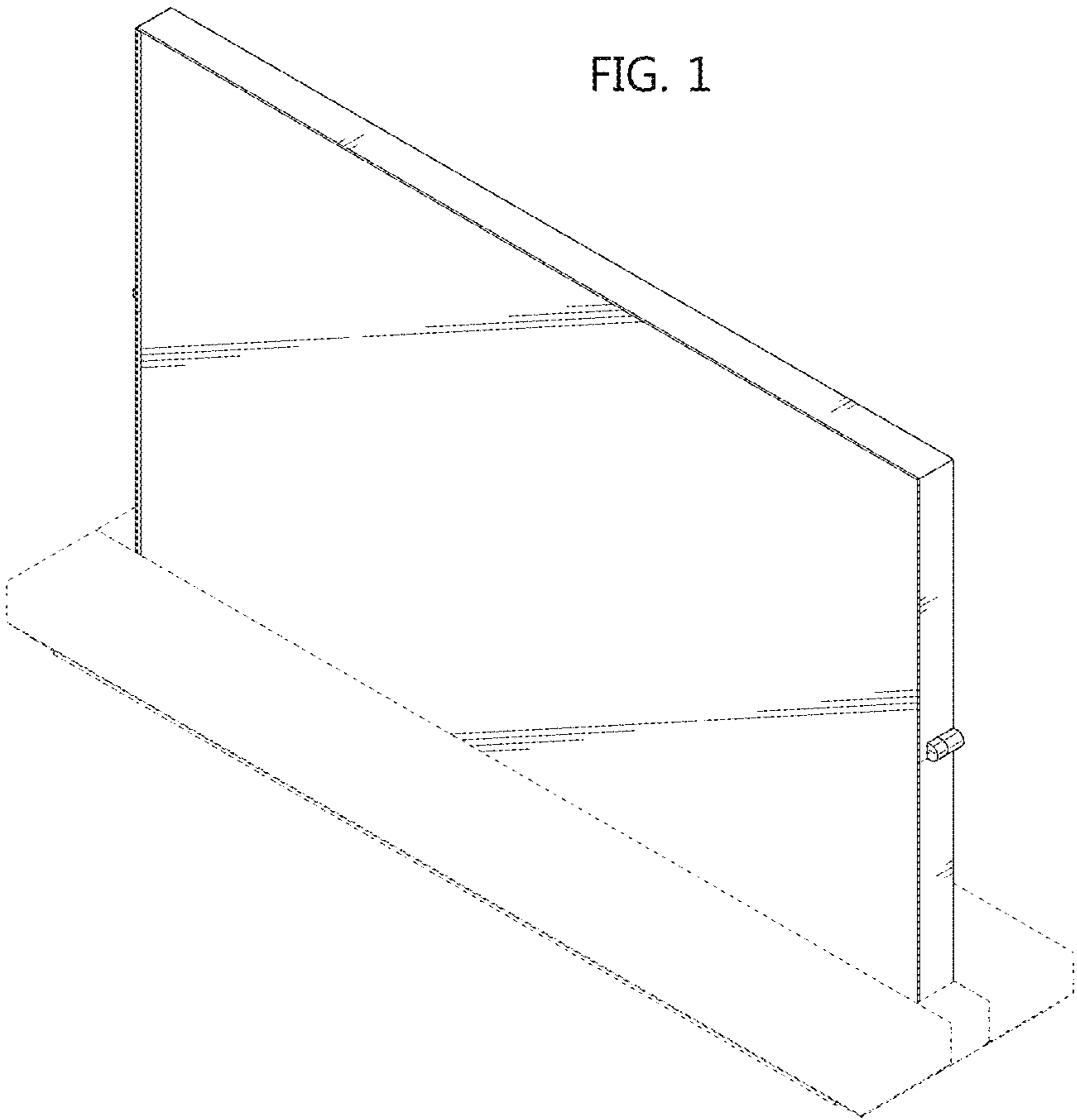


FIG. 2

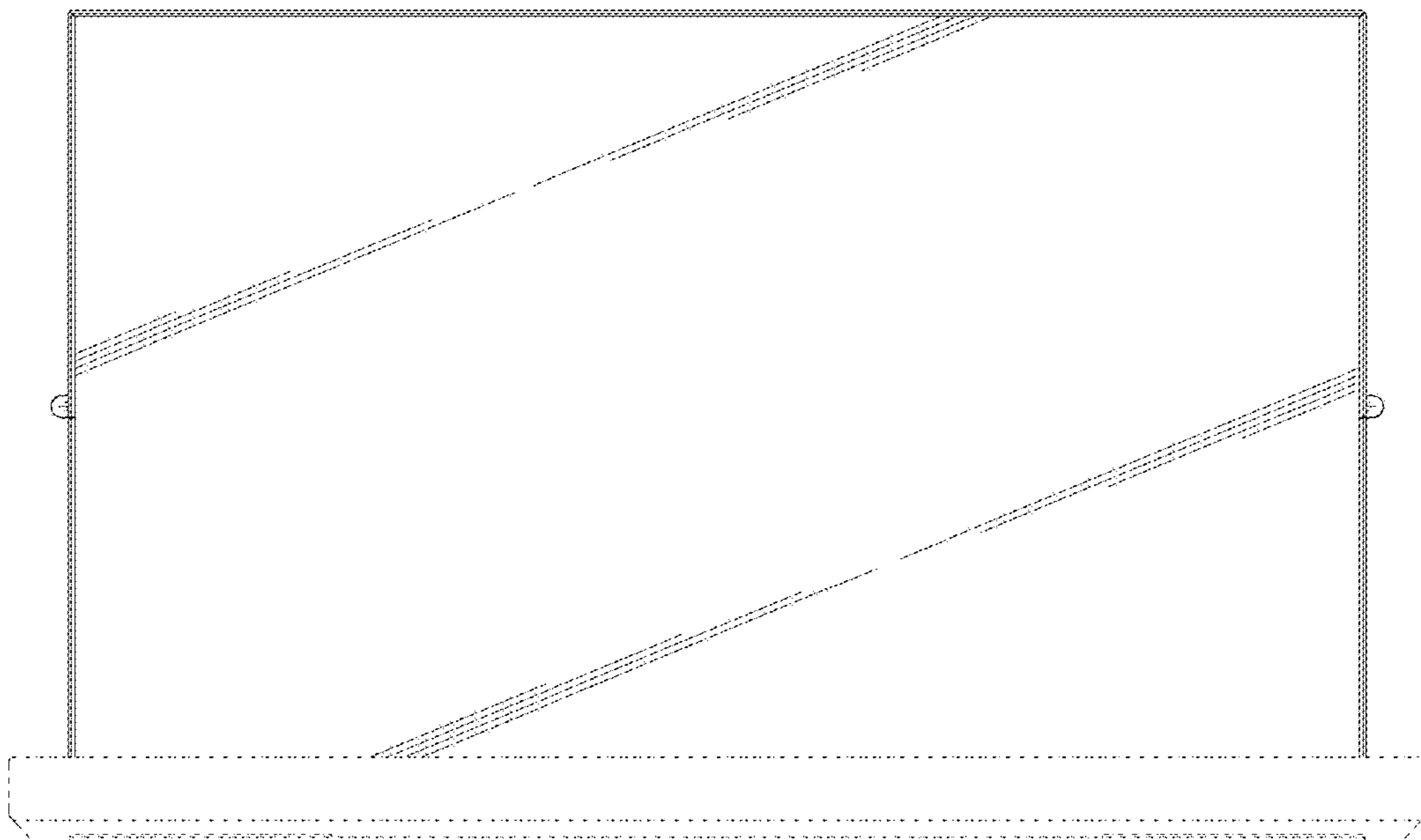


FIG. 3

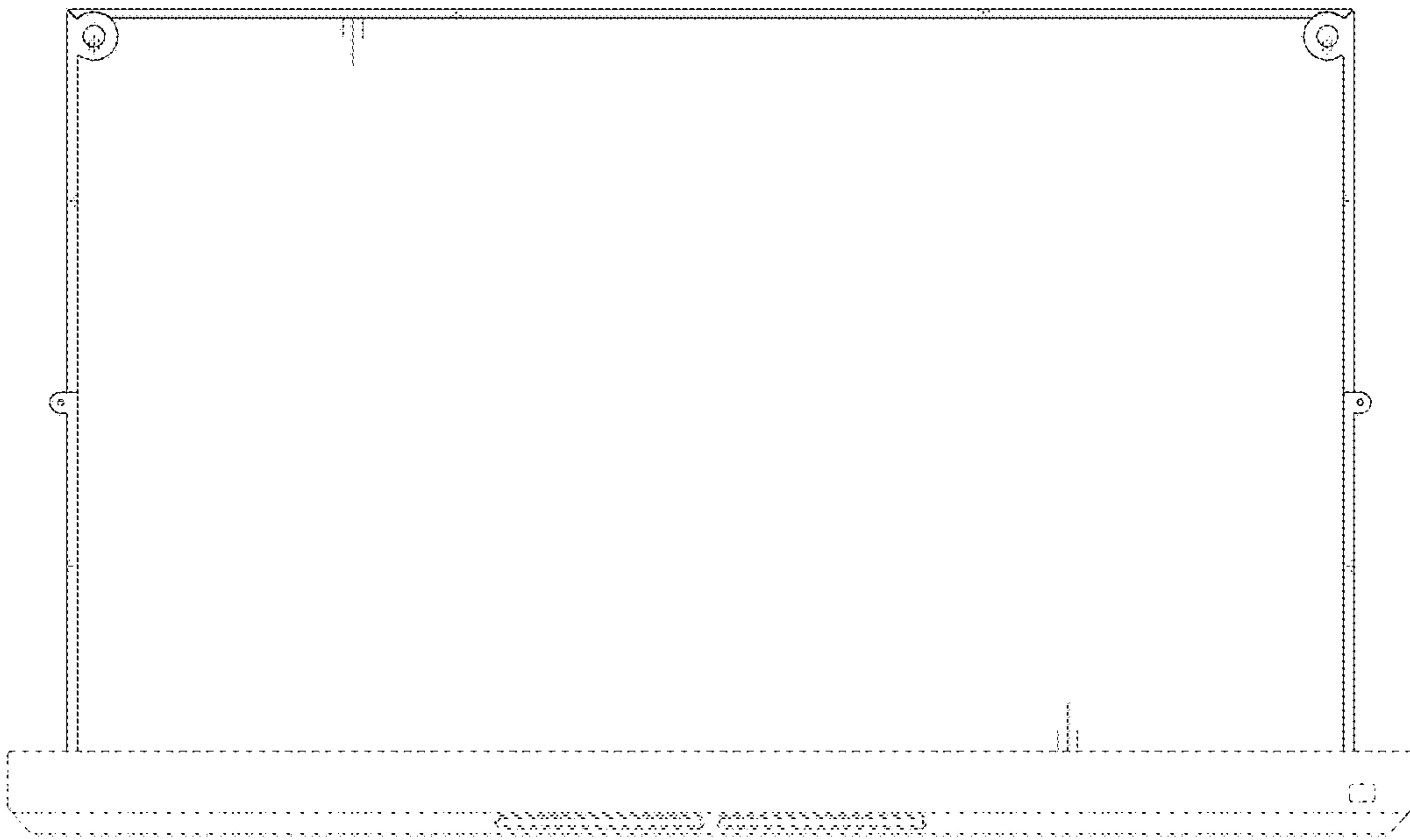


FIG. 4

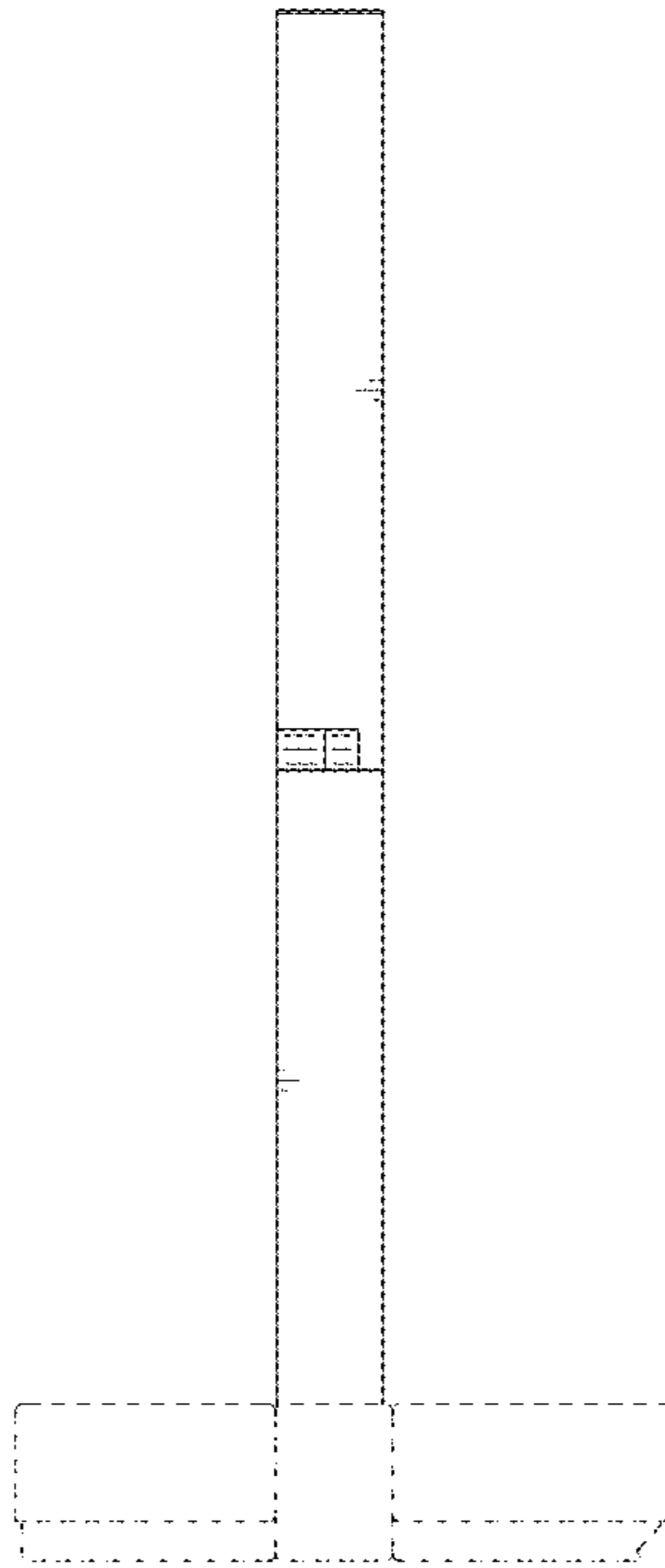


FIG. 5

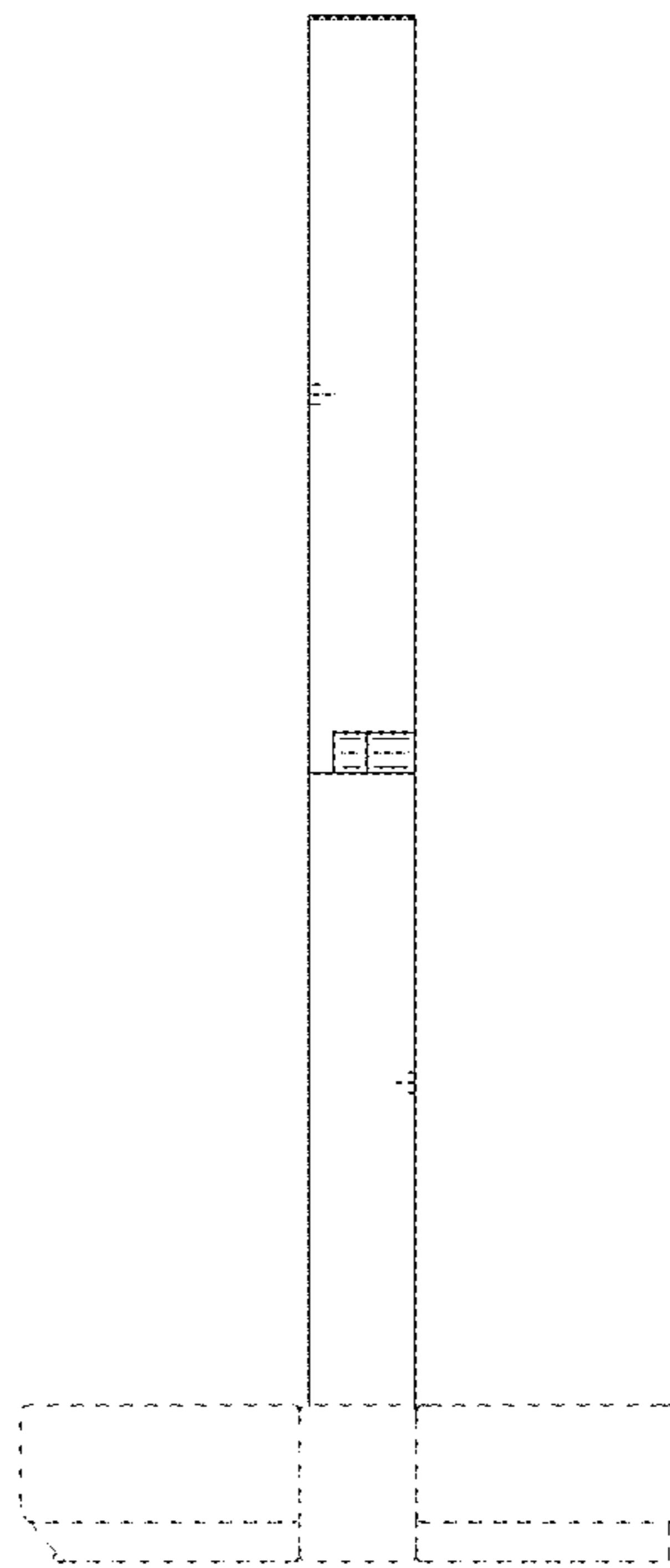


FIG. 6

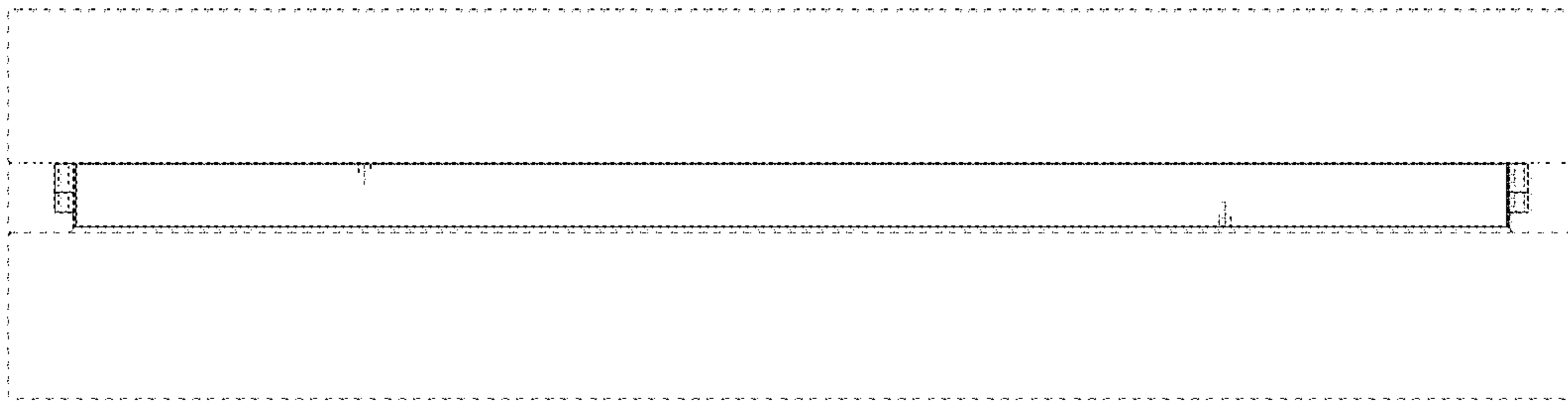


FIG. 7

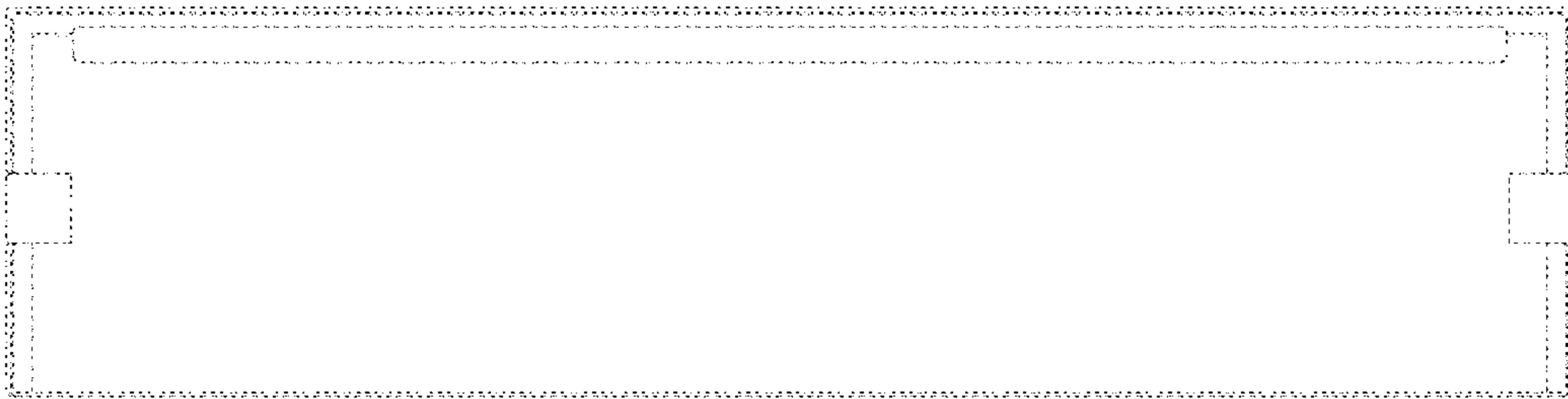


FIG. 8

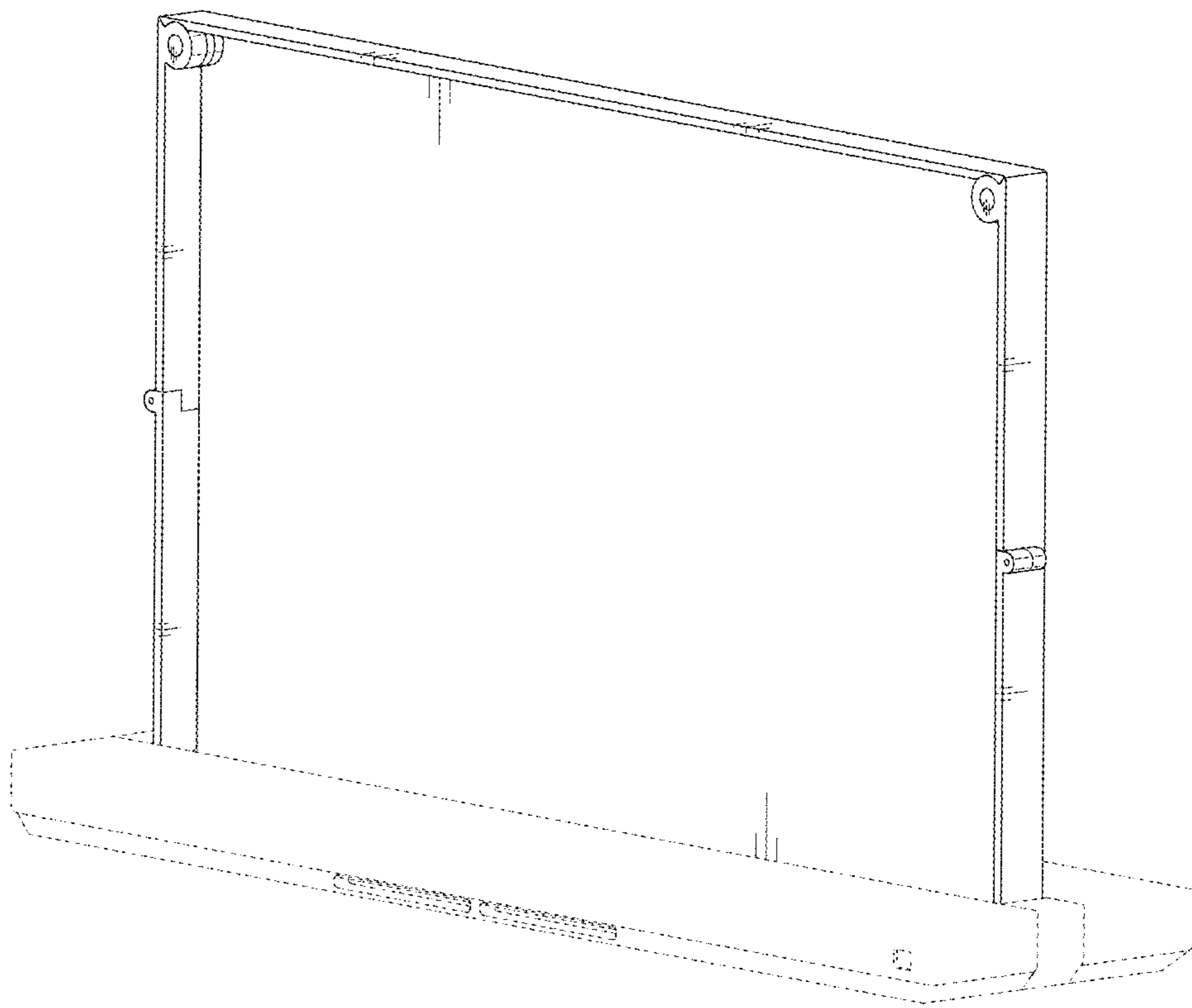


FIG. 9

