



US00D783550S

(12) **United States Design Patent**
Hasegawa et al.

(10) **Patent No.:** **US D783,550 S**
(45) **Date of Patent:** **** Apr. 11, 2017**

(54) **POWER SEMICONDUCTOR DEVICE**

(71) Applicant: **mitsubishi electric corporation**, Tokyo (JP)

(72) Inventors: **Maki Hasegawa**, Tokyo (JP); **Masahiro Kato**, Tokyo (JP); **Shinya Nakagawa**, Tokyo (JP); **Hisashi Kawafuji**, Tokyo (JP); **Toru Iwagami**, Tokyo (JP)

(73) Assignee: **Mitsubishi Electric Corporation**, Tokyo (JP)

(**) Term: **15 Years**

(21) Appl. No.: **29/568,584**

(22) Filed: **Jun. 20, 2016**

Related U.S. Application Data

(62) Division of application No. 29/503,649, filed on Sep. 29, 2014, now Pat. No. Des. 772,182.

(51) **LOC (10) Cl.** **13-03**

(52) **U.S. Cl.**
USPC **D13/182**

(58) **Field of Classification Search**
USPC D13/182
CPC H01L 21/00; H01L 21/02433; H01L 2224/42; H01L 2224/43; H01L 2021/00; H01L 2021/02; H01L 2021/04; H01L 21/4814; H01L 21/4846; H01L 21/4871; H01L 21/67144; H01L 23/12; H01L 23/13; H01L 23/14; H01L 23/147; H01L 2924/171; H01L 2924/1711; H01L 2924/1715; H01L 2924/17151; H01L 2924/181; H01L 2924/1811; H01L 2924/1815; H01L 2924/19042; H01L 2924/1905; H01L 2224/08054; H01L 23/58; H05B 41/14; H02B 6/4201; G02B 6/4256; G02B 6/4257; G02B 6/4261;

G02B 6/4262; G02B 6/42; G02B 6/4281; H05K 1/14; H05K 1/141; H05K 1/142; H05K 1/144; H05K 1/18; H05K 1/181; H05K 1/182; H05K 1/026; H05K 1/0228; H05K 1/0245; H05K 1/0236; H05K 1/0263

See application file for complete search history.

(56) **References Cited**

U.S. PATENT DOCUMENTS

3,602,846 A * 8/1971 Hauser H03H 7/34
174/528
3,762,039 A * 10/1973 Douglass B29C 70/72
174/522

(Continued)

Primary Examiner — Elizabeth J Oswecki

(74) *Attorney, Agent, or Firm* — Stuebaker & Brackett PC

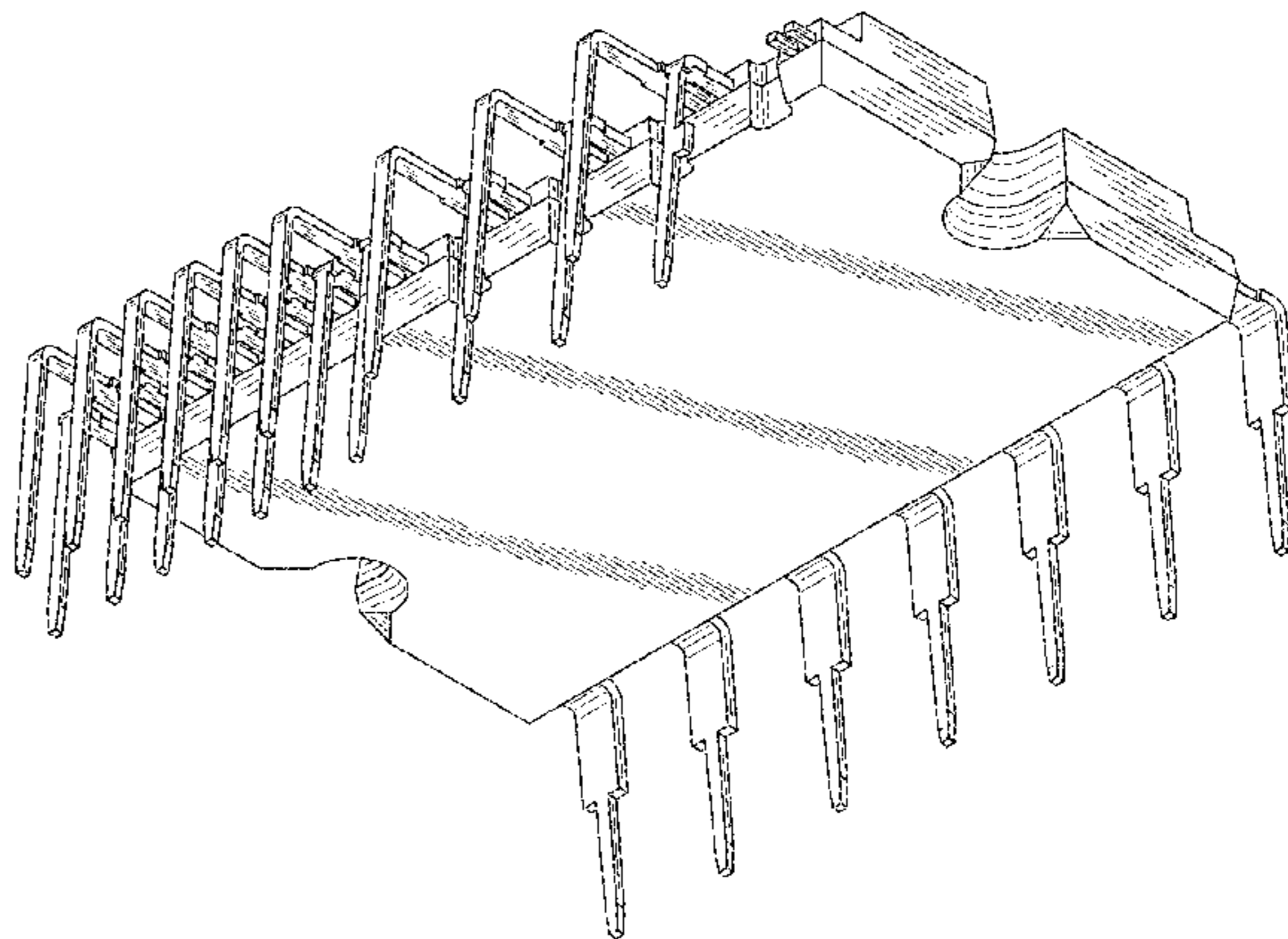
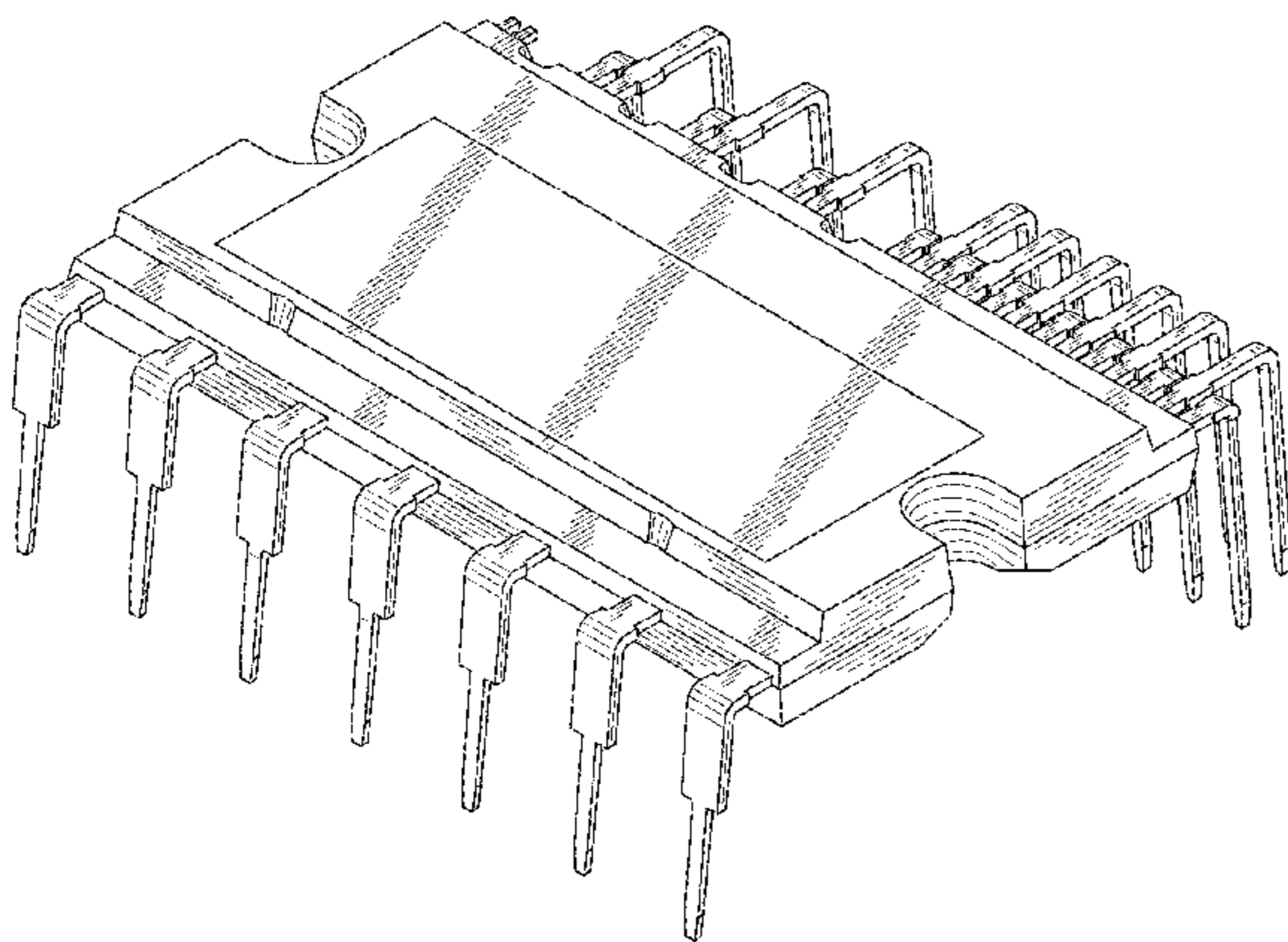
(57) **CLAIM**

The ornamental design for a power semiconductor device, as shown and described.

DESCRIPTION

FIG. 1 is a front, right side, bottom perspective view of a power semiconductor device, showing our new design; FIG. 2 is another rear, left side, and top perspective view thereof; FIG. 3 is a front view thereof; FIG. 4 is a rear view thereof; FIG. 5 is a left side view thereof; FIG. 6 is a right side view thereof; FIG. 7 is a top plan view thereof; and, FIG. 8 is a bottom plan view thereof. The broken lines shown represent unclaimed subject matter of a power semiconductor device and form no part of the claimed design.

1 Claim, 8 Drawing Sheets



(56)

References Cited

U.S. PATENT DOCUMENTS

3,825,876	A *	7/1974	Damon	H05K 7/1046				
						174/535			
3,846,734	A *	11/1974	Pauza	H05K 7/1076				
						174/541			
D288,922	S *	3/1987	Olla	D13/182				
4,663,833	A *	5/1987	Tanaka	G11C 16/18				
						257/667			
D357,672	S *	4/1995	Terasawa	D13/182				
D358,806	S *	5/1995	Siegel	D13/182				
D359,028	S *	6/1995	Siegel	D13/182				
D394,244	S *	5/1998	Majumdar	D13/182				
D396,450	S *	7/1998	Nishiura	D13/182				
D401,912	S *	12/1998	Majumdar	D13/182				
D418,485	S *	1/2000	Kawafuji	D13/182				
D421,969	S *	3/2000	Kawafuji	D13/182				
D448,739	S *	10/2001	Iwasaki	D13/182				
D459,705	S *	7/2002	Yokota	D13/182				
D470,825	S *	2/2003	Iwasaki	D13/182				
D472,530	S *	4/2003	Iwasaki	D13/182				
D505,399	S *	5/2005	Yoshida	D13/182				
D505,400	S *	5/2005	Kawafuji	D13/182				
D539,761	S *	4/2007	Takahashi	D13/182				
D548,202	S *	8/2007	Takahashi	D13/182				
D548,203	S *	8/2007	Takahashi	D13/182				
D653,633	S *	2/2012	Soyano	D13/182				
D653,634	S *	2/2012	Soyano	D13/182				
D674,760	S *	1/2013	Mochizuki	D13/182				
D686,174	S *	7/2013	Soyano	D13/182				
D689,446	S *	9/2013	Soyano	D13/180				
D705,184	S *	5/2014	Takahashi	D13/182				
D712,853	S *	9/2014	Nakamura	D13/182				
D717,253	S *	11/2014	Jo	D13/182				
D717,254	S *	11/2014	Jo	D13/182				
D717,255	S *	11/2014	Lim	D13/182				
D717,256	S *	11/2014	Sohn	D13/182				
D719,113	S *	12/2014	Sohn	D13/182				
D719,537	S *	12/2014	Kawase	D13/182				
D719,926	S *	12/2014	Sohn	D13/182				
D721,048	S *	1/2015	Nakamura	D13/182				
D721,340	S *	1/2015	Nakamura	D13/182				
D770,994	S *	11/2016	Hasegawa	D13/182				
D772,182	S *	11/2016	Hasegawa	D13/182				
D773,412	S *	12/2016	Yoneyama	D13/182				
D773,413	S *	12/2016	Yoneyama	D13/182				
2001/0038143	A1 *	11/2001	Sonobe	H01L 24/49				
						257/690			
2003/0042584	A1 *	3/2003	Yamaguchi	H01L 21/50				
						257/666			
2010/0149774	A1 *	6/2010	Matsumoto	H01L 23/055				
						361/783			

* cited by examiner

FIG. 1

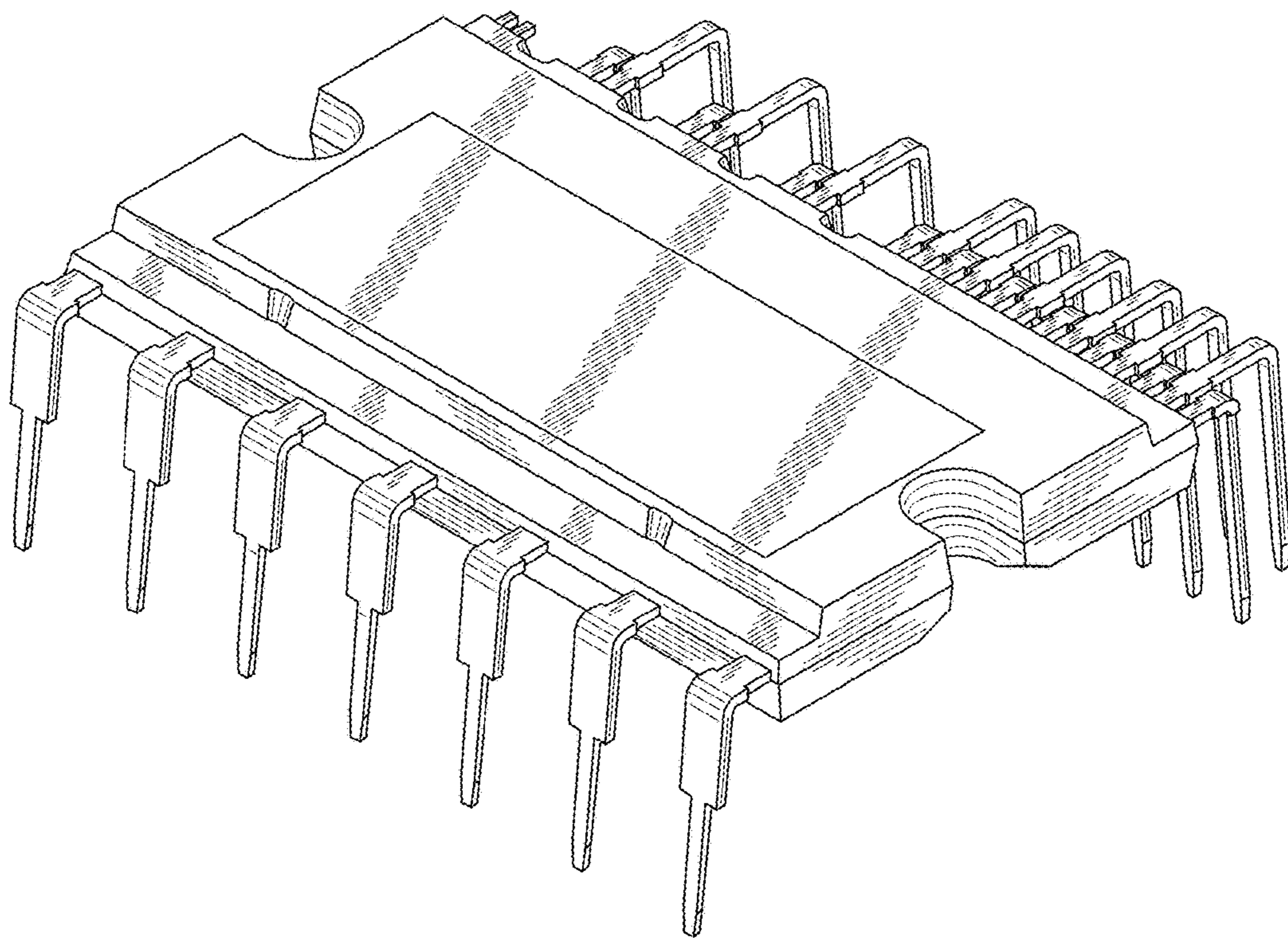


FIG. 2

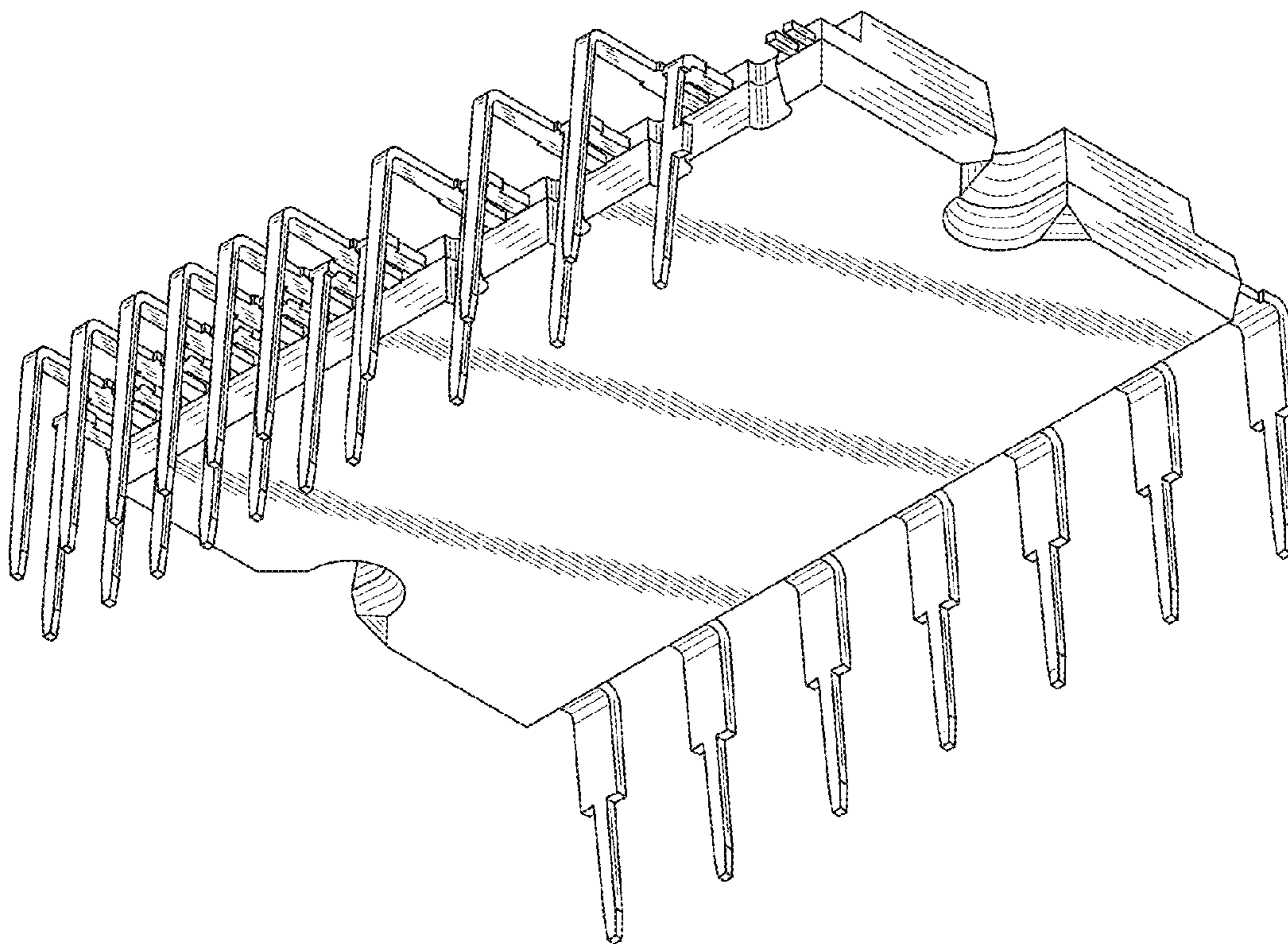


FIG. 3

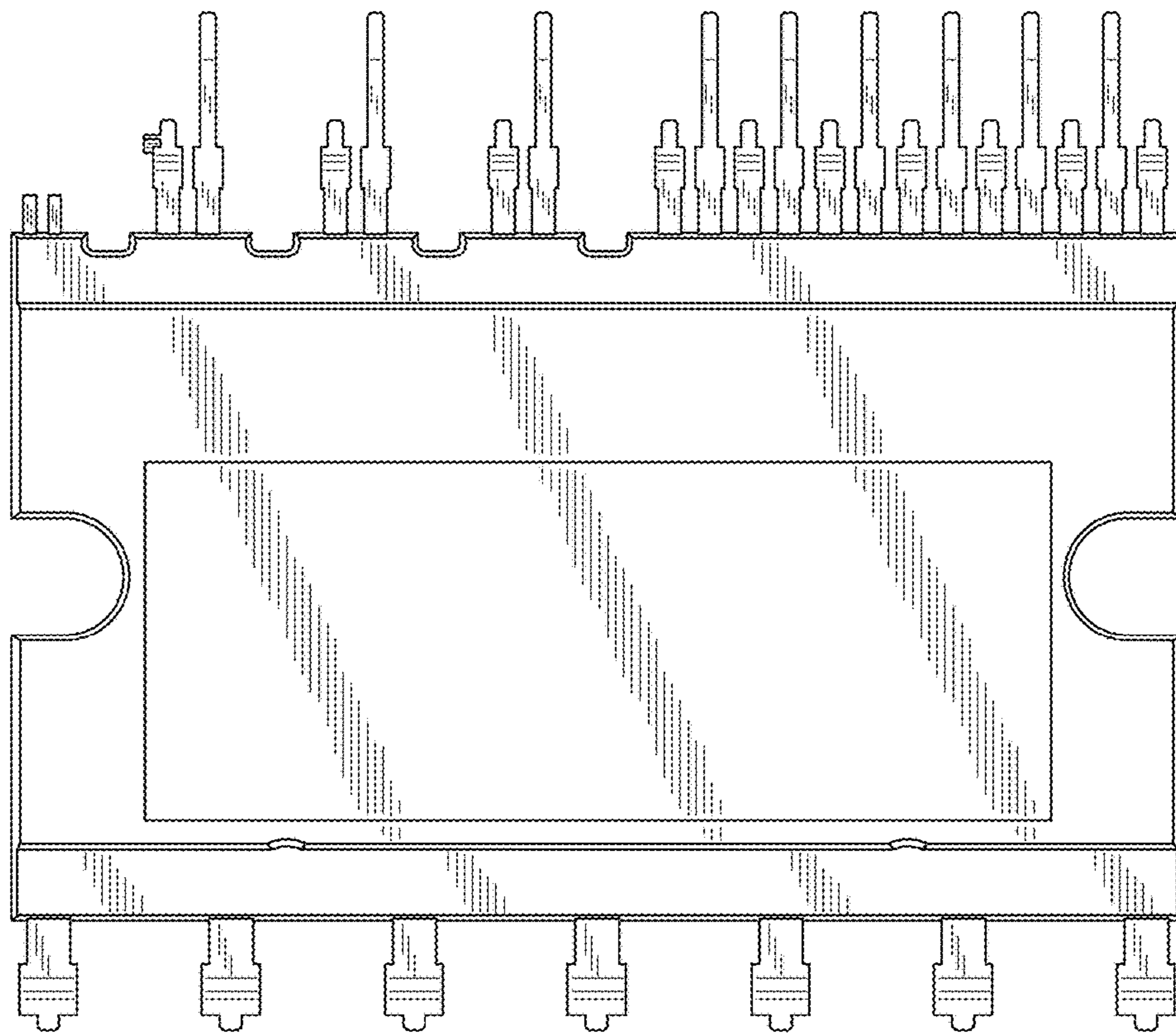


FIG. 4

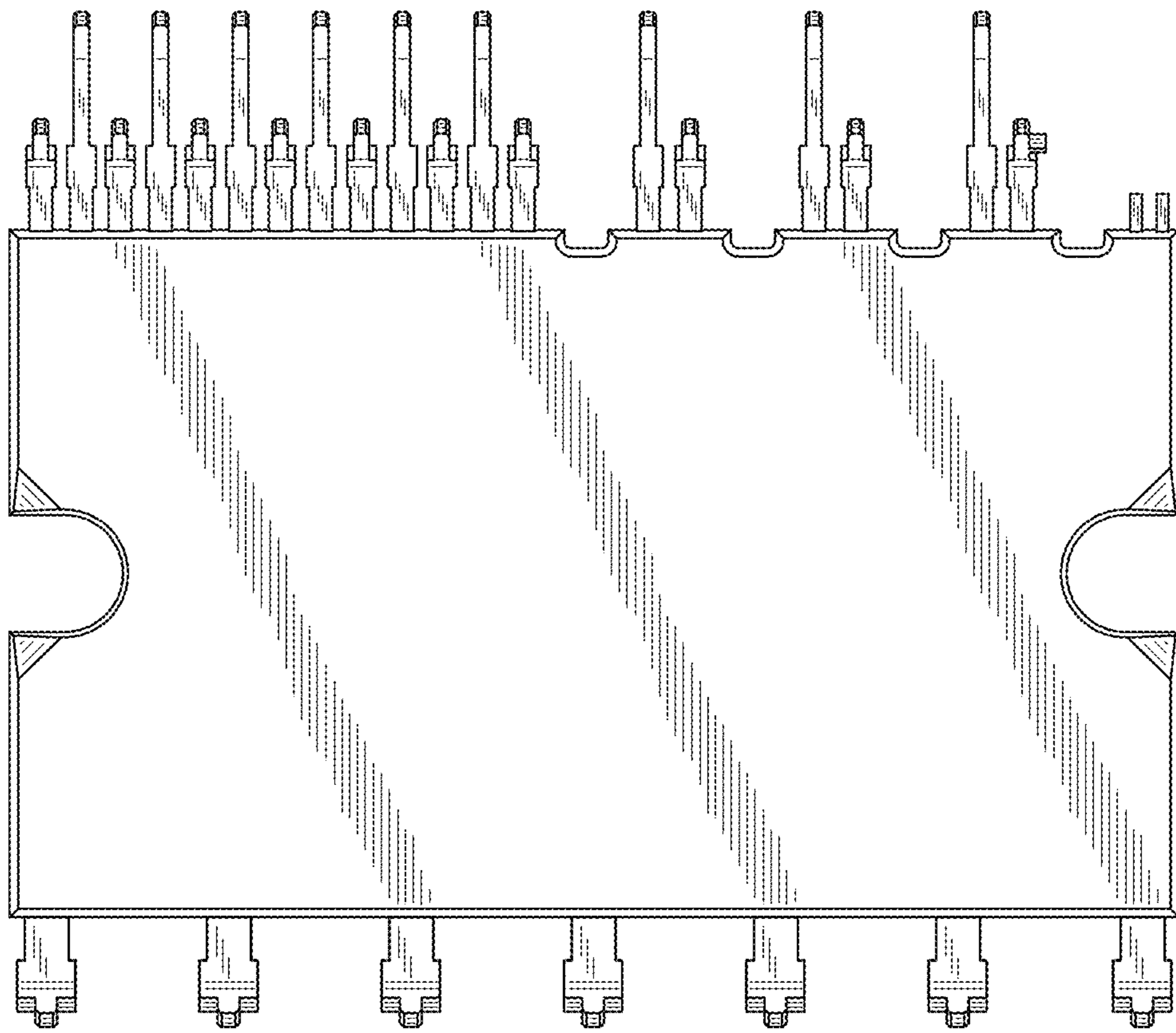


FIG. 5

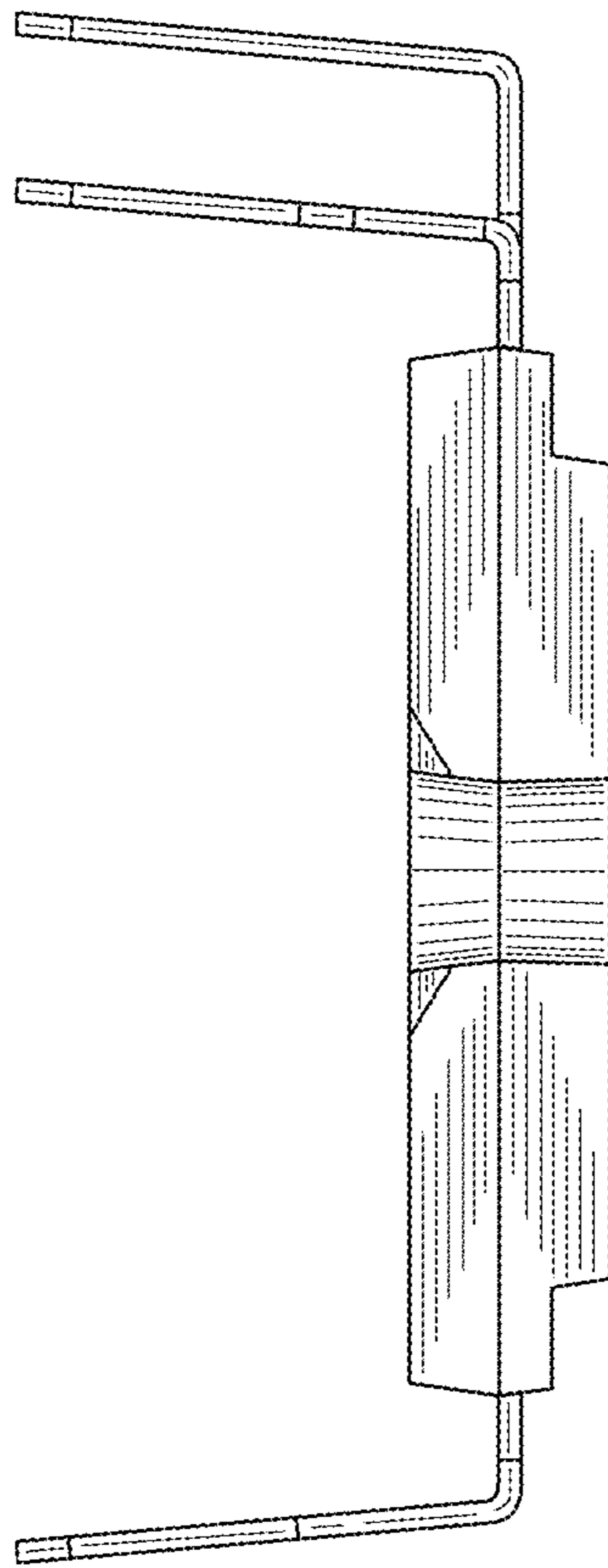


FIG. 6

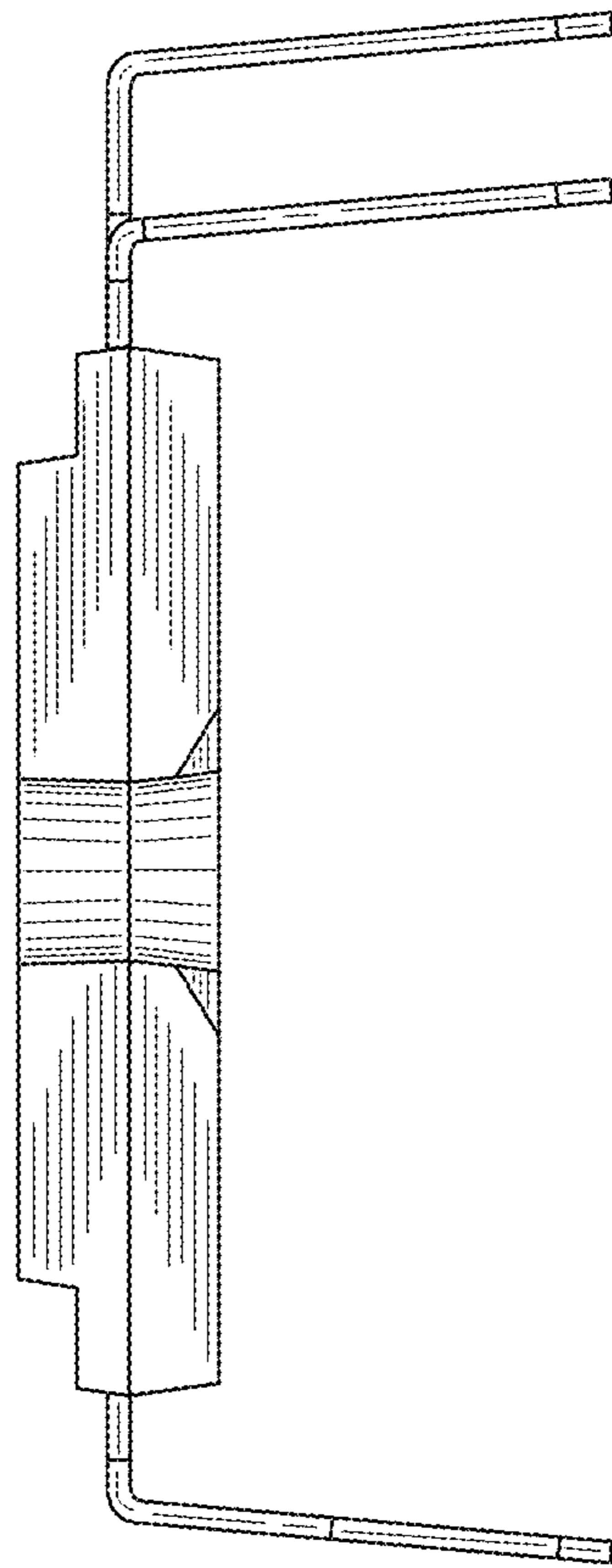


FIG. 7

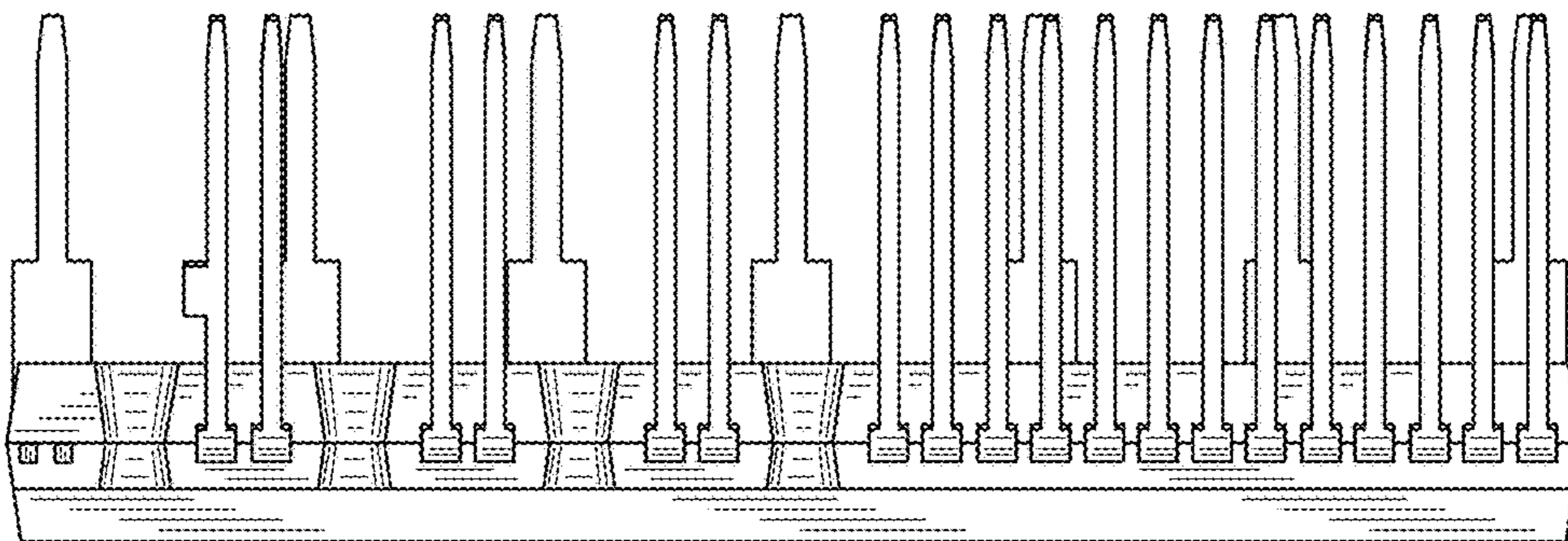


FIG. 8

