



US00D783547S

(12) **United States Design Patent**  
**Bergmann et al.**

(10) **Patent No.:** **US D783,547 S**  
(45) **Date of Patent:** **\*\* Apr. 11, 2017**

(54) **LED PACKAGE**

- (71) Applicant: **Cree, Inc.**, Durham, NC (US)
- (72) Inventors: **Michael John Bergmann**, Raleigh, NC (US); **Jesse Reiherzer**, Wake Forest, NC (US); **Joseph Gates Clark**, Raleigh, NC (US); **Benjamin Jacobson**, Chicago, IL (US); **Sung Chul Joo**, Raleigh, NC (US)
- (73) Assignee: **CREE, INC.**, Durham, NC (US)
- (\*\*) Term: **15 Years**
- (21) Appl. No.: **29/529,243**
- (22) Filed: **Jun. 4, 2015**
- (51) **LOC (10) Cl.** ..... **13-03**
- (52) **U.S. Cl.**  
USPC ..... **D13/180**
- (58) **Field of Classification Search**  
USPC ..... **D13/180; D26/1**

(Continued)

(56) **References Cited**

**U.S. PATENT DOCUMENTS**

4,013,916 A	3/1977	Brown
4,946,547 A	8/1990	Palmour
5,040,868 A	8/1991	Waitl
5,200,022 A	4/1993	Kong
RE34,861 E	2/1995	Davis
5,951,150 A	9/1999	Helstern

(Continued)

**FOREIGN PATENT DOCUMENTS**

CN	1417868 A	5/2003
CN	1977399	6/2007

(Continued)

**OTHER PUBLICATIONS**

Office Action from Japanese Patent appl. No. 2007-228699, dated May 22, 2015.

(Continued)

*Primary Examiner* — Selina Sikder  
(74) *Attorney, Agent, or Firm* — Koppel, Patrick, Heybl & Philpott

(57) **CLAIM**

The ornamental design for a LED package, as shown and described herein.

**DESCRIPTION**

FIG. 1 is a top, front, left side perspective view of an LED package showing one embodiment of package configuration according to the present invention.

FIG. 2 is a front elevation view of the LED shown in FIG. 1, the rear elevation view being a mirror image.

FIG. 3 is a left side elevation view of the LED package shown in FIG. 1, the right side elevation view being a mirror image.

FIG. 4 is a top plan view of the LED package shown in FIG. 1.

FIG. 5 is a bottom plan view of the LED package shown in FIG. 1.

FIG. 6 is a top, front, left side perspective view of an LED package showing one embodiment of package configuration according to the present invention.

FIG. 7 is a front elevation view of the LED shown in FIG. 2, the rear elevation view being a mirror image.

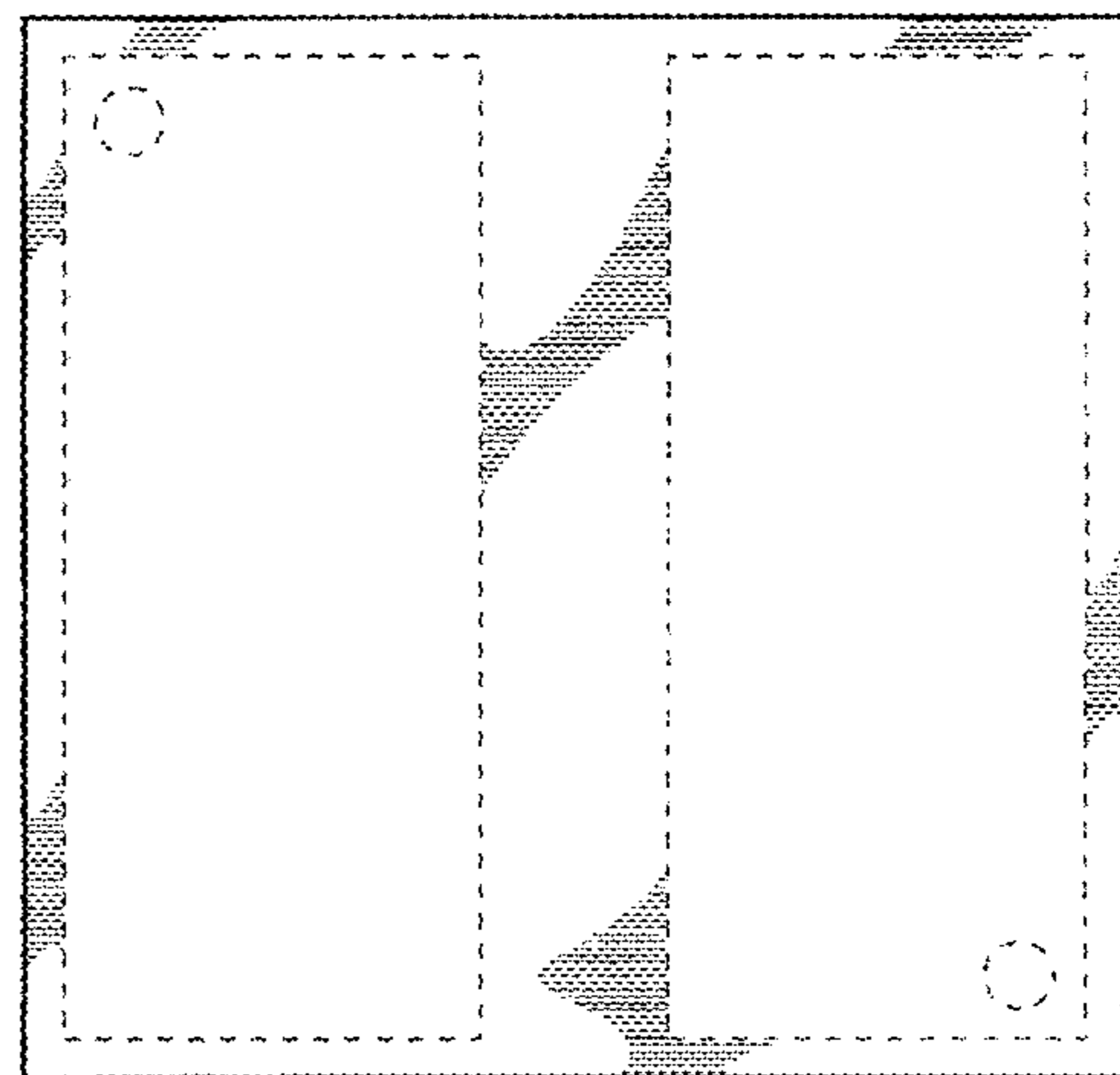
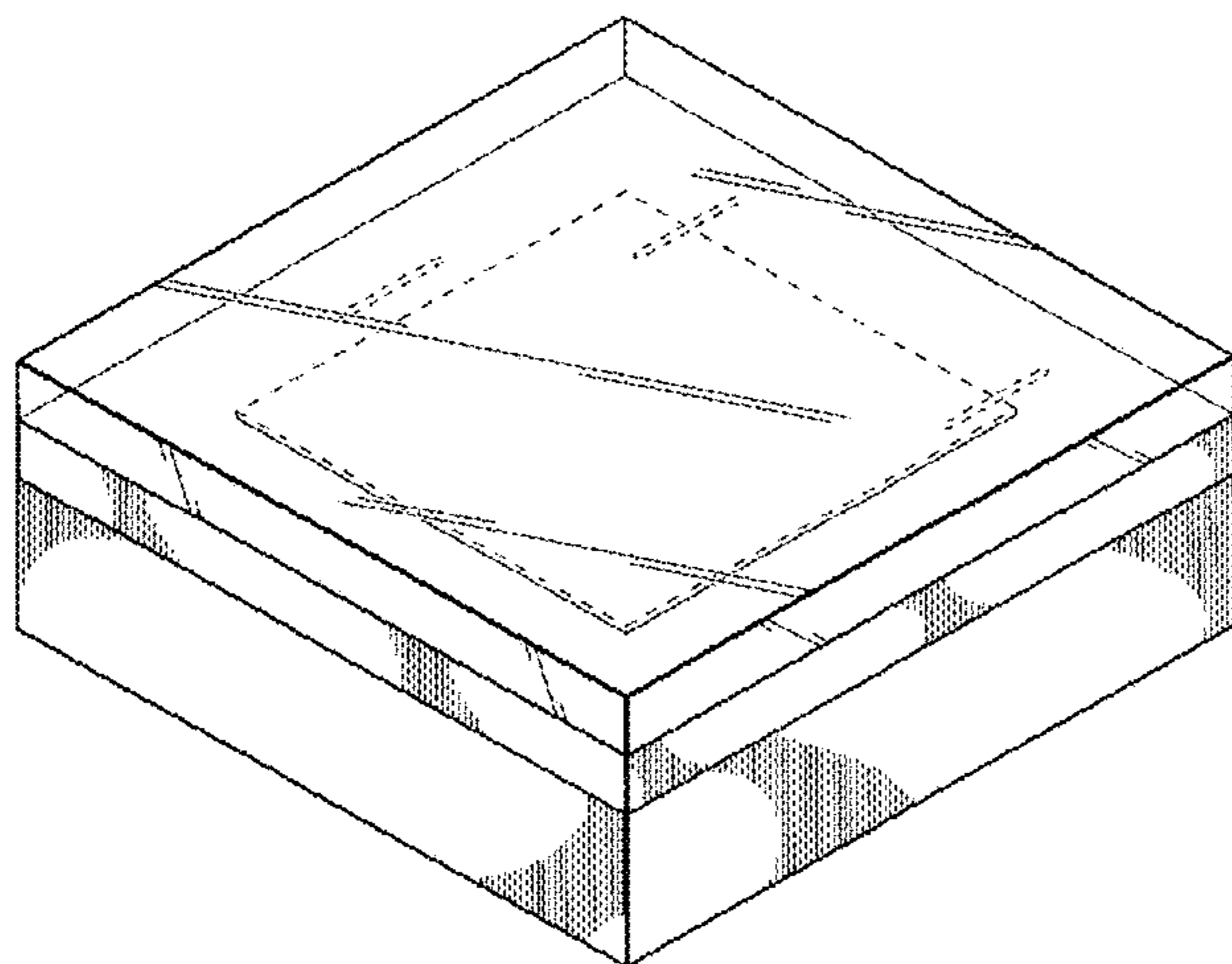
FIG. 8 is a left side elevation view of the LED package shown in FIG. 2, the right side elevation view being a mirror image.

FIG. 9 is a top plan view of the LED package shown in FIG. 2; and,

FIG. 10 is a bottom plan view of the LED package shown in FIG. 2.

Broken lines in the figures are for illustrative purposes only and form no part of the claimed design.

**1 Claim, 4 Drawing Sheets**





(56)

**References Cited**

## FOREIGN PATENT DOCUMENTS

WO	WO-2006060141	A2	6/2006
WO	WO-2011061650	A1	5/2011
WO	WO-2012128966	A3	9/2012

## OTHER PUBLICATIONS

- Office Action from Taiwanese Patent appl. No. 099145035, dated Apr. 22, 2015.
- Notice of Allowance from Korean Patent Appl. No. 30-2014-0016126, dated Jun. 1, 2015.
- Notice of Allowance from Korean Patent Appl. No. 30-2014-0006603, dated Apr. 2, 2015.
- Patent Issue Notice from Taiwanese Design Patent No D-166931, dated Apr. 1, 2015.
- U.S. Appl. No. 11/473,089, filed Jun. 21, 2006, Tarsa et al.
- U.S. Appl. No. 11/656,759, filed Jan. 22, 2007, Chitnis et al.
- U.S. Appl. No. 11/818,818, filed Jun. 2007, Chakraborty et al.
- U.S. Appl. No. 11/895,573, filed Aug. 2007, Chakraborty et al.
- U.S. Appl. No. 11/899,790, filed Sep. 7, 2007, Chitnis et al.
- U.S. Appl. No. 12/002,429, filed Dec. 2007, Loh et al.
- U.S. Appl. No. 12/463,709, filed May 11, 2009, Donofrio.
- U.S. Appl. No. 12/475,261, filed May 2009, Nagley et al.
- U.S. Appl. No. 12/498,253, filed Jul. 2009, Le Toquin et al.
- U.S. Appl. No. 12/717,048, filed Jun. 24, 2010, Donofrio.
- U.S. Appl. No. 12/873,303, filed Aug. 31, 2010, Edmond et al.
- U.S. Appl. No. 13/034,501, filed Feb. 24, 2011, Le et al.
- U.S. Appl. No. 13/028,946, filed Feb. 16, 2011, Le et al.
- U.S. Appl. No. 13/219,486, filed Aug. 2011, Ibbetson et al.
- U.S. Appl. No. 13/306,589, filed Nov. 2011, Tarsa et al.
- U.S. Appl. No. 13/345,2215, filed Jan. 2012, Lu et al.
- U.S. Appl. No. 13/368,217, filed Feb. 7, 2012, Pickard et al.
- U.S. Appl. No. 13/544,662, filed Jul. 2012, Tarsa et al.
- U.S. Appl. No. 13/770,389, filed Feb. 2013, Lowes et al.
- U.S. Appl. No. 13/804,309, filed Mar. 2013, Castillo et al.
- U.S. Appl. No. 13/842,307, filed Mar. 2013, Ibbetson et al.
- Citizen Micro HumanTech. "COB-High-wattage Series and Low-wattage Series." Short Form Lighting LED Catalog 2012. Citizen Electronics Co. Ltd. Japan. 12 pages.
- Cree family of LED chips. DA, EZ, GaN, MB, RT,TR, UT, and XT. Printout from cree.com. 2 pages.
- Cree XLampC family product info printout, from cree.com, 20 pages.
- Cree XLampXM product info printout, from cree.com, 13 pages.
- Non-Final OA for U.S. Appl. No. 13/051,894 dated Jan. 14, 2013.
- Definition of 'composite', Oxford American English Dictionary, 2 pages, [http://oxforddictionaries.com/us/definition/american\\_english/composite?q=composite](http://oxforddictionaries.com/us/definition/american_english/composite?q=composite).
- International Search Report for PCT Patent Application No. PCT/US2012/028327 dated Nov. 23, 2012.
- Final Office Action from U.S. Appl. No. 13/040,088 dated May 7, 2013.
- Chinese Office Action for Patent Application No. 201210031021.0 dated Dec. 30, 2013.
- Final Office Action for U.S. Appl. No. 13/051,894 dated Aug. 19, 2013.
- Non-Final Office Action from U.S. Appl. No. 13/040,088 dated Sep. 13, 2013.
- International Report on Patentability and Written Opinion for Application No. Application No. PCT/US2012/028327 dated Sep. 24, 2013.
- Second Office Action from Chinese Patent Appl. No. 201210031021.0 dated Jun. 4, 2014.
- International Search Report and Written Opinion from PCT/US2013/062640 dated May 22, 2014.
- Office Action from U.S. Appl. No. 13/051,894 dated Jun. 18, 2014.
- Office Action from U.S. Appl. No. 13/649,067 dated Jul. 7, 2014.
- Office Action from U.S. Appl. No. 13/649,052 dated Jul. 24, 2014.
- International Search Report for Application No. PCT/US2014/045888 dated Sep. 11, 2014.
- Non-Final Office Action for U.S. Appl. No. 13/672,592 dated Jan. 7, 2015.
- Non-Final Office Action for U.S. Appl. No. 13/899,314 dated Jan. 15, 2015.
- Non-Final Office Action for U.S. Appl. No. 13/958,461 dated Mar. 10, 2015.
- Final Office Action for U.S. Appl. No. 13/842,150 dated Jan. 22, 2015.
- Final Office Action for U.S. Appl. No. 13/829,558 dated Mar. 9, 2015.
- U.S. Appl. No. 29/412,854, filed Mar. 2012, Leung, et al.
- Design of Registration Notice from Japanese Patent Appl. No. 2012-030304, dated Jan. 21, 2014.
- First Office Action from Chinese Patent Appl. No. 201330052393.7, dated Jan. 9, 2014.
- Notice of Allowance and Search Report for Taiwanese Patent Appl. No. 101307391, dated Oct. 15, 2013.
- Notice to Submit a Response from Korean Patent Appl. No. 30-2012-0059744, dated Nov. 26, 2013.
- Letter of Examination Report from Taiwanese Patent appl. No. 101307391, dated Jun. 5, 2013.
- Reasons for Rejection from Japanese Design Patent Appl. No. 2013-004502, dated Aug. 6, 2013.
- Examination Report from Taiwanese Patent Appl. No. 102301478, dated Sept. 6, 2013.
- Cree® XLamp® MC-E LEDs Product Info Sheets. 14 pages.
- Nichia Corporation LEDs. Models NSSM016G, NSSM227, NESM026X, NSSM026BB, NESM005A. 9 pages.
- Decision of Registration from Japanese Design Patent Application No. 2013-025955, dated Jun. 24, 2014.
- Decision of Registration from Japanese Design Patent Application No. 2013-004502, dated Jun. 24, 2014.
- Office Action from Korean Patent Design Appl. No. 30-2013-0010610, dated Jul. 8, 2014.
- Examination and Search Report from Taiwanese Patent Appl. No. 103300731, dated Jul. 21, 2014.
- Examination Report from Taiwanese Patent appl. No. 102308472, dated May 14, 2014.
- Notice of Issuance of Chinese Patent Appl. No. 201930021959.0, dated May 21, 2014.
- First Office Action from Chinese Design Patent appl. No. 201330524820.7, dated Feb. 20, 2014.
- Notice of Allowance from Korean Patent Appl. No. 30-2013-0010610, dated Oct. 17, 2014.
- Notice to Submit a Response from Korean Design Appl. No. 30-2014-0016126, dated Nov. 7, 2014.
- Patent Certificate from Chinese Design Patent Appl. No. ZL 2013 3 0524820.7, dated Nov. 4, 2013.
- Office Action from Korean Patent Appl. No. 30-2014-0006603, dated Nov. 12, 2014.
- Office Action from U.S. Appl. No. 29/424,353, dated Dec. 26, 2013.
- Notice to Submit a Response from Korean Design Appl. No. 30-2012-0059744 dated Apr. 26, 2014.
- Notice of Allowance of Taiwanese Appl. No. 103300731, dated Jan. 21, 2015.
- U.S. Appl. No. 11/656,759, filed Jan. 22, 2007, Chitnis, et al.
- U.S. Appl. No. 11/899,790, filed Sep. 7, 2007, Chitnis, et al.
- U.S. Appl. No. 11/473,089, filed Jun. 21, 2006, Tarsa, et al.
- U.S. Appl. No. 13/909,927, filed Jun. 4, 2013, Heikman, et al.
- U.S. Appl. No. 14/014,490, filed Mar. 7, 2014, Bhat, et al.
- U.S. Appl. No. 13/029,063, filed Feb. 16, 2011, Hussell, et al.
- U.S. Appl. No. 11/818,818, filed Jun. 14, 2007, Chakraborty, et al.
- U.S. Appl. No. 11/895,573, filed Aug. 24, 2007, Chakraborty.
- U.S. Appl. No. 12/498,253, filed Jul. 6, 2008, LeToquin.
- U.S. Appl. No. 13/902,080, filed May 24, 2013, Lowes, et al.
- U.S. Appl. No. 14/185,123, filed Feb. 20, 2014, Kircher, et al.
- EZ Bright Family of LEDs from Cree, Cree EZ900tm Gen II LEDs, Data Sheet. 6 pages available at cree.com.
- T-Clad Thermal Substrates from the Bergquist Company. [http://.bergquistcompany.com/thermal\\_substrates/t-clad-product-overview.htm](http://.bergquistcompany.com/thermal_substrates/t-clad-product-overview.htm), 3 pages.
- Office Action from U.S. Appl. No. 29/462,795, dated Oct. 7, 2015.
- Response to OA from U.S. Appl. No. 29/462,795, filed Nov. 23, 2015.

\* cited by examiner

FIG. 1

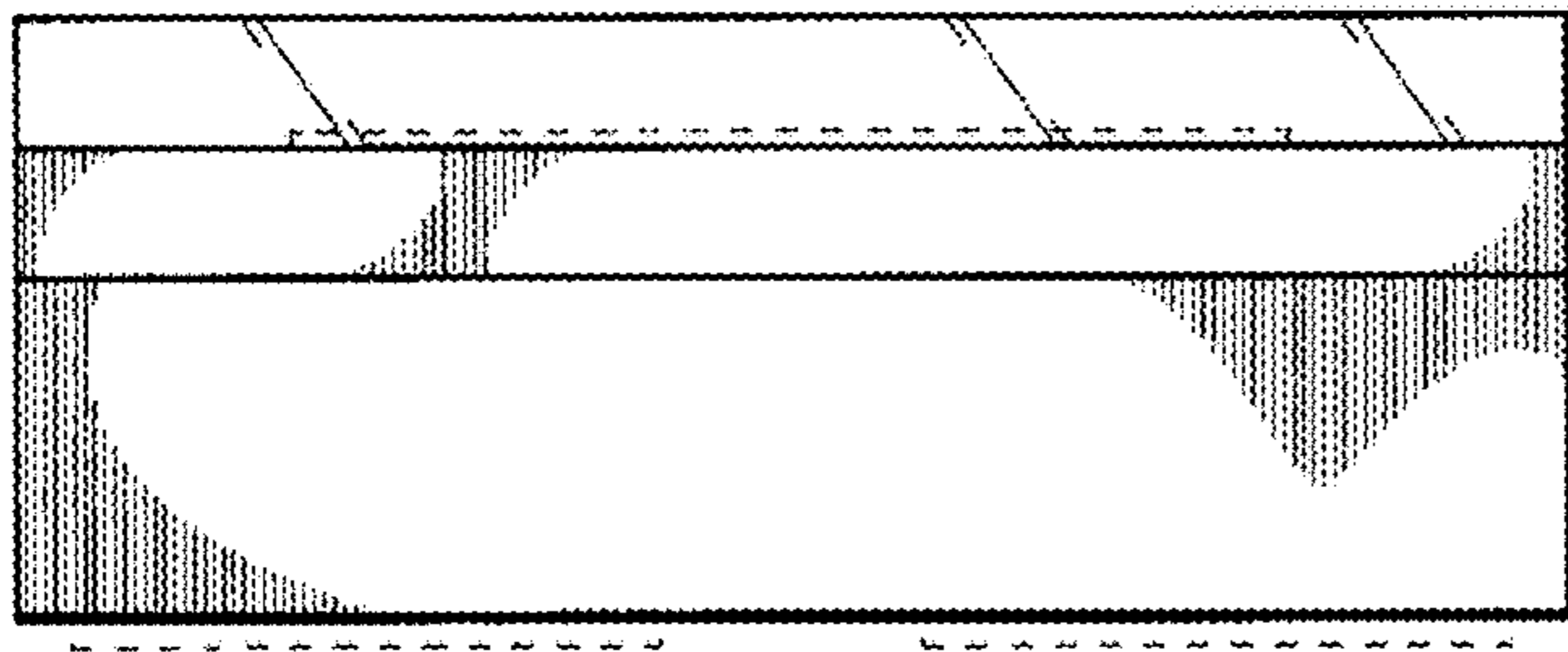
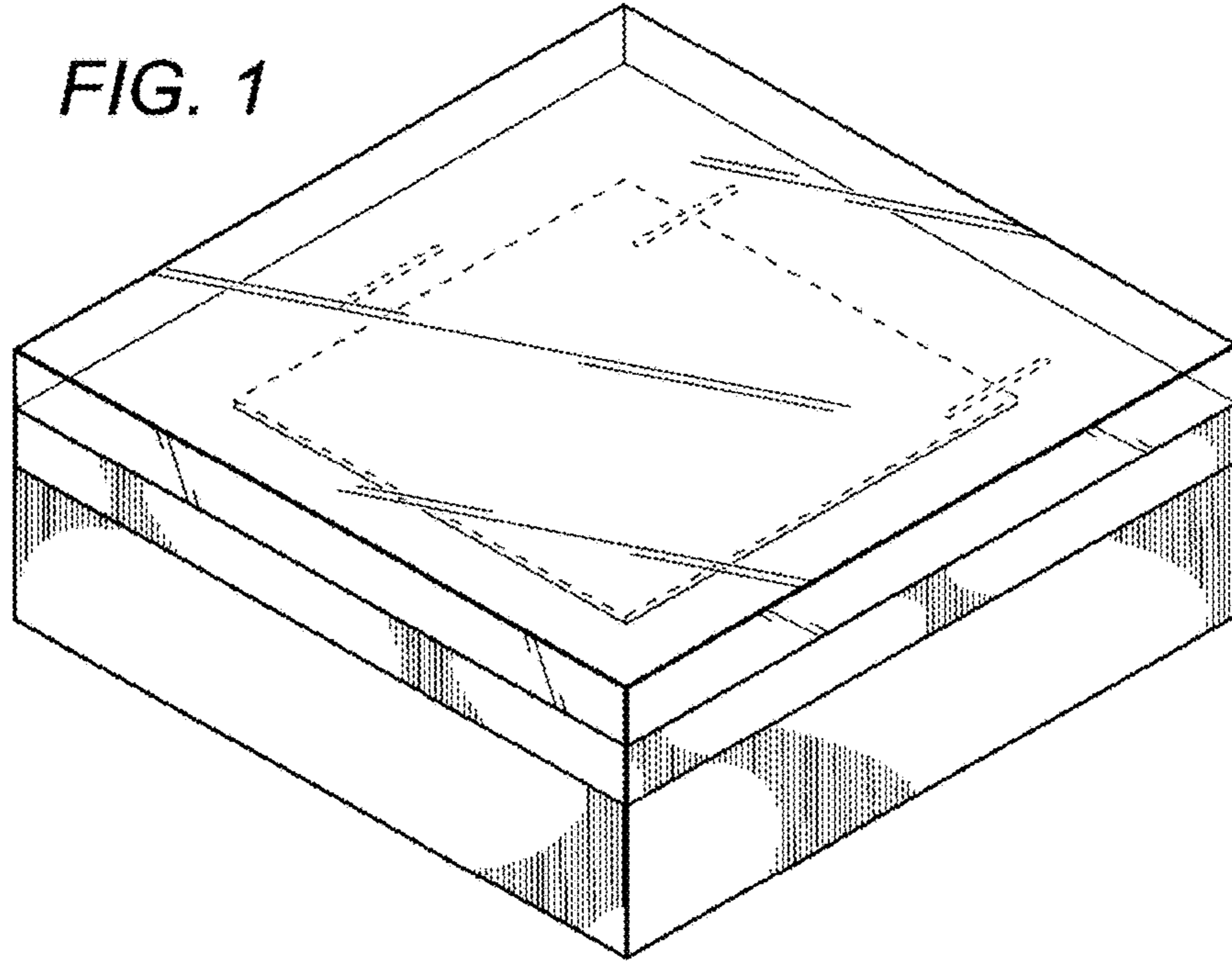


FIG. 2

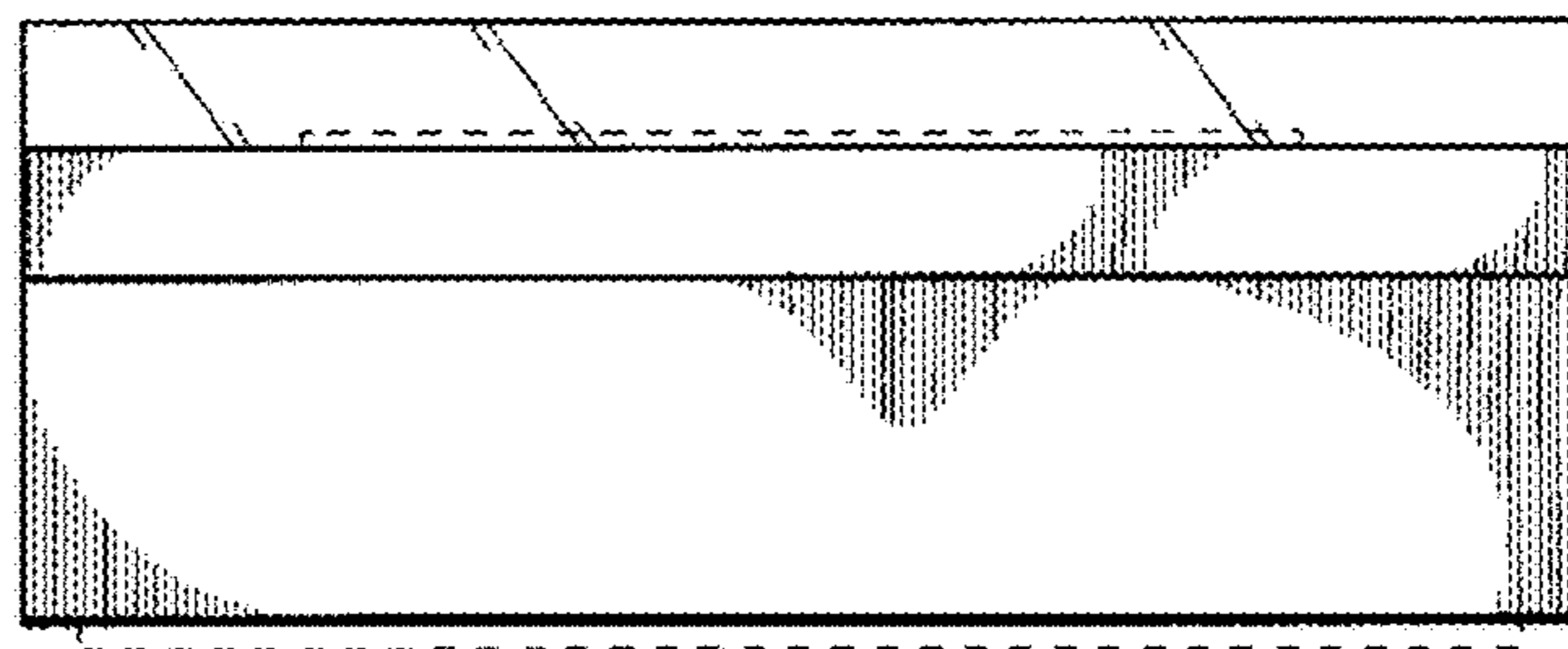


FIG. 3

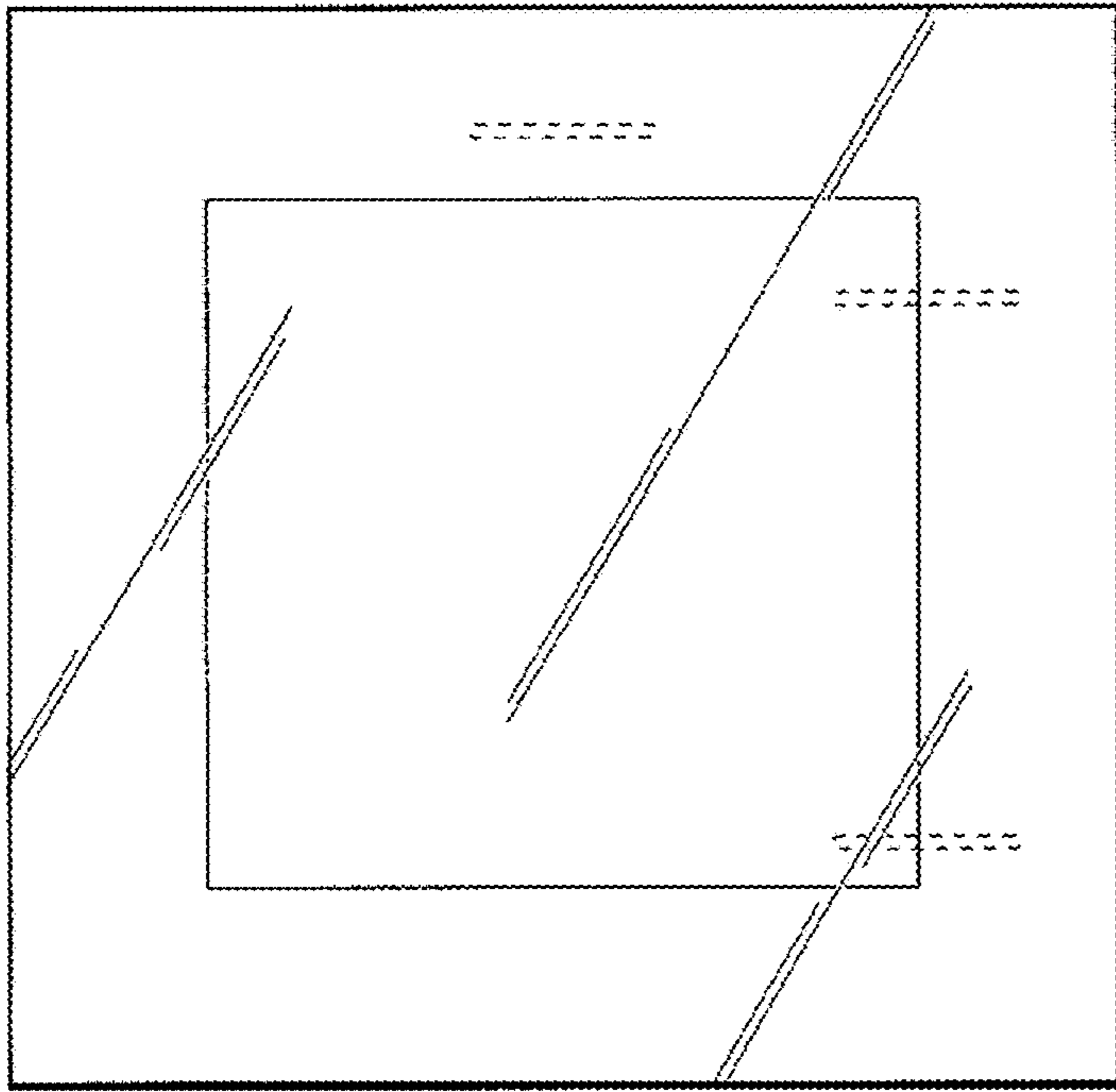


FIG. 4

FIG. 5

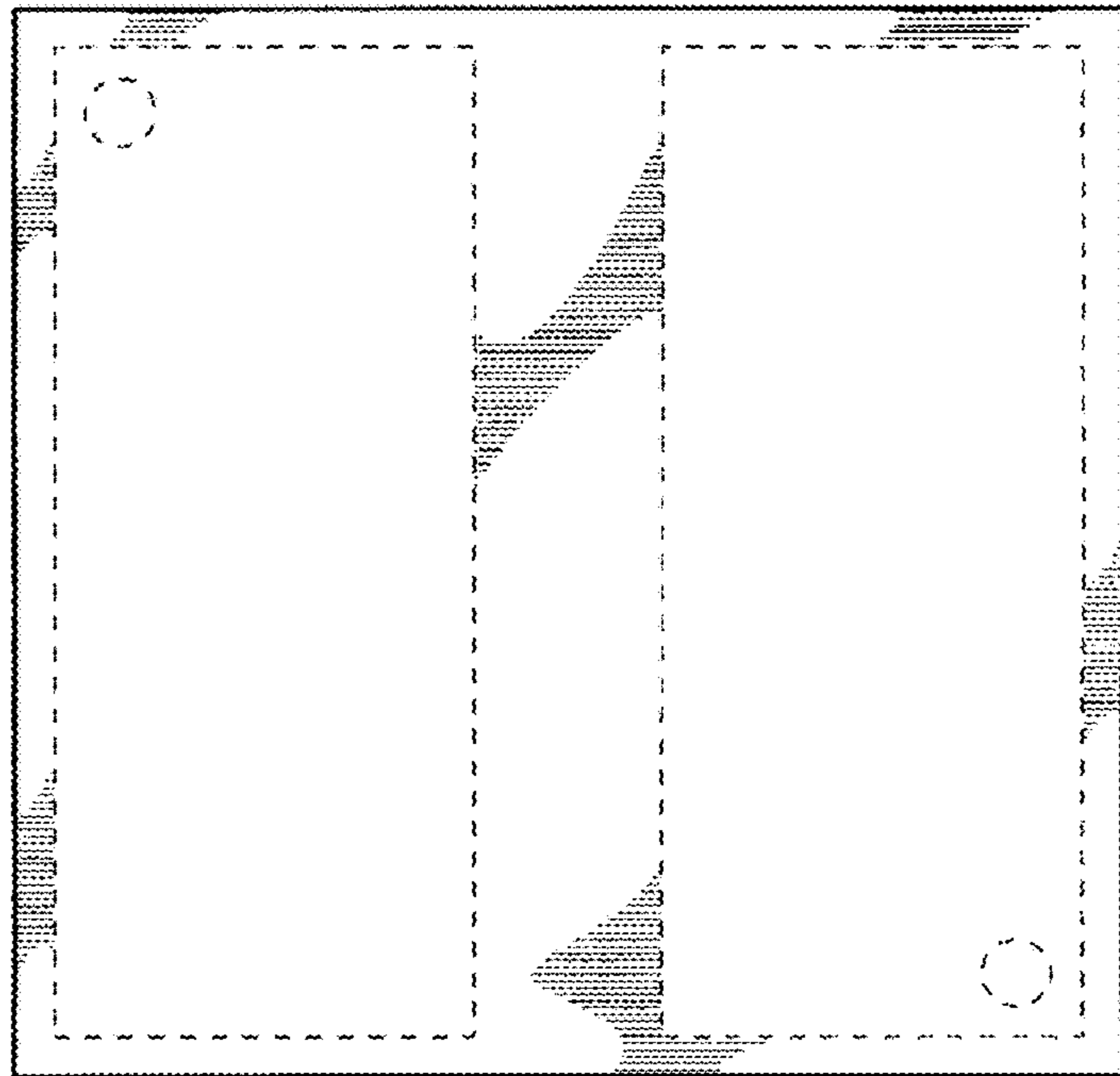


FIG. 6

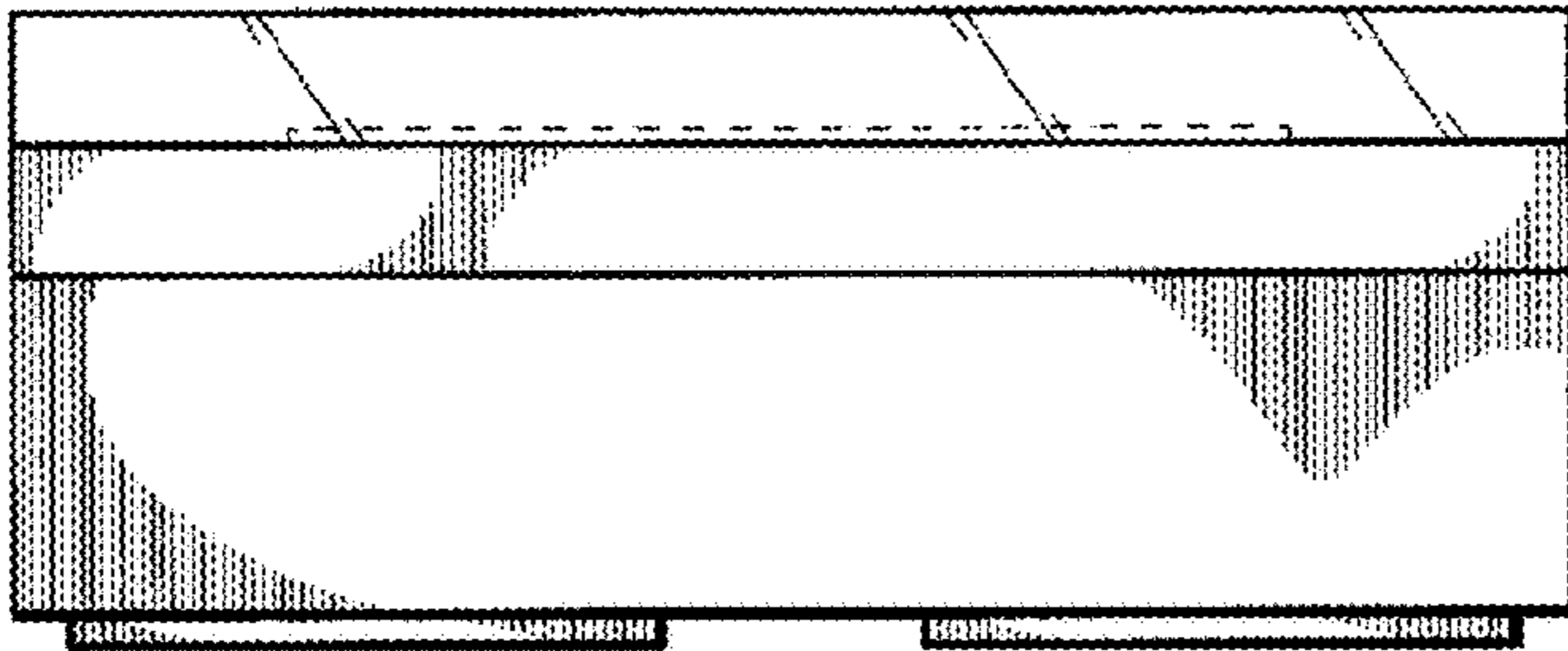
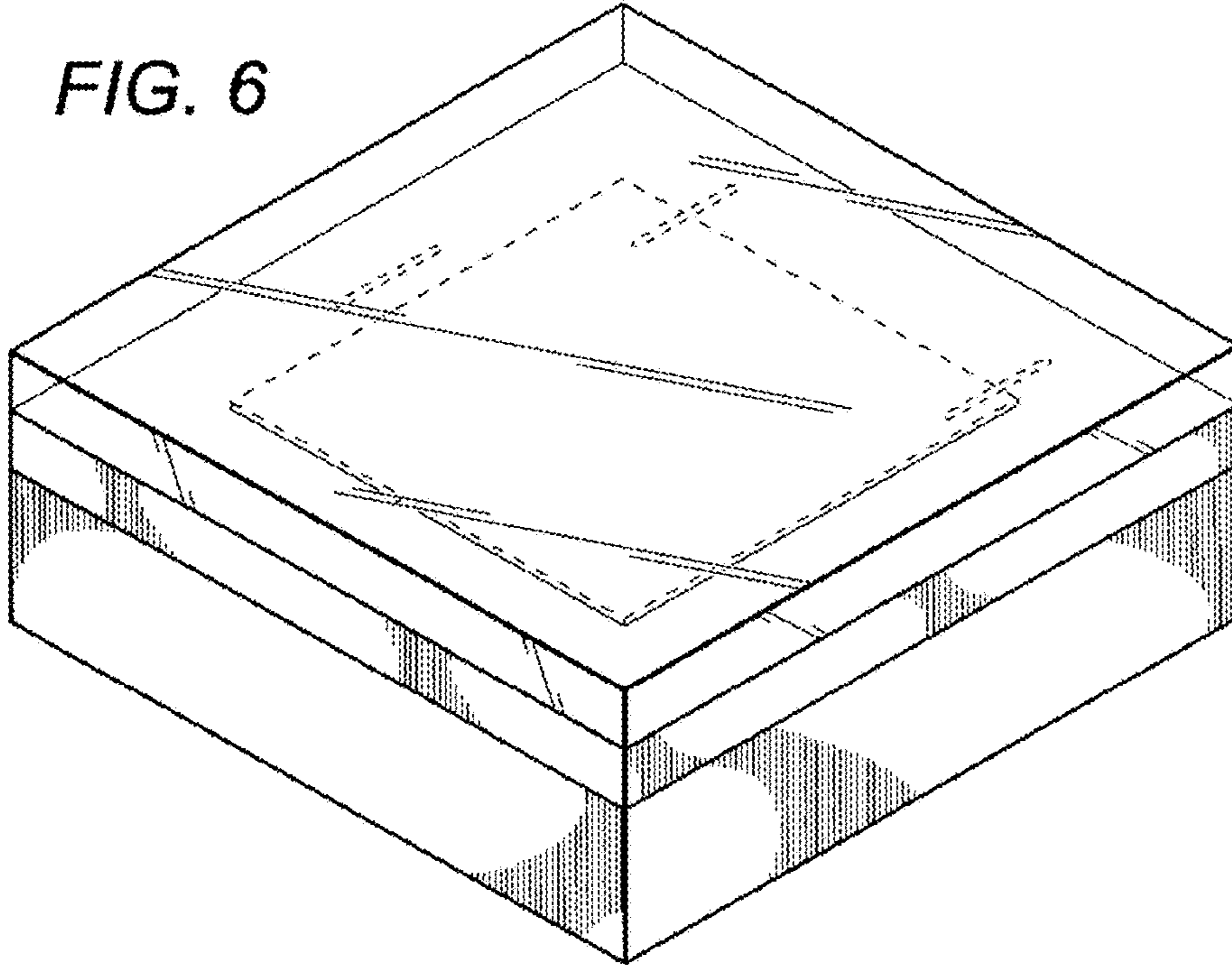


FIG. 7

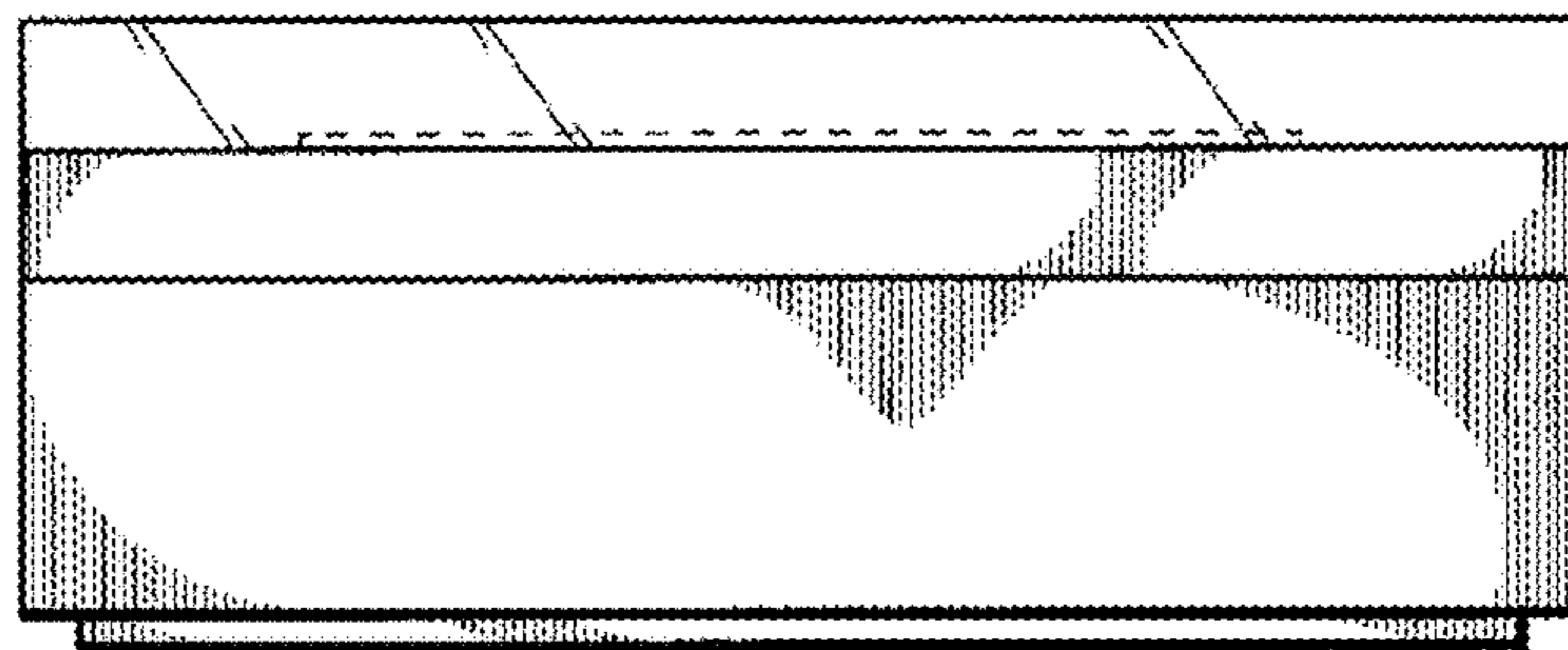


FIG. 8

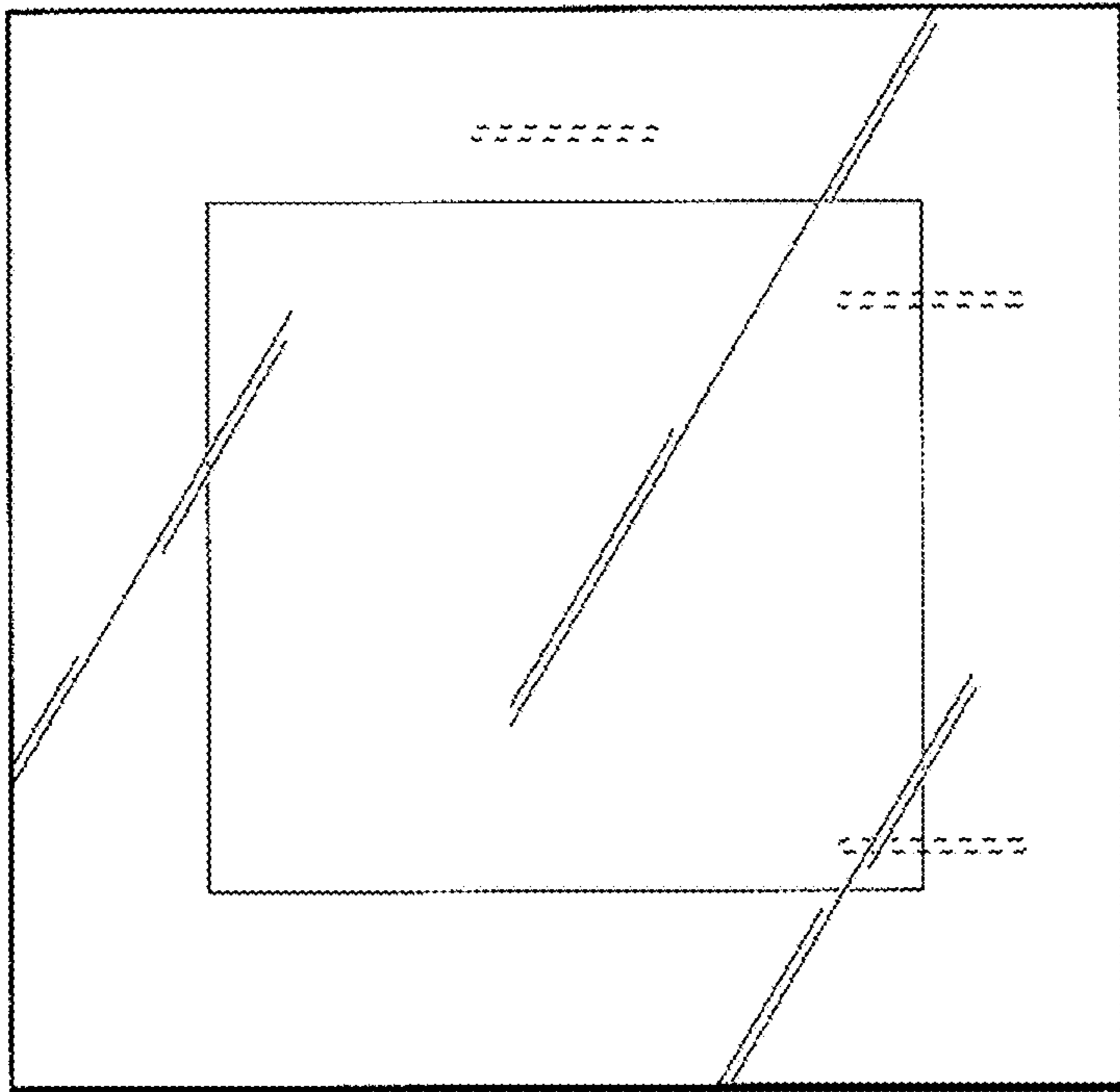


FIG. 9

FIG. 10

