



US00D783545S

(12) **United States Design Patent** (10) **Patent No.:** **US D783,545 S**  
**Feldstein et al.** (45) **Date of Patent:** **\*\* Apr. 11, 2017**

(54) **CONTROL PANEL WITH KEYPAD**  
(71) Applicant: **Crestron Electronics, Inc.**, Rockleigh, NJ (US)  
(72) Inventors: **Wendy Feldstein**, Old Tappan, NJ (US); **Sae Jhun**, Bayside, NY (US)  
(73) Assignee: **Crestron Electronics Inc.**, Rockleigh

D678,218 S 3/2013 Sheen  
D678,219 S \* 3/2013 Higashijima ..... D13/168  
D711,837 S 8/2014 Clymer et al.  
D716,752 S \* 11/2014 Katori ..... D10/50  
D719,107 S 12/2014 Clymer et al.  
D735,144 S 7/2015 Restrepo et al.  
D737,697 S 9/2015 Bhattacharya  
D743,349 S 11/2015 Leeland et al.

(Continued)

(\*\*) Term: **15 Years**

(21) Appl. No.: **29/561,589**

(22) Filed: **Apr. 18, 2016**

(51) **LOC (10) Cl.** ..... **13-03**

(52) **U.S. Cl.**  
USPC ..... **D13/164**

(58) **Field of Classification Search**  
USPC ..... D13/162, 164, 168; D10/49, 50;  
D14/126, 336, 341, 371, 374  
CPC .... F24F 11/00; F24F 11/0012; F24F 11/0086;  
F24F 11/0009; F24F 2011/0057; F24F  
2011/0073; F24F 2011/0091; G05B  
19/0426; G05B 19/409; G05B 15/02;  
G06F 1/1601; G06F 3/0482; G06F  
3/0489; G05D 23/1902; G05D 23/1905;  
G05D 23/1931; H05B 37/02  
See application file for complete search history.

(56) **References Cited**

**U.S. PATENT DOCUMENTS**

D538,234 S 3/2007 Aupperle  
D571,675 S 6/2008 Skaf et al.  
D582,803 S \* 12/2008 Comerford ..... D10/50  
D614,975 S \* 5/2010 Fisher ..... D10/50  
D623,606 S \* 9/2010 Nakai ..... D13/168  
D640,992 S 7/2011 Margolin et al.  
D645,001 S 9/2011 Margolin et al.  
D658,591 S 5/2012 Margolin et al.  
D661,662 S \* 6/2012 Kikuchi ..... D13/168

**OTHER PUBLICATIONS**

U.S. Appl. No. 29/559,335, filed Mar. 28, 2016 by Crestron Electronics, Inc.

(Continued)

*Primary Examiner* — Selina Sikder

(74) *Attorney, Agent, or Firm* — Crestron Electronics Inc.

(57) **CLAIM**

The ornamental design for a control panel with keypad, as shown and described.

**DESCRIPTION**

FIG. 1 shows a front perspective view of a control panel with keypad.

FIG. 2 shows a front elevation view of the control panel with keypad.

FIG. 3 shows a top view of the control panel with keypad.

FIG. 4 shows a bottom view of the control panel with keypad.

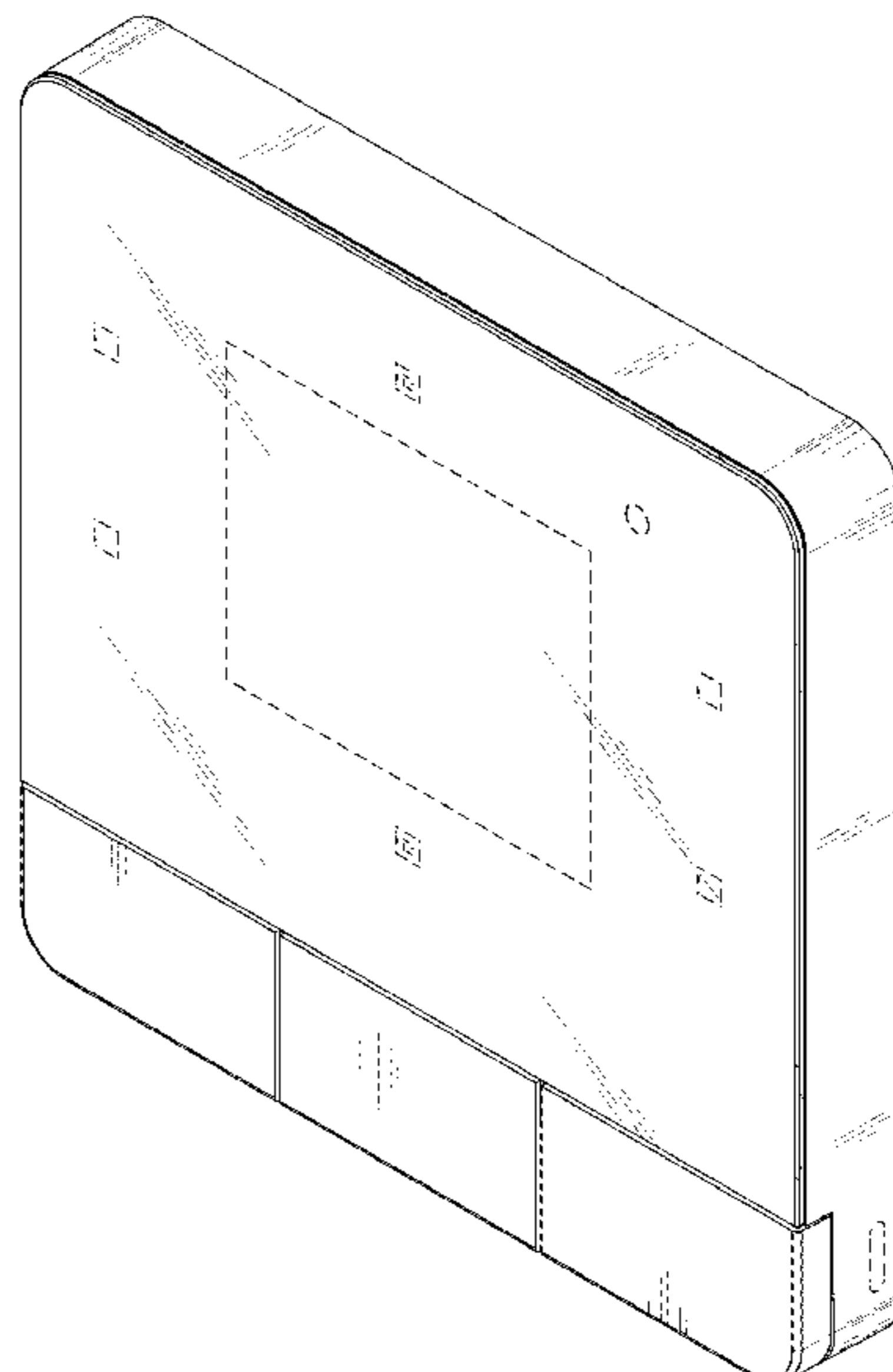
FIG. 5 shows a left side view of the control panel with keypad.

FIG. 6 shows a right side view of the control panel with keypad; and,

FIG. 7 shows a rear elevation view of the control panel with keypad.

The broken lines in the figures depict portions of the control panel with keypad that form no part of the claimed design.

**1 Claim, 5 Drawing Sheets**



(56)

**References Cited**

U.S. PATENT DOCUMENTS

D744,433 S 12/2015 Baumgartner et al.  
D770,393 S \* 11/2016 Jacoby ..... D13/164

OTHER PUBLICATIONS

U.S. Appl. No. 29/559,337, filed Mar. 28, 2016 by Crestron Electronics, Inc.

\* cited by examiner

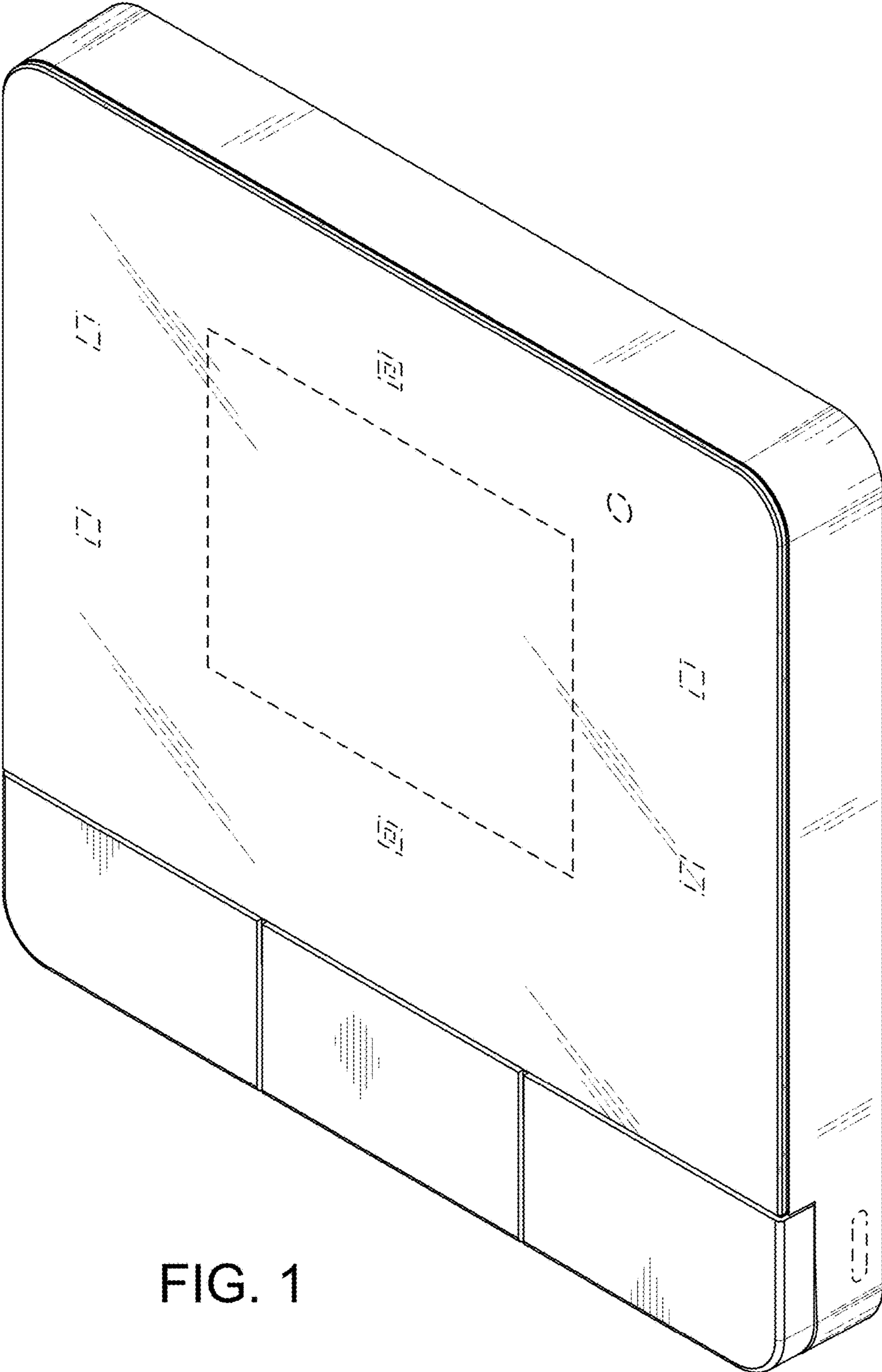


FIG. 1

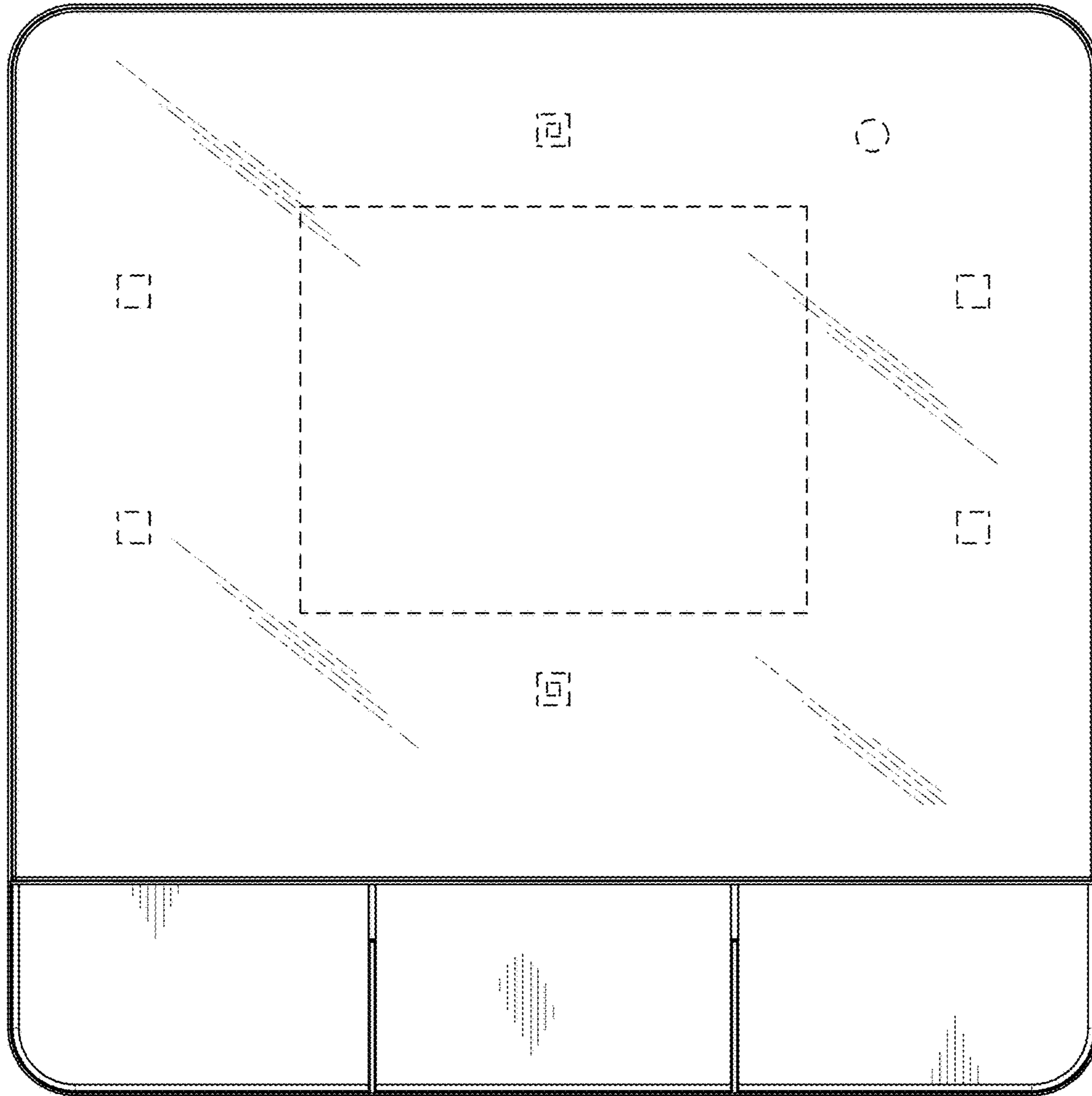


FIG. 2

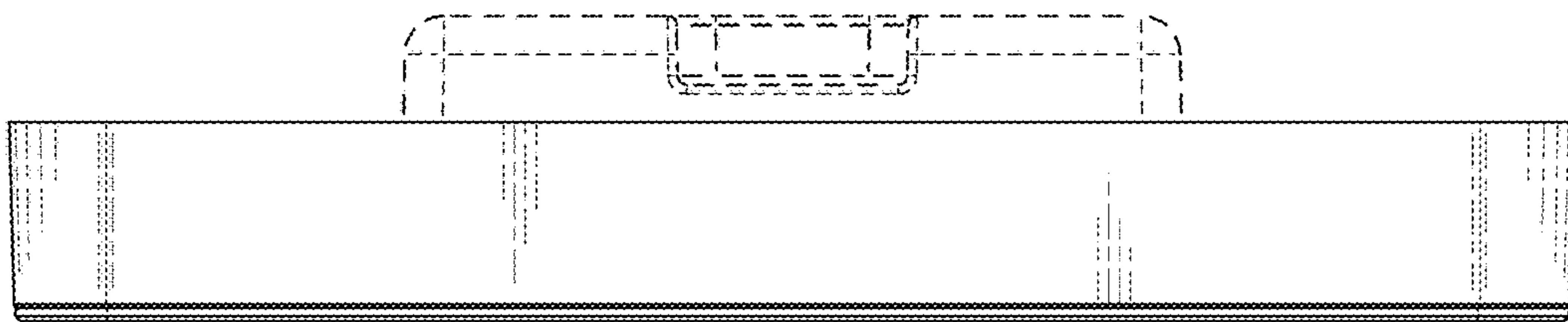


FIG. 3

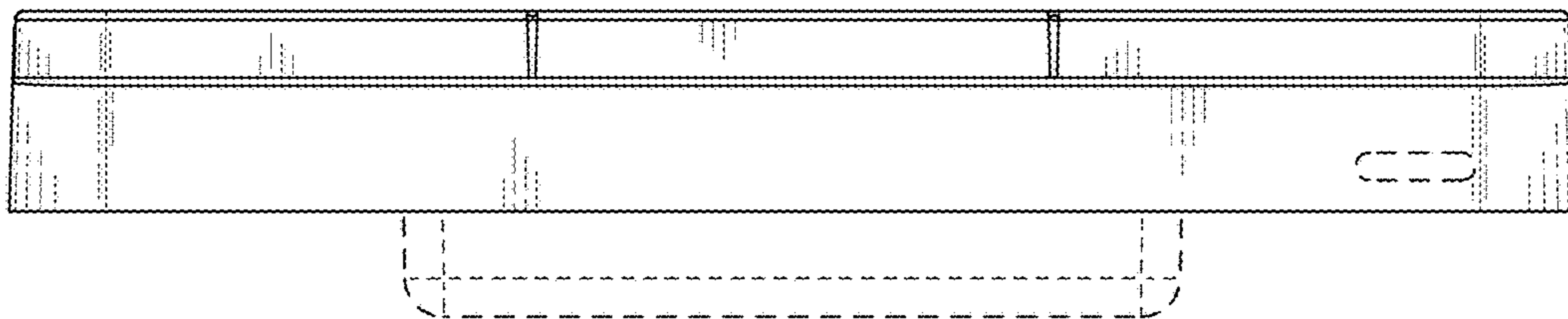


FIG. 4

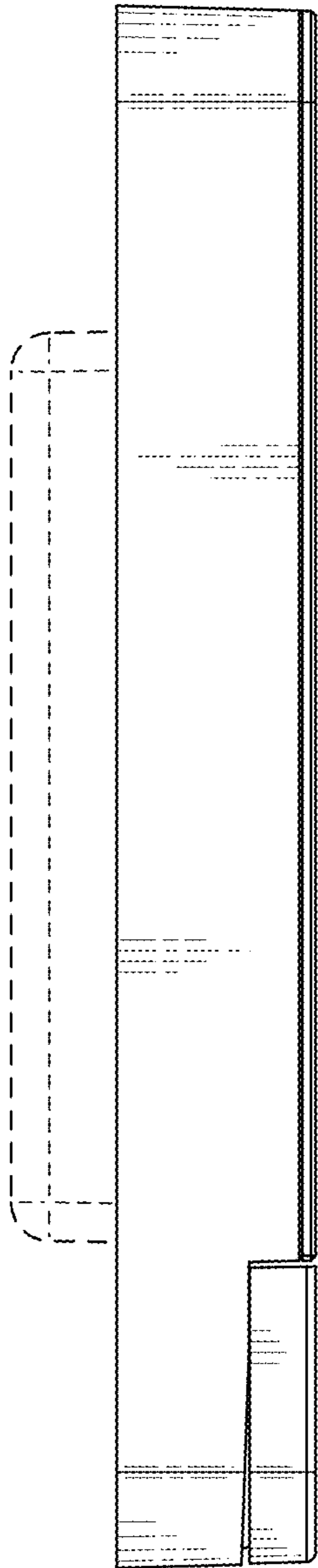


FIG. 5

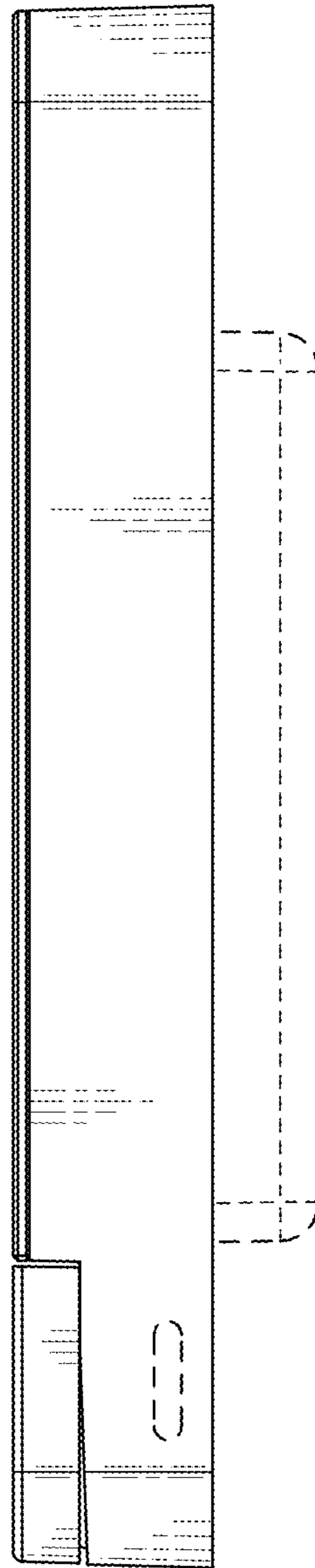


FIG. 6

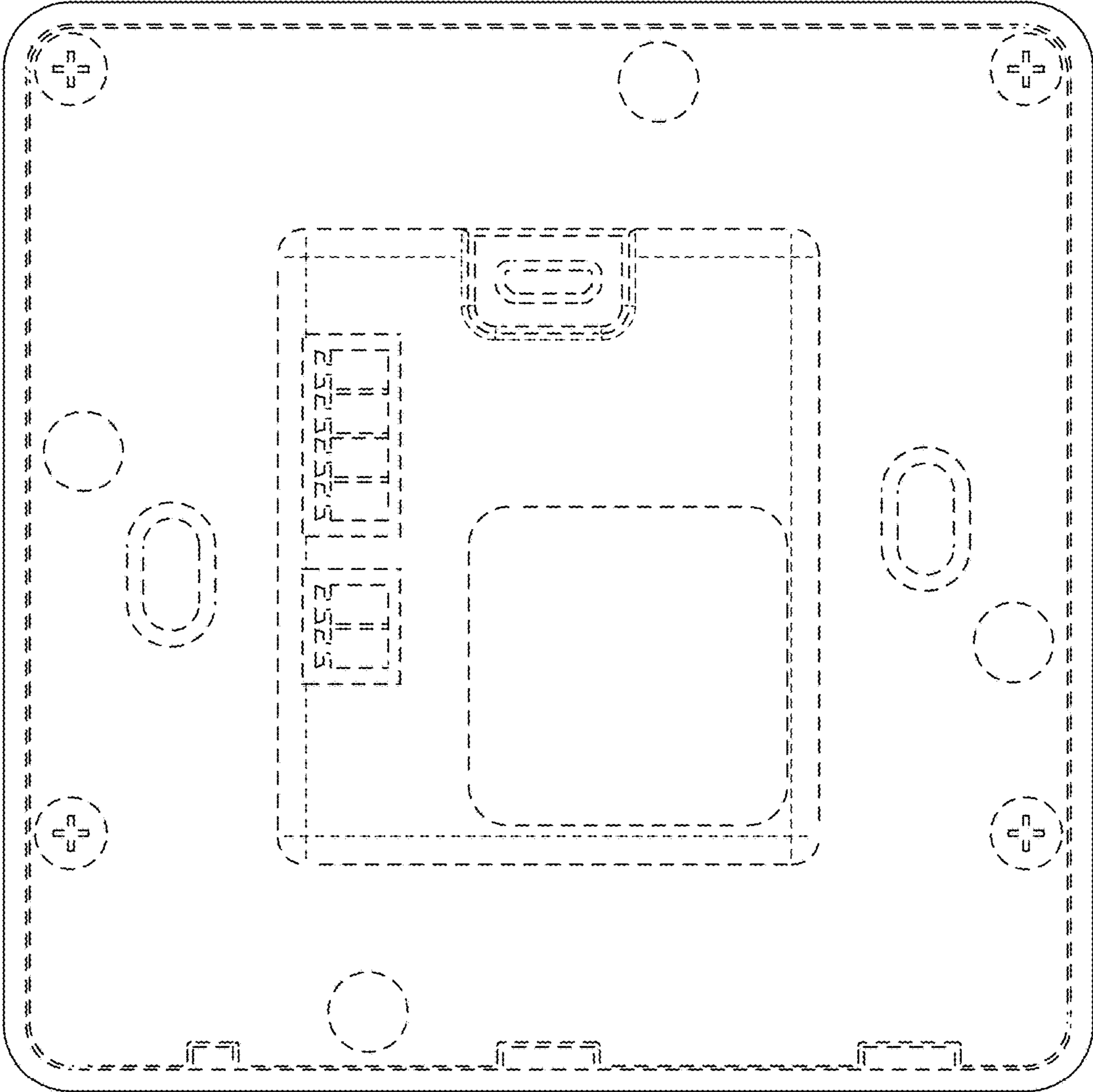


FIG. 7