



US00D783544S

(12) **United States Design Patent**
Peng

(10) **Patent No.:** **US D783,544 S**

(45) **Date of Patent:** **** Apr. 11, 2017**

- (54) **ONLINE ROTARY DIMMER SWITCH**
- (71) Applicant: **Rich Brand Industries Limited,**
Dongguan (CN)
- (72) Inventor: **Te-Shui Peng,** Taoyuan (TW)
- (73) Assignee: **Rich Brand Industries Limited,**
Dongguan (CN)
- (**) Term: **15 Years**
- (21) Appl. No.: **29/560,598**
- (22) Filed: **Apr. 8, 2016**
- (51) **LOC (10) Cl.** **13-03**
- (52) **U.S. Cl.**
USPC **D13/160; D13/170**
- (58) **Field of Classification Search**
USPC D13/137.3, 137.4, 138.1, 139.6, 139.7,
D13/158, 160, 169, 170, 171
CPC .. H01H 9/0228; H05B 33/0845; H05B 37/02;
H05B 37/0272
See application file for complete search history.

6,255,613	B1 *	7/2001	Yang	H01H 9/0228	200/553
D626,921	S *	11/2010	Pang	D13/158	
D646,640	S *	10/2011	Clymer	D13/160	
8,106,323	B2 *	1/2012	Liu	H01H 9/0228	200/51.11
D654,879	S *	2/2012	Li	D13/170	
D668,610	S *	10/2012	Li	D13/133	
8,294,372	B2 *	10/2012	Yang	H05B 37/0281	315/133
D675,168	S *	1/2013	Yass	D13/170	
9,320,115	B2 *	4/2016	Quaal	H05B 33/0845	
9,332,615	B1 *	5/2016	Peng	H05B 37/02	
9,456,479	B1 *	9/2016	Peng	H05B 33/0845	
2006/0157333	A1 *	7/2006	Lee	H01H 9/0228	200/334
2015/0109721	A1 *	4/2015	Willcocks	H05B 37/0272	361/679.01

* cited by examiner

Primary Examiner — Selina Sikder

(74) *Attorney, Agent, or Firm* — Alan D. Kamrath;
Kamrath IP Lawfirm, P.A.

(57) **CLAIM**

The ornamental design for an online rotary dimmer switch,
as shown and described.

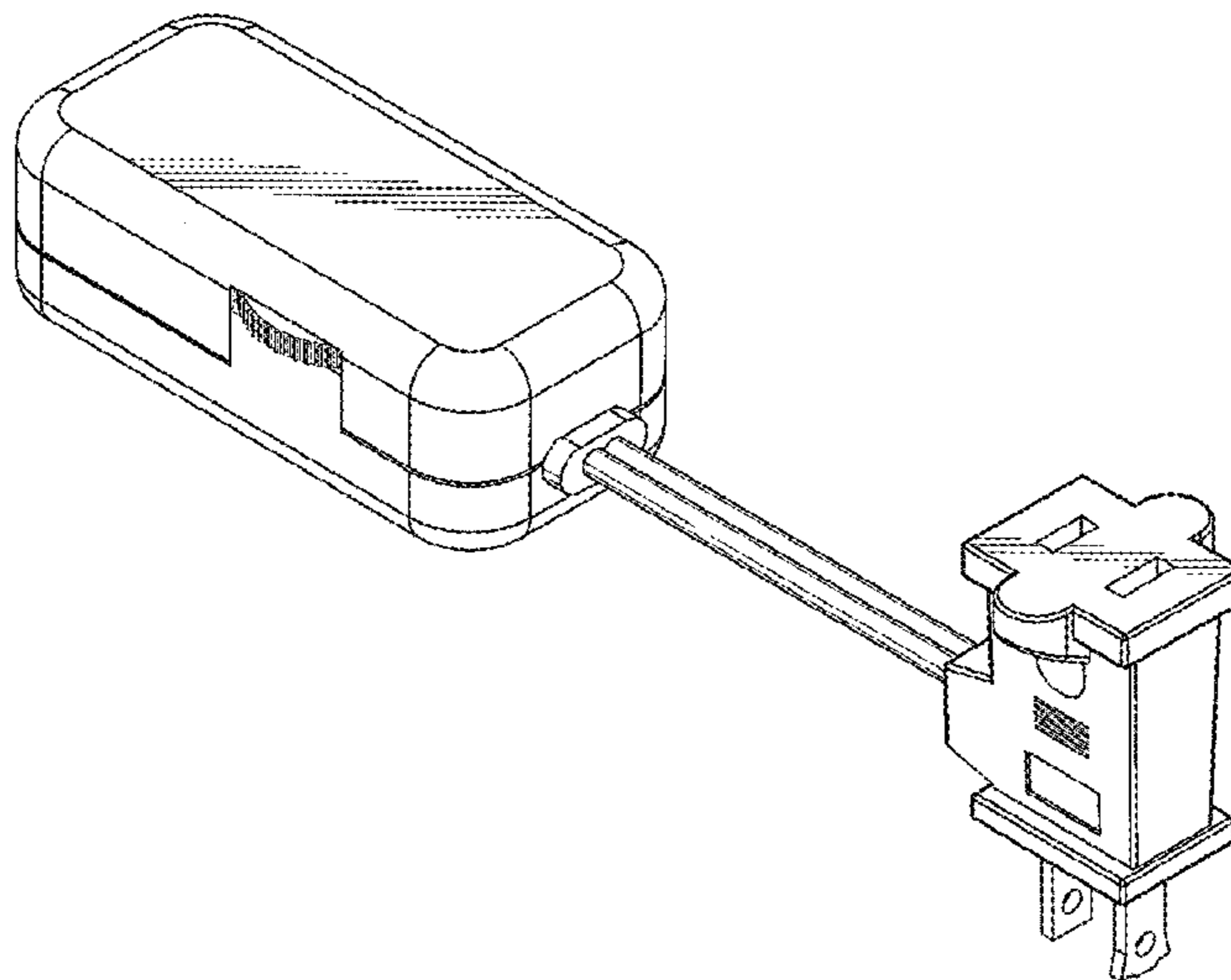
DESCRIPTION

FIG. 1 is a perspective view of the online rotary dimmer switch showing my new design;
FIG. 2 is a front elevational view thereof;
FIG. 3 is a rear elevational view thereof;
FIG. 4 is a left side elevational view thereof;
FIG. 5 is a right side elevational view thereof;
FIG. 6 is a top plan view thereof;
FIG. 7 is a bottom plan view thereof; and,
FIG. 8 is an another perspective view of the online rotary dimmer switch showing my new design.

1 Claim, 5 Drawing Sheets

(56) **References Cited**
U.S. PATENT DOCUMENTS

2,023,094	A *	12/1935	Parker	H01H 9/0228	200/16 D
3,689,723	A *	9/1972	Ludwig	H01H 9/0228	200/284
D254,001	S *	1/1980	Mayo	D13/125	
D307,579	S *	5/1990	Layne	D13/137.3	
D358,368	S *	5/1995	Howard	D13/160	
D367,261	S *	2/1996	Hansen	D13/138.1	
5,499,930	A *	3/1996	Cieri	H01R 12/67	439/374
5,684,272	A *	11/1997	Gernhardt	H01H 9/0228	174/650
D391,922	S *	3/1998	Aromin	D13/160	
5,854,456	A *	12/1998	Lee-ven	H01H 1/585	200/11 TW



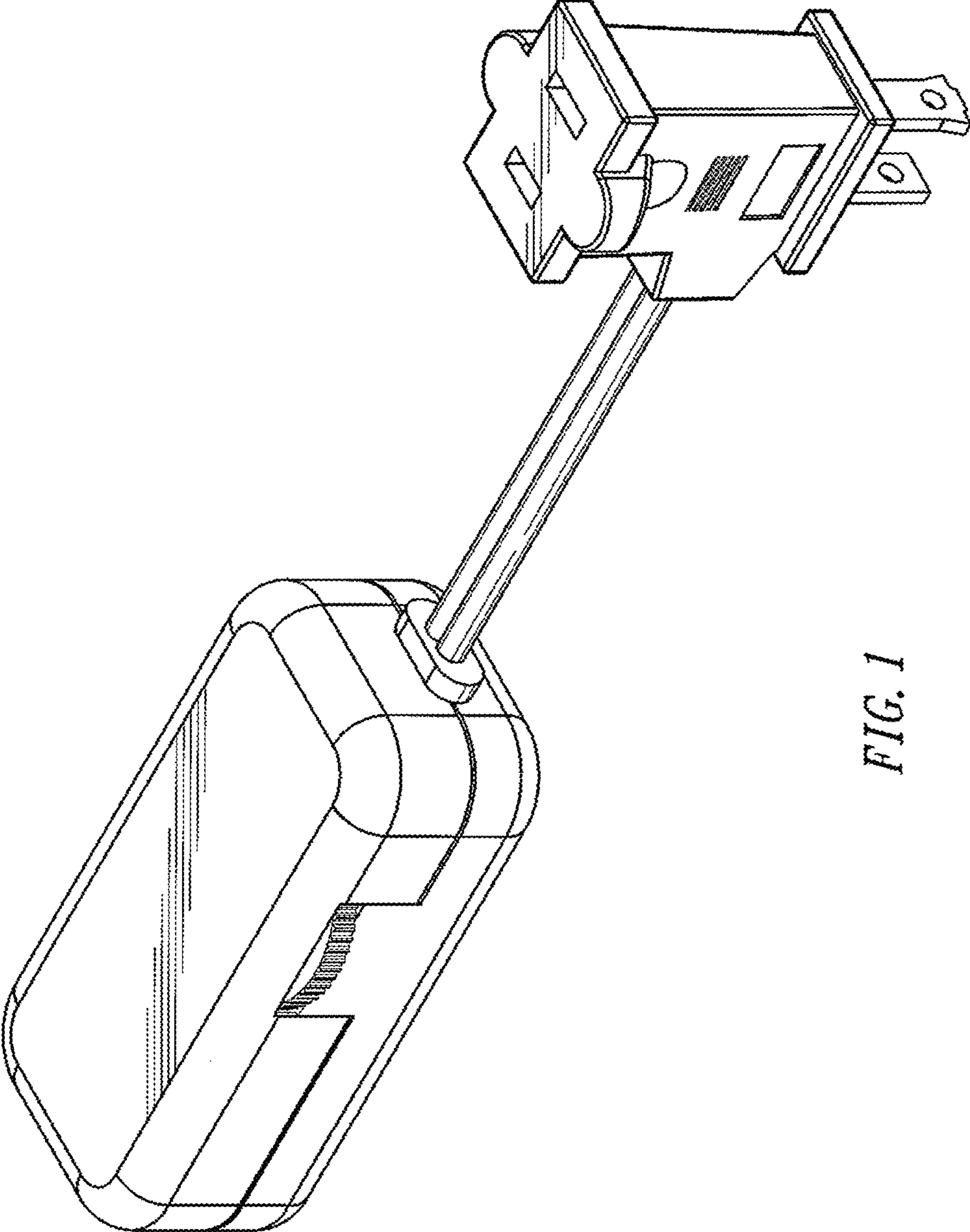
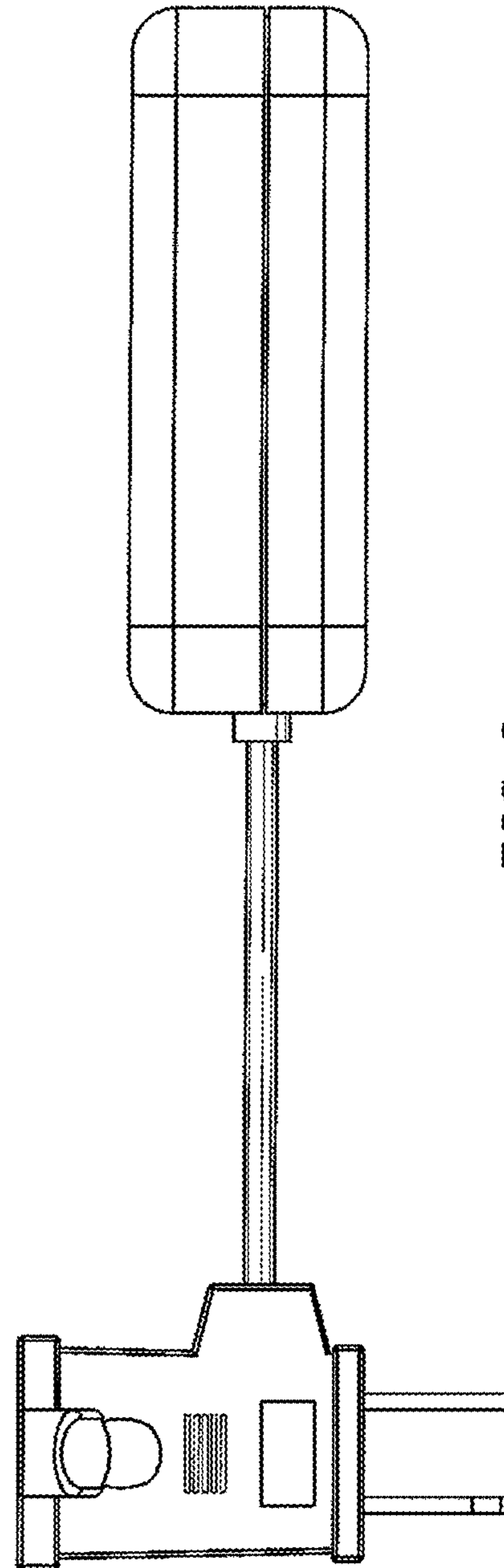
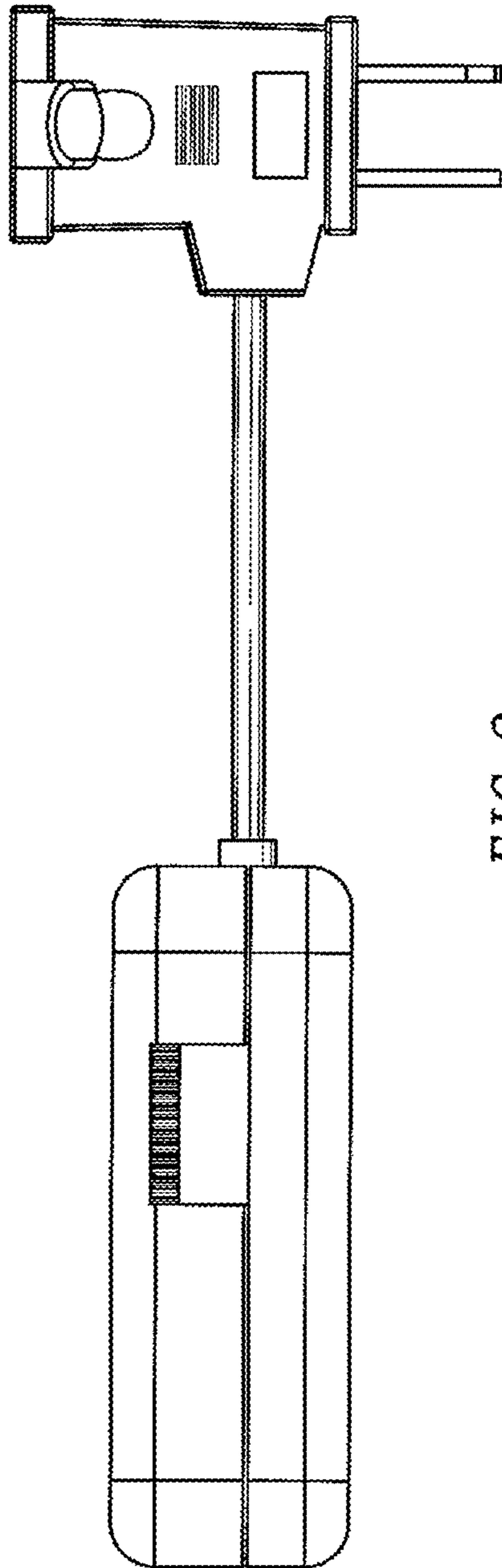


FIG. 1



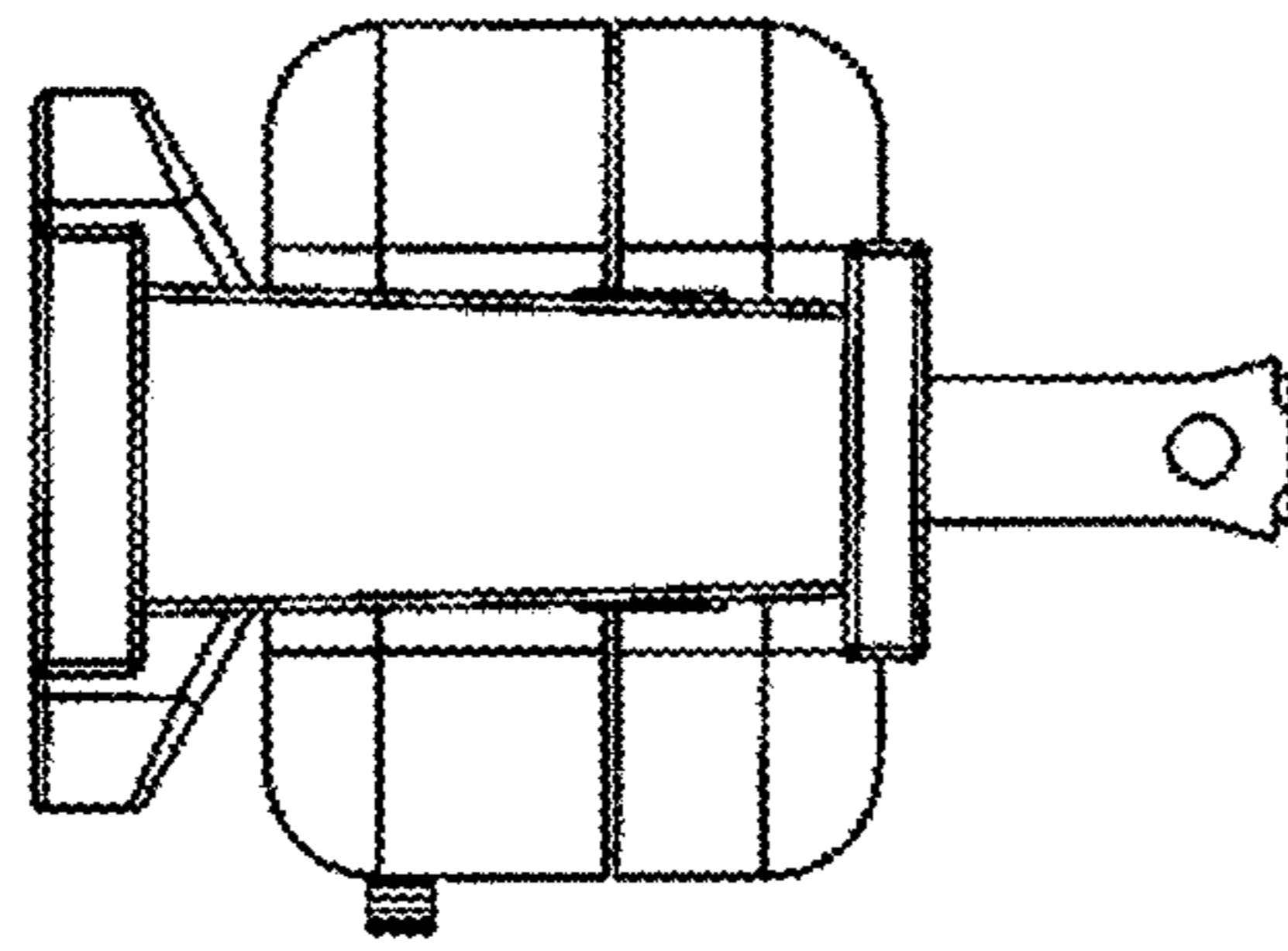


FIG. 5

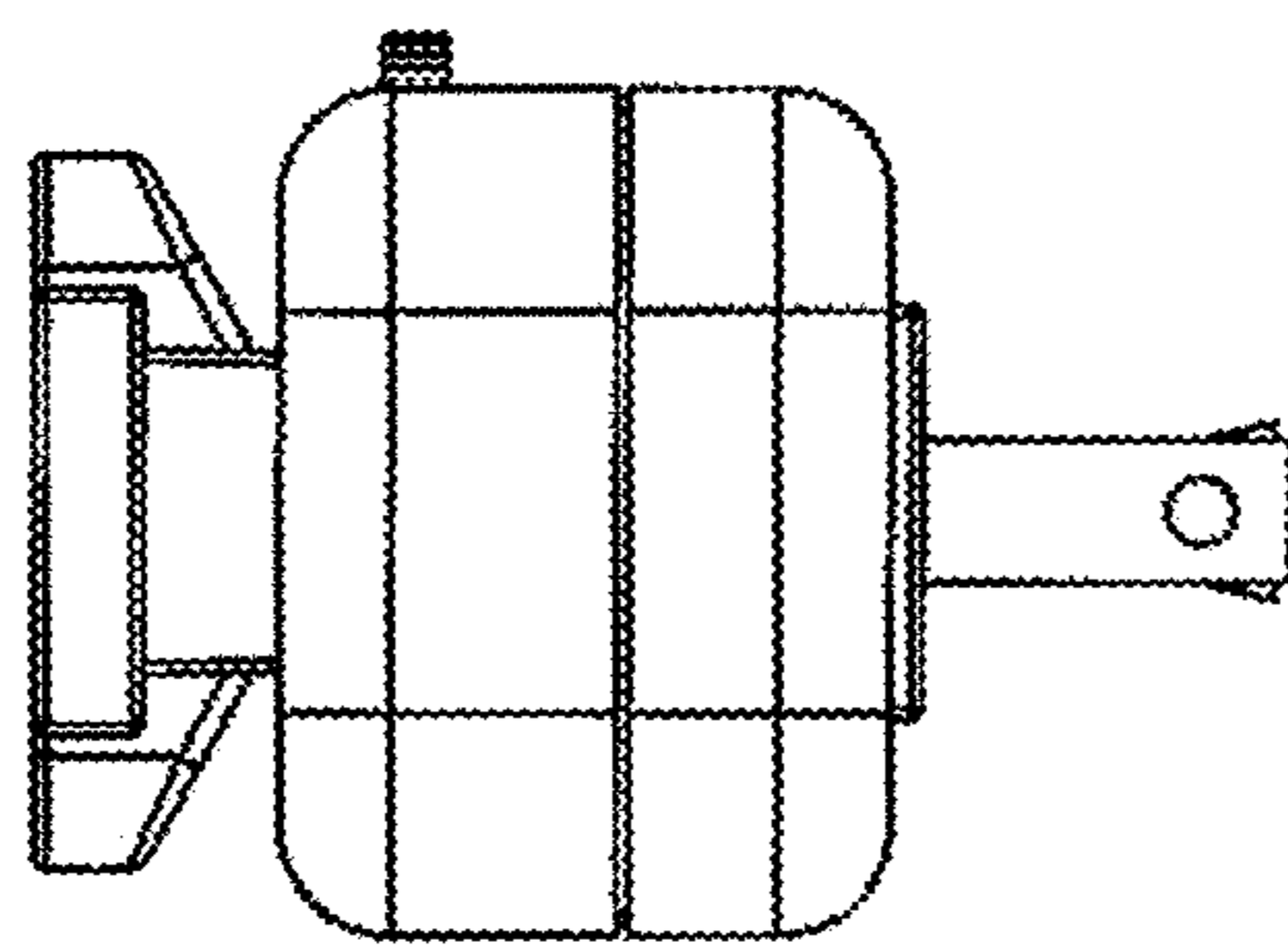


FIG. 4

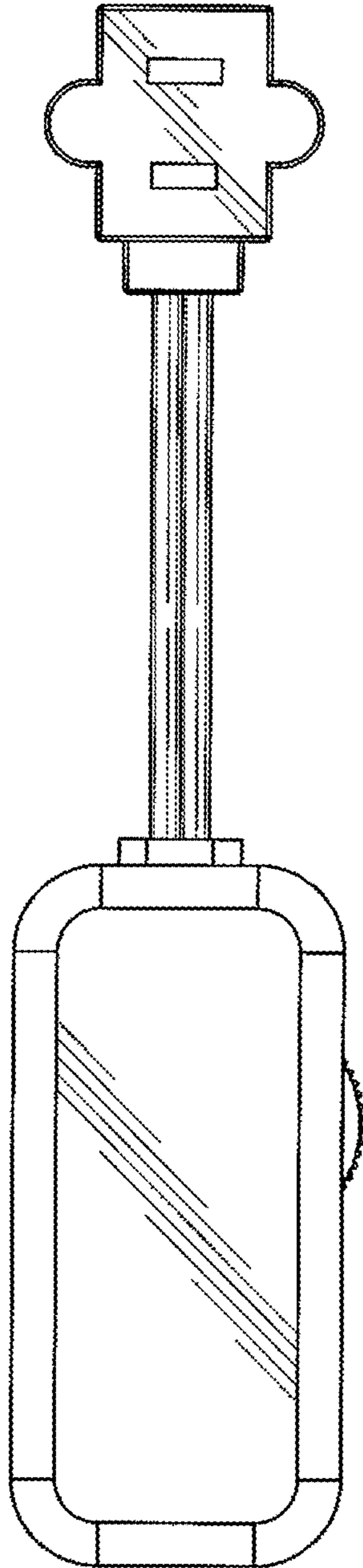


FIG. 6

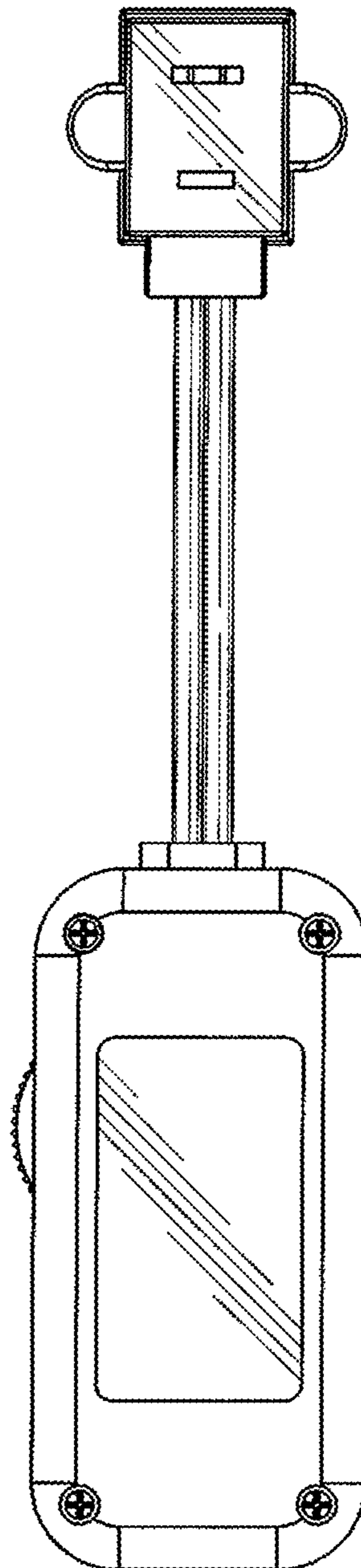


FIG. 7

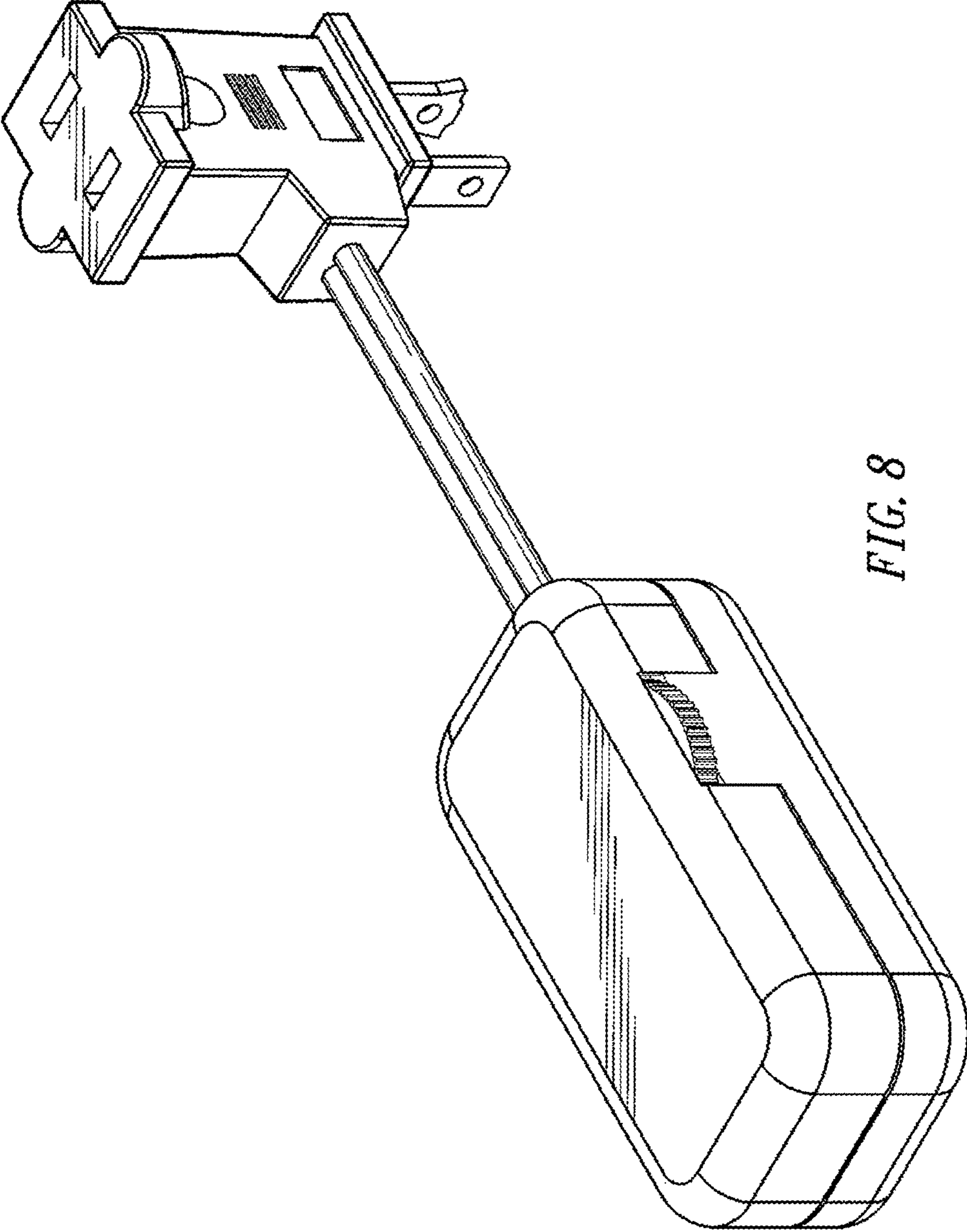


FIG. 8