



US00D783542S

(12) **United States Design Patent**
Marsden

(10) **Patent No.:** **US D783,542 S**

(45) **Date of Patent:** **** Apr. 11, 2017**

(54) **ELECTRICAL OUTLET COVER**

(71) Applicant: **Andrew Marsden**, Hingham, MA (US)

(72) Inventor: **Andrew Marsden**, Hingham, MA (US)

(73) Assignee: **Elbee Pty Ltd.**, Bondi Junction (AU)

(**) Term: **15 Years**

(21) Appl. No.: **29/537,468**

(22) Filed: **Aug. 26, 2015**

(51) **LOC (10) Cl.** **13-03**

(52) **U.S. Cl.**
USPC **D13/156**

(58) **Field of Classification Search**
USPC D13/110, 123, 133, 137.1, 139.1, 139.4,
D13/152, 154, 155, 156, 158, 162, 164,
(Continued)

(56) **References Cited**

U.S. PATENT DOCUMENTS

4,874,906 A * 10/1989 Shotey H02G 3/088
174/67

D413,865 S * 9/1999 Laufer D13/154
(Continued)

Primary Examiner — Derrick Holland

Assistant Examiner — Jennifer O King

(74) *Attorney, Agent, or Firm* — Wolf, Greenfield &
Sacks, P.C.

(57) **CLAIM**

The ornamental design for an electrical outlet cover, as shown and described.

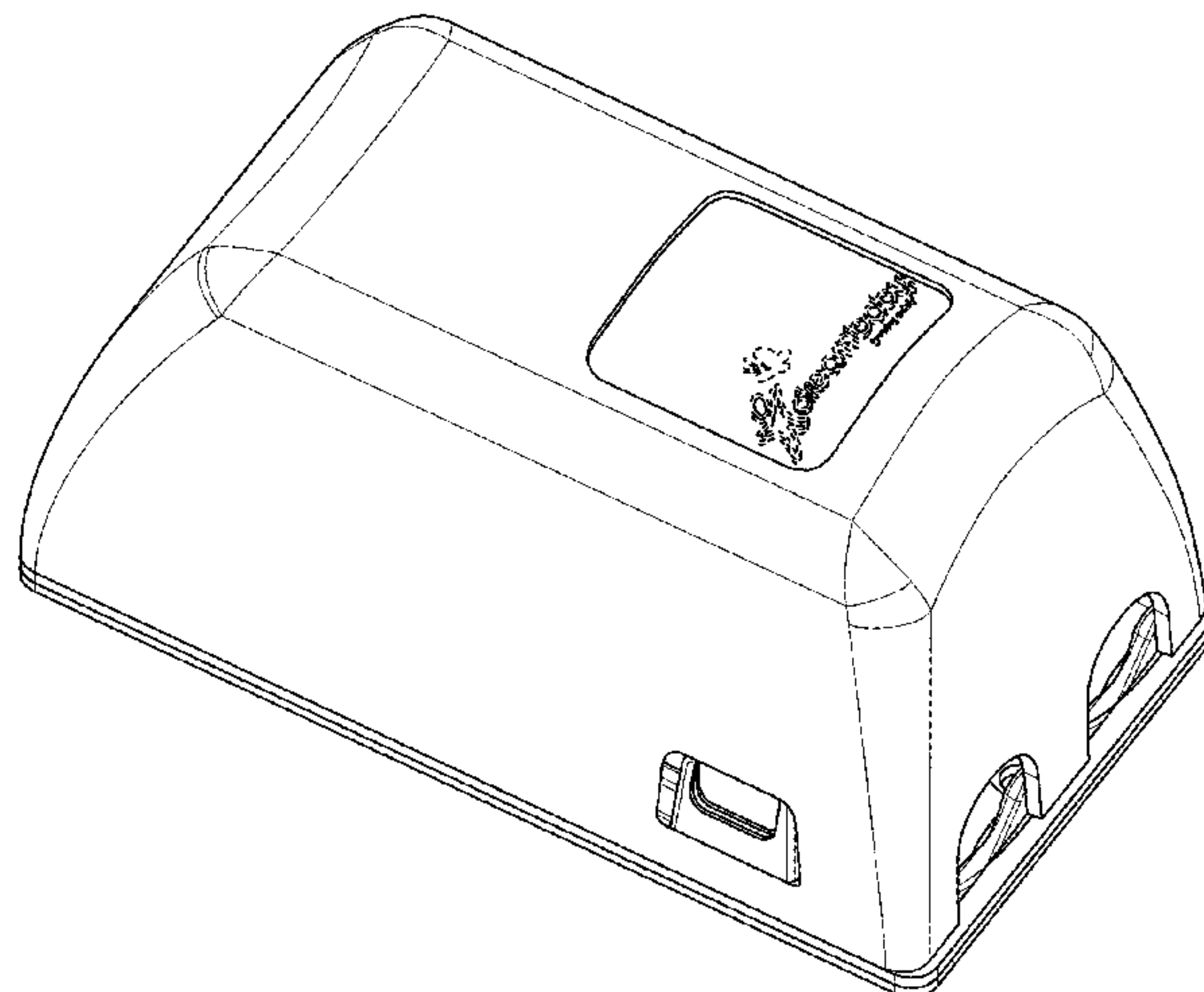
DESCRIPTION

FIG. 1 illustrates an isometric view of an electrical outlet cover showing my new design;

FIG. 2 illustrates an exploded isometric view thereof;

FIG. 3 illustrates a bottom view thereof;
FIG. 4 illustrates an exploded bottom view thereof;
FIG. 5 illustrates a right side view thereof;
FIG. 6 illustrates an exploded right side view thereof;
FIG. 7 illustrates a left side view thereof;
FIG. 8 illustrates an exploded left side view thereof;
FIG. 9 illustrates a top view thereof;
FIG. 10 illustrates an exploded top view thereof;
FIG. 11 illustrates a right side rear view thereof;
FIG. 12 illustrates an exploded right side rear view thereof;
FIG. 13 illustrates a front view thereof;
FIG. 14 illustrates a rear view thereof;
FIG. 15 illustrates a bottom rear isometric view thereof;
FIG. 16 illustrates an exploded bottom rear isometric view thereof;
FIG. 17 illustrates an isometric view of the cover of the electrical outlet cover;
FIG. 18 illustrates a bottom view thereof;
FIG. 19 illustrates a left side view thereof;
FIG. 20 illustrates a right side view thereof;
FIG. 21 illustrates a top view thereof;
FIG. 22 illustrates a rear view thereof;
FIG. 23 illustrates a bottom rear isometric view thereof;
FIG. 24 illustrates an isometric view of the outlet plate of the electrical outlet cover;
FIG. 25 illustrates a bottom view thereof;
FIG. 26 illustrates a side view thereof;
FIG. 27 illustrates a front view thereof;
FIG. 28 illustrates a rear view thereof;
FIG. 29 illustrates a top rear isometric view thereof;
FIG. 30 illustrates an isometric view of the base plate of the electrical outlet cover;
FIG. 31 illustrates a bottom view thereof;
FIG. 32 illustrates a top view thereof;
FIG. 33 illustrates a left side view thereof;
FIG. 34 illustrates a right side view thereof;
FIG. 35 illustrates a front view thereof;
FIG. 36 illustrates a rear view thereof;
FIG. 37 illustrates a top front isometric view thereof; and,
FIG. 38 illustrates a top rear isometric view thereof.
The broken lines shown represent unclaimed subject matter and form no part of the claimed design.

1 Claim, 38 Drawing Sheets



(58) **Field of Classification Search**

USPC D13/173, 177, 184; D8/349–351, 353;
174/67, 66; D10/49; 439/147–149, 373,
439/391, 535, 536, 538; 220/241, 242;
361/600, 707, 752
CPC H05K 5/0013; H05K 5/006; H05K 5/0073;
H05K 7/1417

See application file for complete search history.

(56) **References Cited**

U.S. PATENT DOCUMENTS

6,410,851 B1 * 6/2002 Lamar H02G 3/10
174/66
6,806,426 B1 * 10/2004 Gretz H02G 3/14
174/481
D631,859 S * 2/2011 Wang D13/184
8,017,865 B1 * 9/2011 Baldwin H02G 3/14
174/53
D703,158 S * 4/2014 Parsons D13/177
D738,192 S * 9/2015 Hetfield D8/350

* cited by examiner

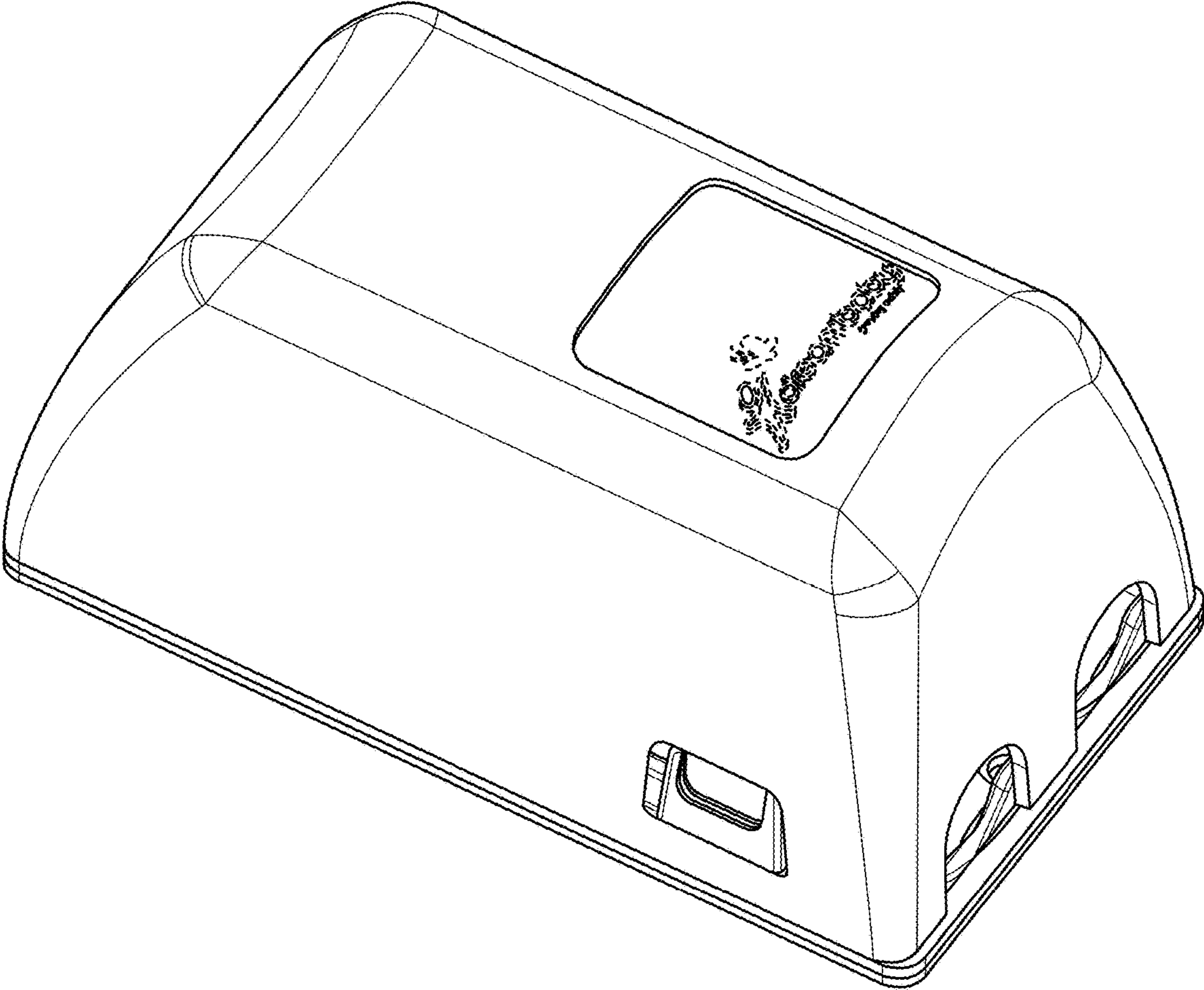


FIG. 1

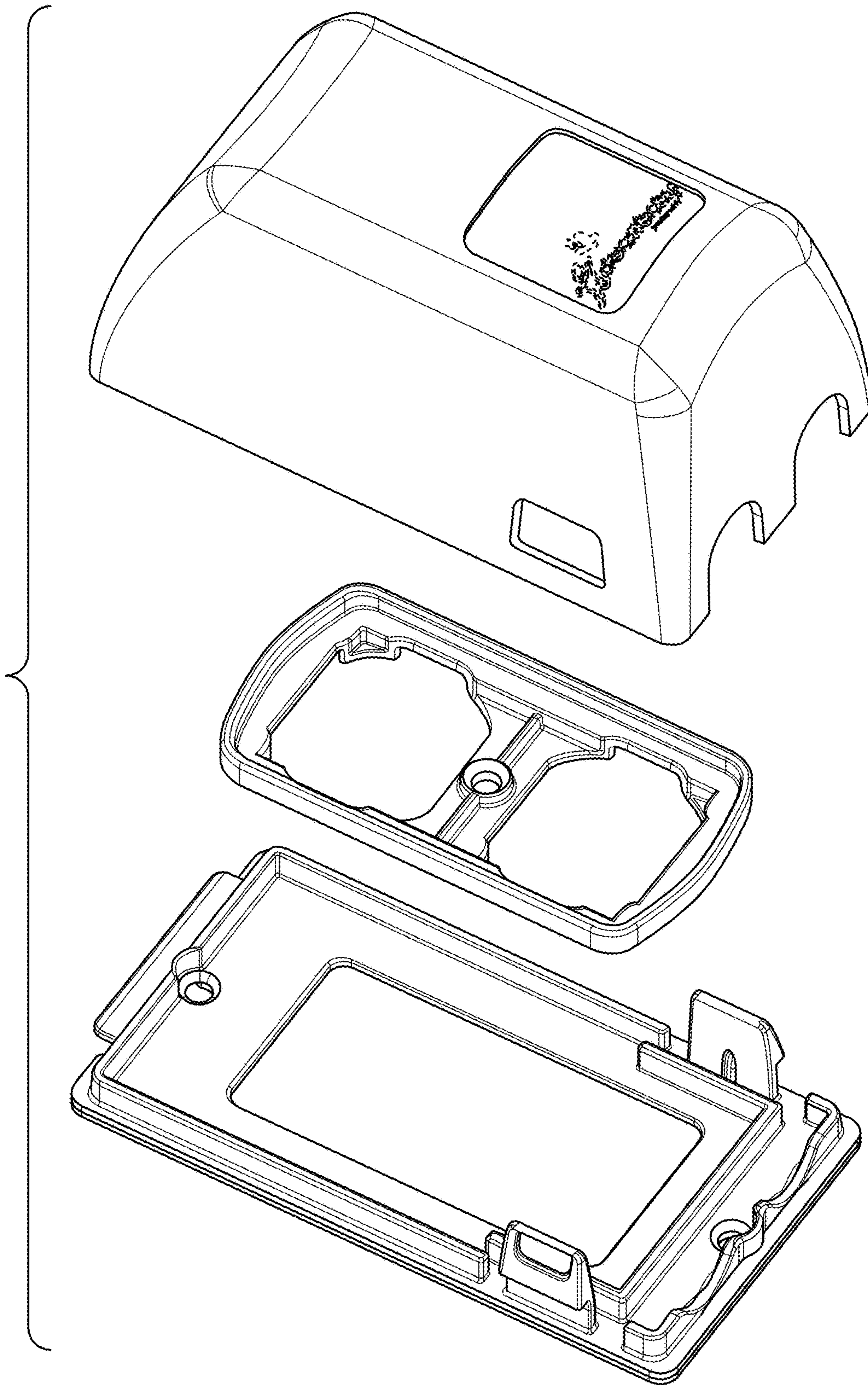


FIG. 2

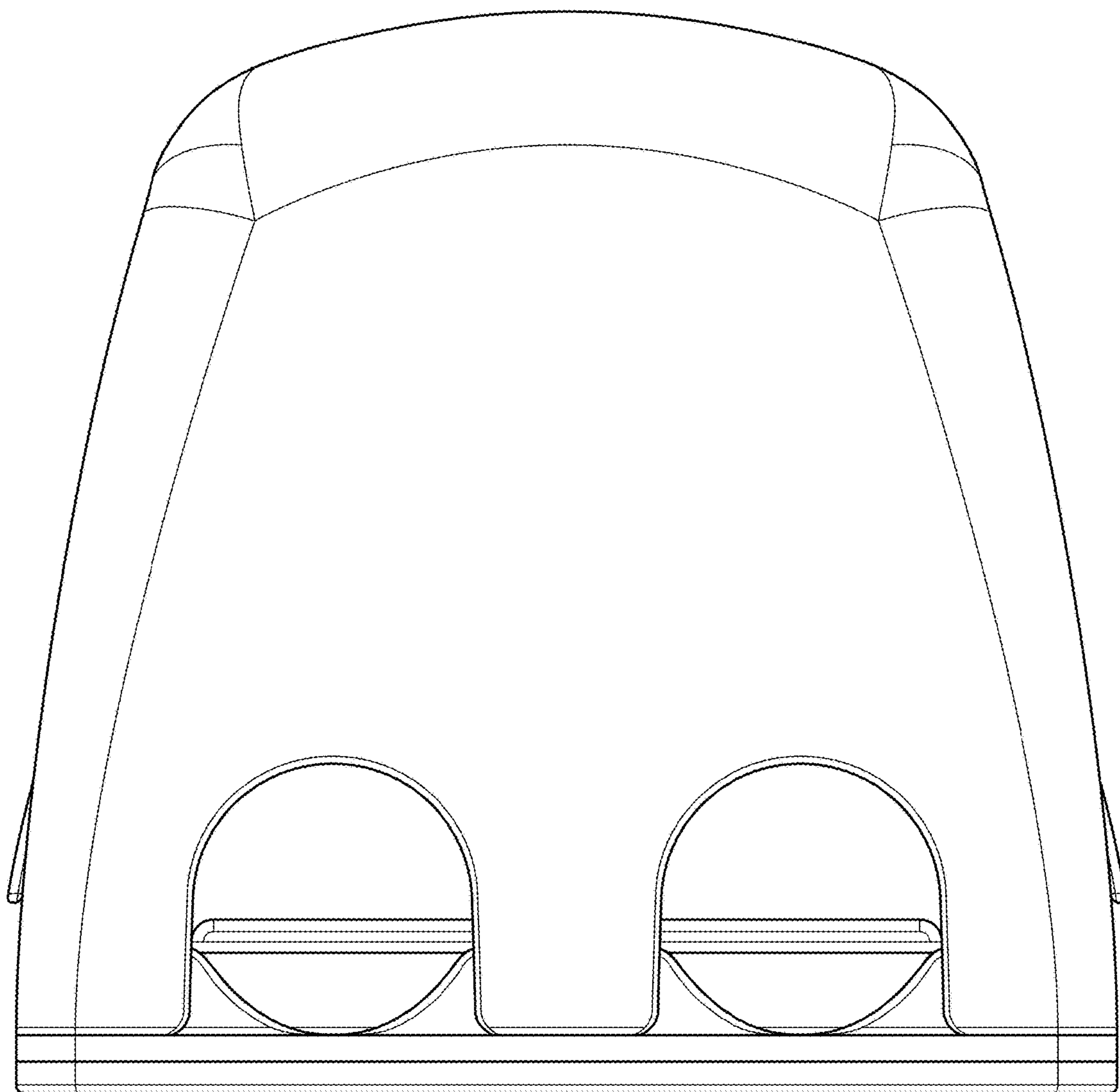


FIG. 3

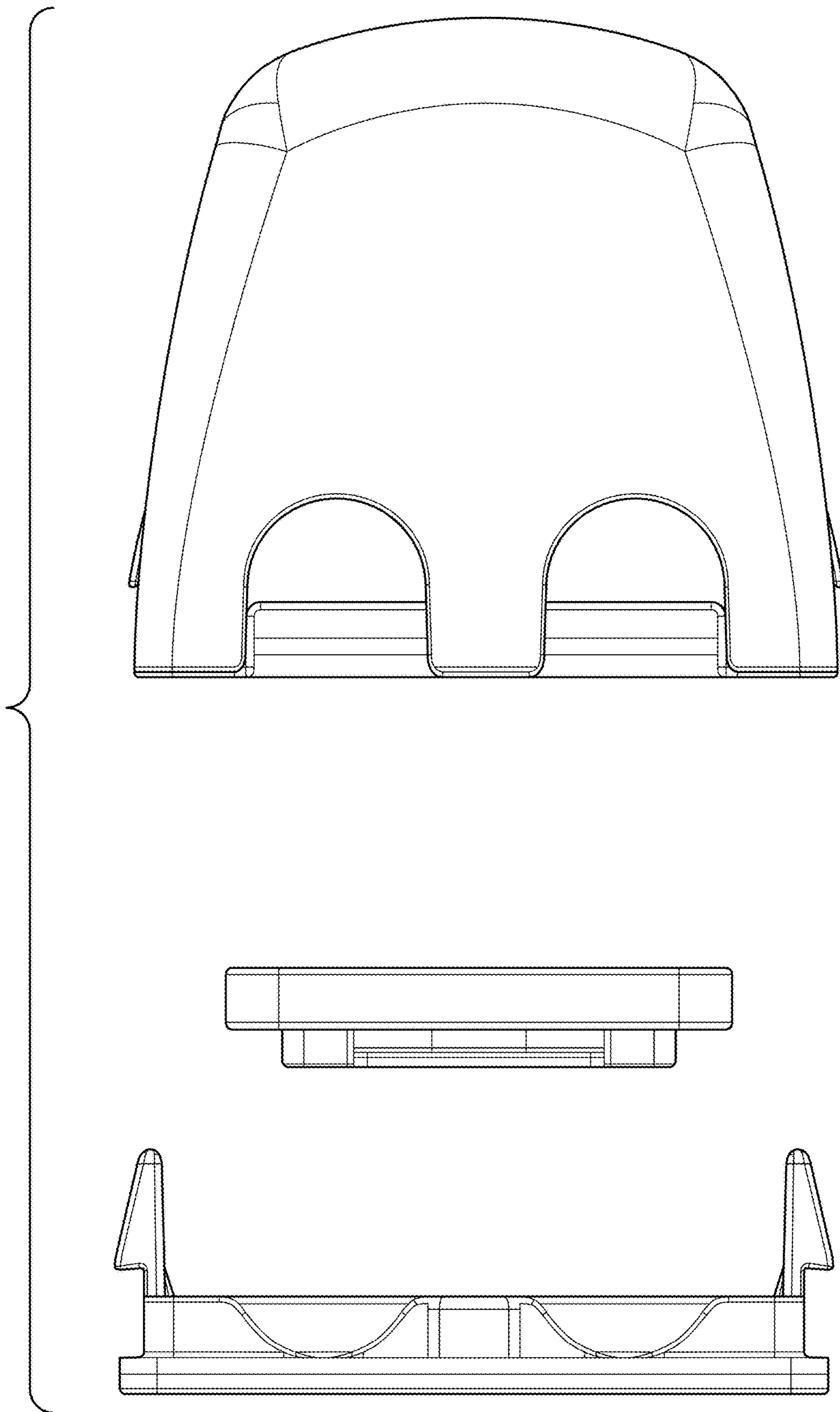


FIG. 4

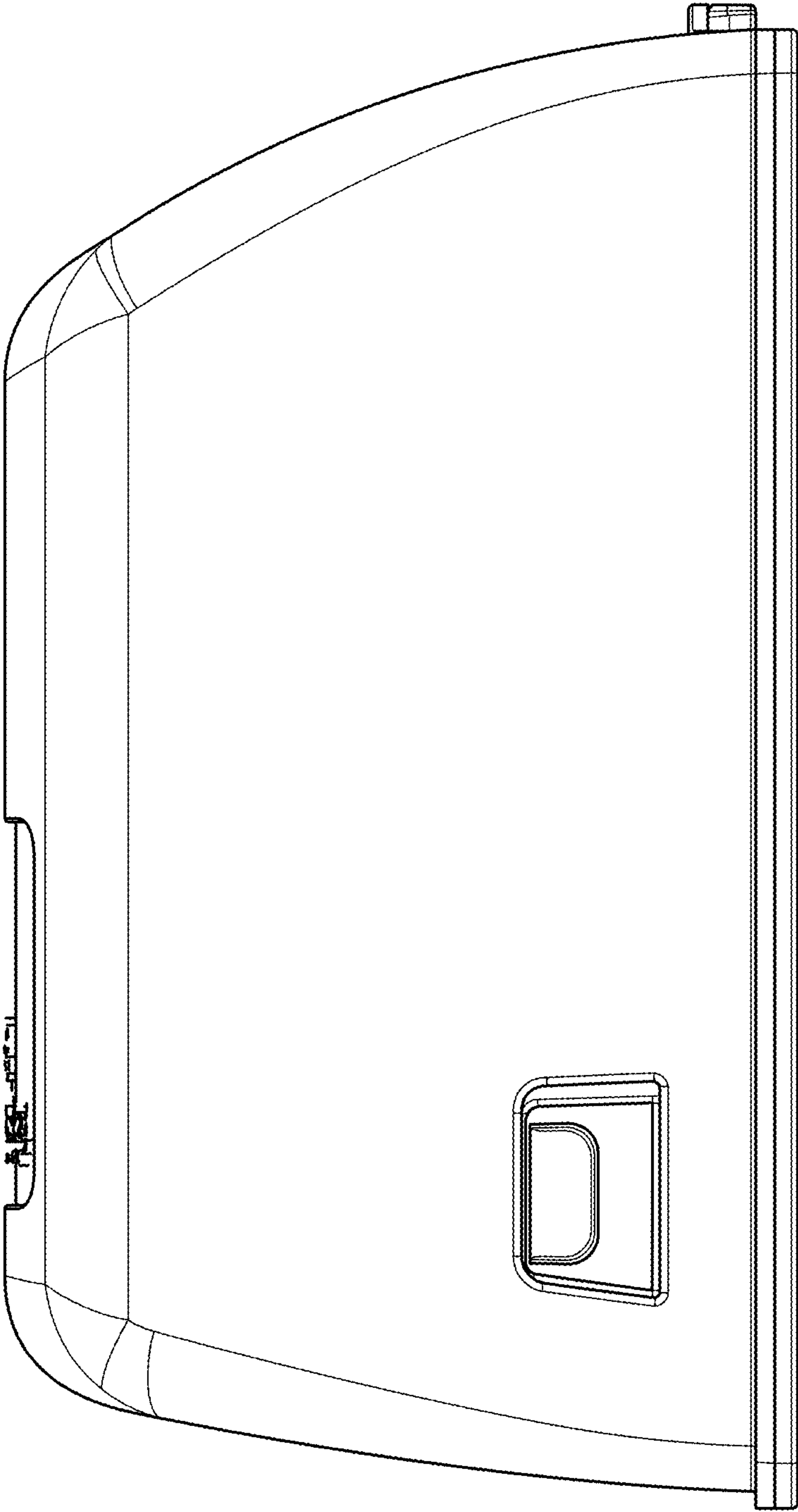


FIG. 5

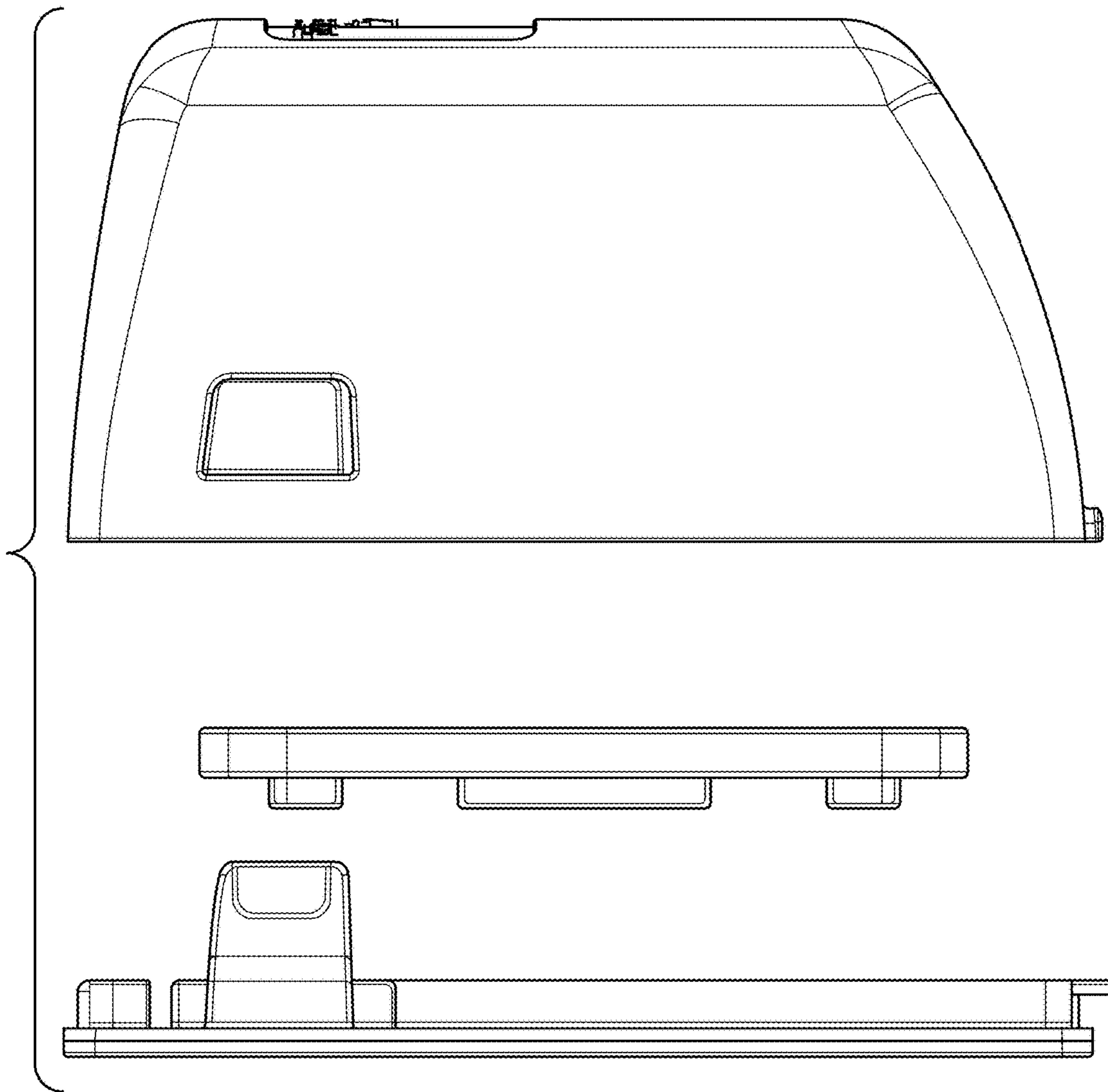


FIG. 6

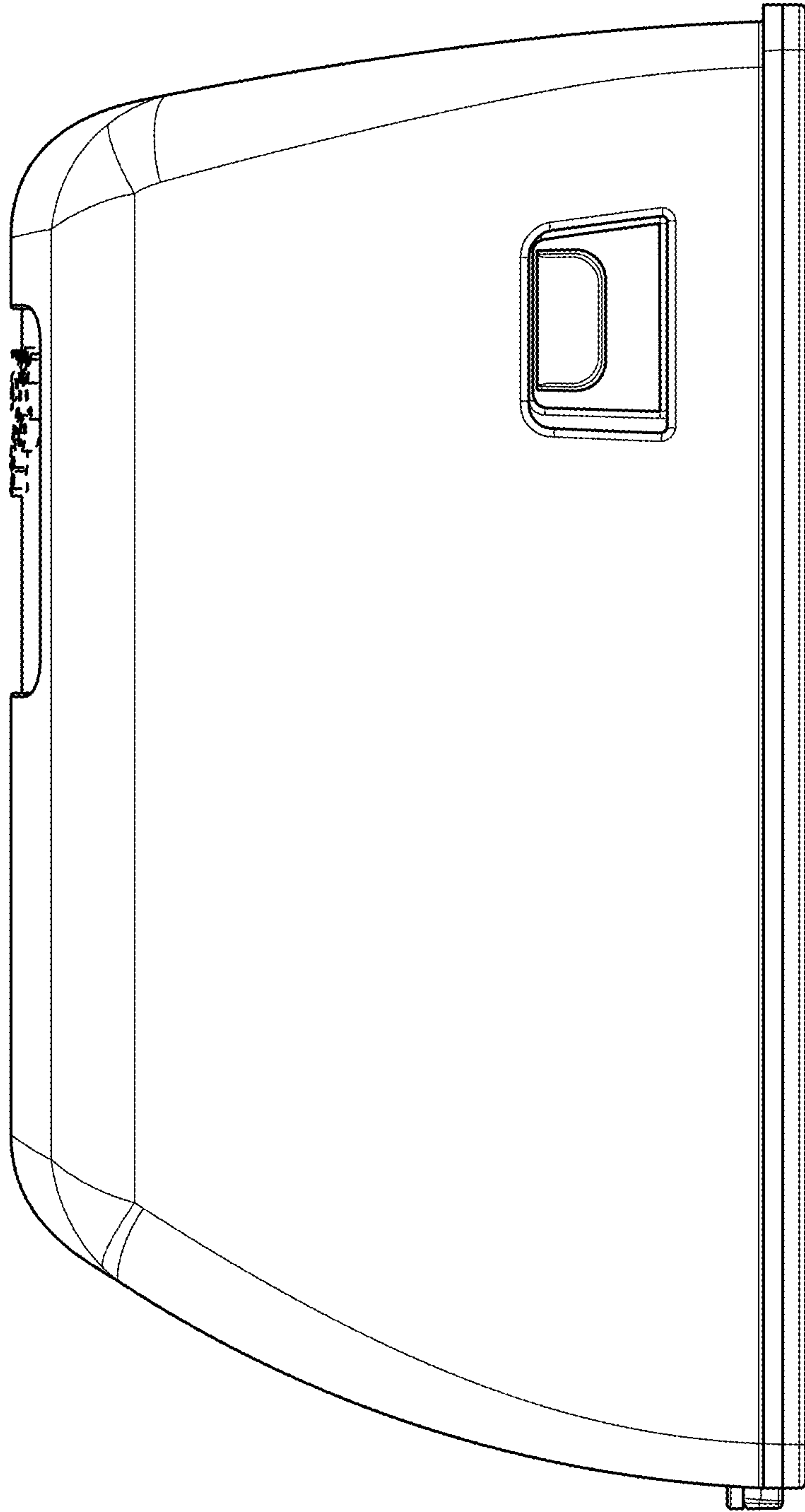


FIG. 7

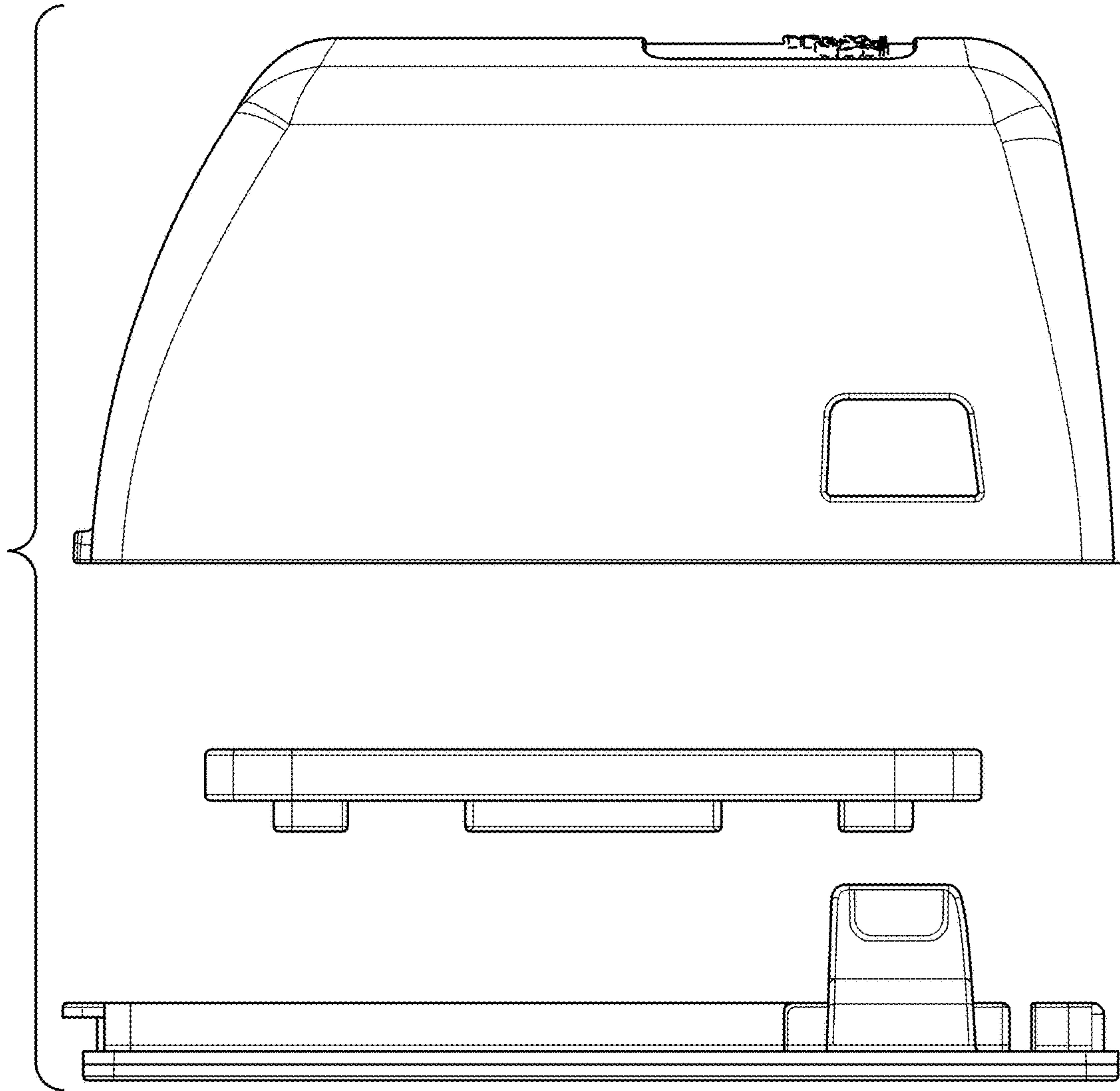


FIG. 8

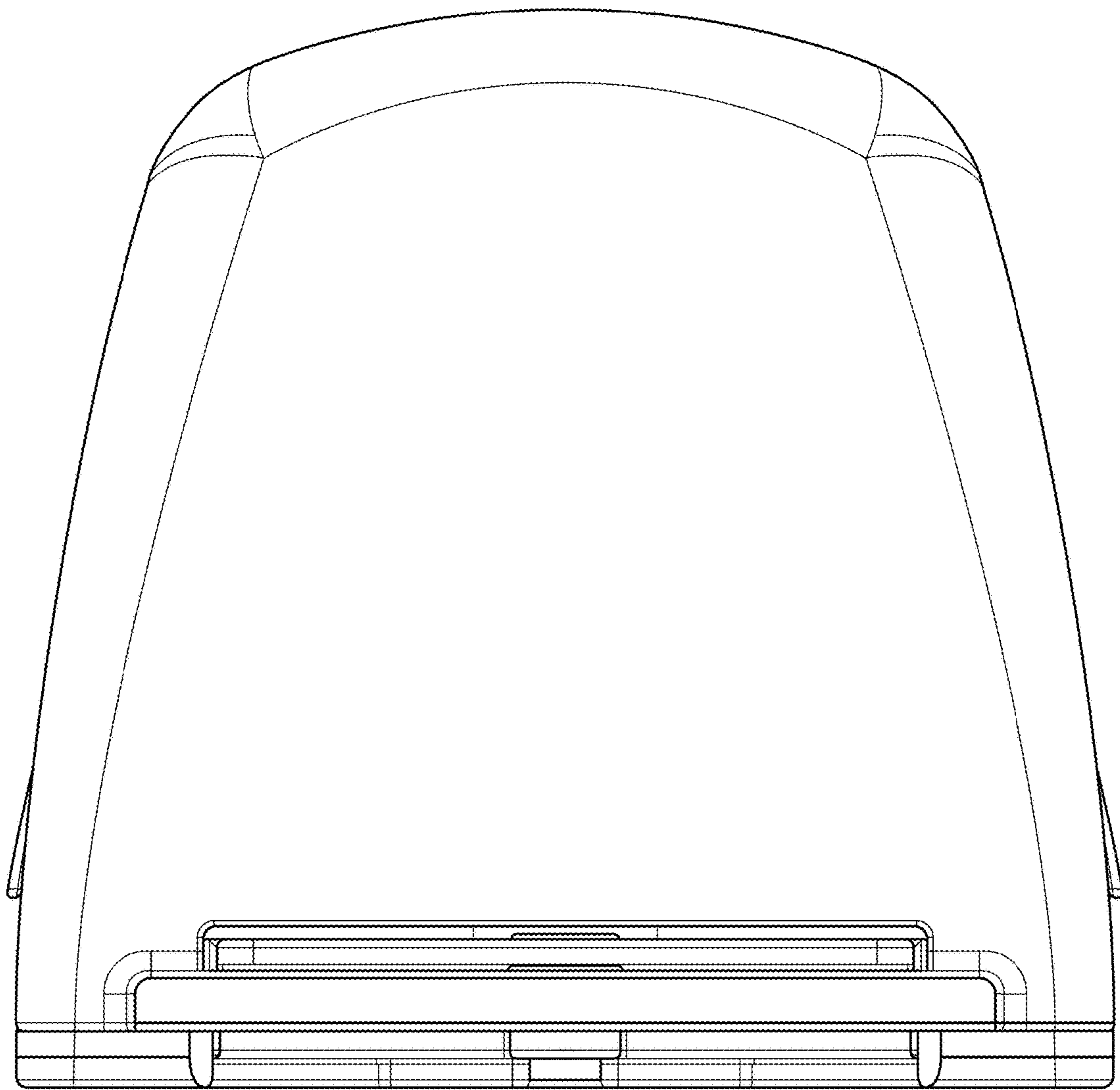


FIG. 9

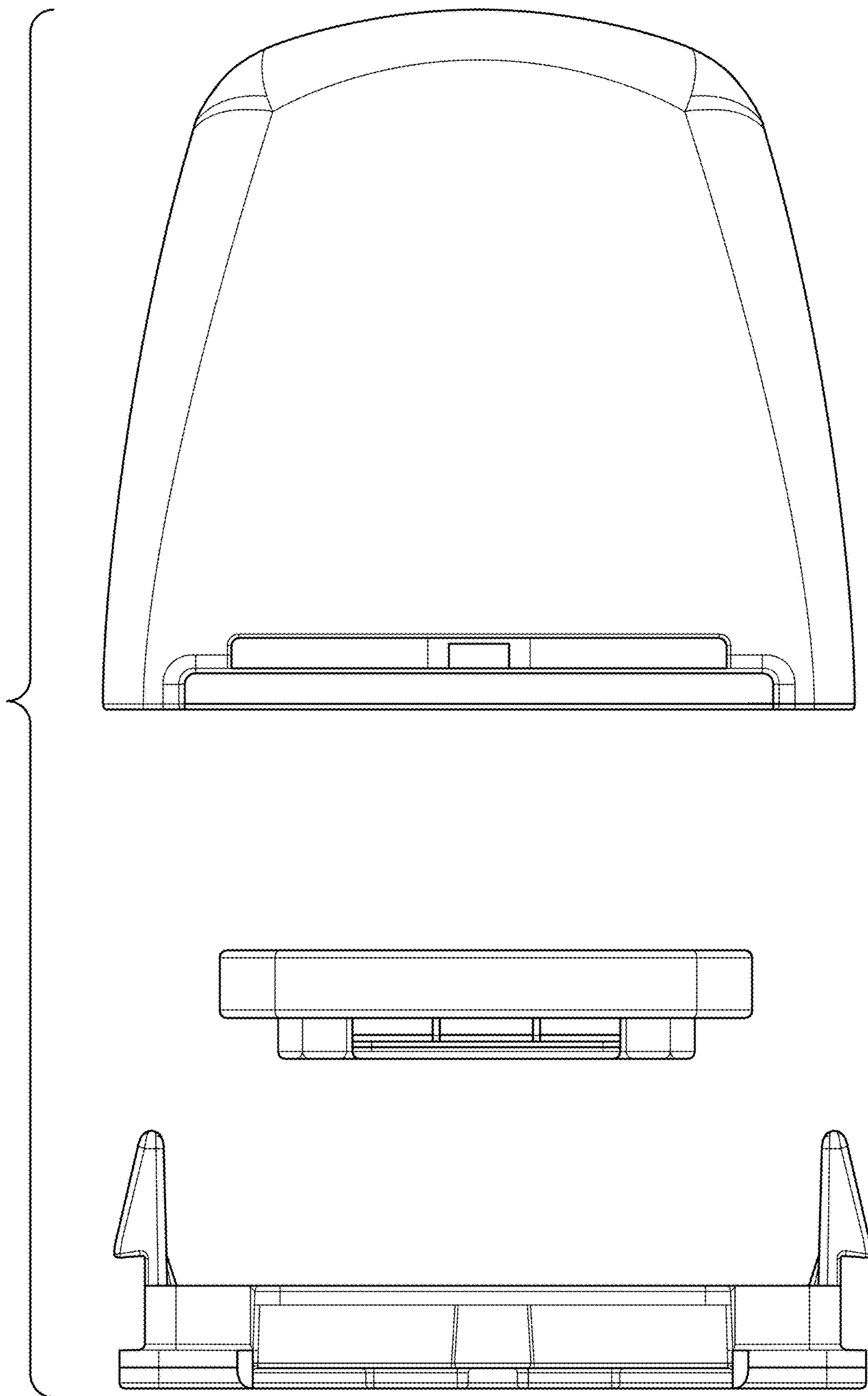


FIG. 10

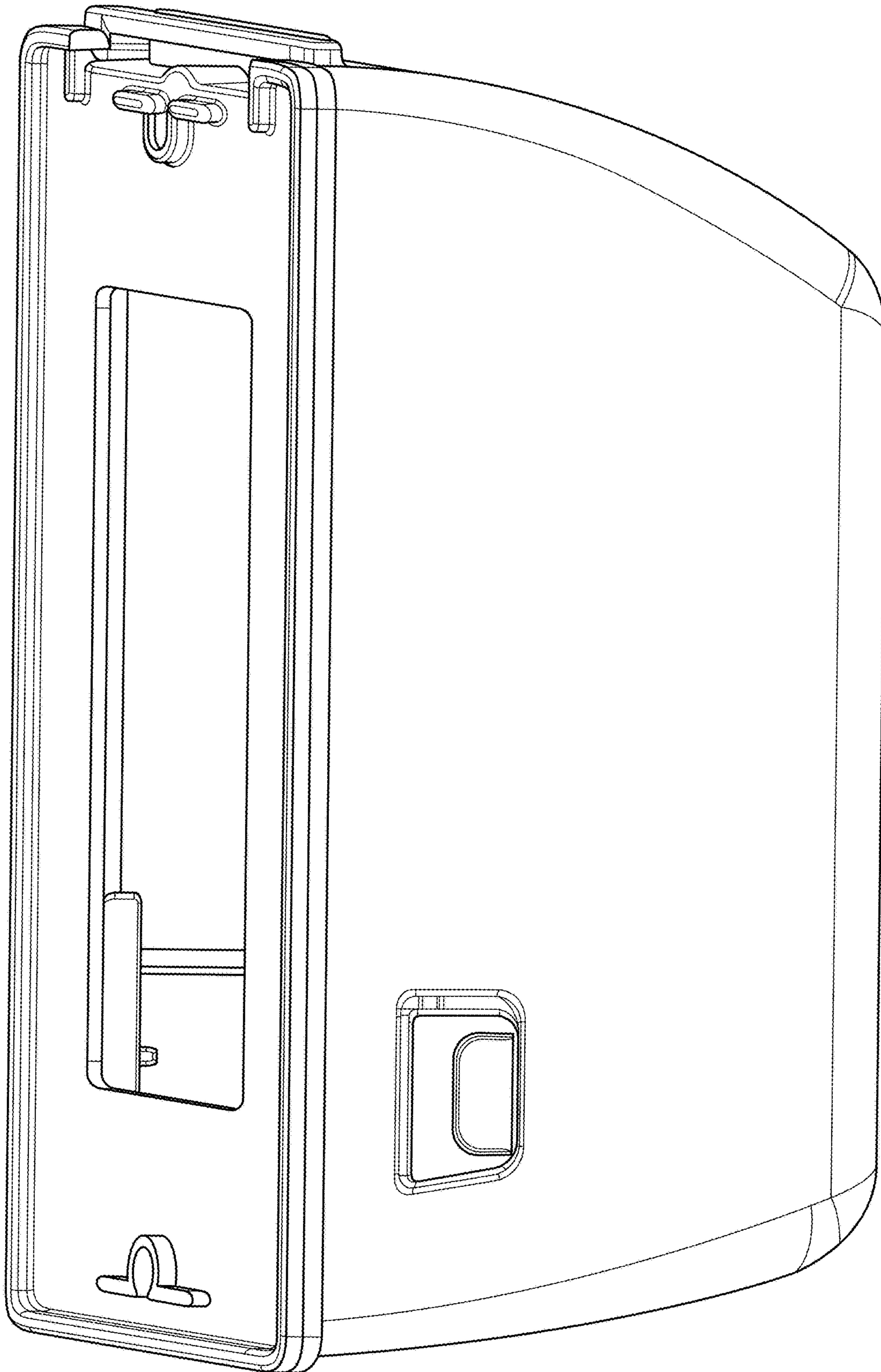


FIG. 11

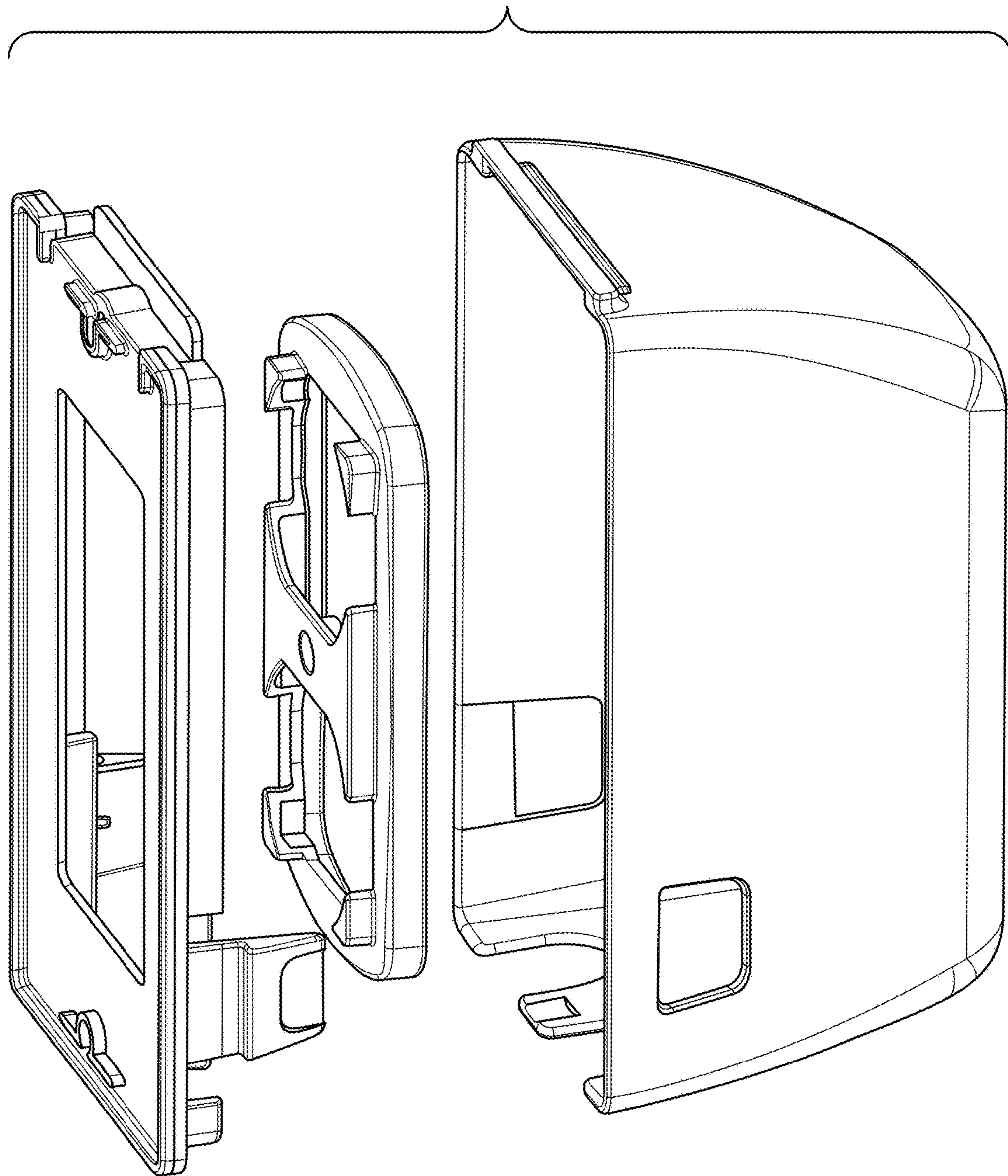


FIG. 12

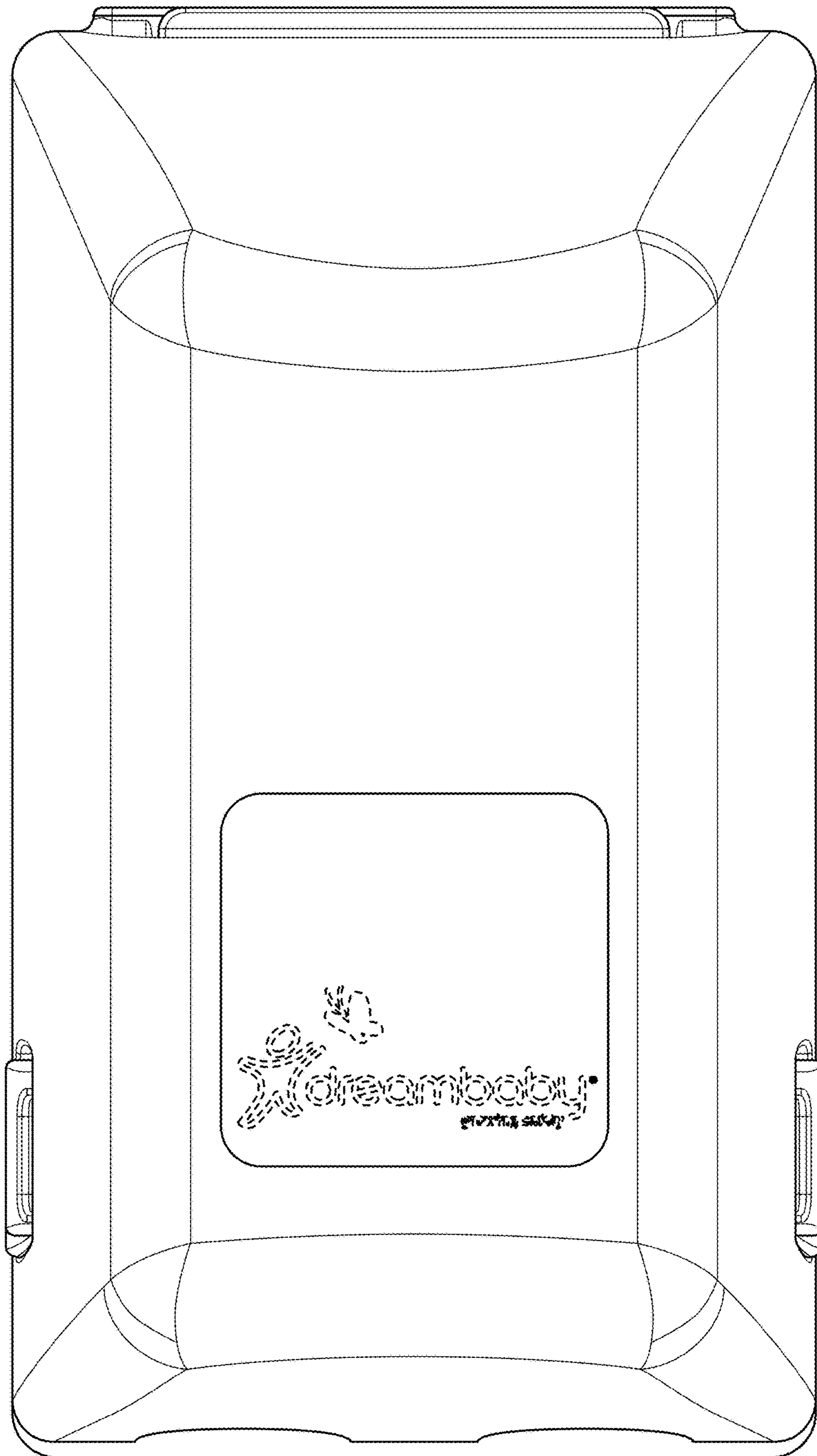


FIG. 13

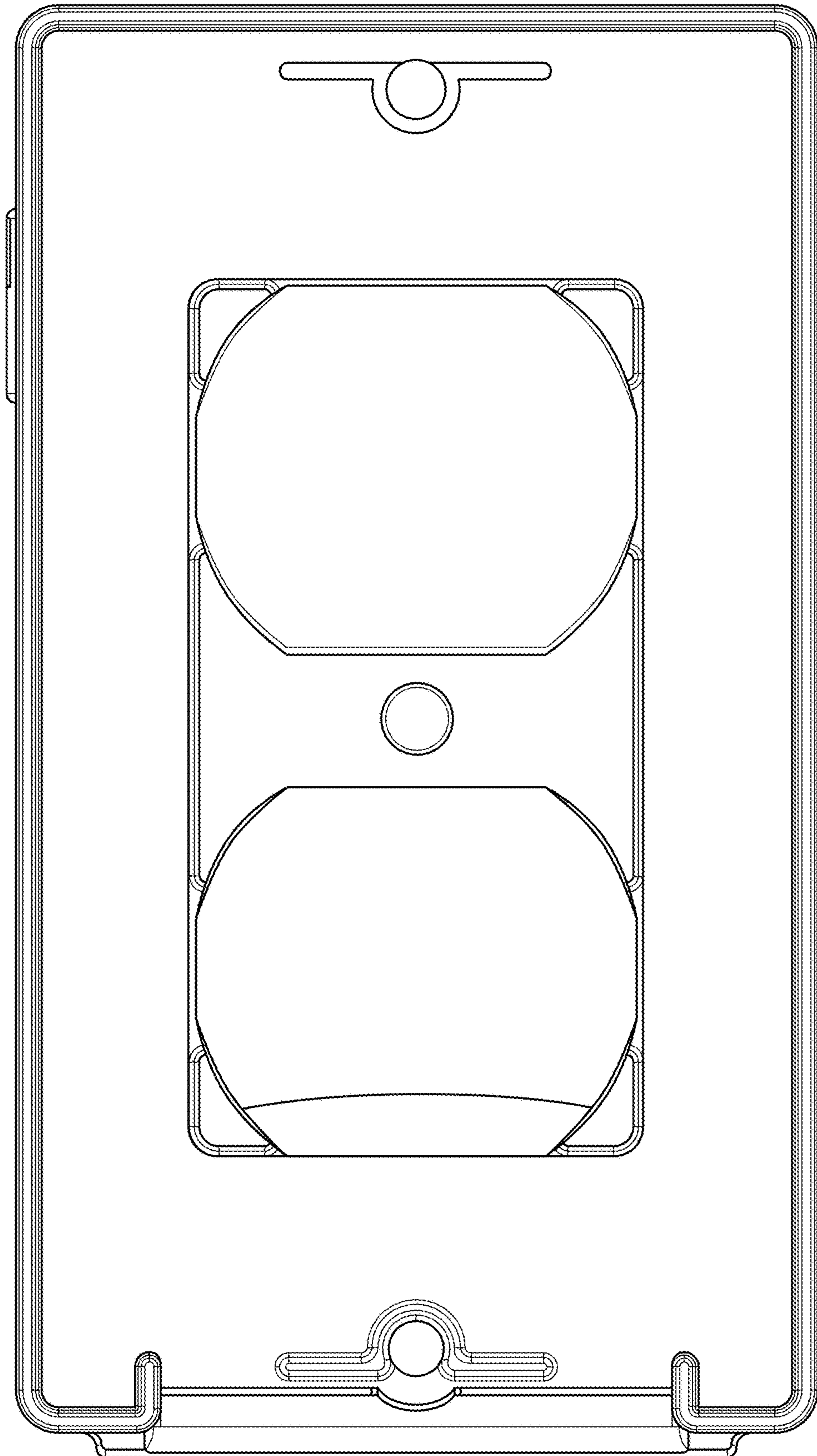


FIG. 14

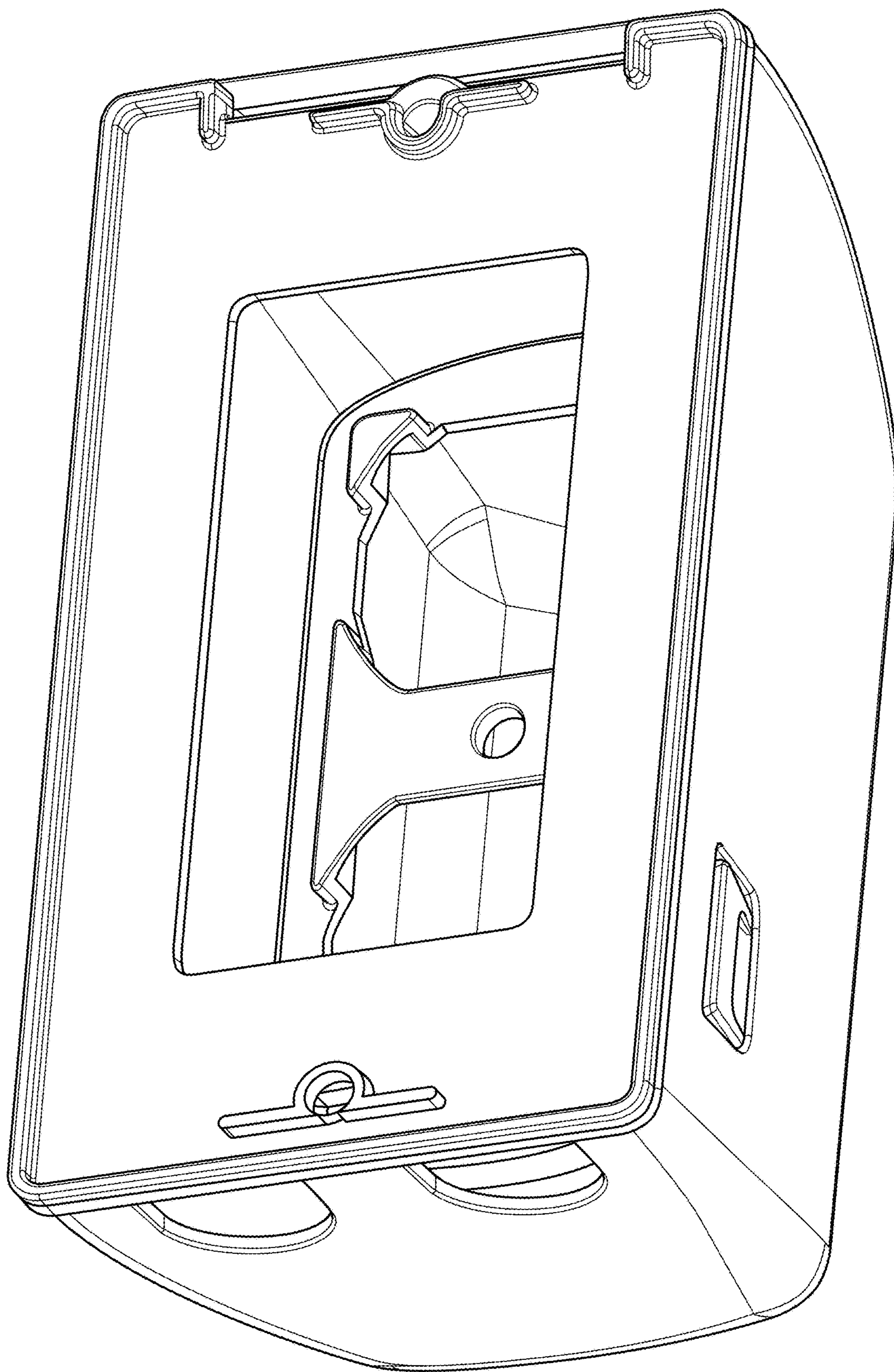


FIG. 15

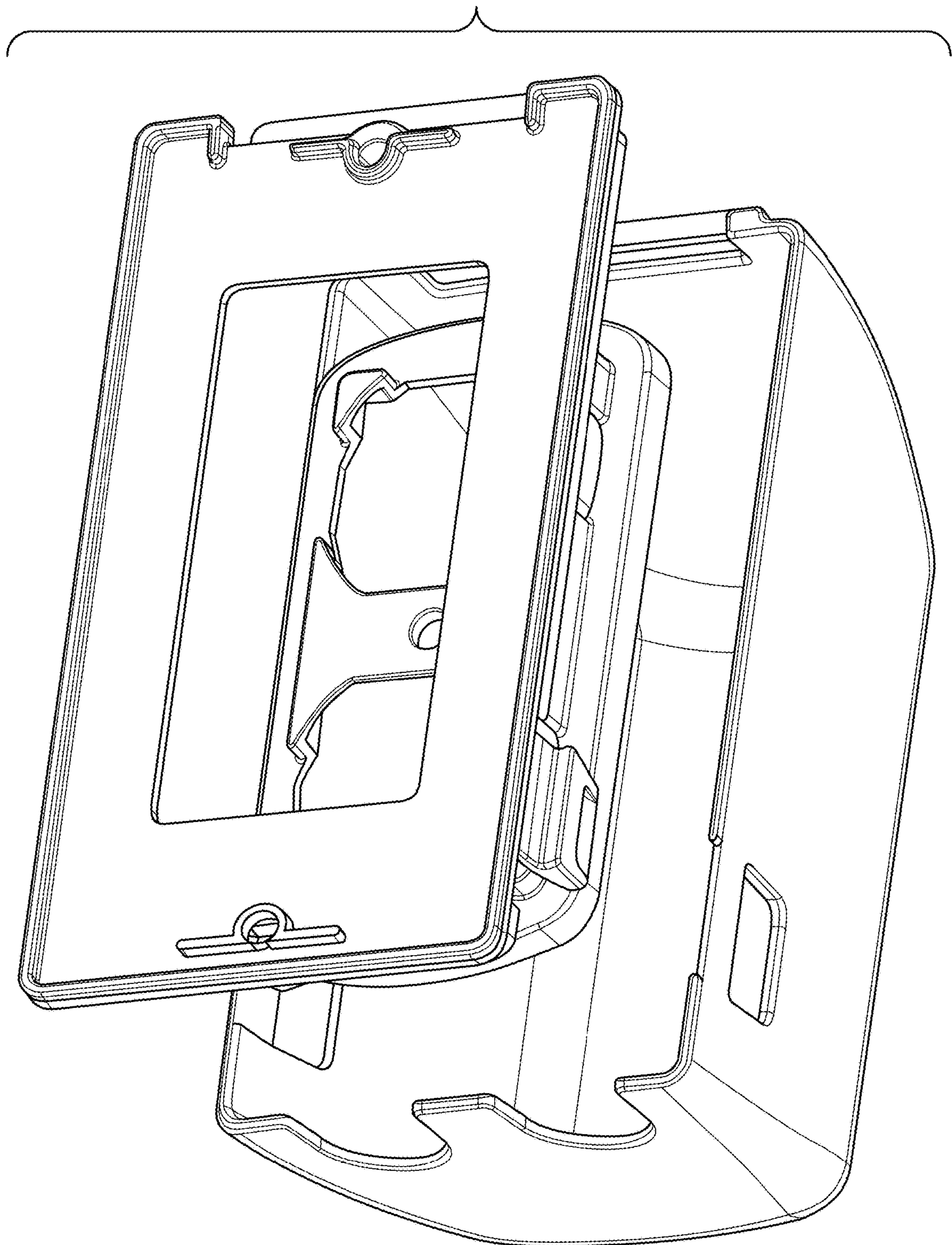


FIG. 16

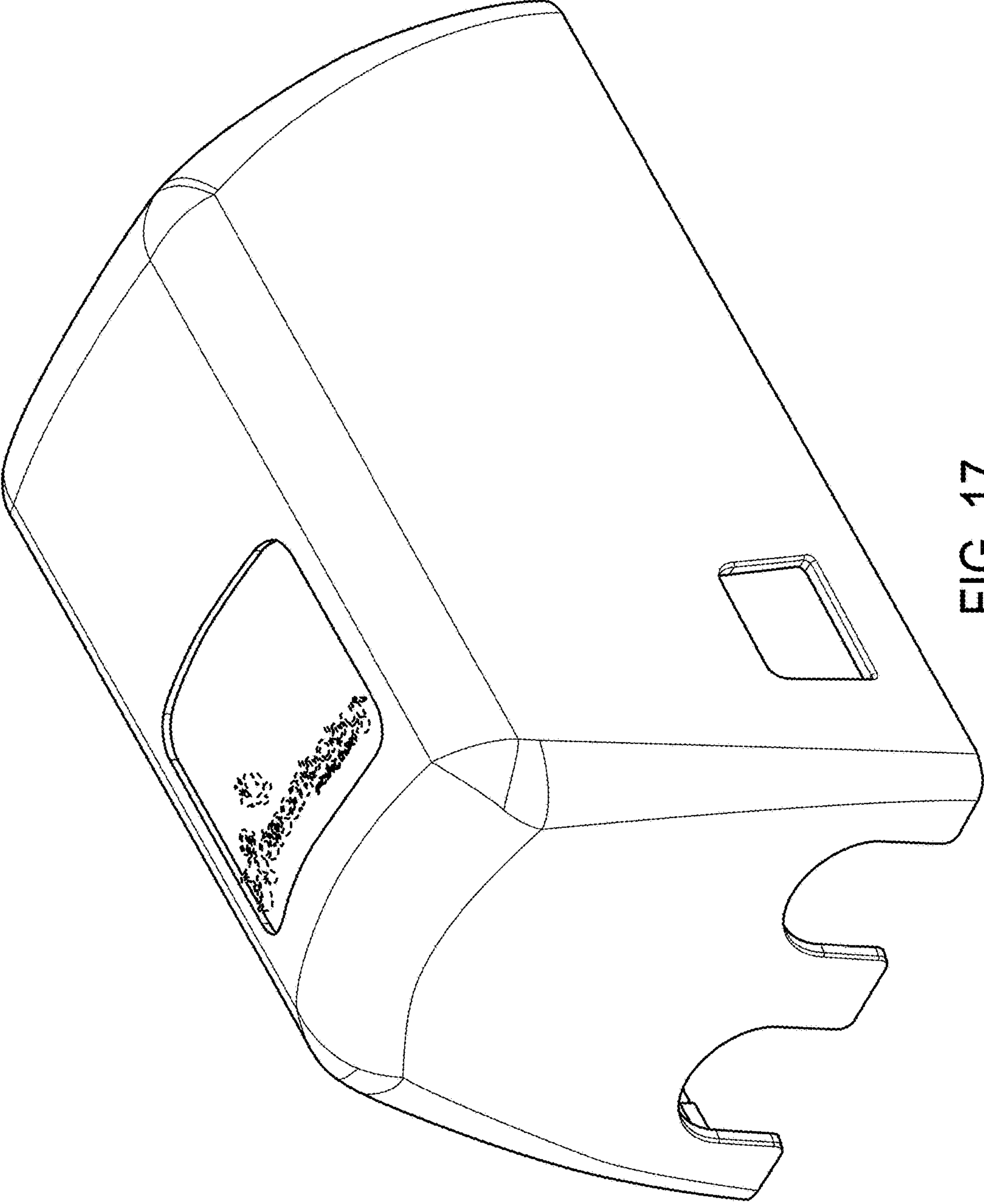


FIG. 17

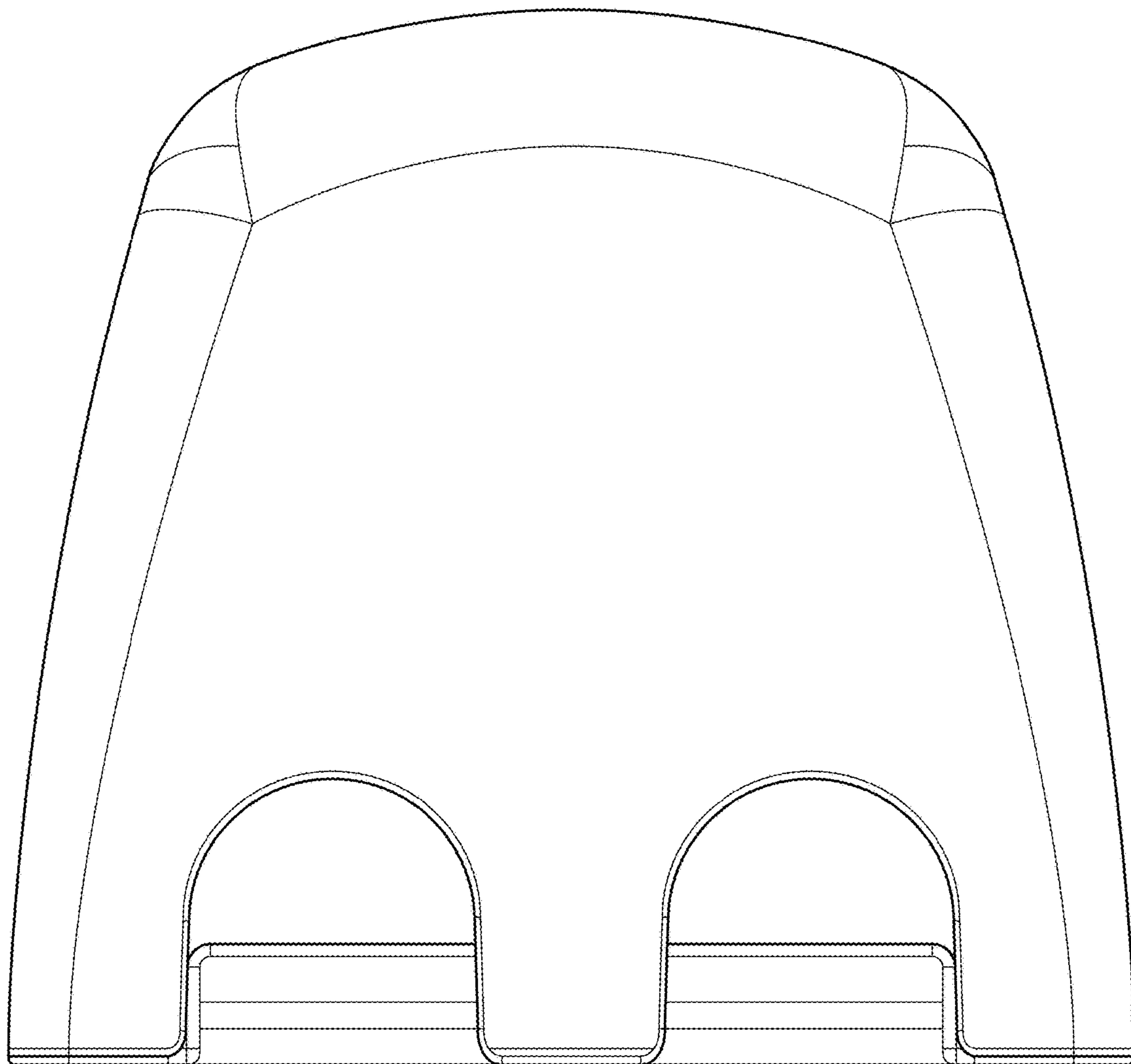


FIG. 18

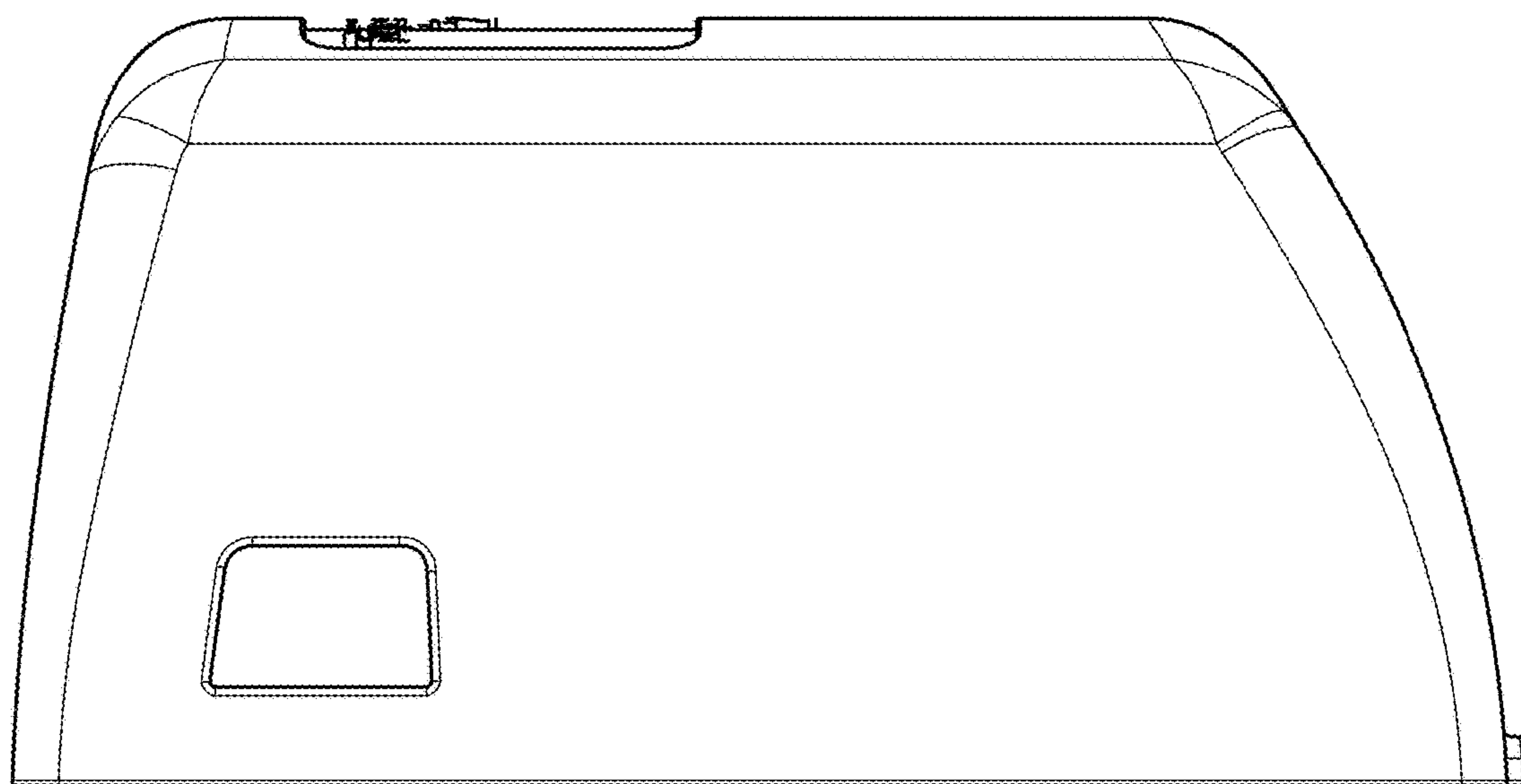


FIG. 19

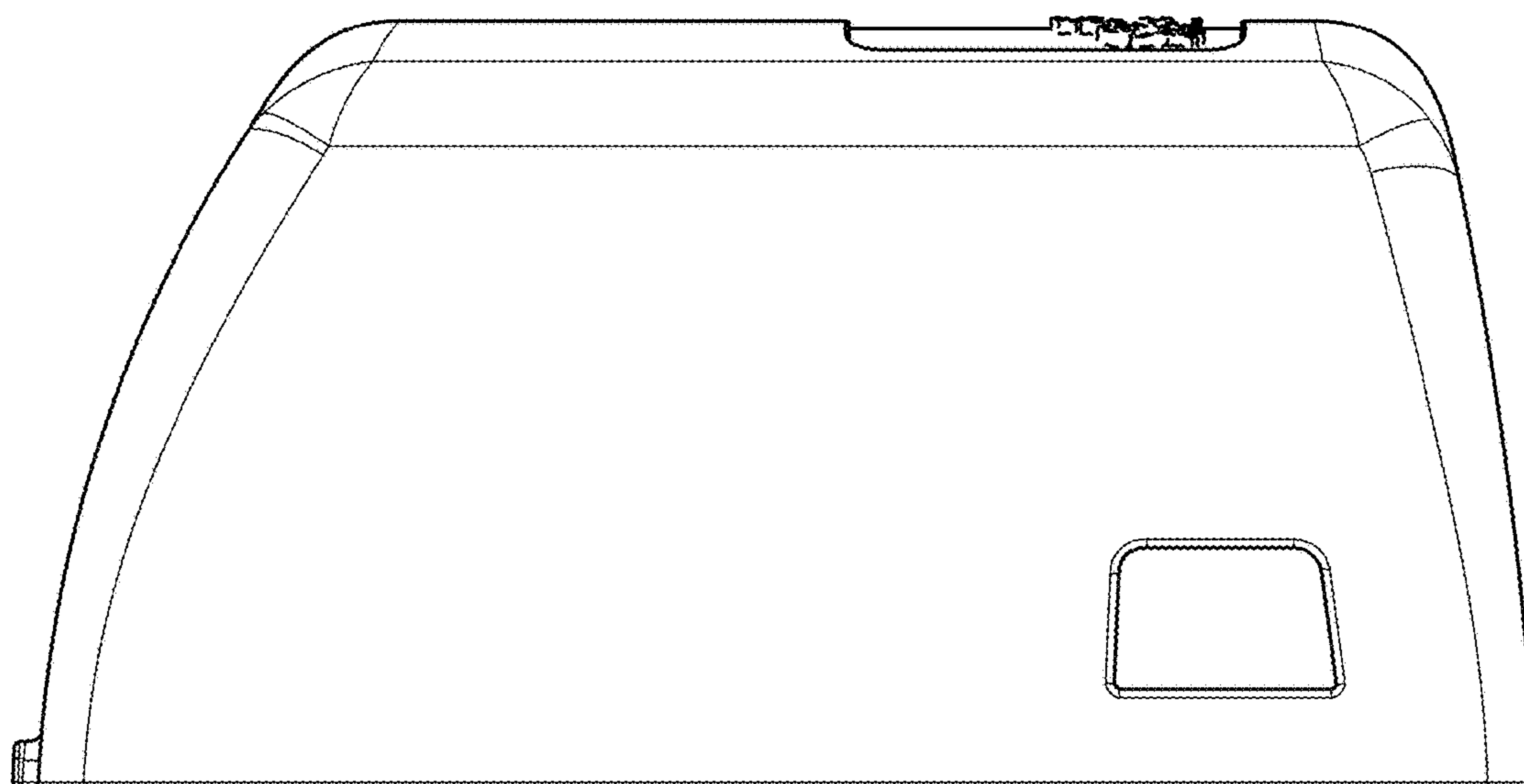


FIG. 20

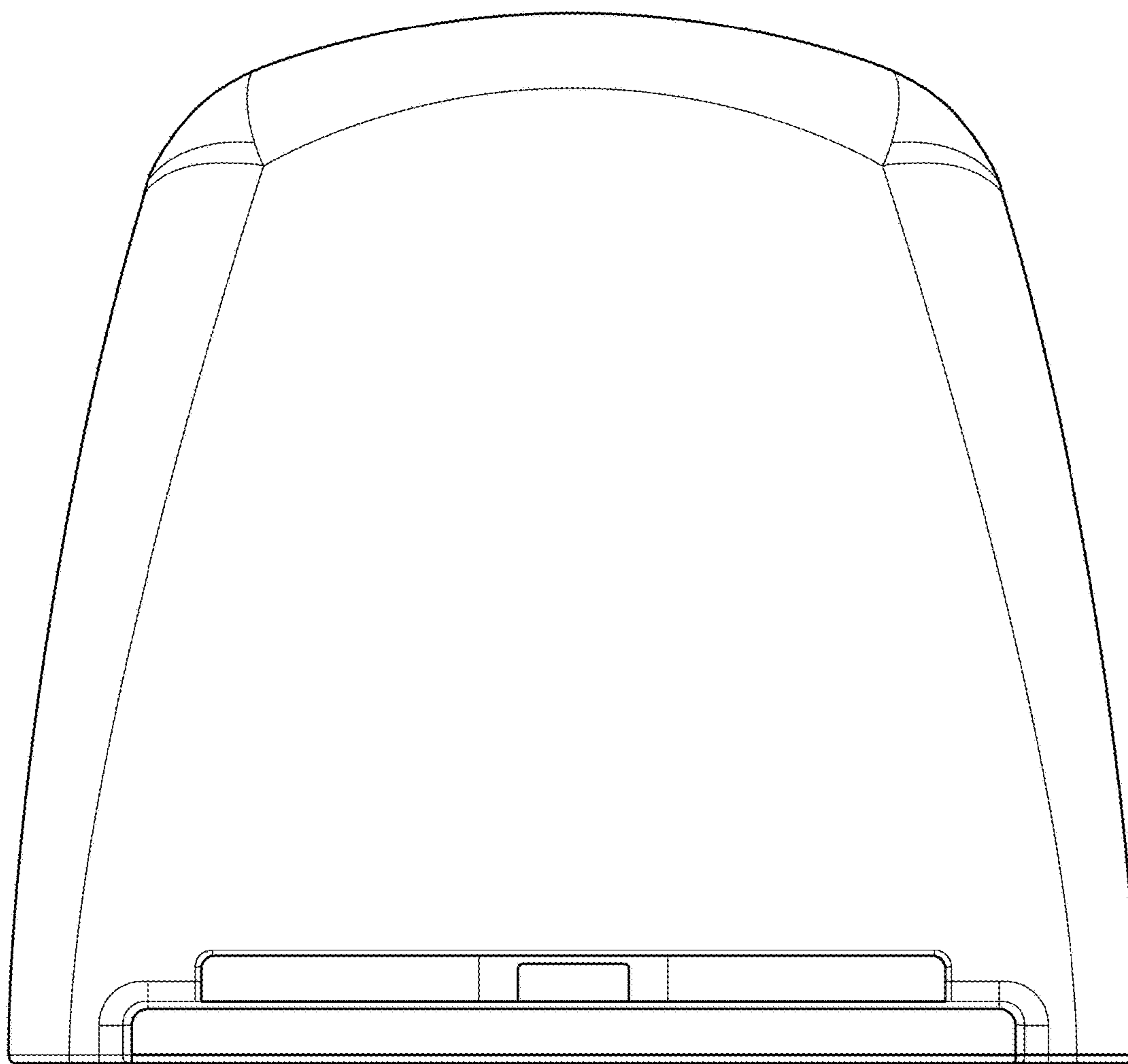


FIG. 21

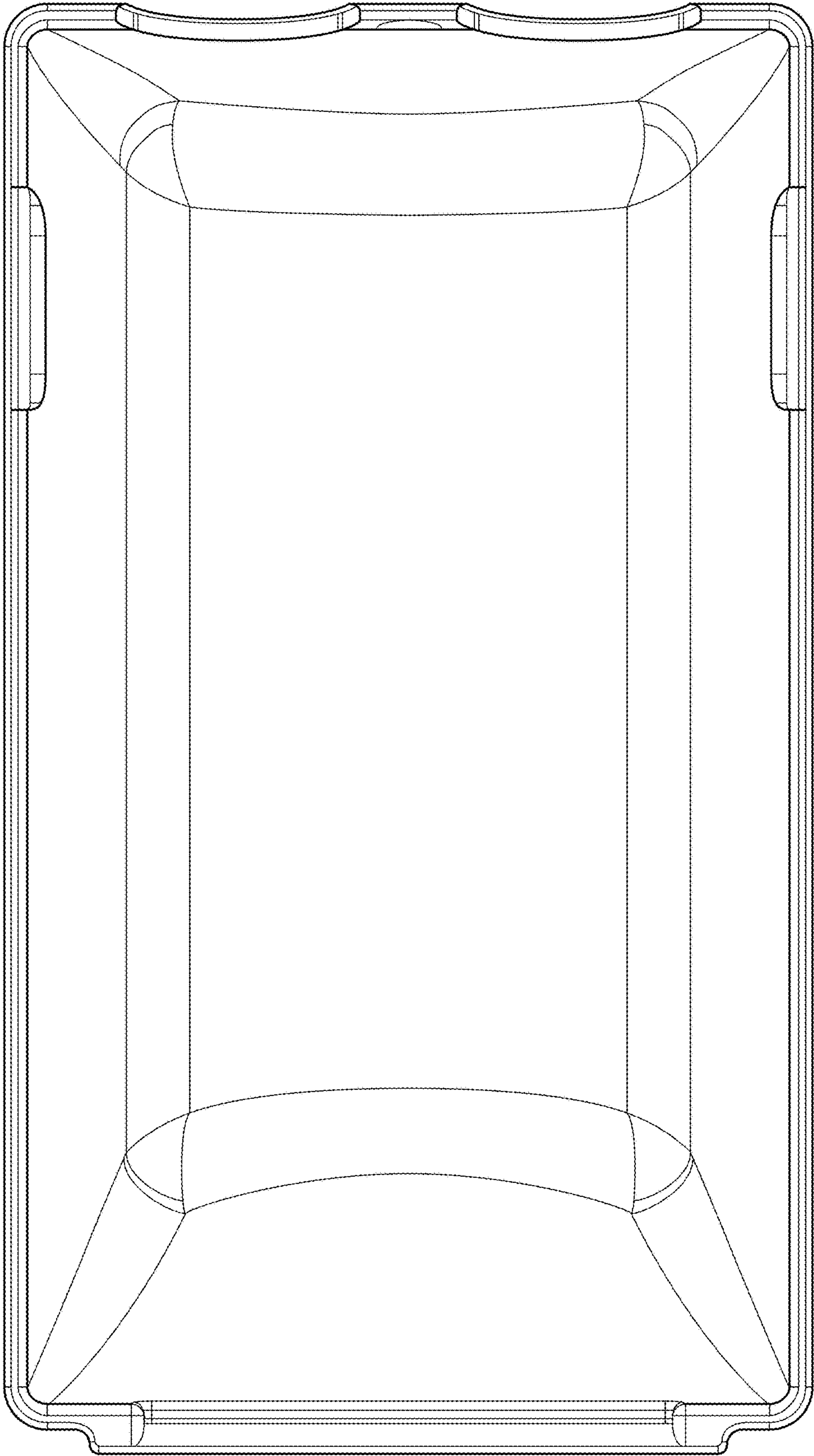


FIG. 22

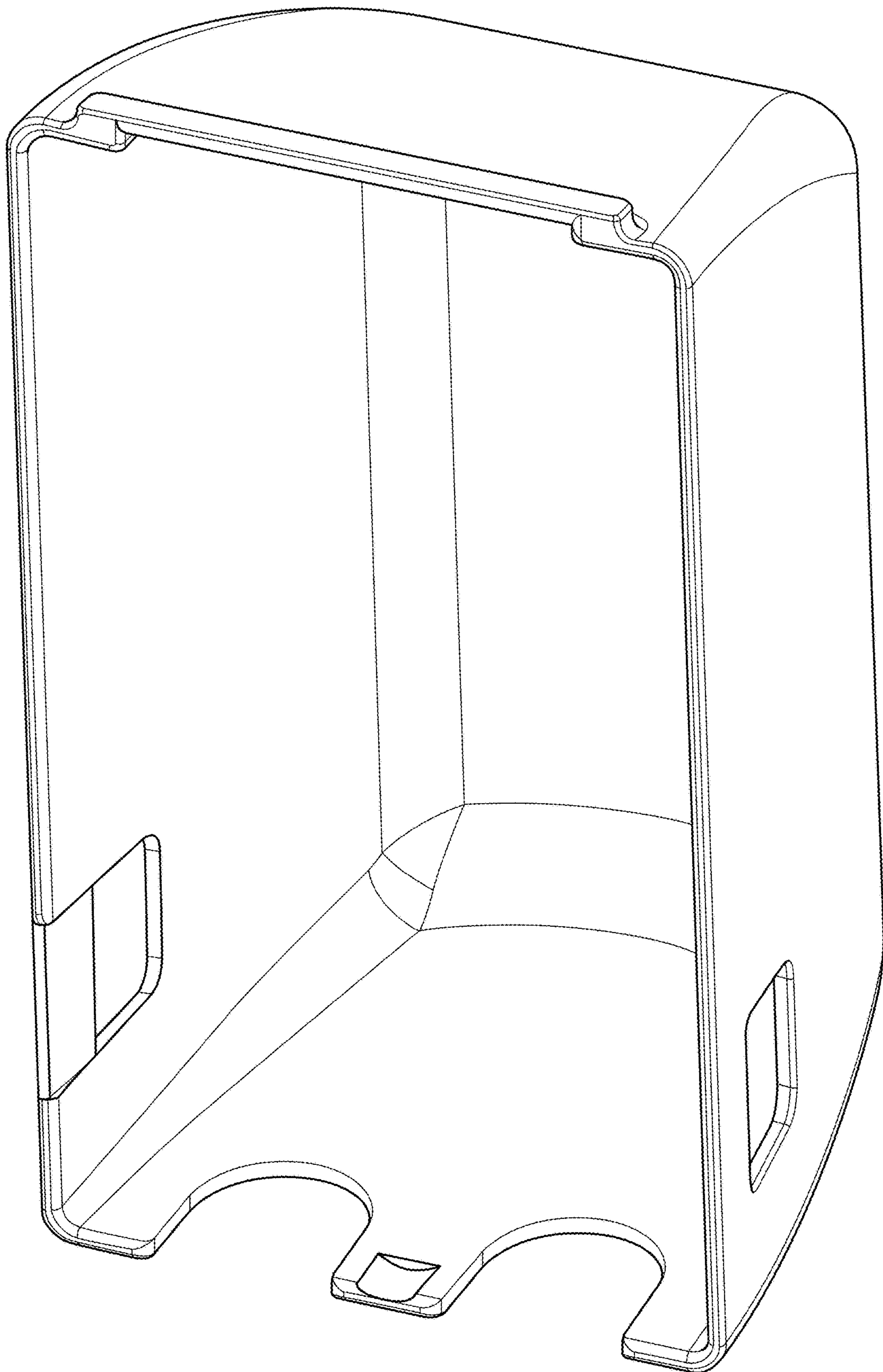


FIG. 23

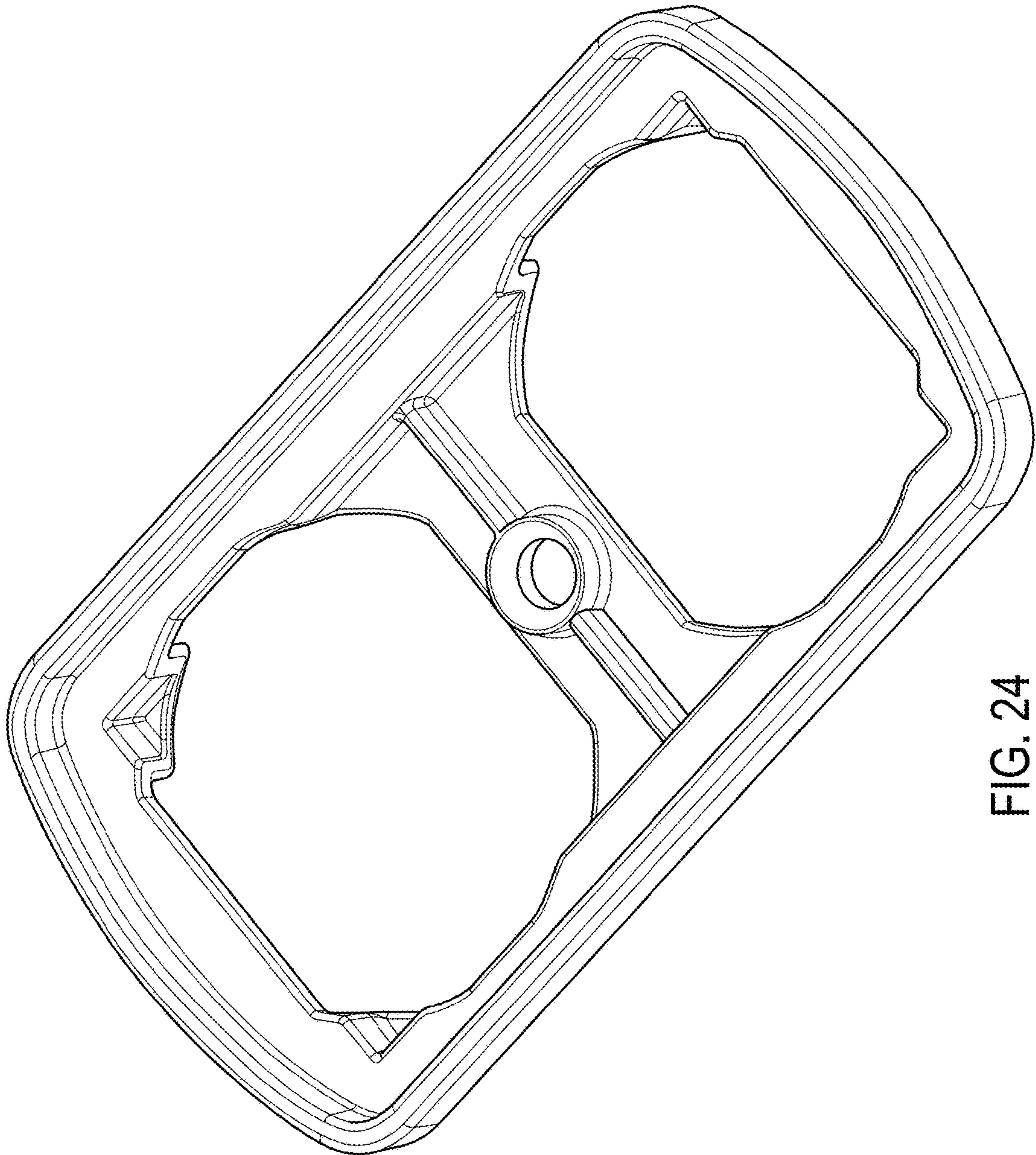


FIG. 24

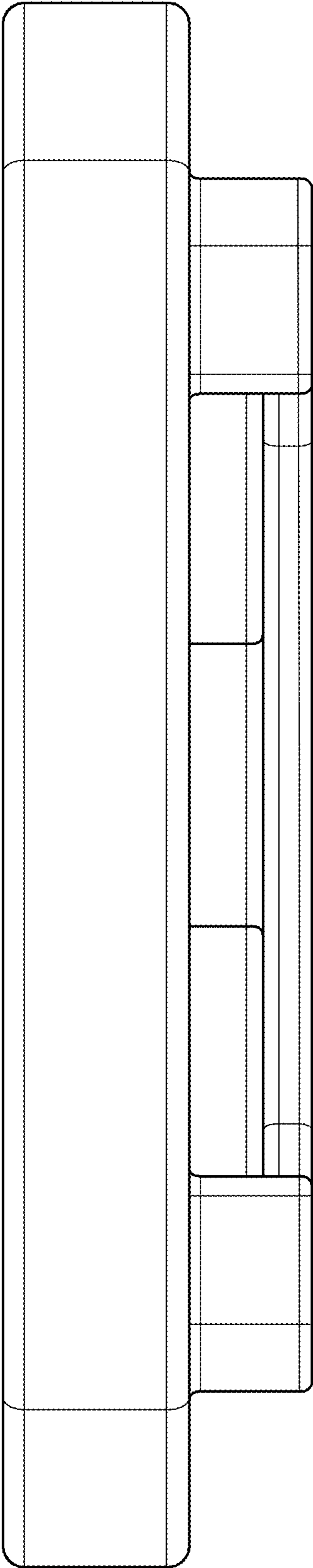


FIG. 25

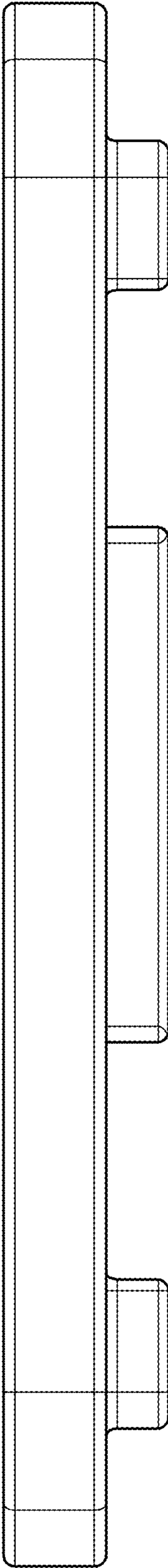


FIG. 26

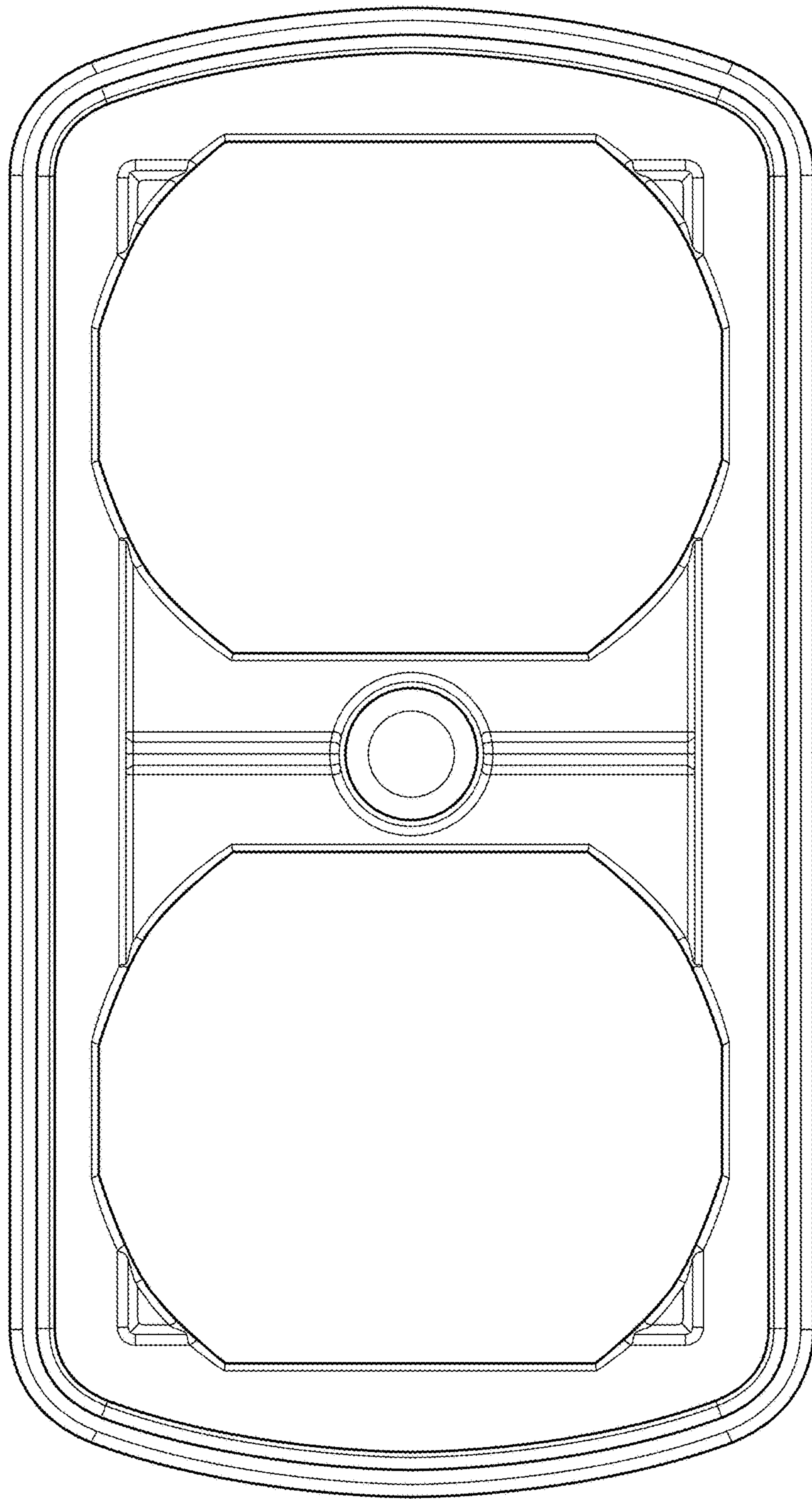


FIG. 27

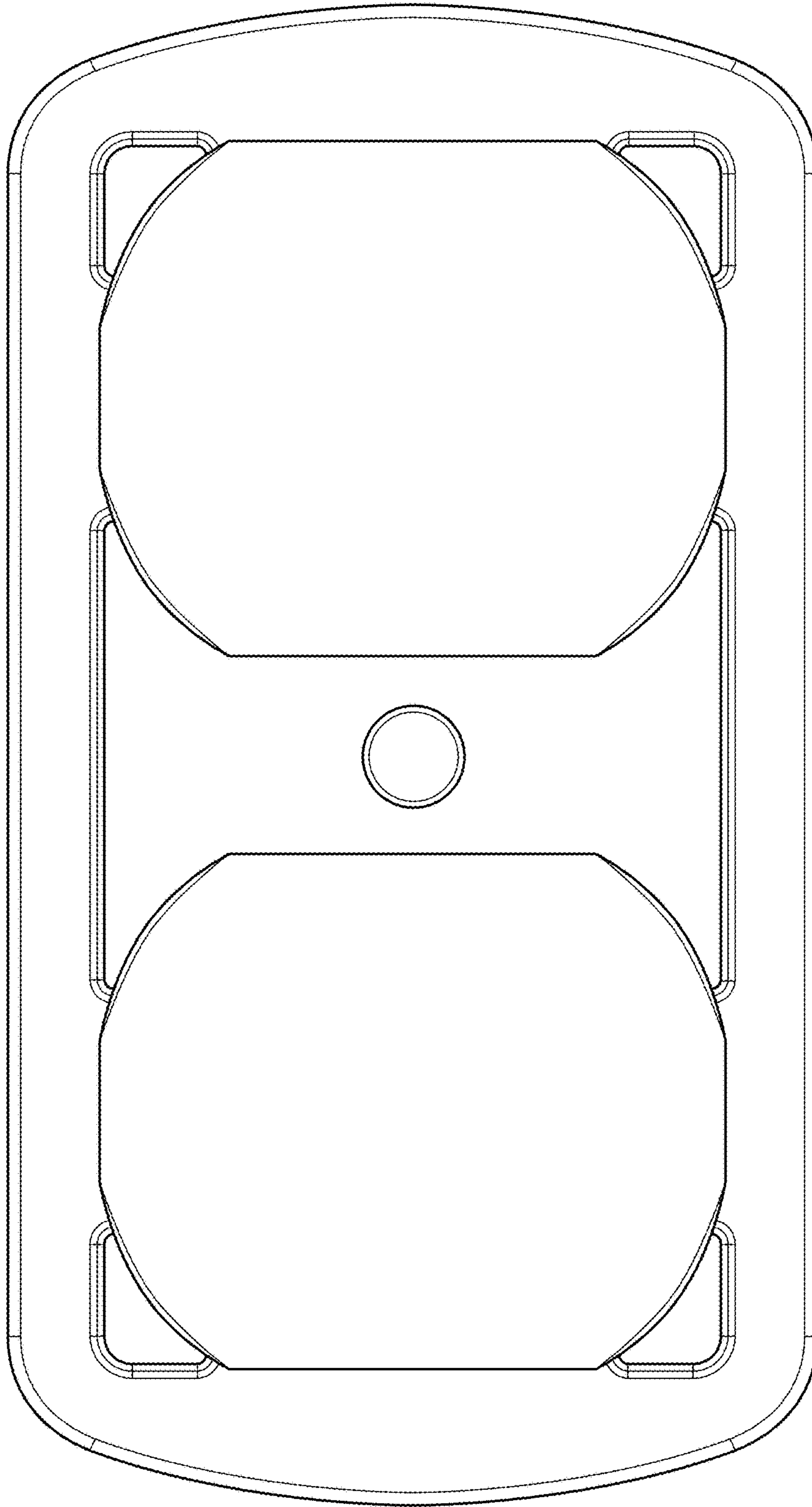


FIG. 28

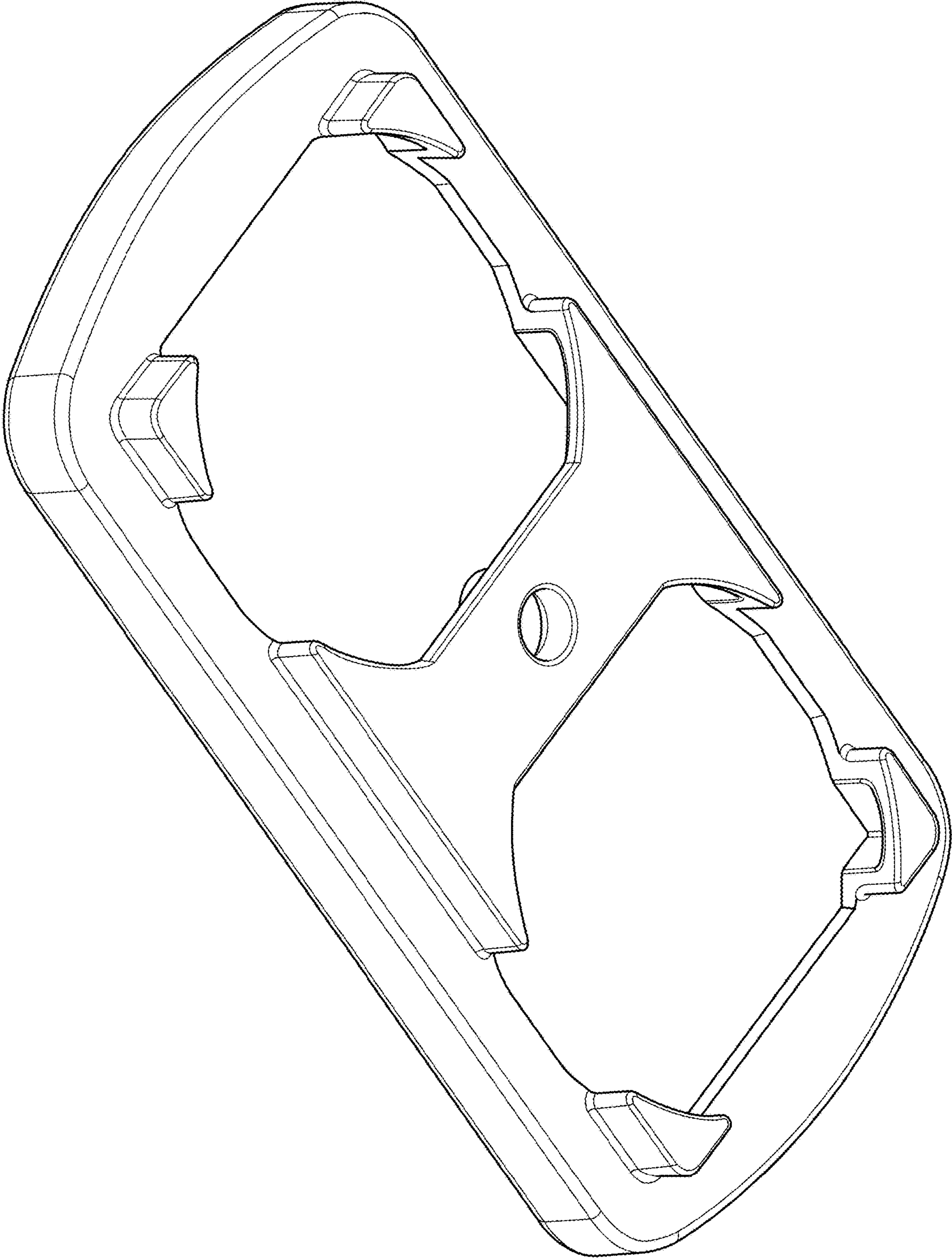


FIG. 29

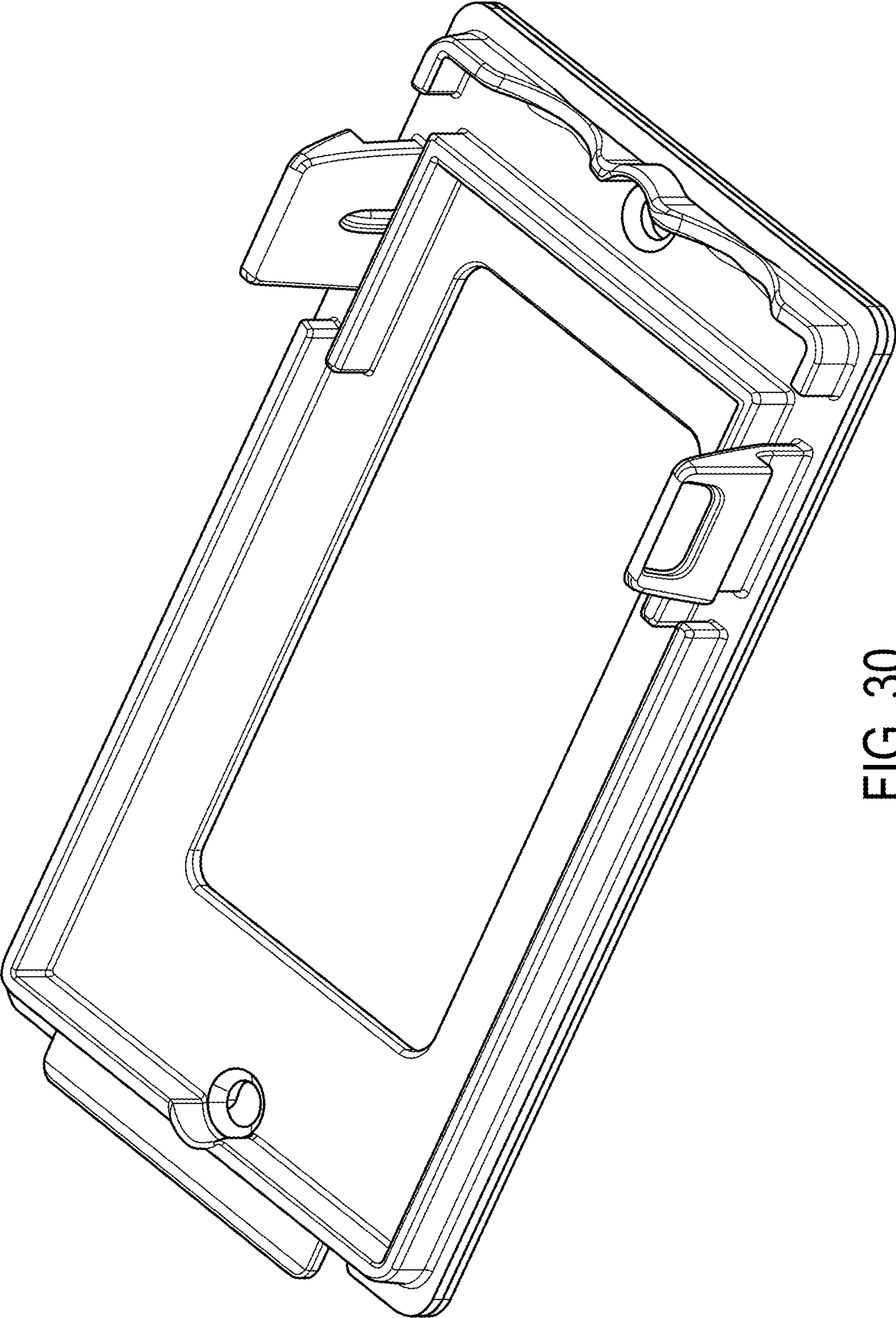


FIG. 30

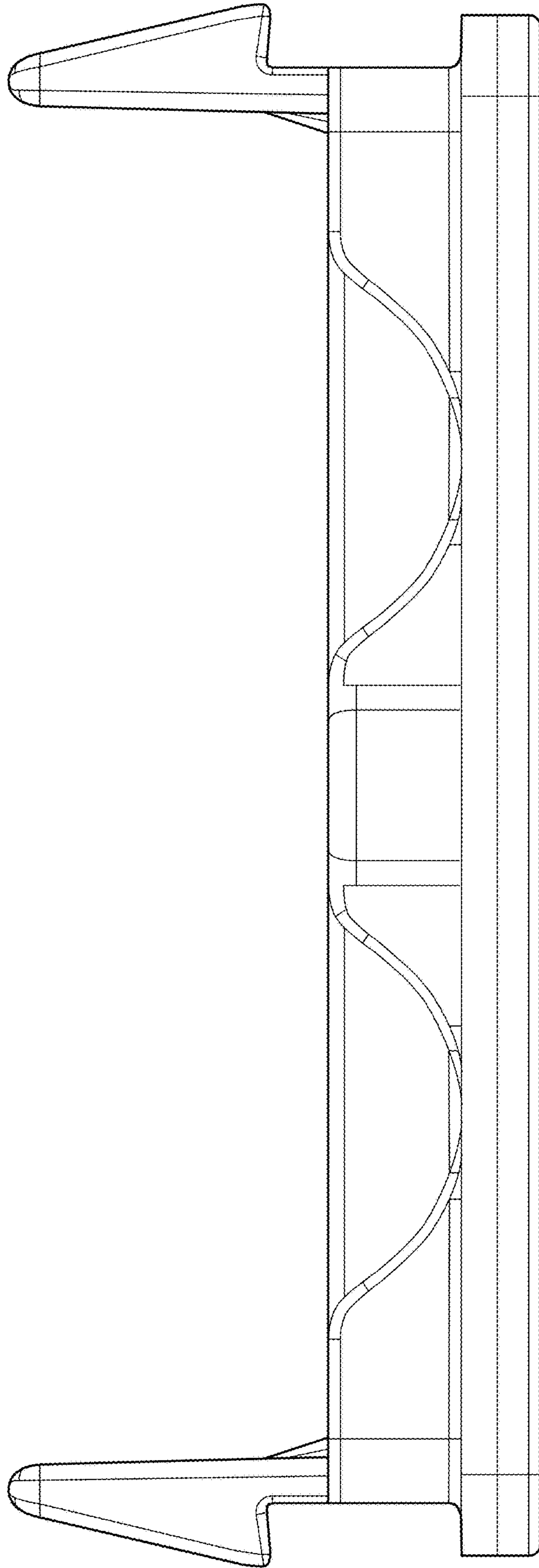


FIG. 31

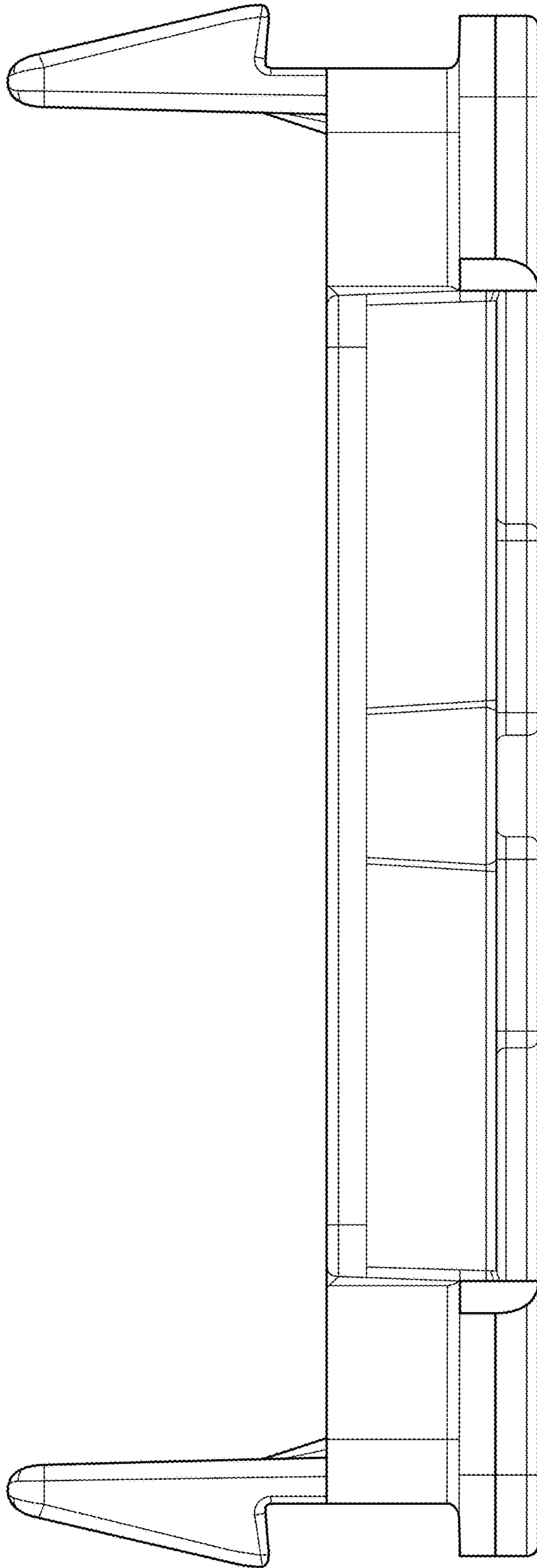


FIG. 32

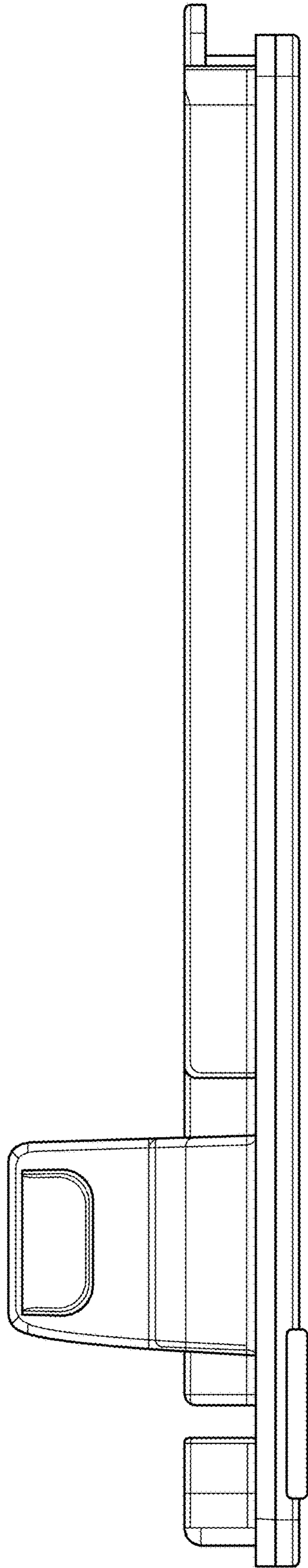


FIG. 33

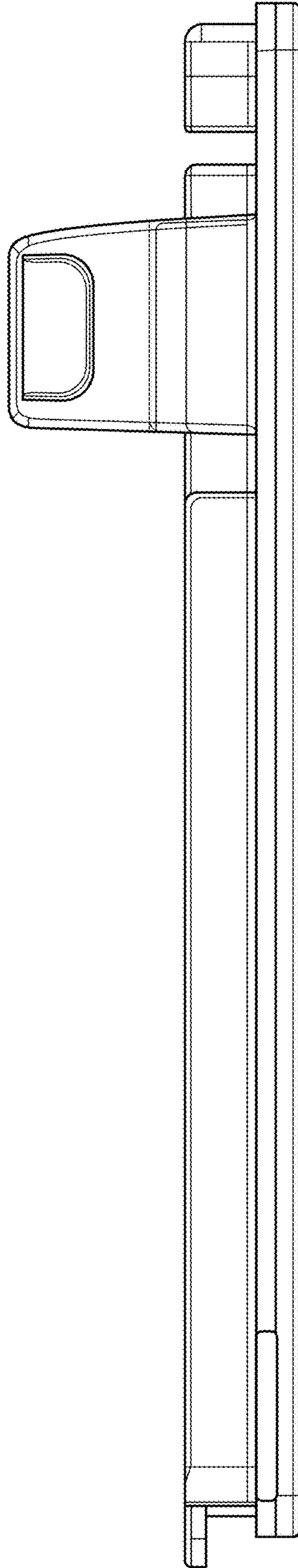


FIG. 34

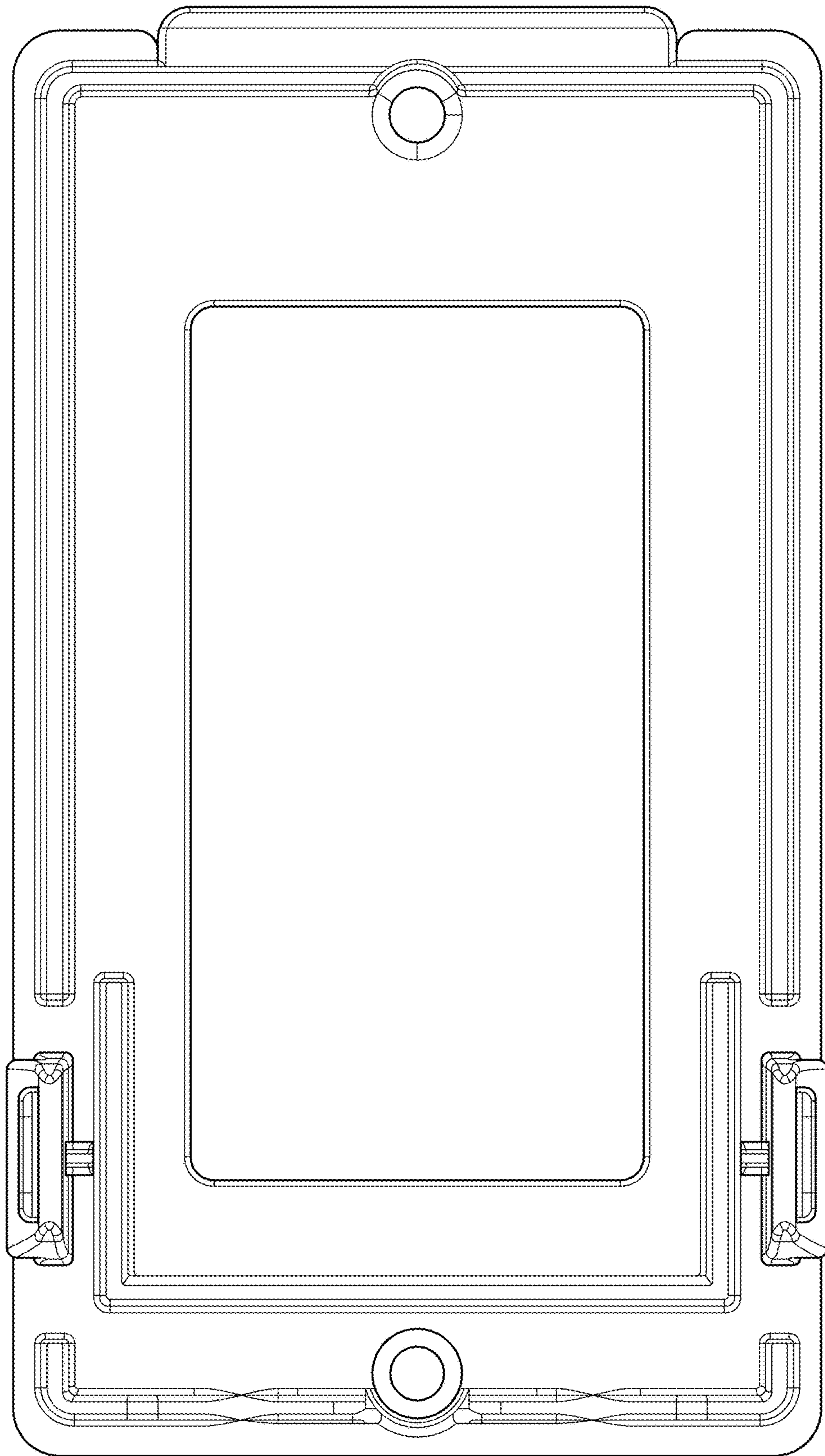


FIG. 35

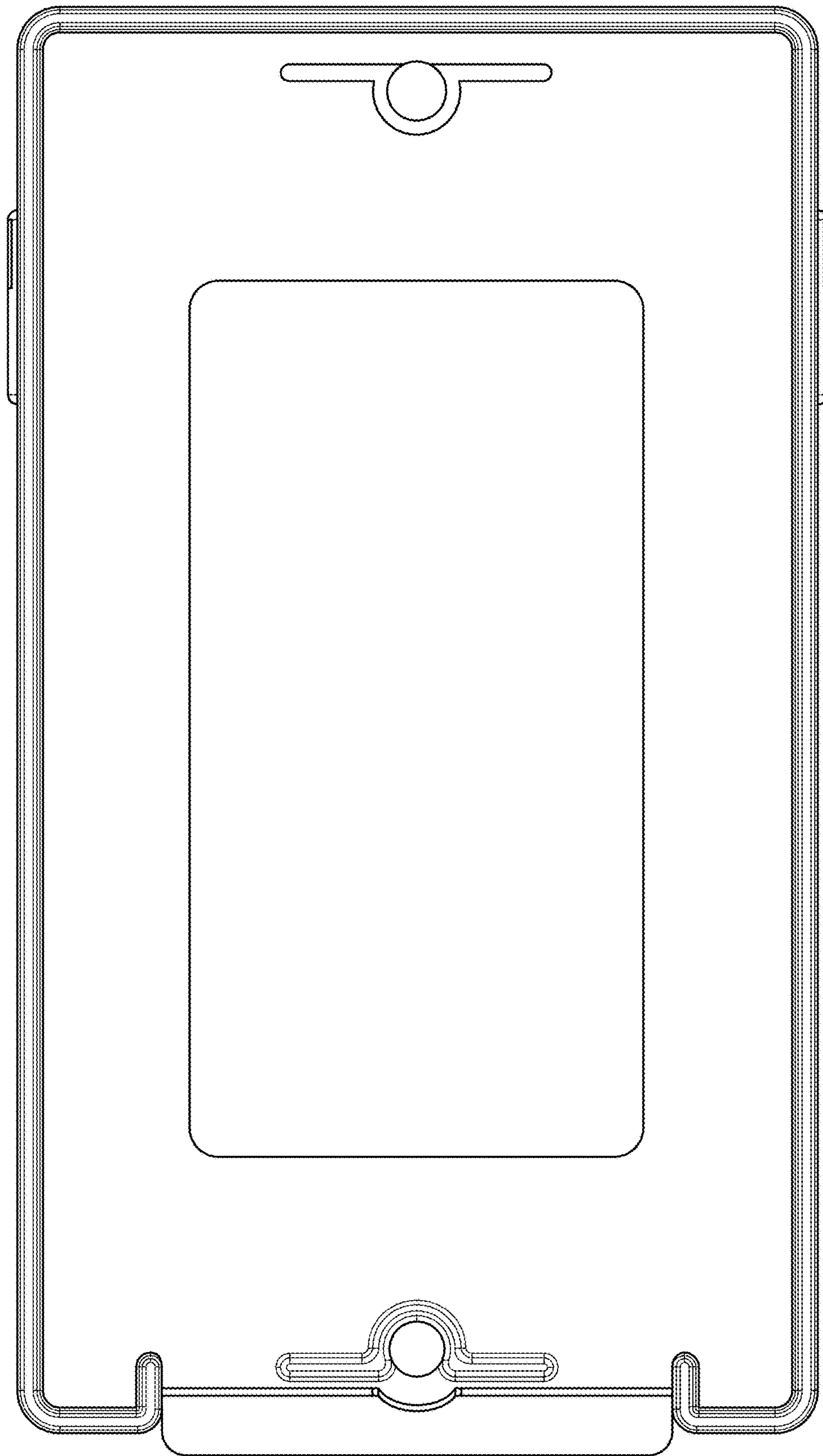


FIG. 36

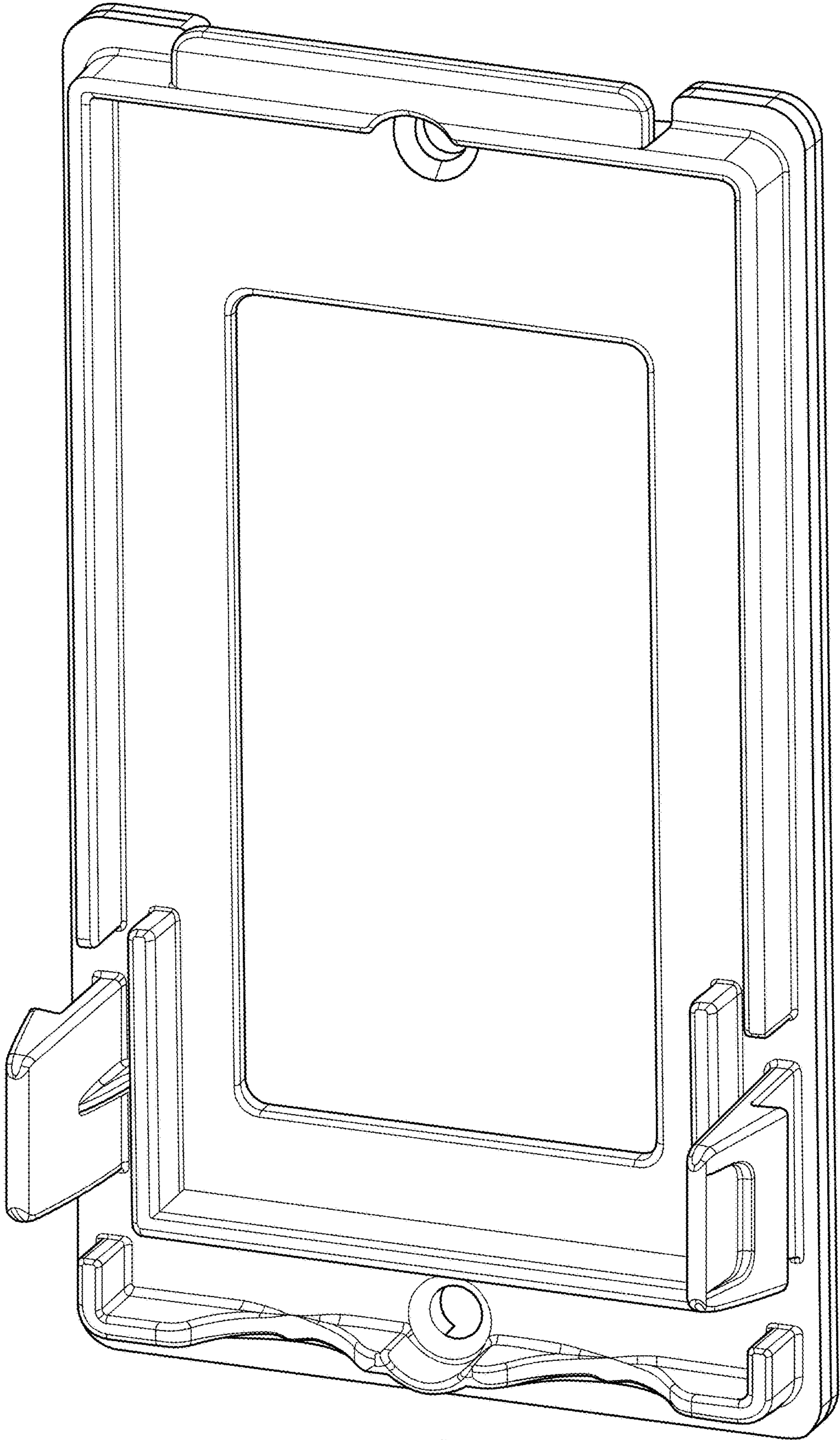


FIG. 37

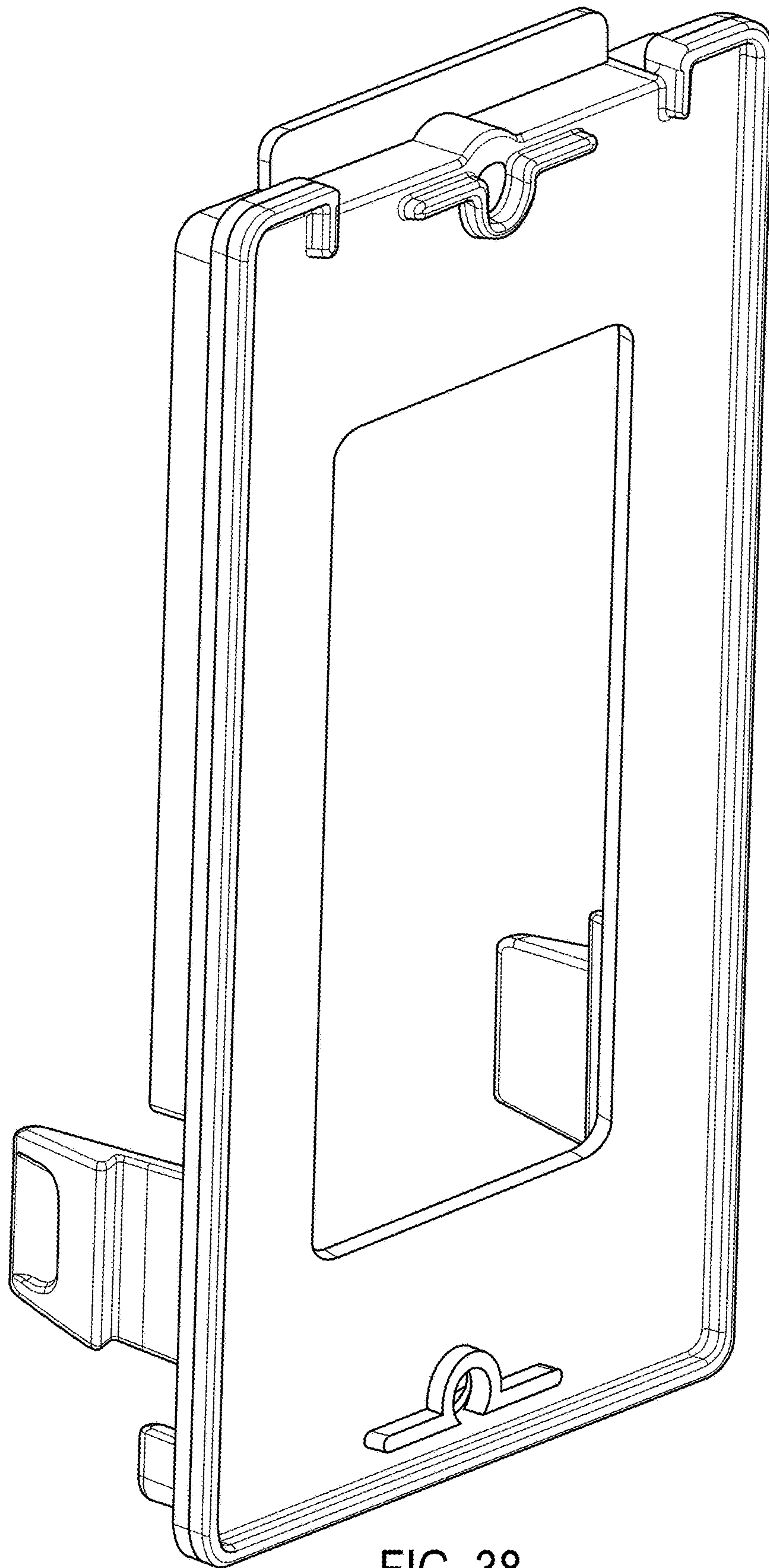


FIG. 38