



US00D783541S

(12) **United States Design Patent**
Minn et al.

(10) **Patent No.:** **US D783,541 S**
(45) **Date of Patent:** **** Apr. 11, 2017**

(54) **TRIPLE HEADED CHARGING CABLE**

(71) Applicant: **Kenu, Inc.**, San Francisco, CA (US)

(72) Inventors: **Kenneth Y. Minn**, San Francisco, CA (US); **David E. Yao**, San Francisco, CA (US); **Leonard John Duran**, San Francisco, CA (US)

(73) Assignee: **KENU, INC.**, San Francisco, CA (US)

(**) Term: **15 Years**

(21) Appl. No.: **29/530,864**

(22) Filed: **Jun. 19, 2015**

(51) **LOC (10) Cl.** **13-03**

(52) **U.S. Cl.**
USPC **D13/153**

(58) **Field of Classification Search**
USPC D13/107-108, 110, 154, 147, 133, 153,
D13/146; D3/208

(Continued)

(56) **References Cited**

U.S. PATENT DOCUMENTS

D604,243 S * 11/2009 Thorner D13/133
D604,253 S * 11/2009 Andre D13/133

(Continued)

Primary Examiner — Rosemary K Tarca

Assistant Examiner — Nathaniel D Buckner

(74) *Attorney, Agent, or Firm* — Vierra Magen Marcus LLP

(57) **CLAIM**

We claim the ornamental design for a triple headed charging cable, as shown and described.

DESCRIPTION

FIG. 1 is a forward perspective view of a first embodiment of a triple headed charging cable;

FIG. 2 is a rotated forward perspective view of the triple headed charging cable depicted in FIG. 1;

FIG. 3 is a related rear perspective view of the triple headed charging cable depicted in FIG. 1;

FIG. 4 is a rotate rear perspective view of the triple headed charging cable depicted in FIG. 3;

FIG. 5 is a left side elevational view of the triple headed charging cable depicted in FIG. 1;

FIG. 6 is a right side elevational view of the triple headed charging cable depicted in FIG. 1;

FIG. 7 is a top plan view of the triple headed charging cable depicted in FIG. 1;

FIG. 8 is a bottom plan view the triple headed charging cable depicted in FIG. 1;

FIG. 9 is a front side elevational view of the triple headed charging cable depicted in FIG. 1;

FIG. 10 is a rear side elevational view of the triple headed charging cable depicted in FIG. 1;

FIG. 11 is a forward perspective view of a second embodiment of a triple headed charging cable;

FIG. 12 is a rotated forward perspective view of the triple headed charging cable depicted in FIG. 11;

FIG. 13 is a related rear perspective view of the triple headed charging cable depicted in FIG. 11;

FIG. 14 is a rotate rear perspective view of the triple headed charging cable depicted in FIG. 13;

FIG. 15 is a left side elevational view of the triple headed charging cable depicted in FIG. 11;

FIG. 16 is a right side elevational view of the triple headed charging cable depicted in FIG. 11;

FIG. 17 is a top plan view of the triple headed charging cable depicted in FIG. 11;

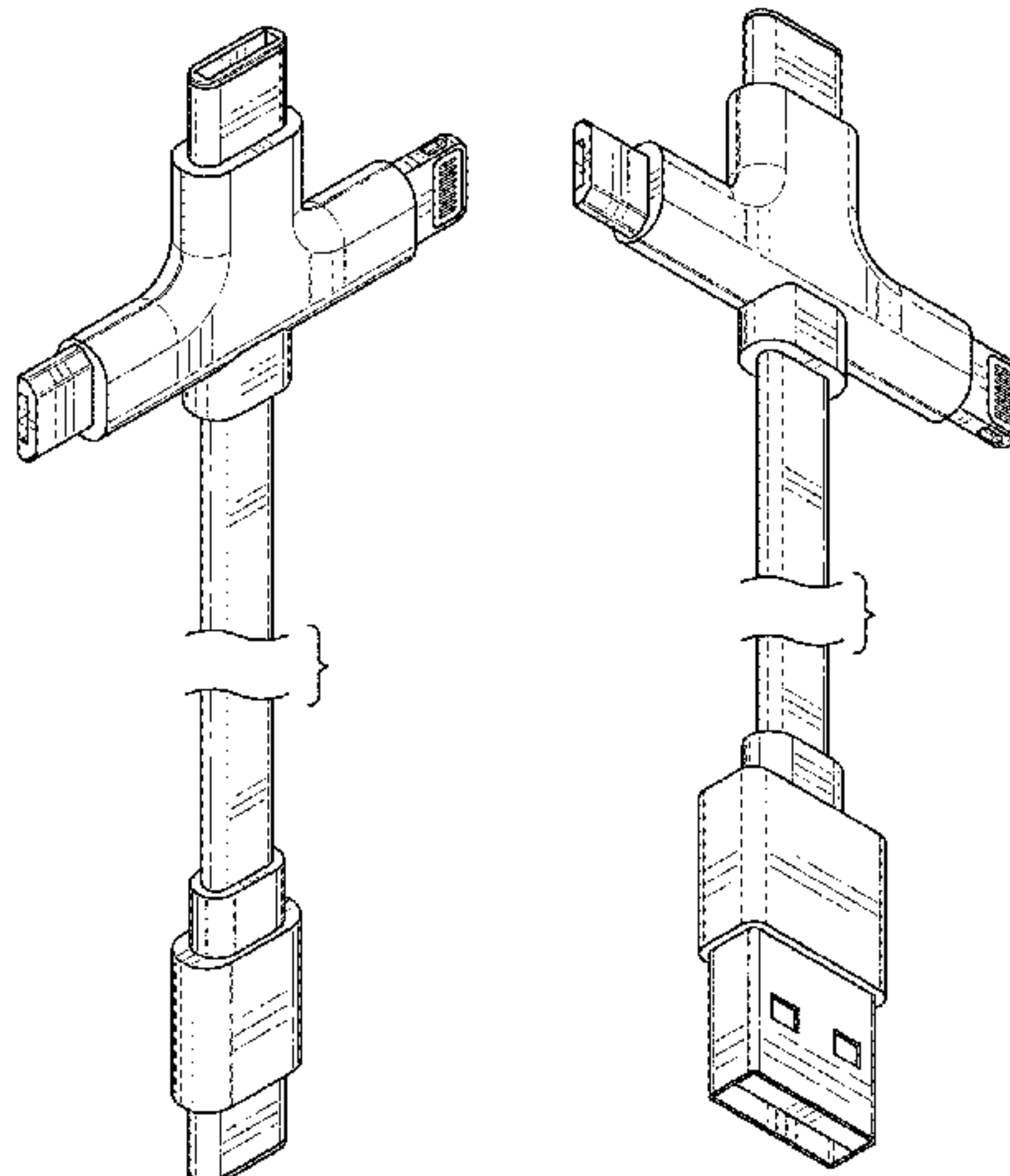
FIG. 18 is a bottom plan view the triple headed charging cable depicted in FIG. 11;

FIG. 19 is a front side elevational view of the triple headed charging cable depicted in FIG. 11; and,

FIG. 20 is a rear side elevational view of the triple headed charging cable depicted in FIG. 11.

The broken away symbols in the drawings indicate the appearance of any portion of the article between the break lines forms no part of the claimed design.

1 Claim, 10 Drawing Sheets



(58) **Field of Classification Search**

CPC H01R 13/5845; H01R 13/72; H01R 31/06;
B65H 75/36; H04M 1/15

See application file for complete search history.

(56) **References Cited**

U.S. PATENT DOCUMENTS

D651,180	S	*	12/2011	Lee	D13/154
D669,438	S	*	10/2012	Li	D13/147
D671,075	S	*	11/2012	Yang	D13/147
D675,574	S	*	2/2013	Farris-Gilbert	D13/147
D675,992	S	*	2/2013	Farris-Gilbert	D13/147
D692,390	S	*	10/2013	Smith	D13/133
D694,190	S	*	11/2013	Wincek	D13/147
D701,172	S	*	3/2014	Evers	D13/147
D707,180	S	*	6/2014	Yi	D13/147
D716,235	S	*	10/2014	Tien	D13/147
D728,482	S	*	5/2015	Cepress	D13/147
D733,658	S	*	7/2015	Yang	D13/147
D738,312	S	*	9/2015	Bress	D13/147
D741,808	S	*	10/2015	Shim	D13/147
D742,320	S	*	11/2015	Akana	D13/147
D743,965	S	*	11/2015	Laffon de Mazieres	D13/154
D746,780	S	*	1/2016	Akana	D13/147
D747,272	S	*	1/2016	Zhao	D13/147
D747,273	S	*	1/2016	Langhammer	D13/147
D748,581	S	*	2/2016	Chen	D13/147
D751,991	S	*	3/2016	Akana	D13/147

* cited by examiner

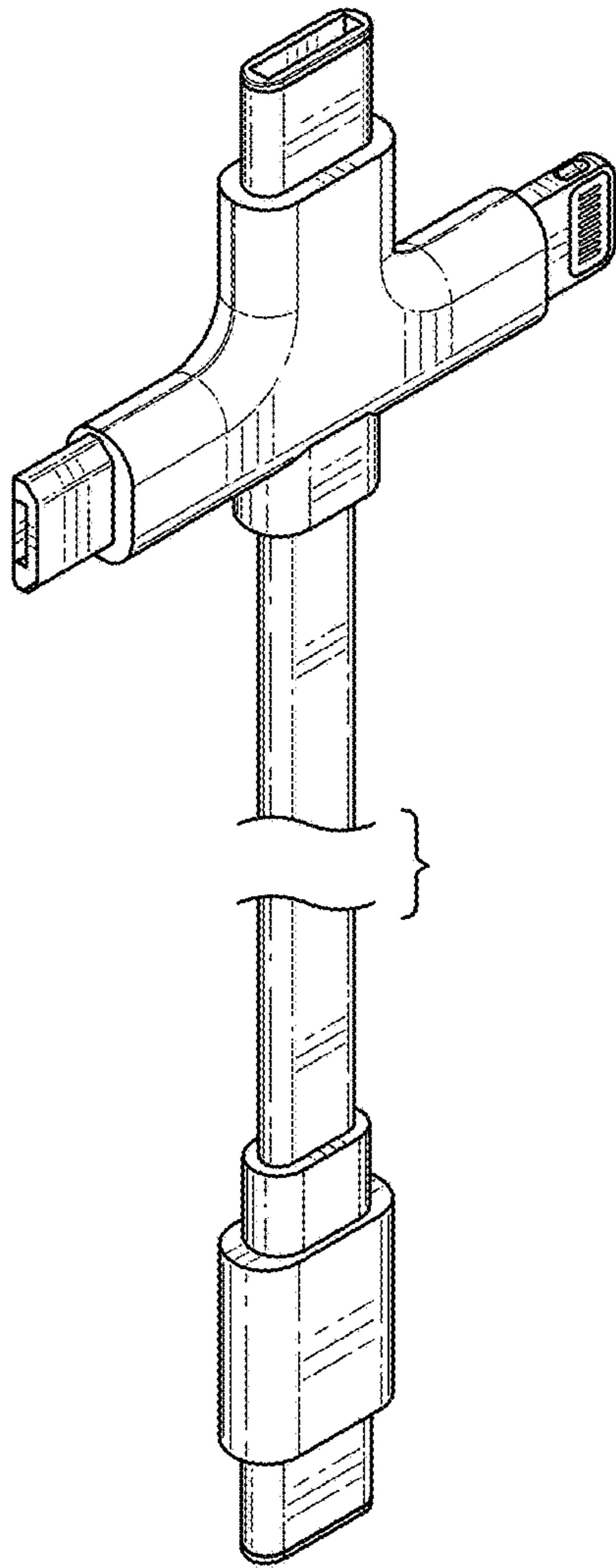


FIG. 1

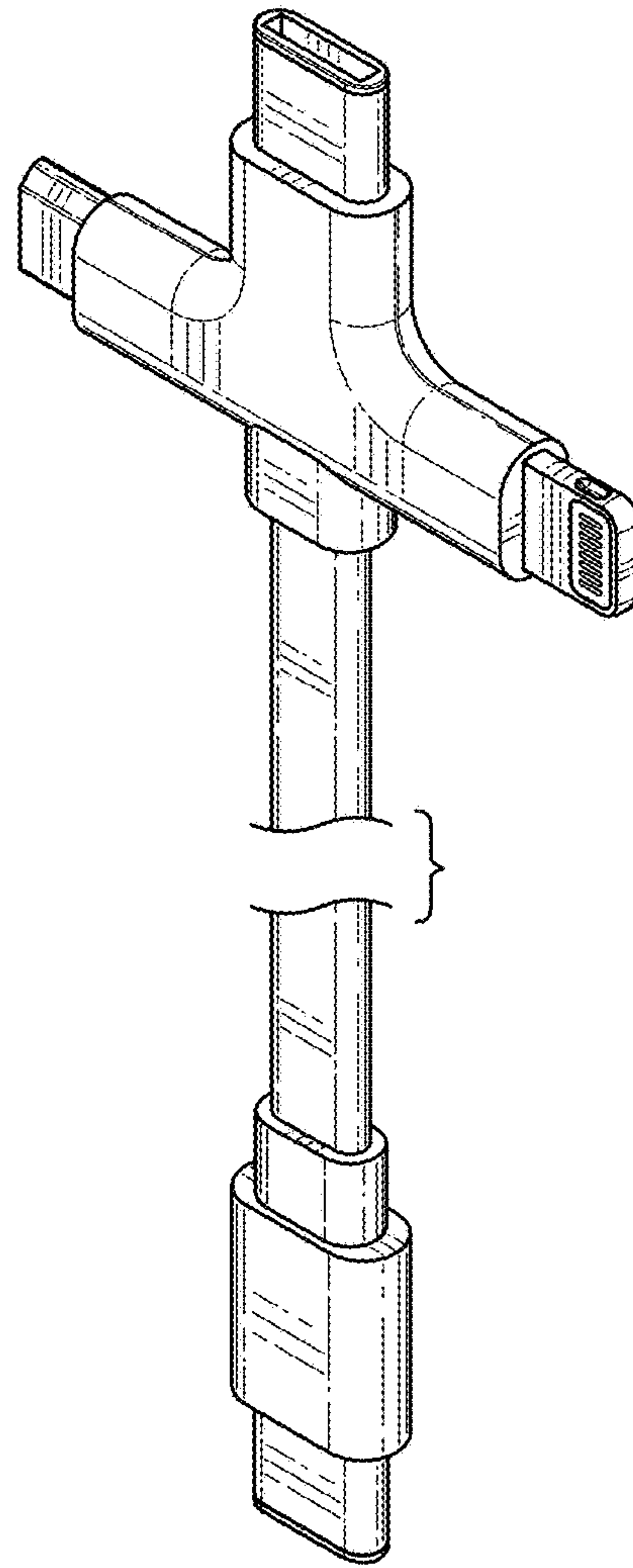


FIG. 2

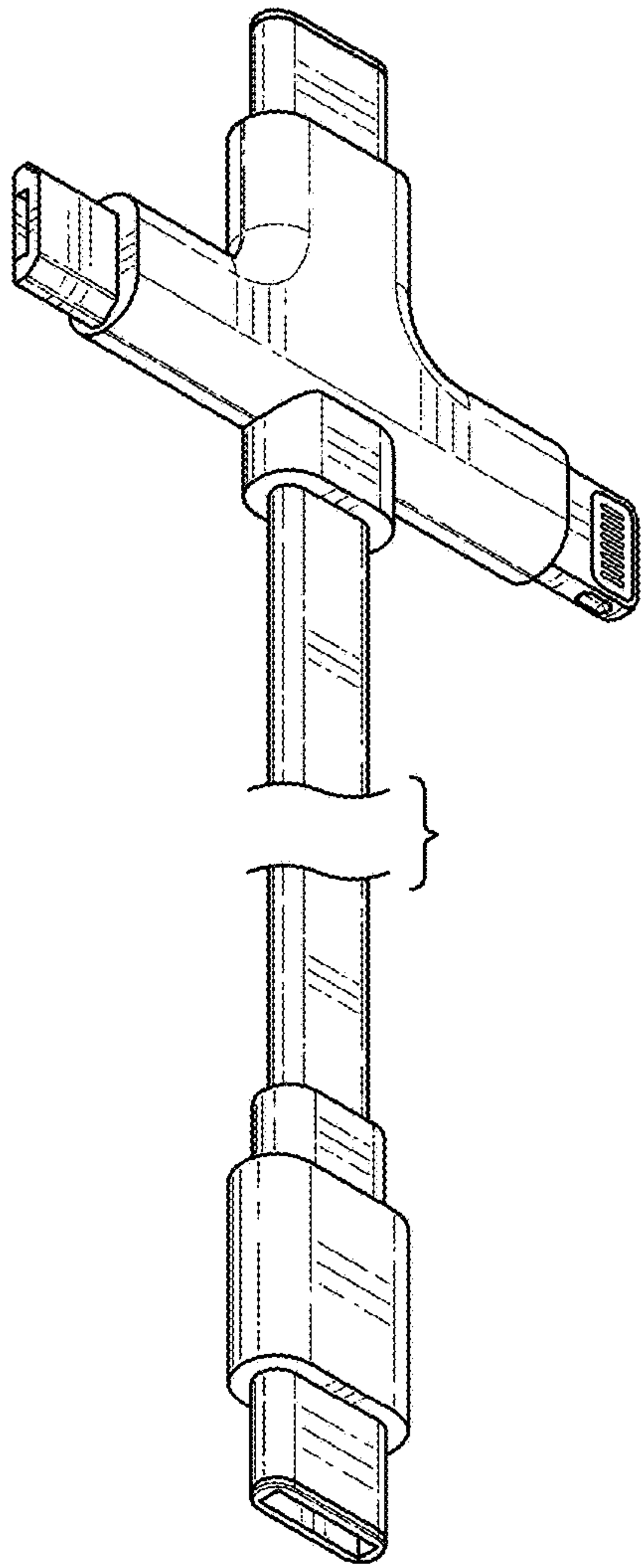


FIG. 3

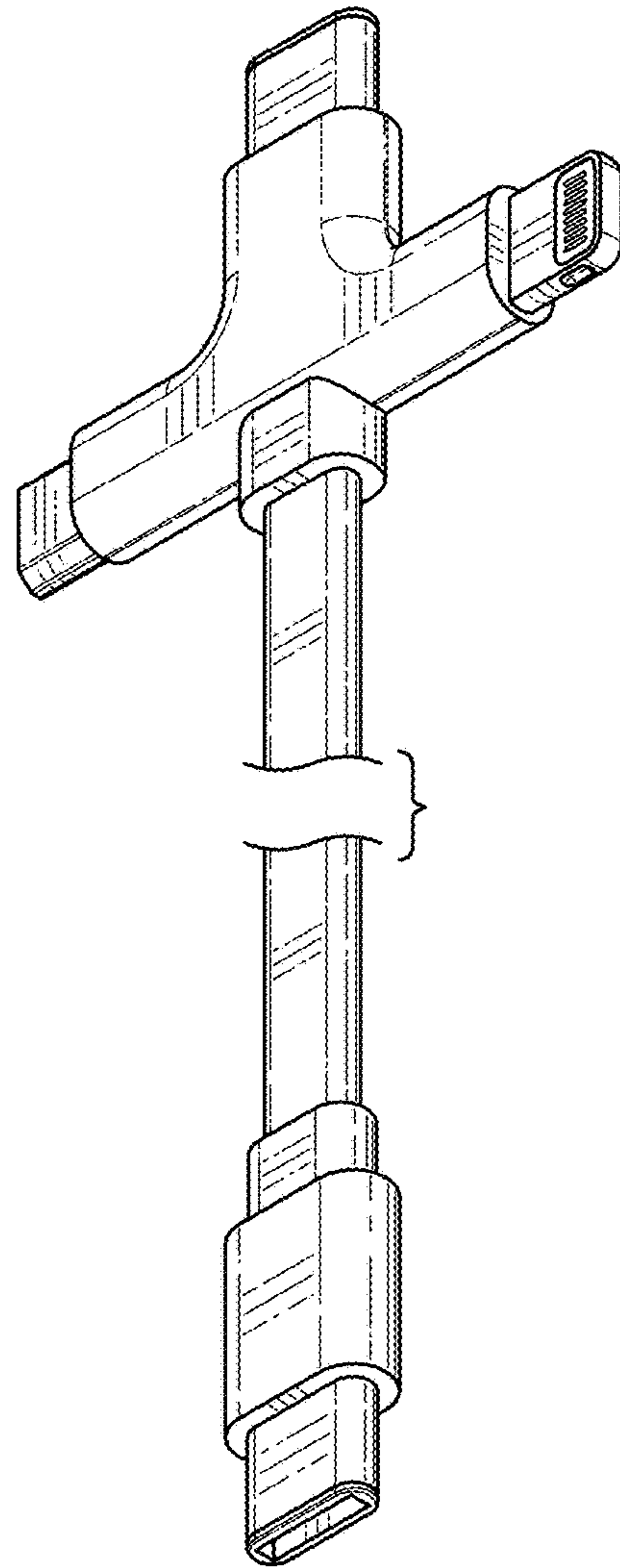


FIG. 4

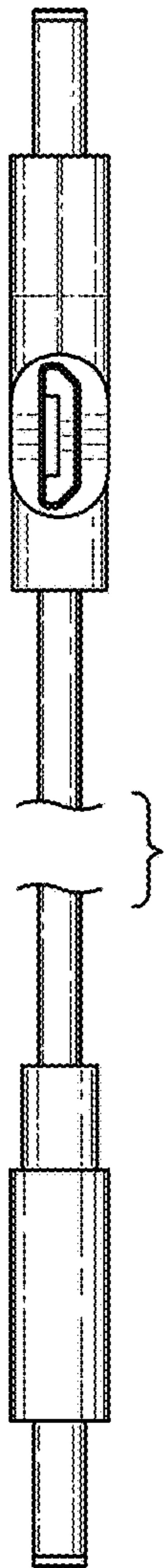


FIG. 5

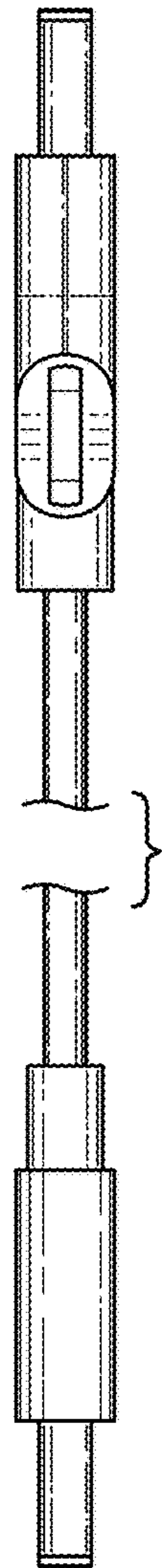


FIG. 6

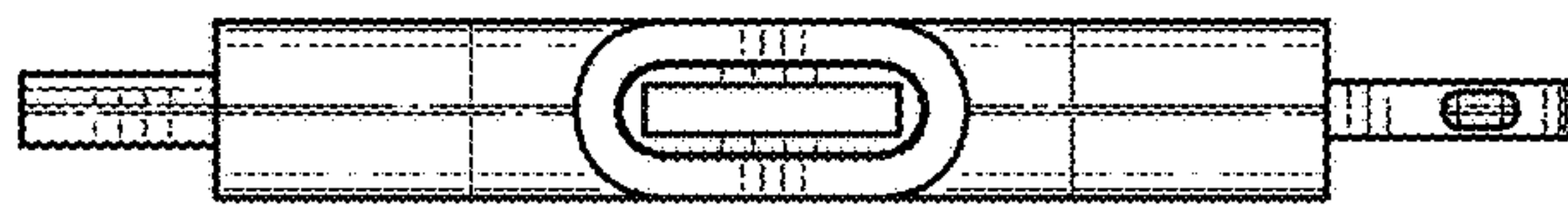


FIG. 7

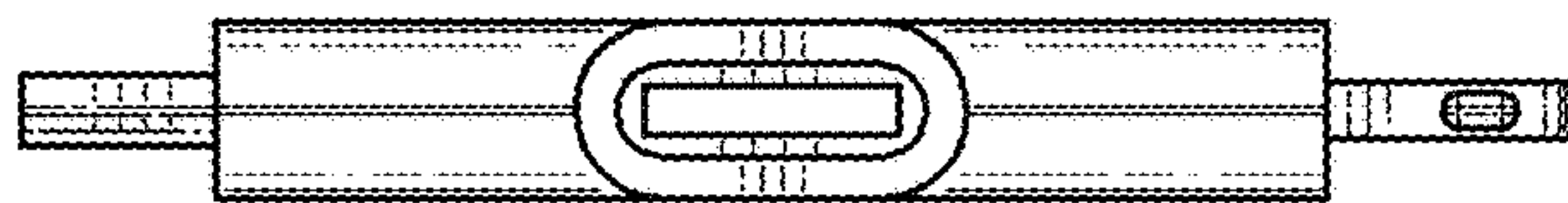


FIG. 8

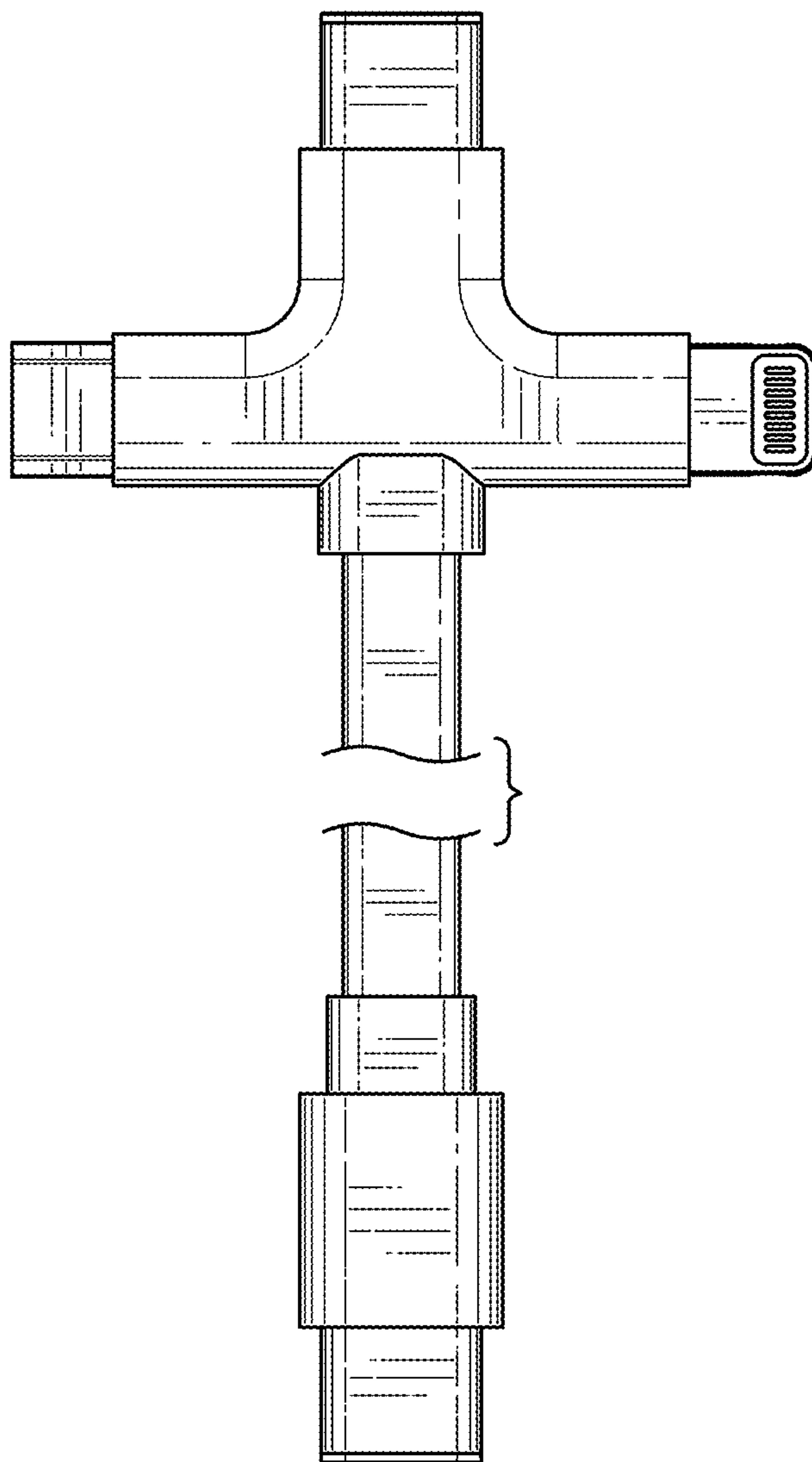


FIG. 9

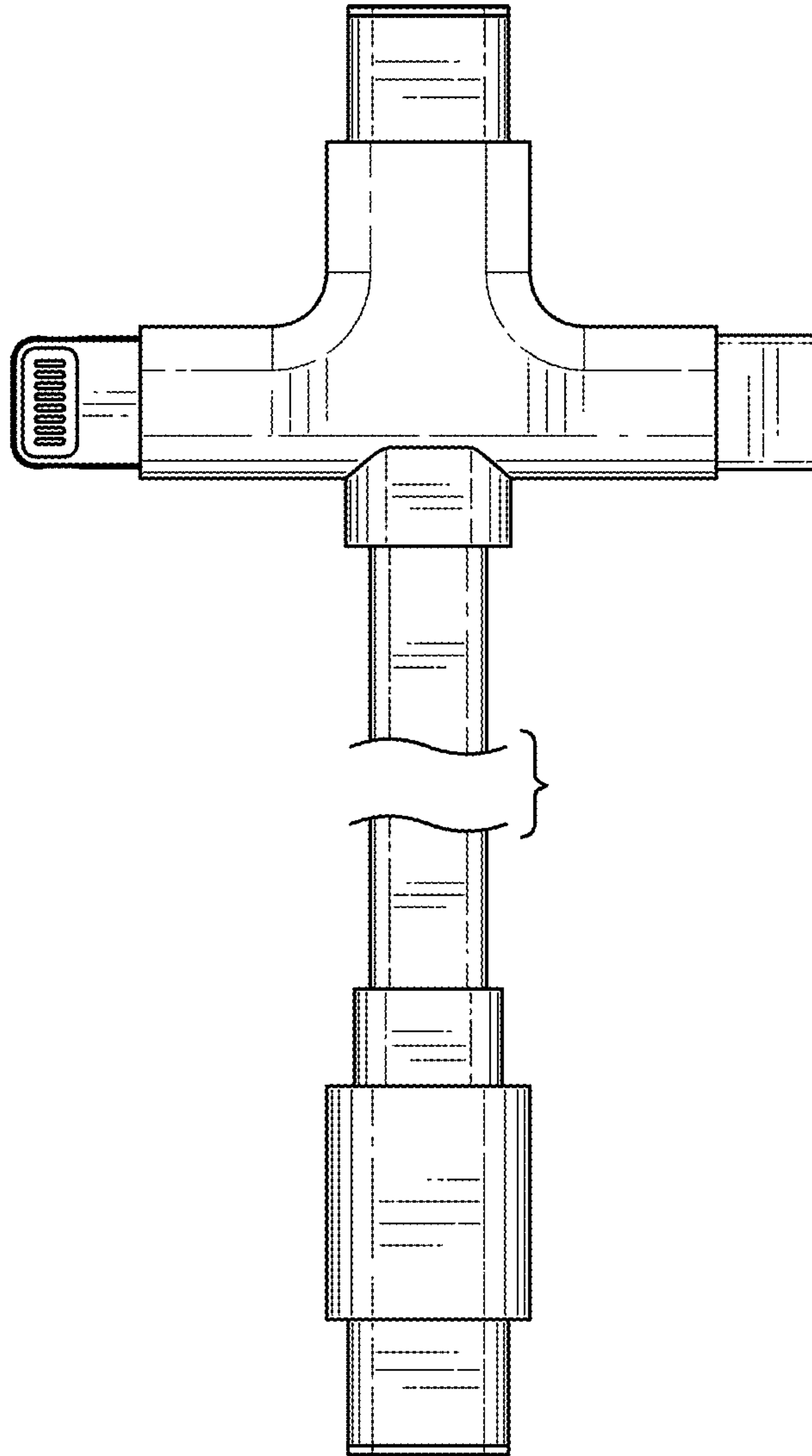


FIG. 10

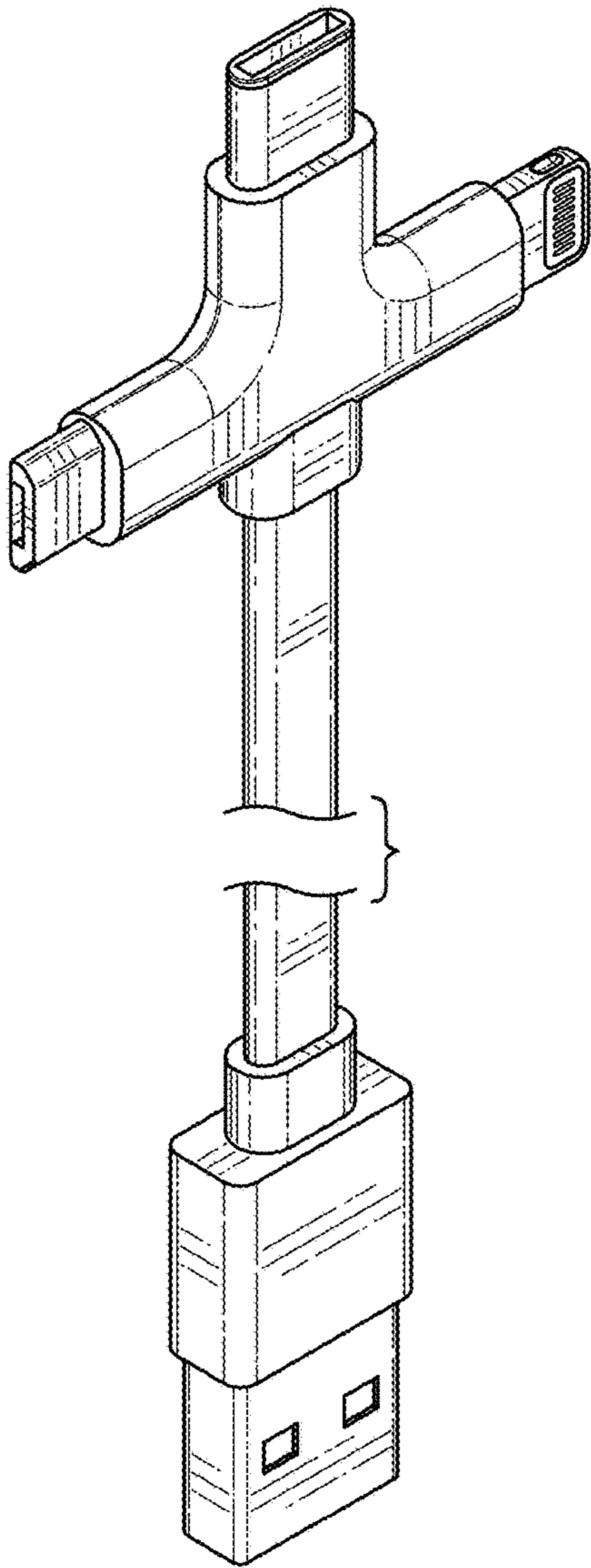


FIG. 11

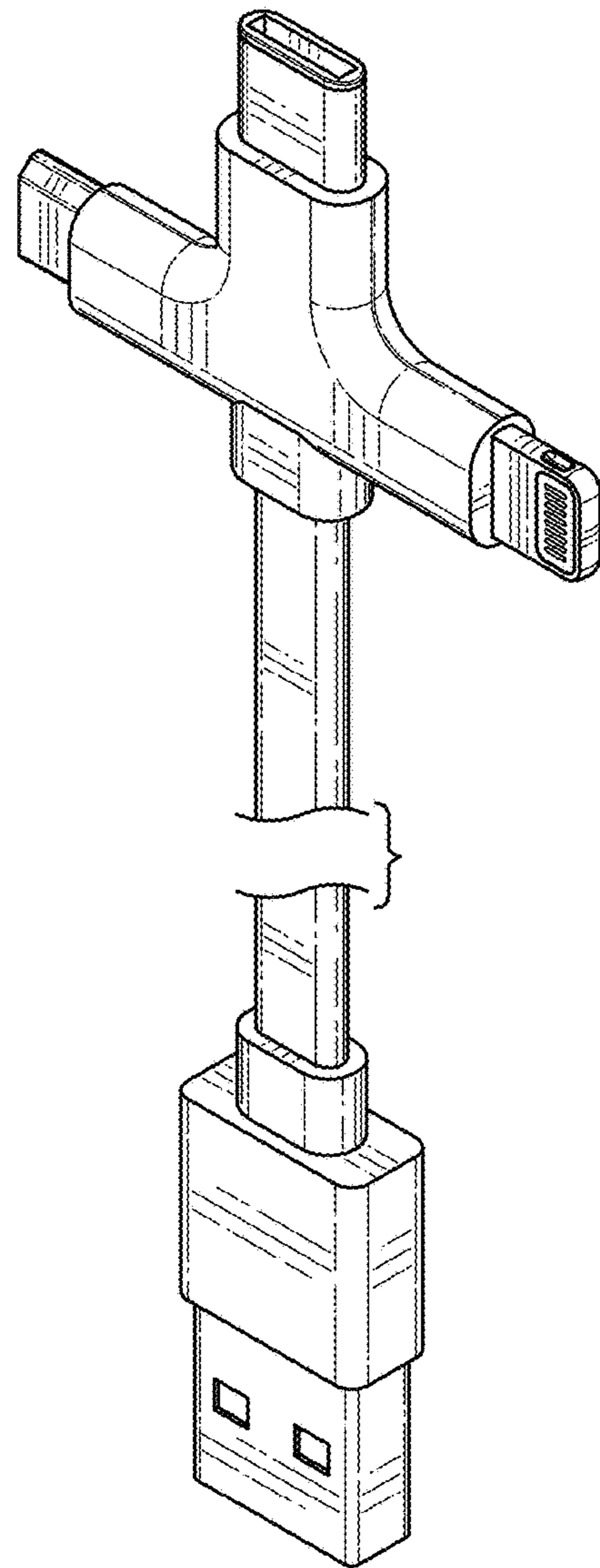


FIG. 12

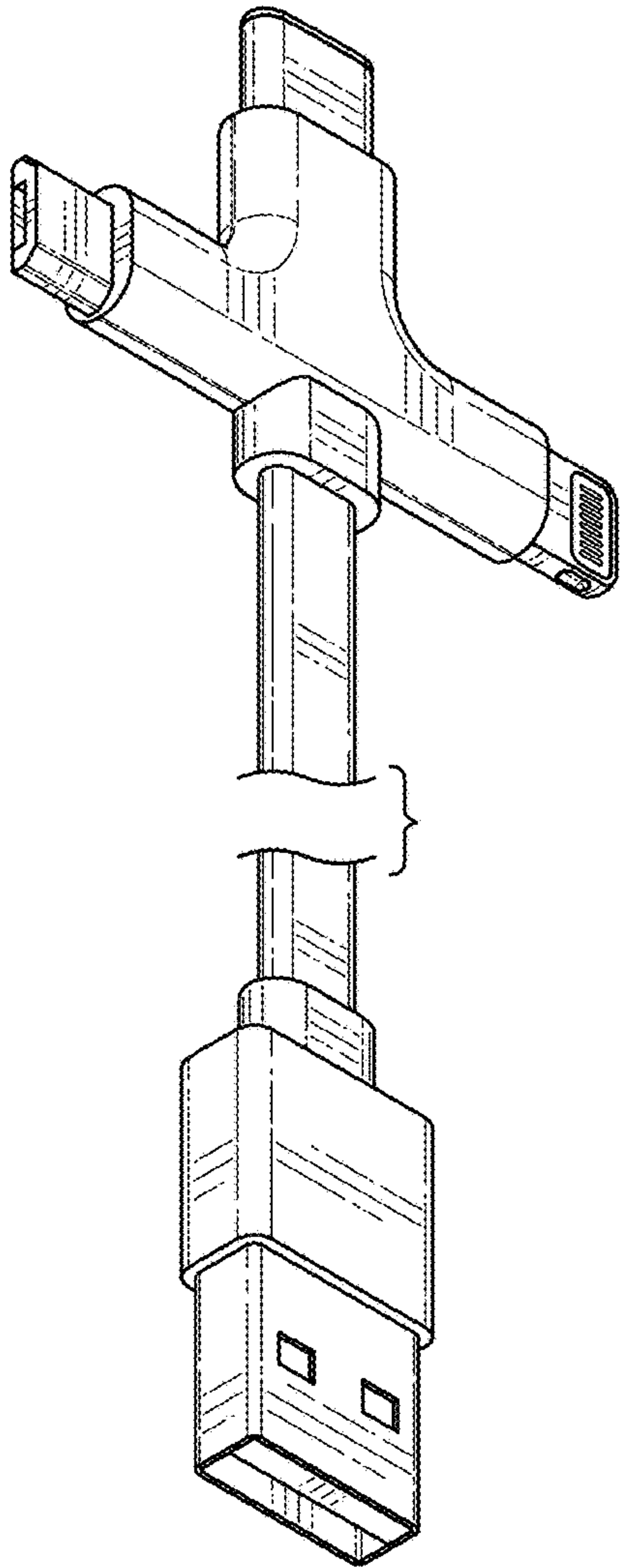


FIG. 13

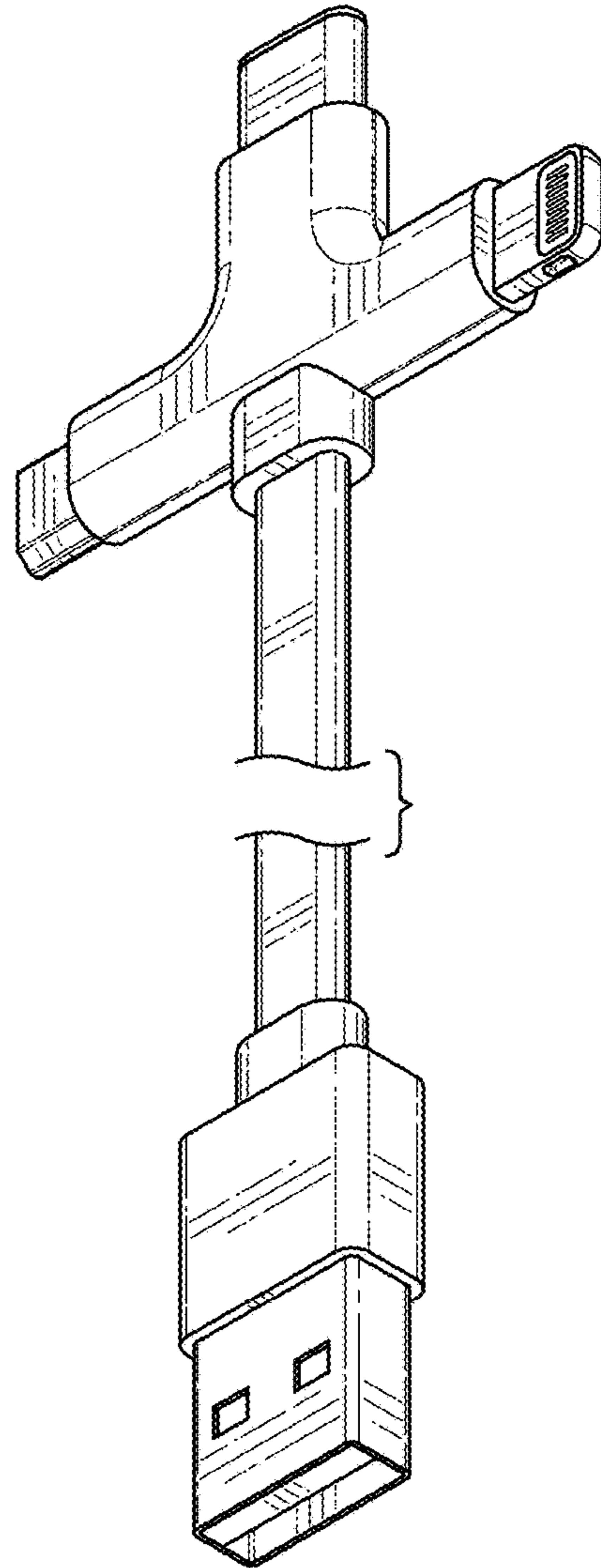


FIG. 14

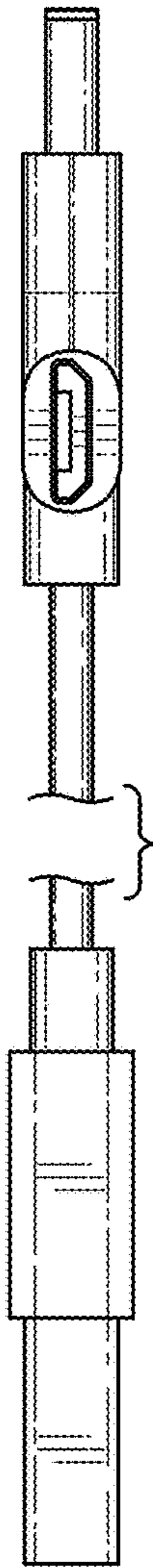


FIG. 15

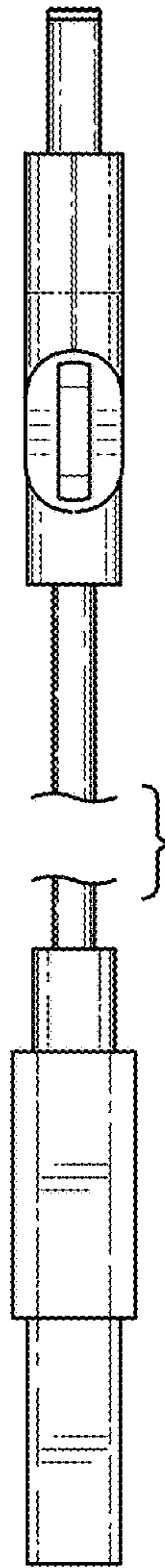


FIG. 16

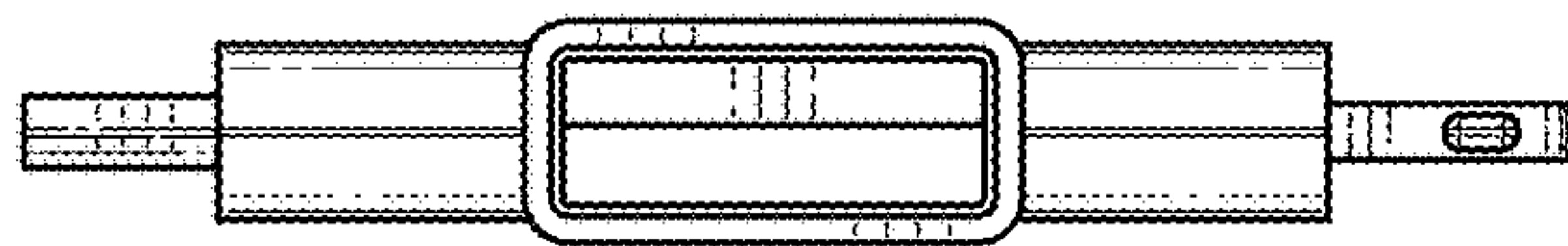


FIG. 17

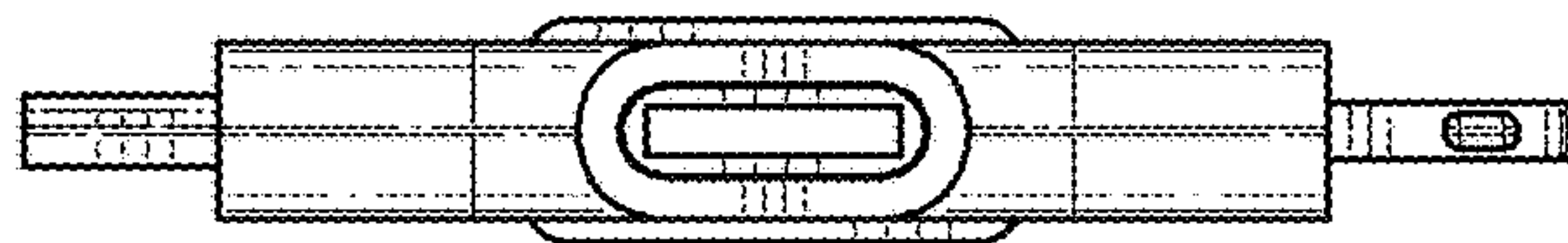


FIG. 18

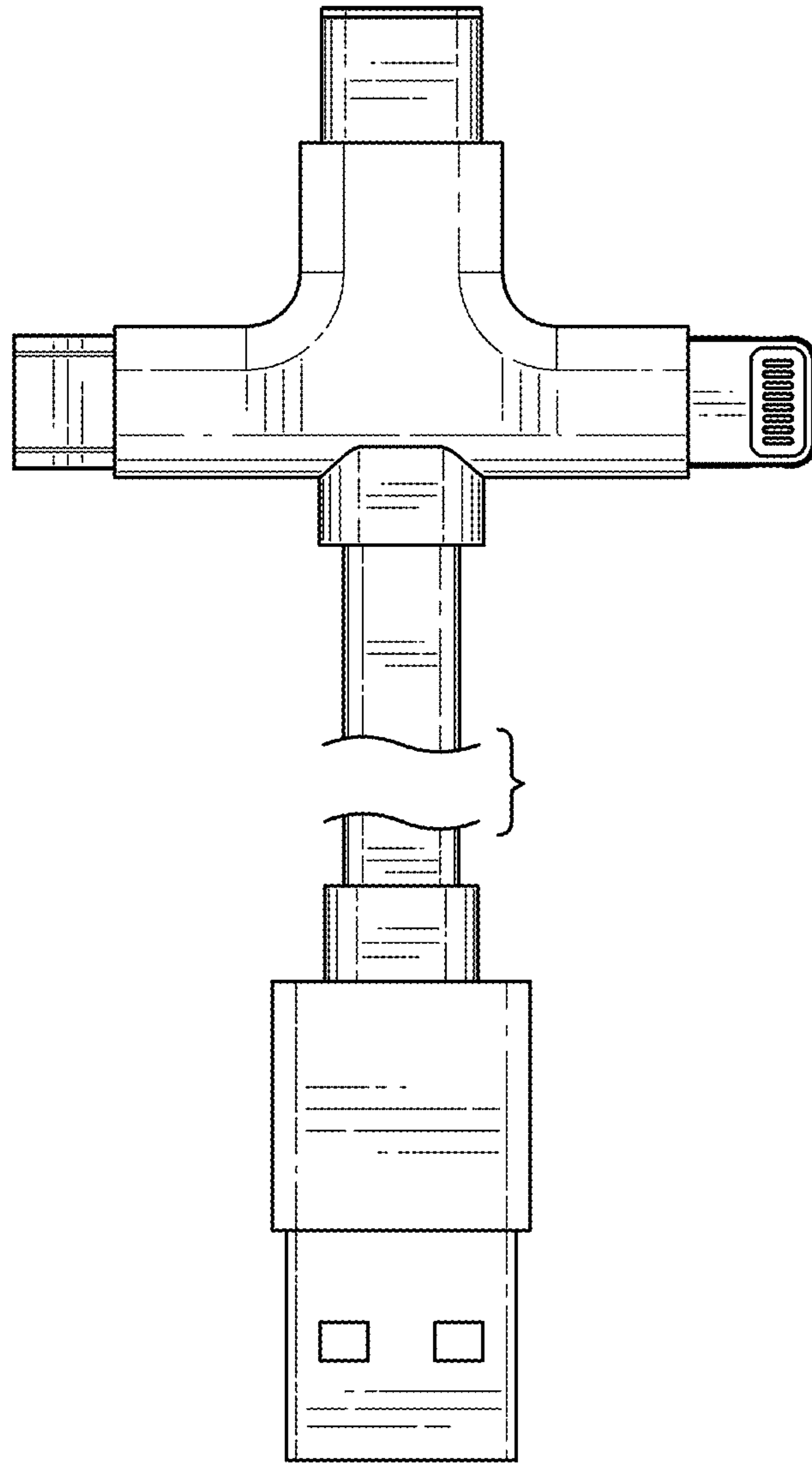


FIG. 19

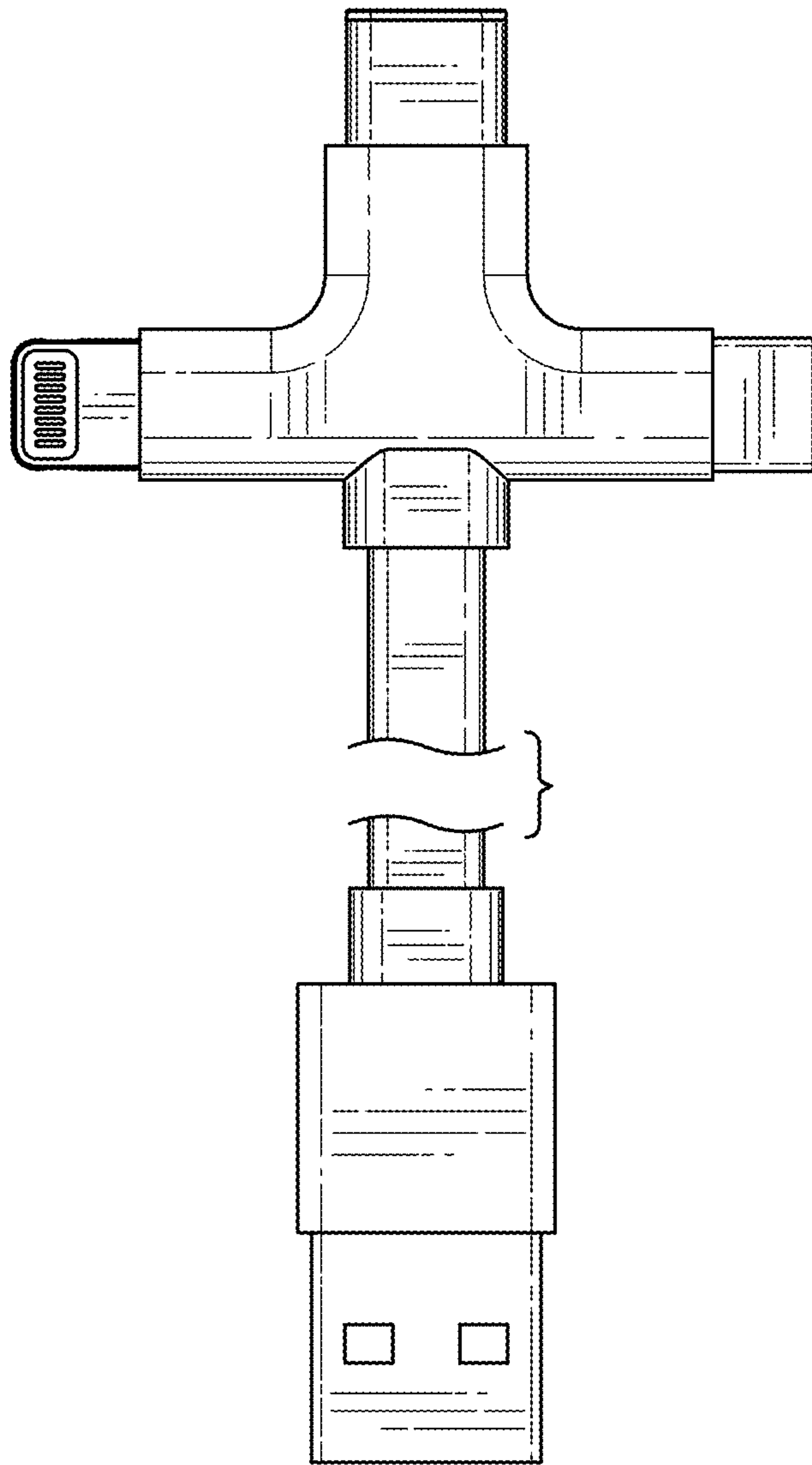


FIG. 20