



US00D783539S

(12) **United States Design Patent**
Yokoyama

(10) **Patent No.:** **US D783,539 S**
(45) **Date of Patent:** **** Apr. 11, 2017**

(54) **ELECTRICAL CONNECTOR**

(71) Applicant: **Japan Aviation Electronics Industry, Limited**, Tokyo (JP)

(72) Inventor: **Yohei Yokoyama**, Tokyo (JP)

(73) Assignee: **JAPAN AVIATION ELECTRONICS INDUSTRY, LIMITED**, Tokyo (JP)

(**) Term: **15 Years**

(21) Appl. No.: **29/541,704**

(22) Filed: **Oct. 7, 2015**

(30) **Foreign Application Priority Data**

Apr. 15, 2015 (JP) 2015-008539
Jun. 12, 2015 (JP) 2015-013060

(51) **LOC (10) Cl.** **13-03**

(52) **U.S. Cl.**
USPC **D13/147**

(58) **Field of Classification Search**
USPC D13/133, 146, 147, 154, 184, 199;
D14/432, 433, 435.1
CPC H01R 24/60; H01R 24/70; H01R 13/5205;
H01R 13/5219; H01R 13/642; H01R
13/6471; H01R 13/6581; H01R 13/6582;
H01R 13/6285; H01R 13/6591; H01R
13/6596

See application file for complete search history.

(56) **References Cited**

U.S. PATENT DOCUMENTS

D584,232 S * 1/2009 Su D13/147
D737,721 S * 9/2015 Janse D11/156

D744,430 S * 12/2015 Yokoyama D13/147
2015/0200504 A1 * 7/2015 Little H01R 24/60
439/345
2016/0043511 A1 * 2/2016 Hsu H01R 13/6585
439/607.05

* cited by examiner

Primary Examiner — Daniel Bui

(74) *Attorney, Agent, or Firm* — Manabu Kanosaka

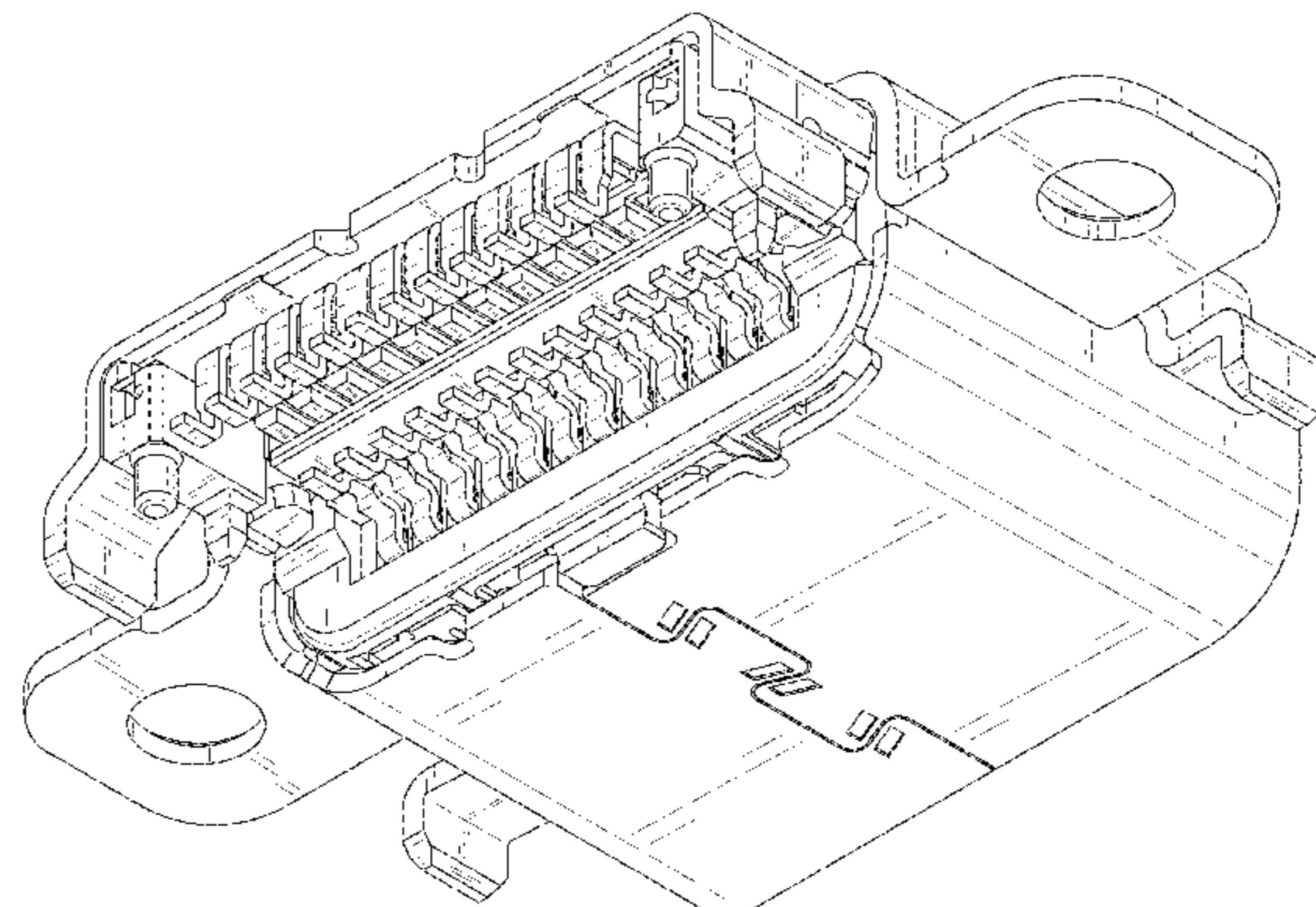
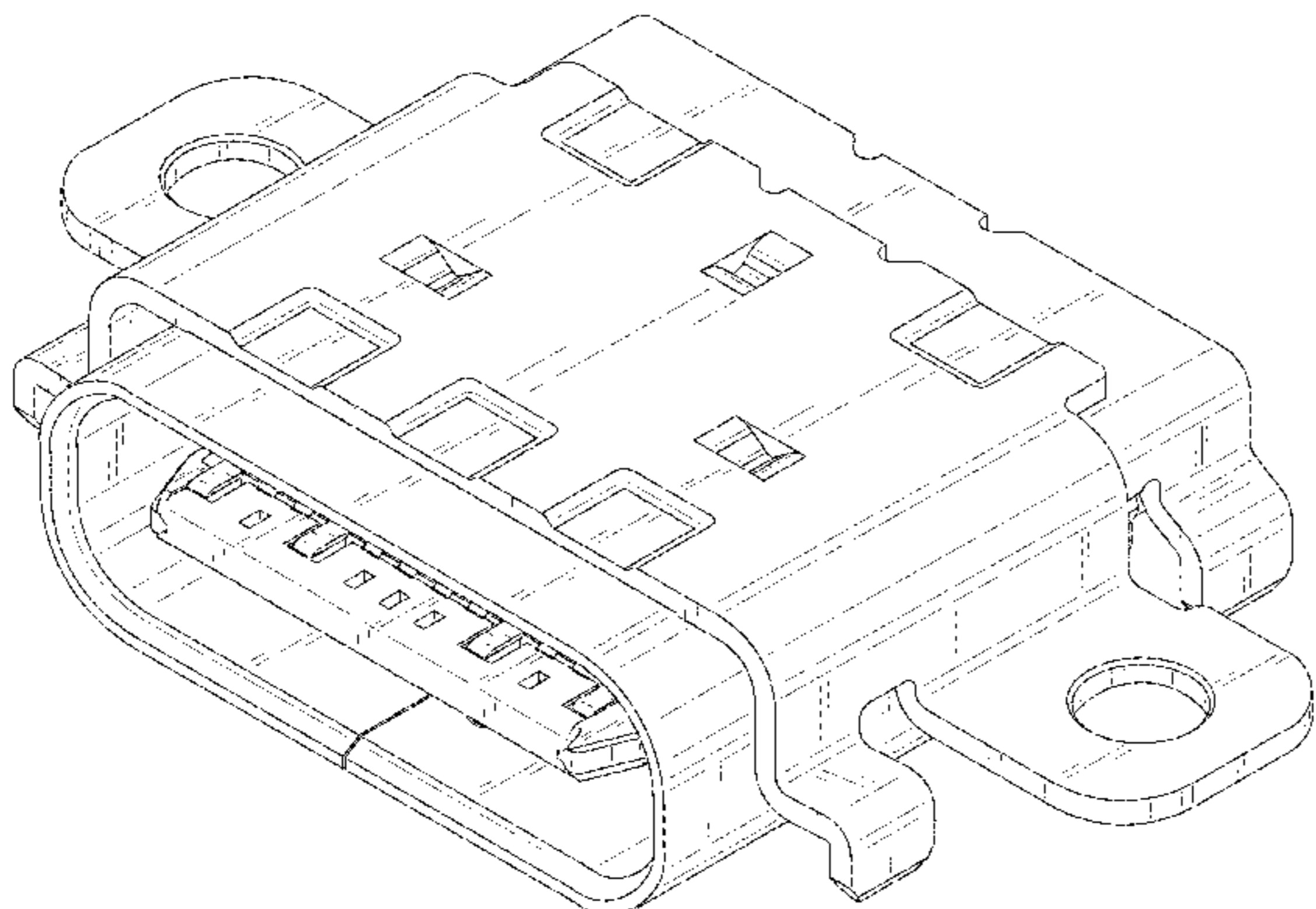
(57) **CLAIM**

The ornamental design for an electrical connector, as shown and described.

DESCRIPTION

FIG. 1 is a front elevational view of an electrical connector showing my new design;
FIG. 2 is a rear elevational view thereof;
FIG. 3 is a right side elevational view thereof;
FIG. 4 is a left side elevational view thereof;
FIG. 5 is a top plan view thereof;
FIG. 6 is a bottom plan view thereof;
FIG. 7 is a perspective view showing a front, top and right side thereof;
FIG. 8 is a perspective view showing a rear, bottom and left side thereof;
FIG. 9 is a perspective view showing a front, right side and bottom thereof; and,
FIG. 10 is a perspective view showing a rear, left side and top thereof.
The broken lines are shown for environmental purposes only and depict portions of the electrical connector that form no part of claimed design.

1 Claim, 10 Drawing Sheets



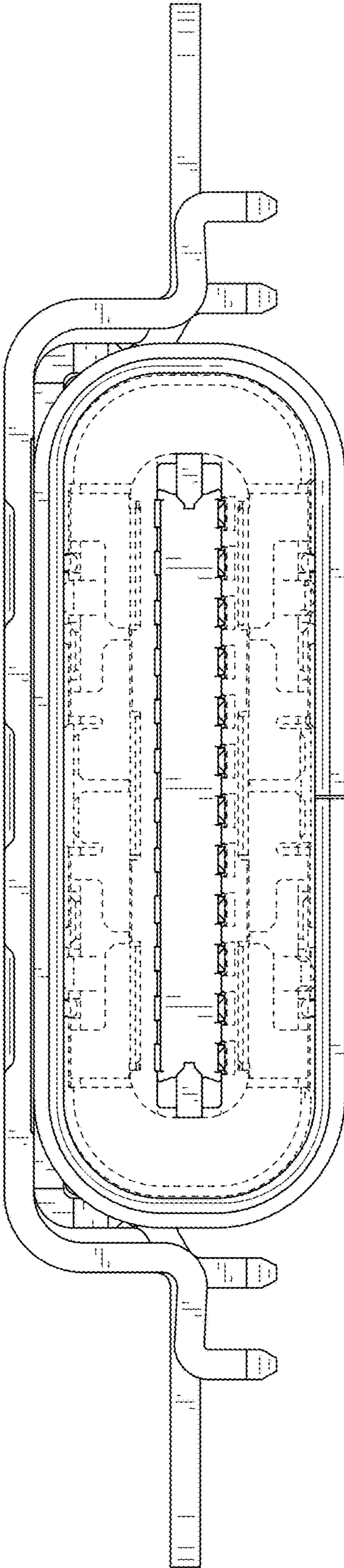


FIG. 1

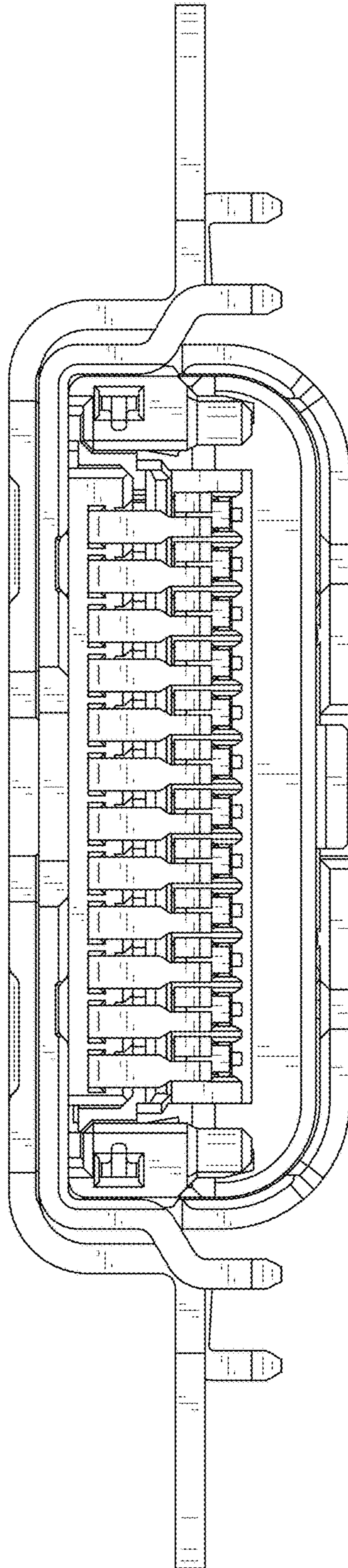


FIG. 2

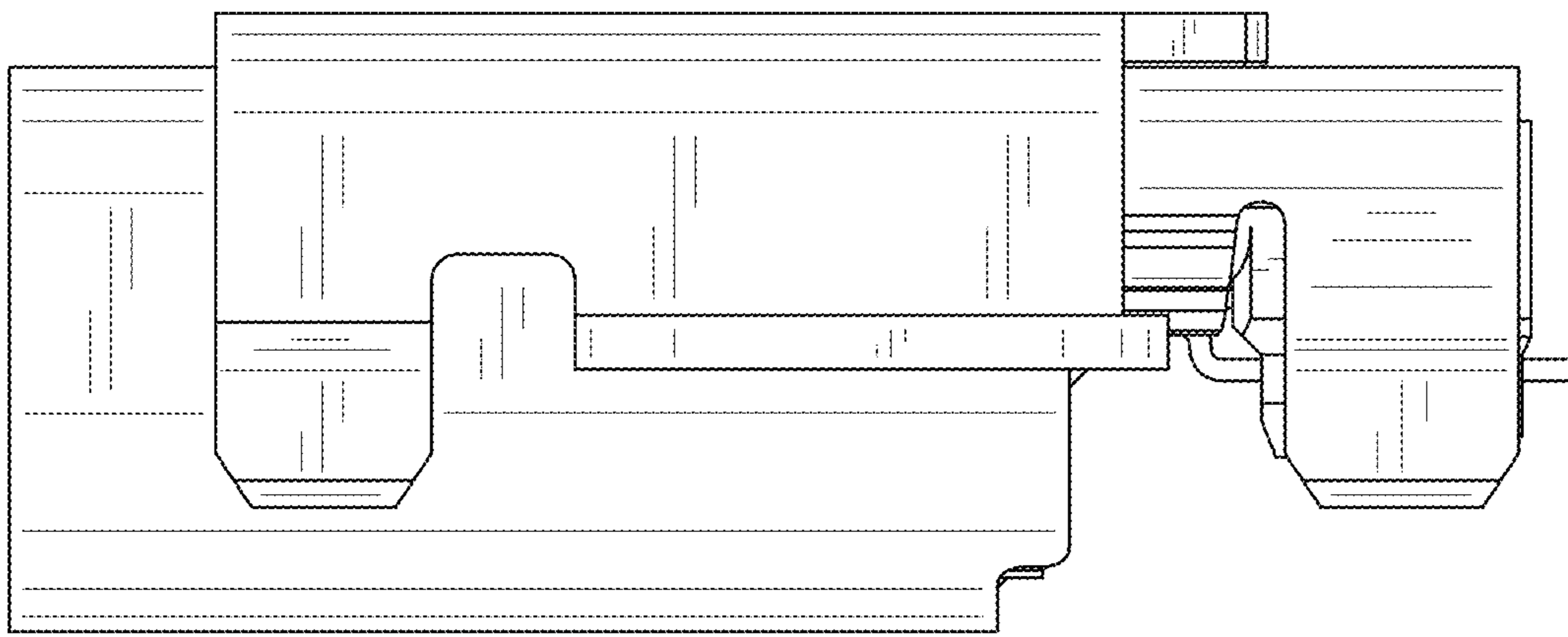


FIG. 3

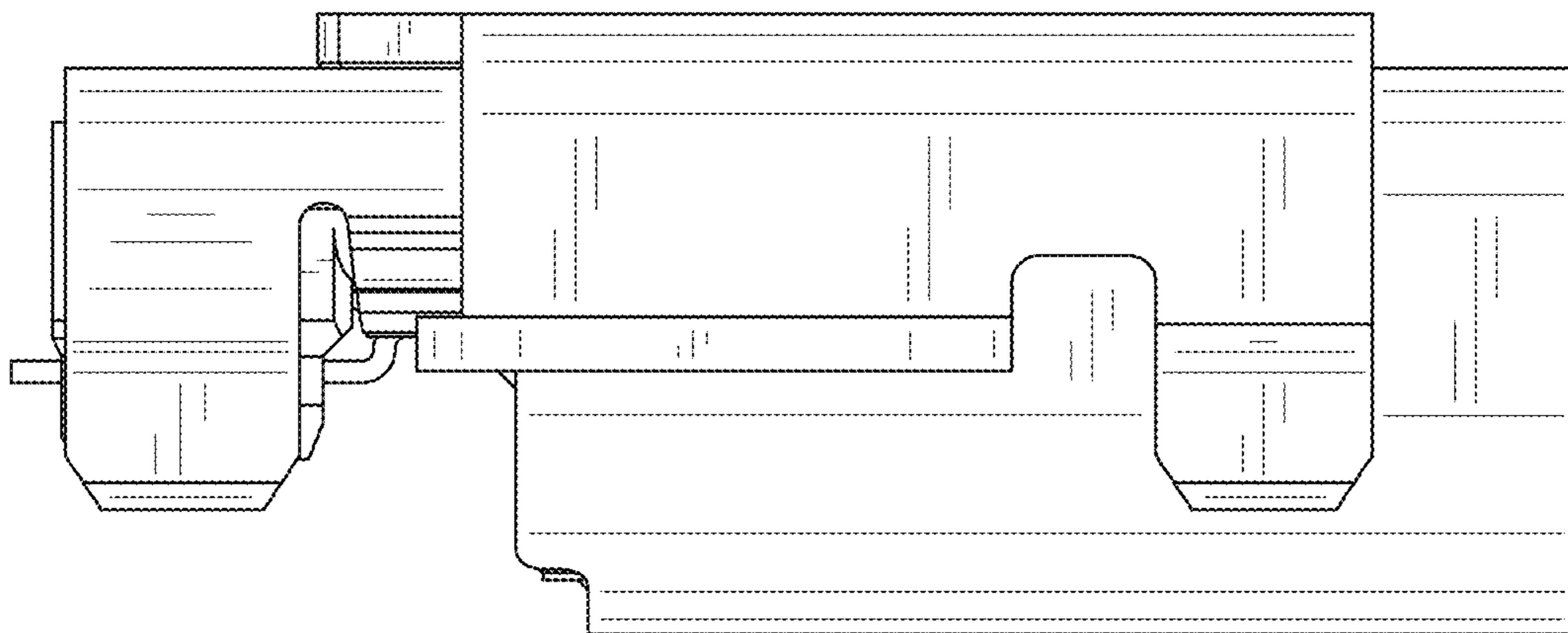


FIG. 4

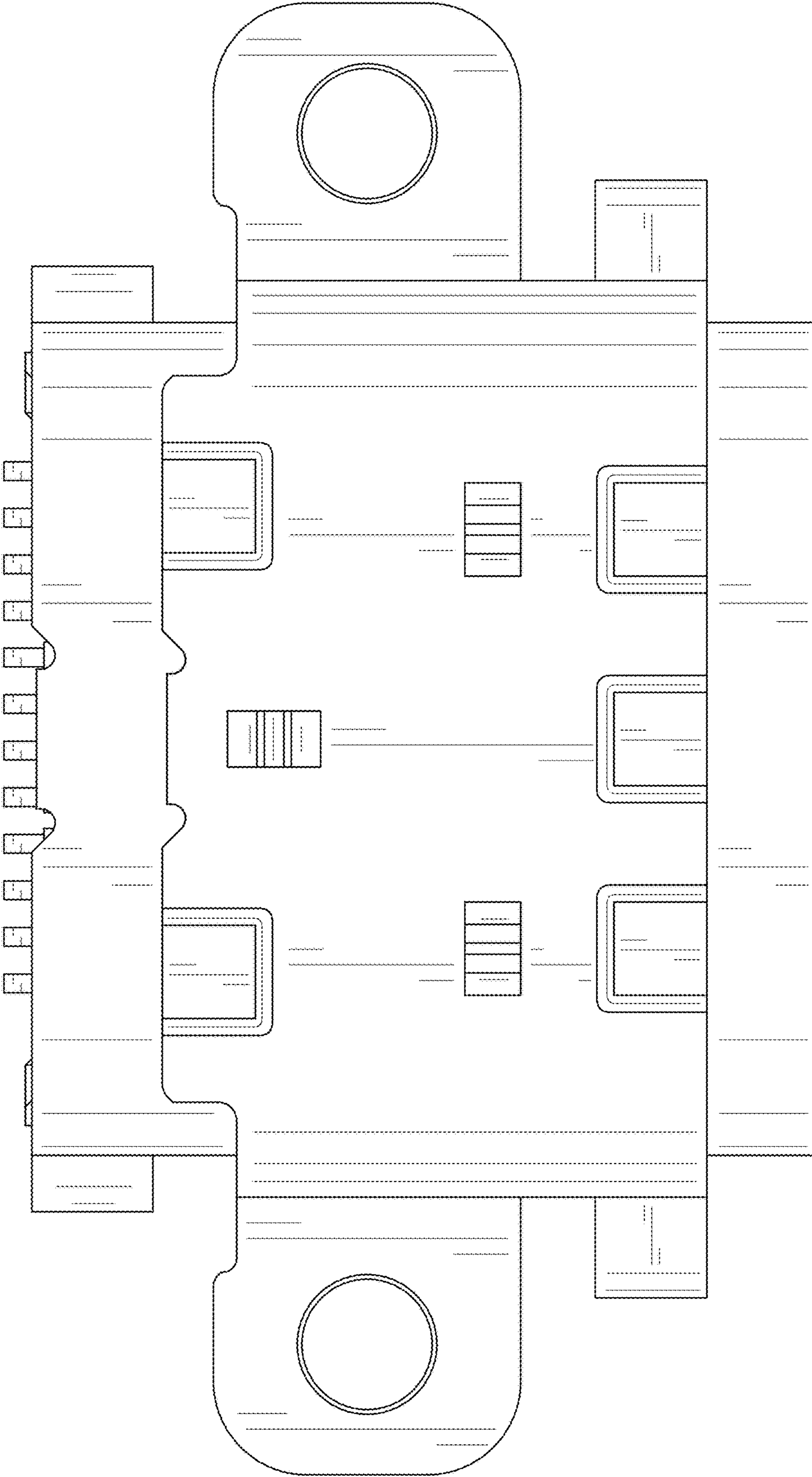


FIG. 5

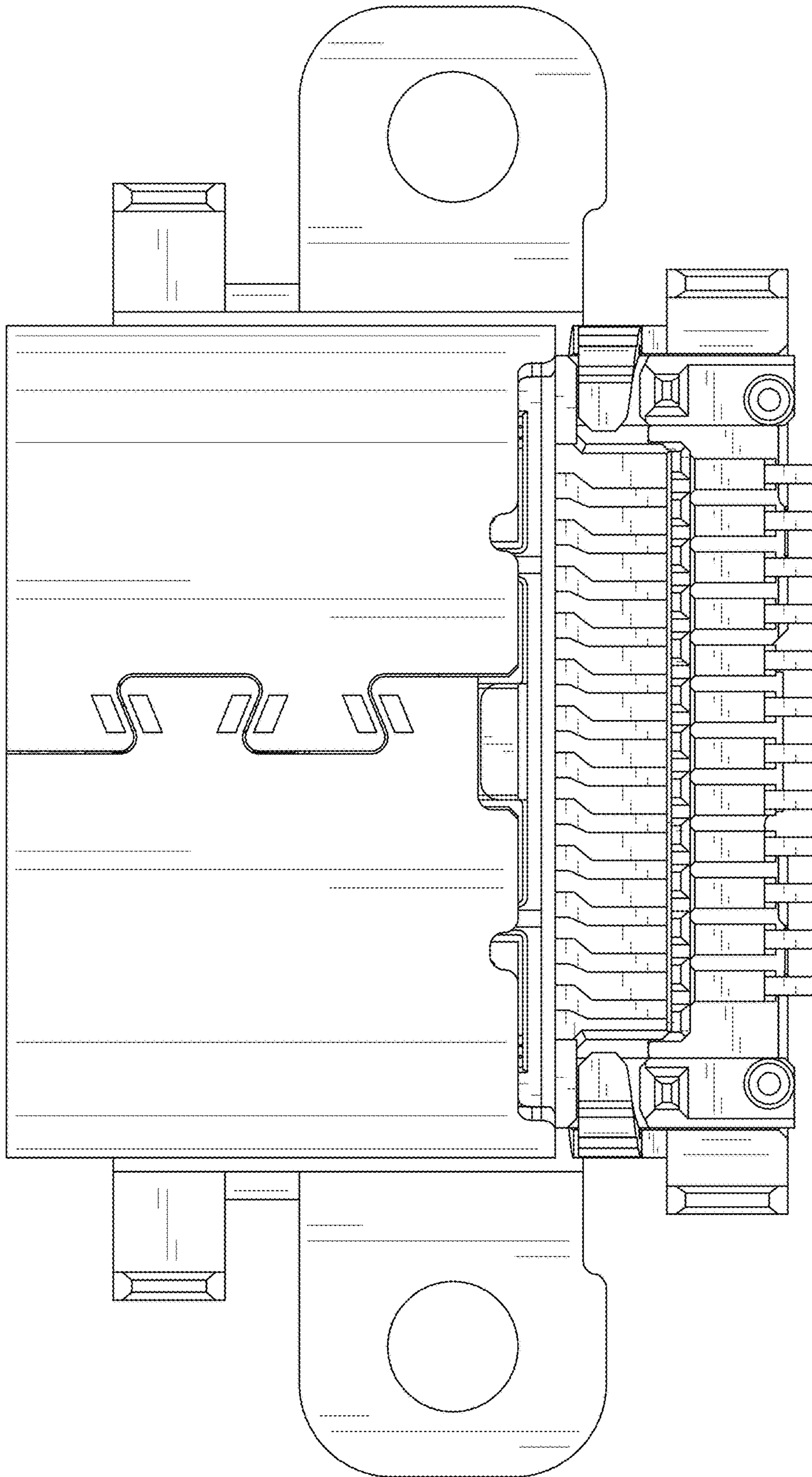


FIG. 6

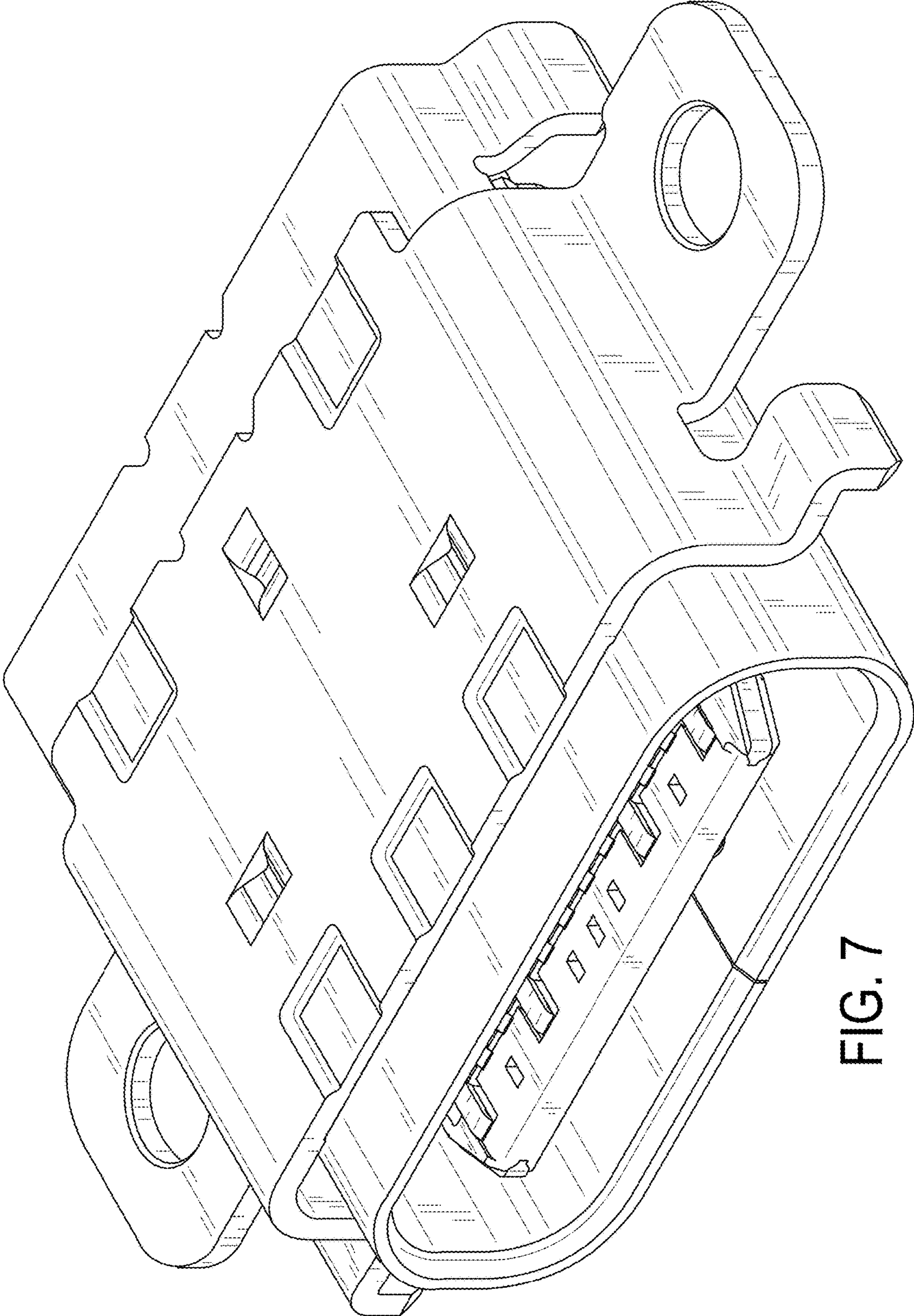


FIG. 7

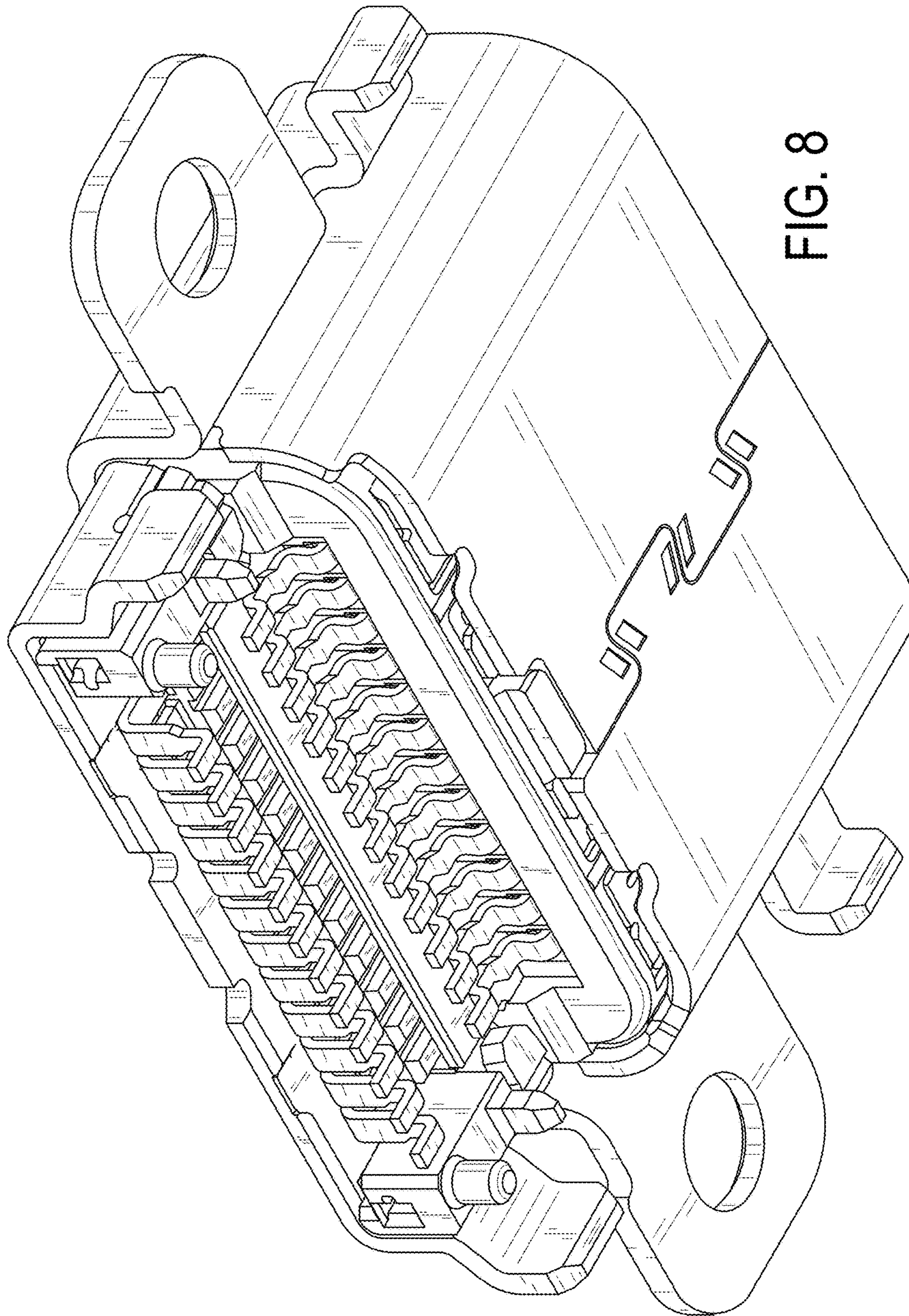


FIG. 8

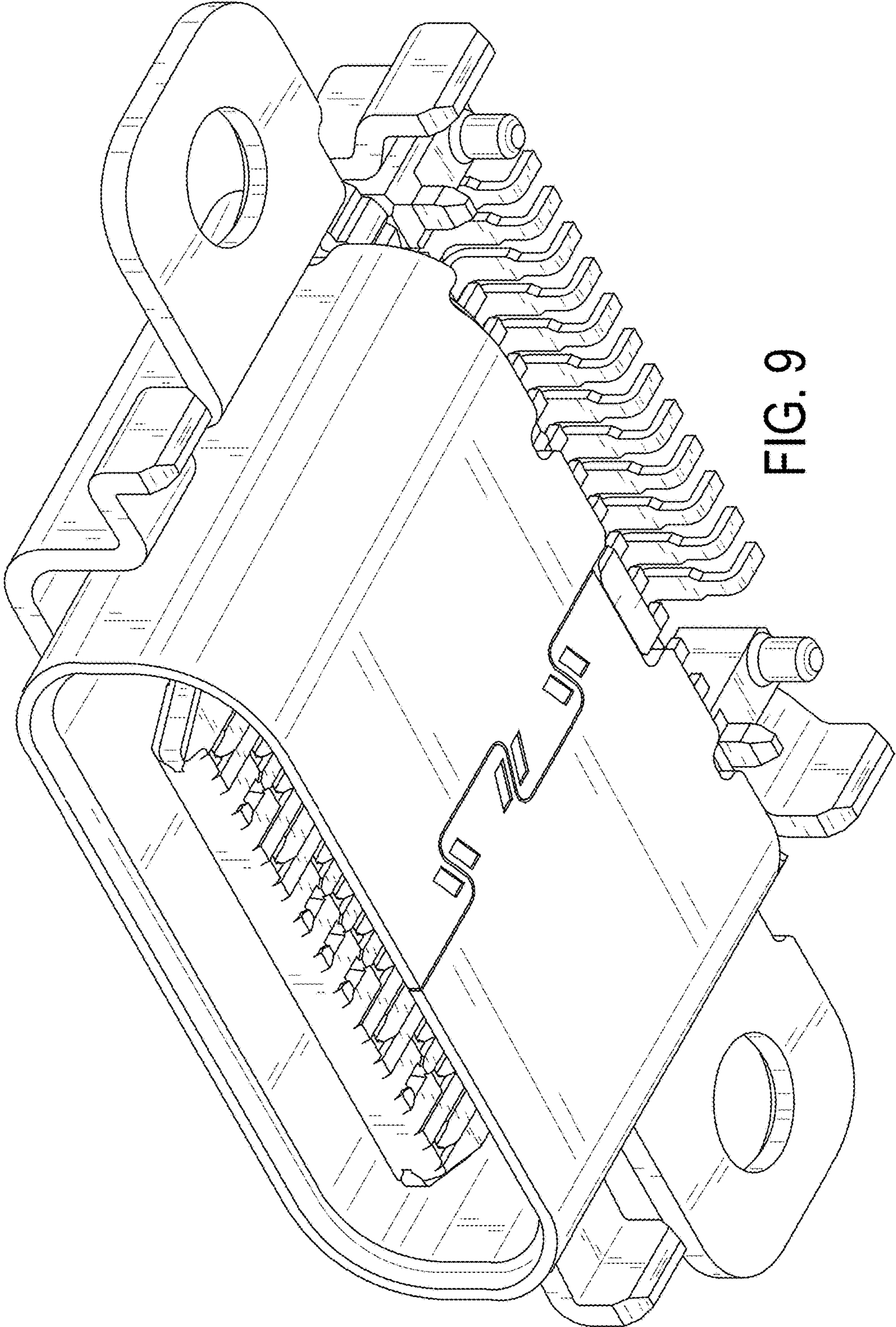


FIG. 9

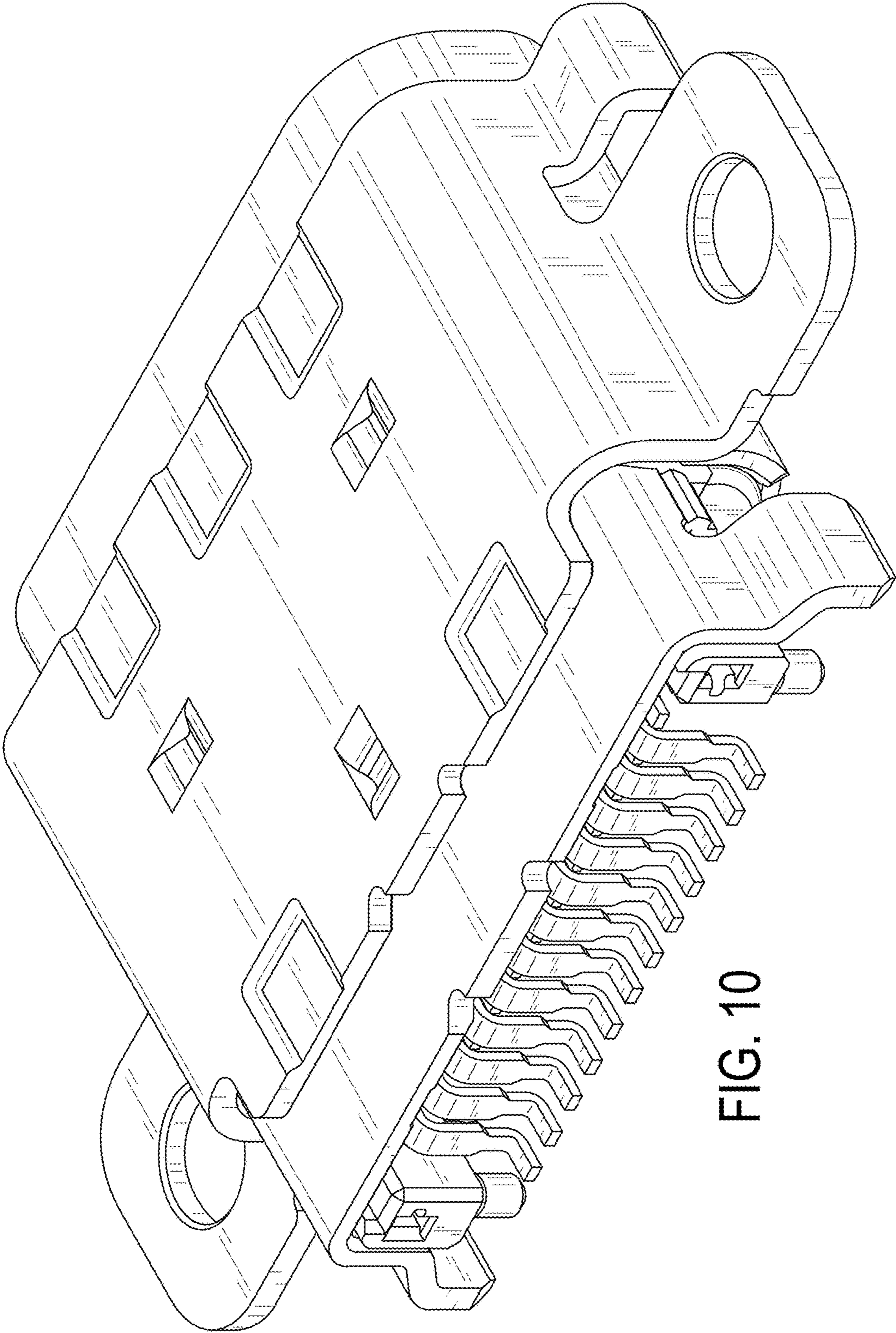


FIG. 10