



US00D783538S

(12) **United States Design Patent**
Thomsen

(10) **Patent No.:** **US D783,538 S**

(45) **Date of Patent:** **** Apr. 11, 2017**

(54) **ELECTRICAL PLUG**

(71) Applicant: **LINAK A/S**, Nordborg (DK)

(72) Inventor: **Henrik Agerly Thomsen**, Broager (DK)

(73) Assignee: **Linak A/S**, Nordborg (DK)

(**) Term: **14 Years**

(21) Appl. No.: **29/526,499**

(22) Filed: **May 11, 2015**

(30) **Foreign Application Priority Data**

Nov. 12, 2014 (DK) 2014 00109

(51) **LOC (10) Cl.** **13-03**

(52) **U.S. Cl.**
USPC **D13/147**

(58) **Field of Classification Search**
USPC D13/110, 123, 133, 146, 147, 154, 184,
D13/199; D14/432, 433, 435, 435.1, 436,
D14/437, 438

CPC H01R 25/00; H01R 25/003; H01R 25/006;
H01R 25/14; H01R 25/142; H01R
25/145; H01R 25/16; H01R 25/161;
H01R 25/162

See application file for complete search history.

(56) **References Cited**

U.S. PATENT DOCUMENTS

D381,329 S *	7/1997	Urlik	D14/483
D587,206 S *	2/2009	Wu	D13/133
D669,438 S *	10/2012	Li	D13/147
D733,656 S *	7/2015	Anderssen	D13/147

* cited by examiner

Primary Examiner — Daniel Bui

(74) *Attorney, Agent, or Firm* — Dykema Gossett PLLC

(57) **CLAIM**

The ornamental design for an electrical plug, as shown and described.

DESCRIPTION

FIG. 1 is a top perspective view of an electrical plug showing my new design;

FIG. 2 is a bottom perspective view thereof;

FIG. 3 is a front elevation view thereof;

FIG. 4 is a left side elevation view thereof;

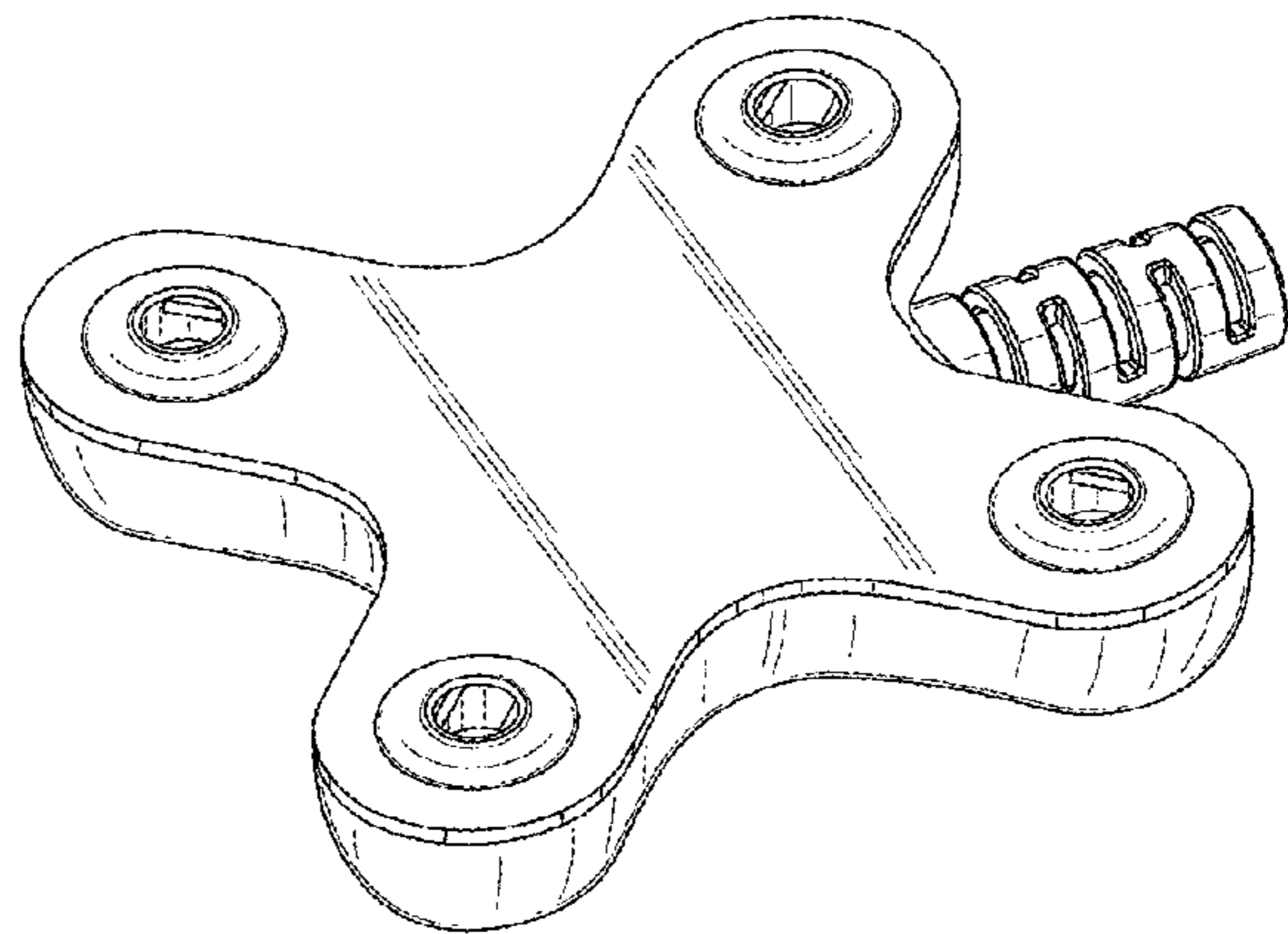
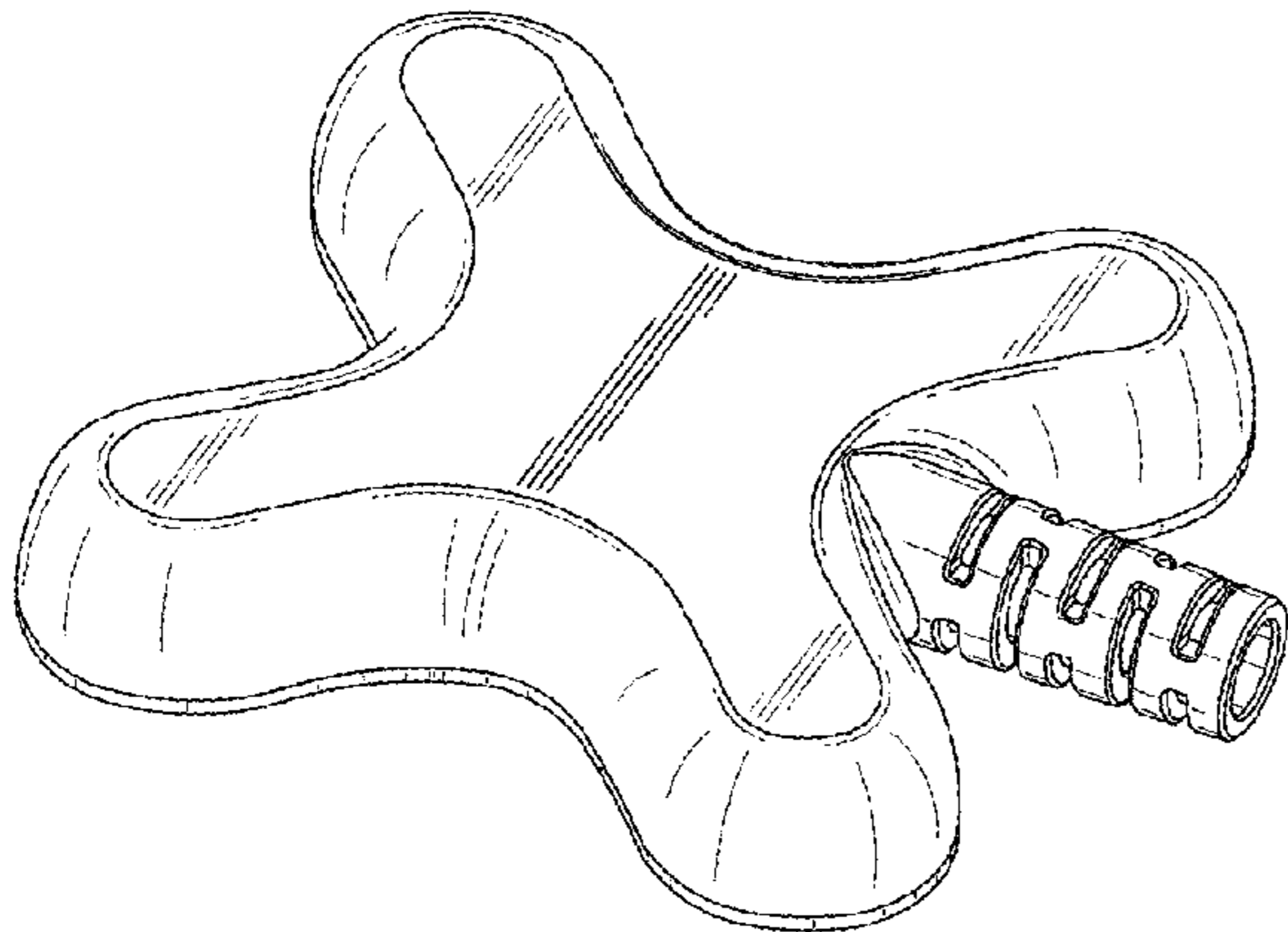
FIG. 5 is a bottom plan view thereof;

FIG. 6 is a right side elevation view thereof;

FIG. 7 is a rear elevation view thereof; and,

FIG. 8 is a top plan view thereof.

1 Claim, 2 Drawing Sheets



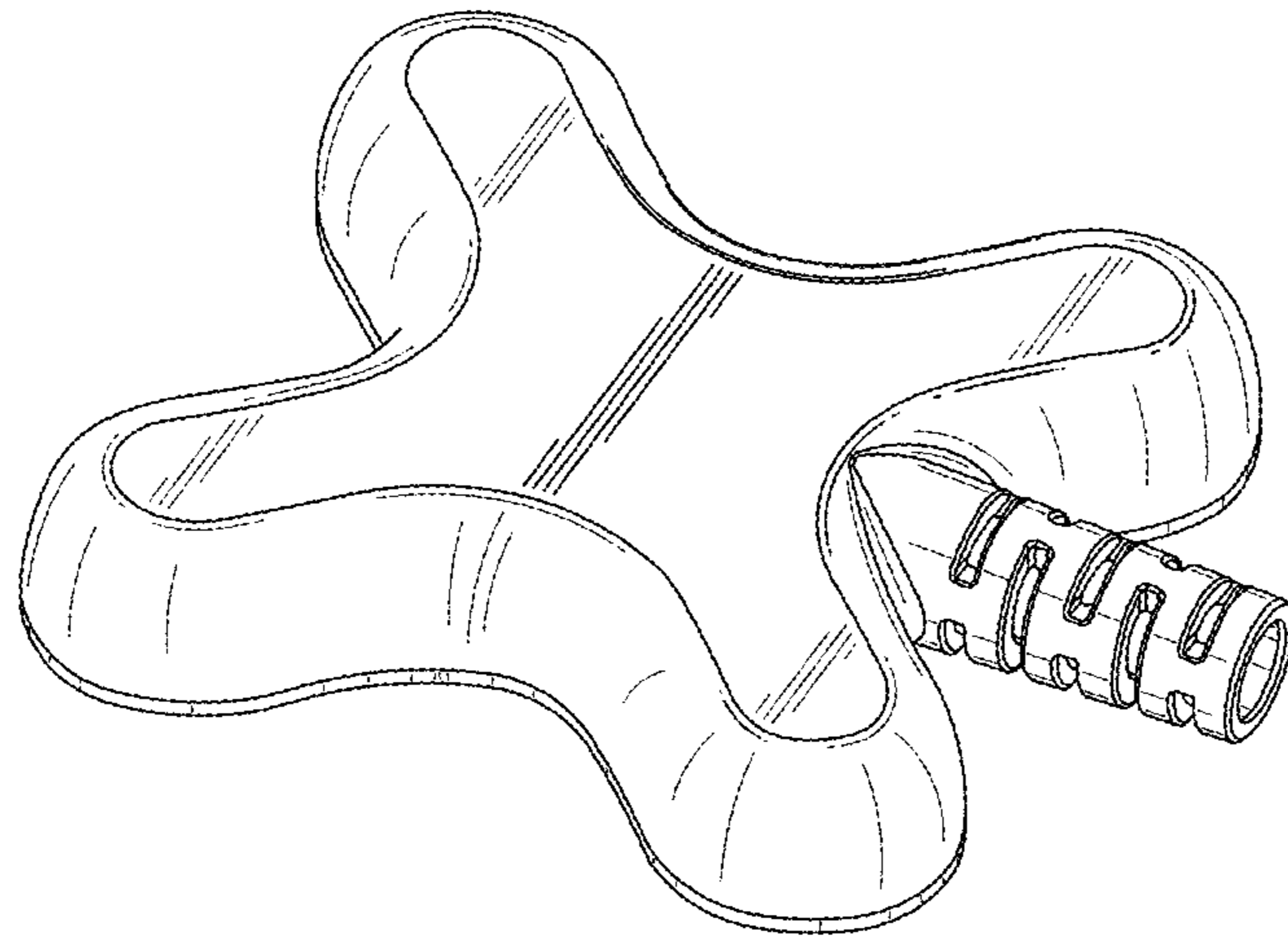


FIG. 1

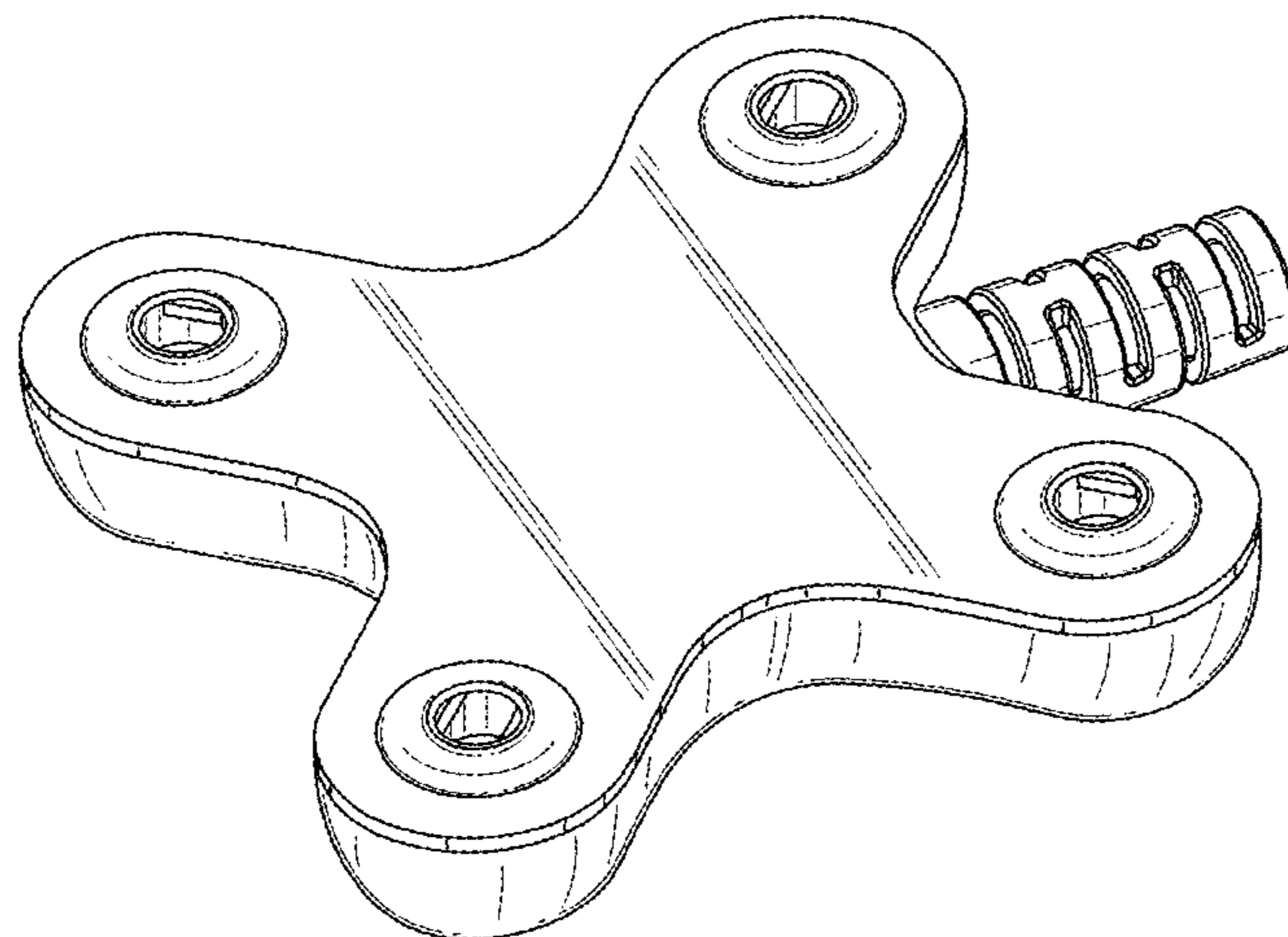


FIG. 2

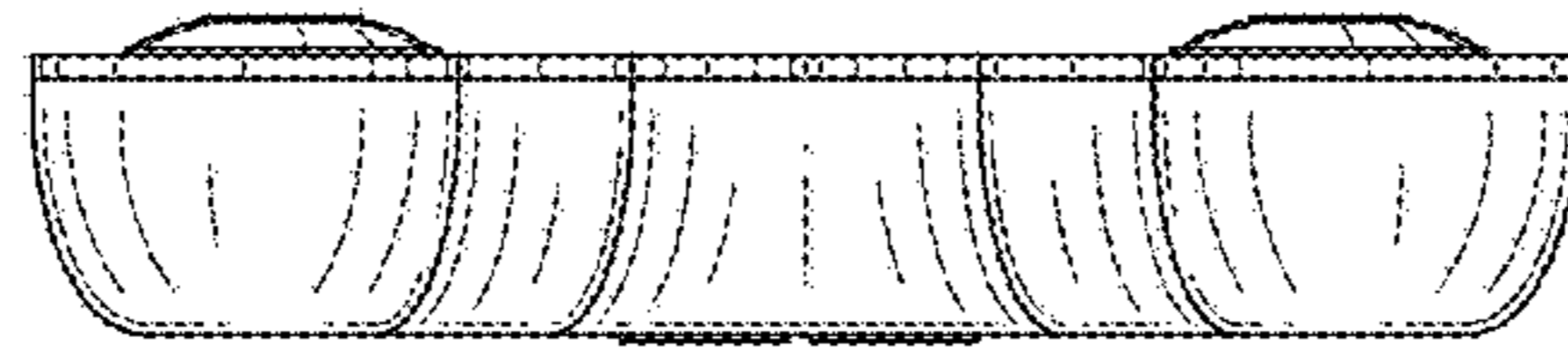


FIG. 3

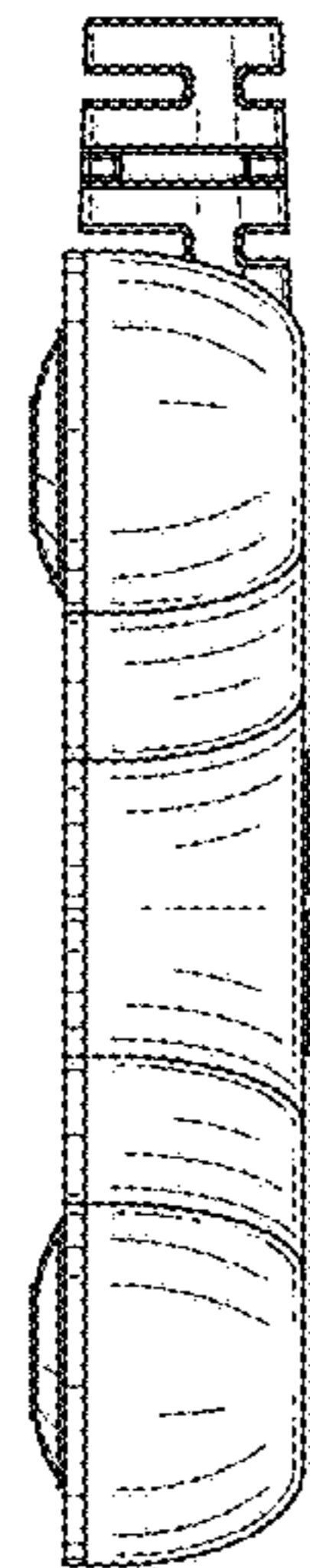


FIG. 4

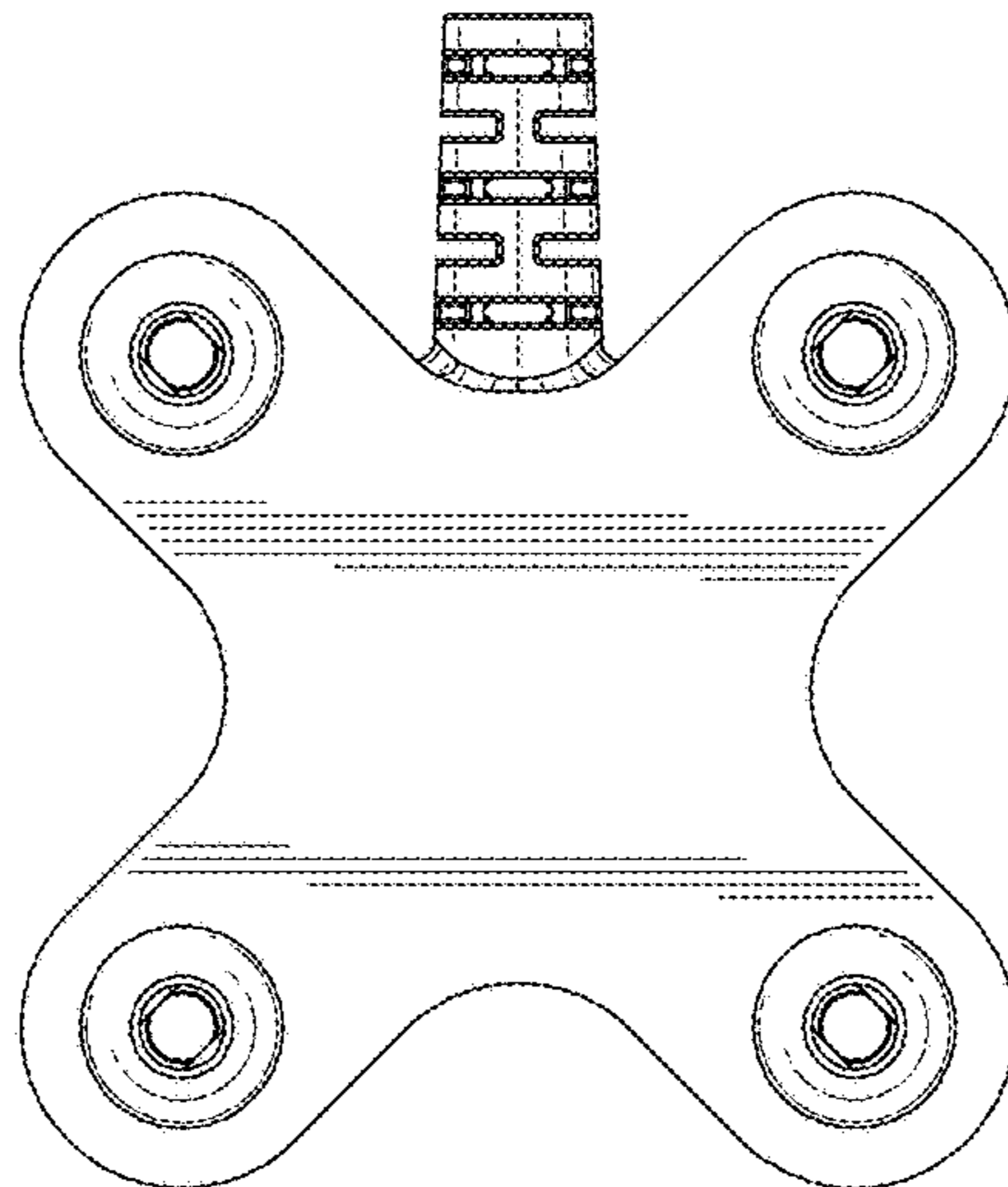


FIG. 5

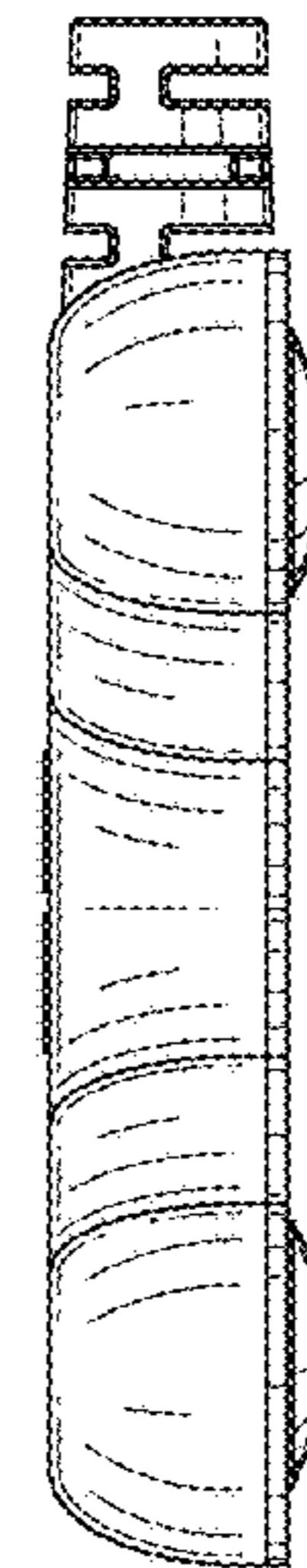


FIG. 6

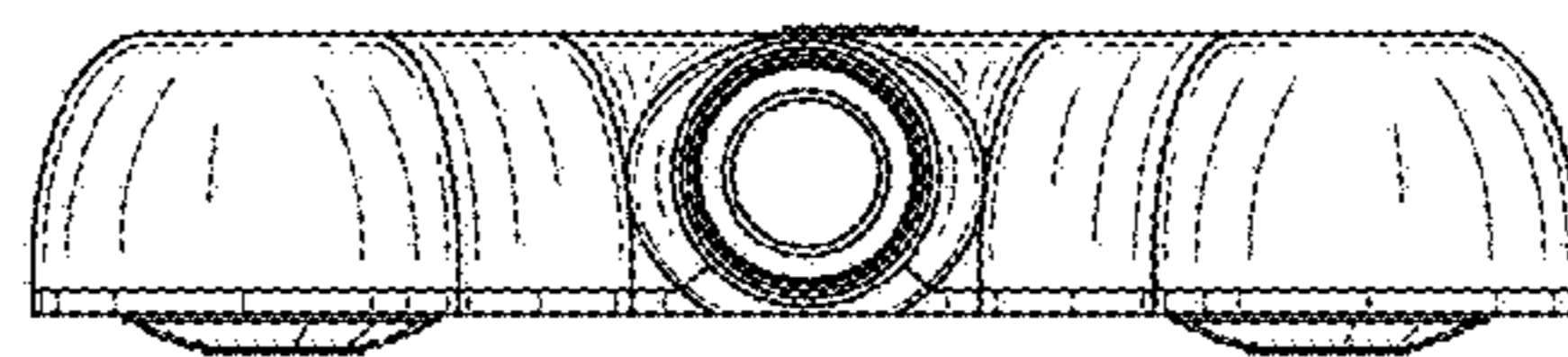


FIG. 7

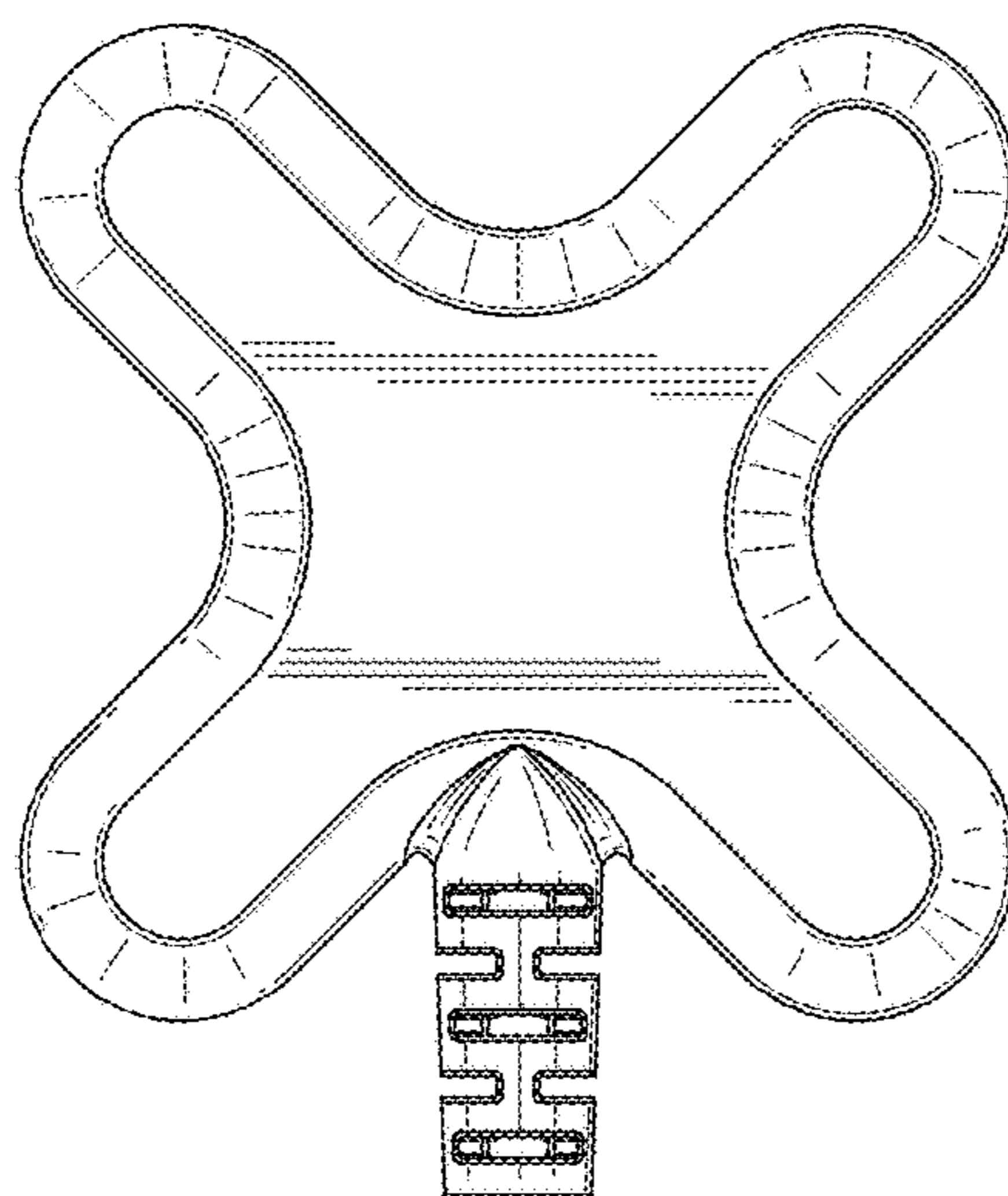


FIG. 8