



US00D783537S

(12) **United States Design Patent**
Skov

(10) **Patent No.:** **US D783,537 S**
(45) **Date of Patent:** **** Apr. 11, 2017**

- (54) **ELECTRICAL CONTROL BOX**
- (71) Applicant: **LINAK A/S**, Nordborg (DK)
- (72) Inventor: **Bjarne Skov**, Sønderborg (DK)
- (73) Assignee: **Linak A/S**, Nordborg (DK)
- (**) Term: **14 Years**
- (21) Appl. No.: **29/510,998**
- (22) Filed: **Dec. 5, 2014**
- (51) **LOC (10) Cl.** **13-03**
- (52) **U.S. Cl.**
USPC **D13/147**
- (58) **Field of Classification Search**
USPC D13/110, 146, 147, 154, 184, 199;
D15/143, 199
CPC H05K 1/16; H05K 5/0017; H05K 5/0082;
H05K 5/02; H05K 5/06
See application file for complete search history.

D572,281 S * 7/2008 Wei D15/143
D738,413 S * 9/2015 Randlov D15/143
D752,122 S * 3/2016 Randlov D15/143
2007/0297150 A1 * 12/2007 Jensen H05K 5/0021
361/736

OTHER PUBLICATIONS

Deskline® Control Box CBD6S, Linak.Com Website (Apr. 2018).

* cited by examiner

Primary Examiner — Daniel Bui

(74) *Attorney, Agent, or Firm* — Dykema Gossett PLLC

(57) **CLAIM**

The ornamental design for an electrical control box, as shown and described.

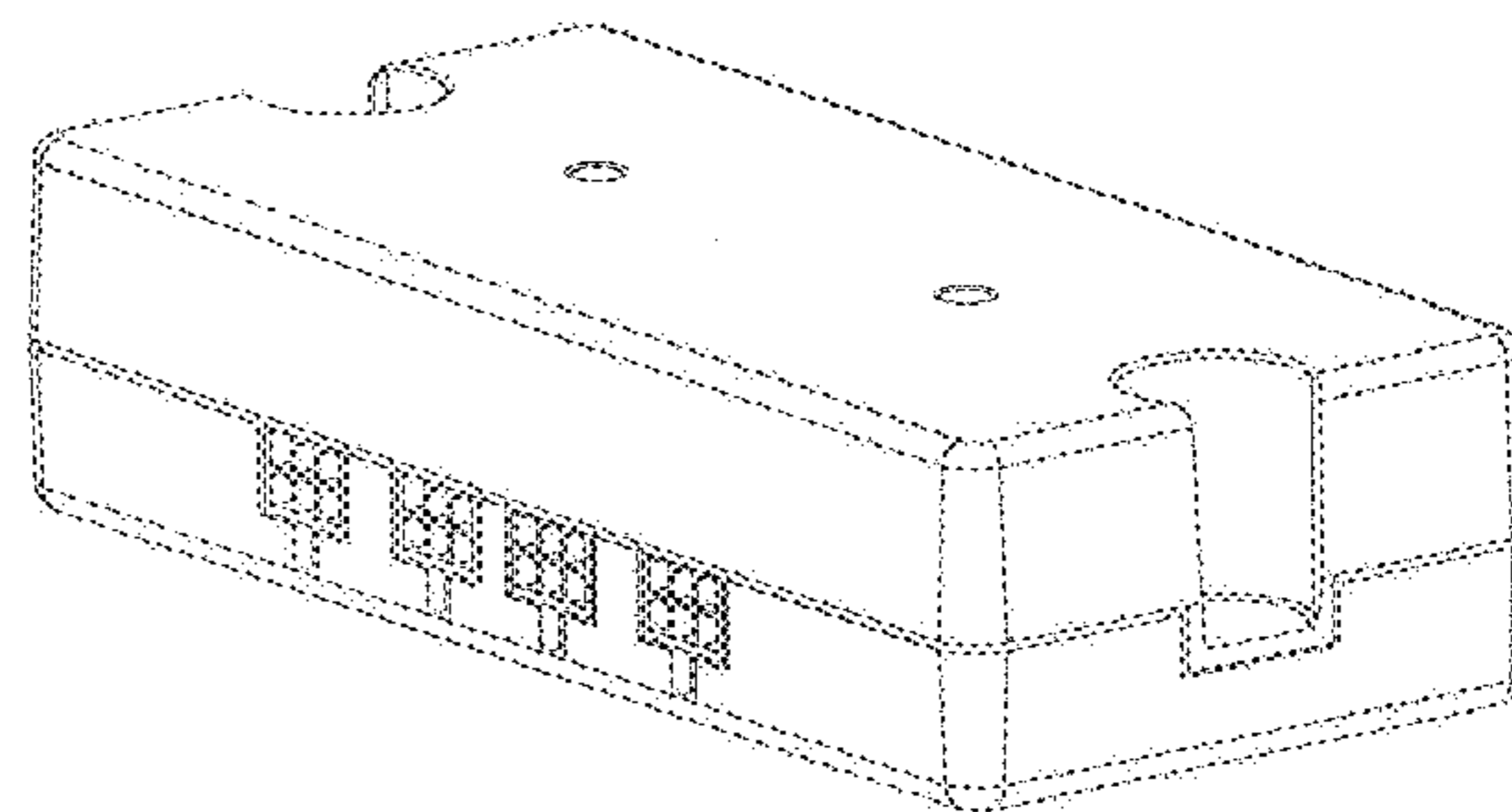
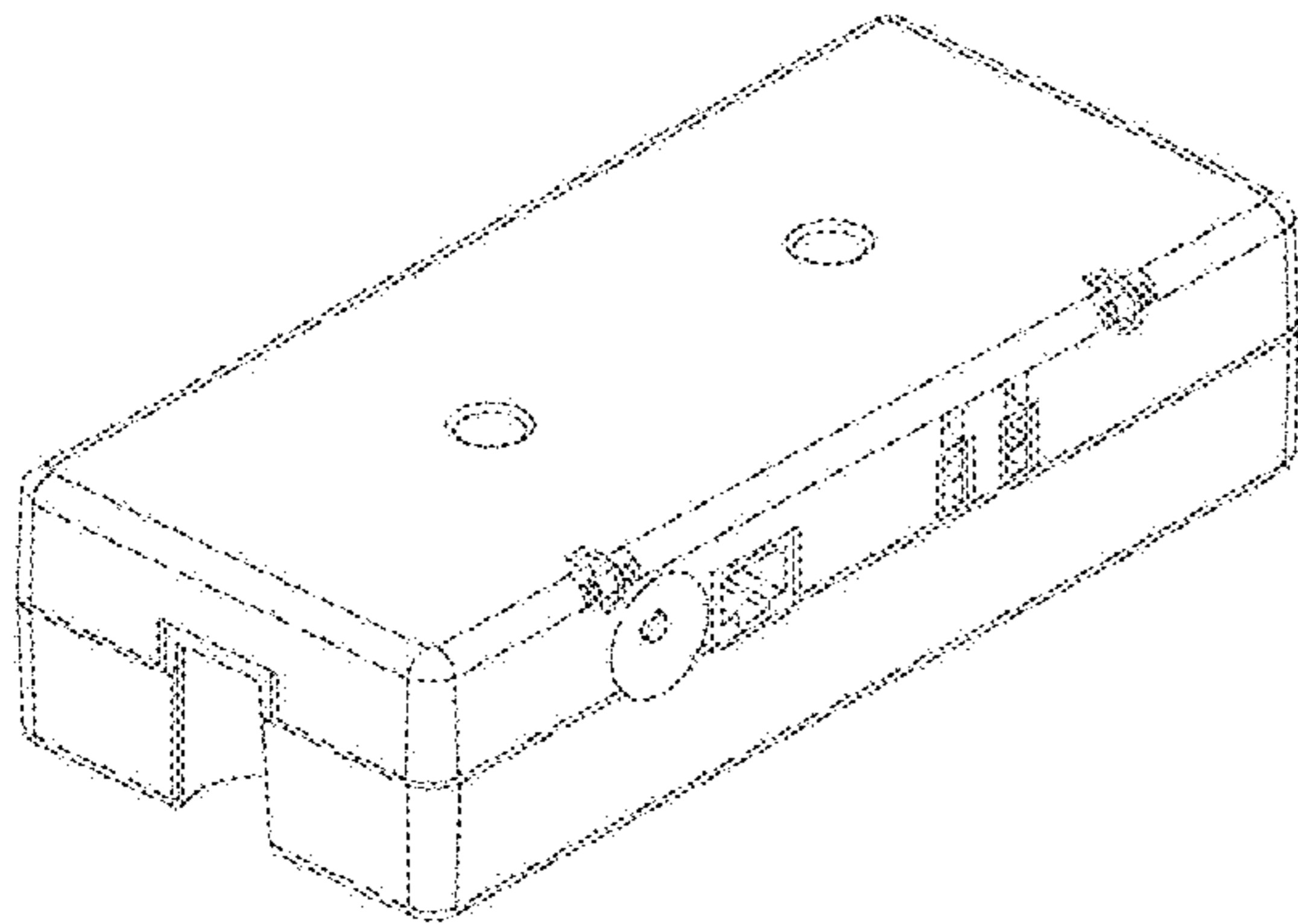
DESCRIPTION

FIG. 1 is a top perspective view of an electrical control box showing my new design,
FIG. 2 is a bottom perspective view thereof,
FIG. 3 is a top plan view thereof,
FIG. 4 is a left side elevation view thereof,
FIG. 5 is a bottom plan view thereof,
FIG. 6 is a right side elevation view thereof,
FIG. 7 is a front elevation view thereof; and,
FIG. 8 is a rear elevation view thereof.

1 Claim, 4 Drawing Sheets

(56) **References Cited**
U.S. PATENT DOCUMENTS

D543,957 S * 6/2007 Landerholm D13/184
D546,352 S * 7/2007 Tsou D15/143



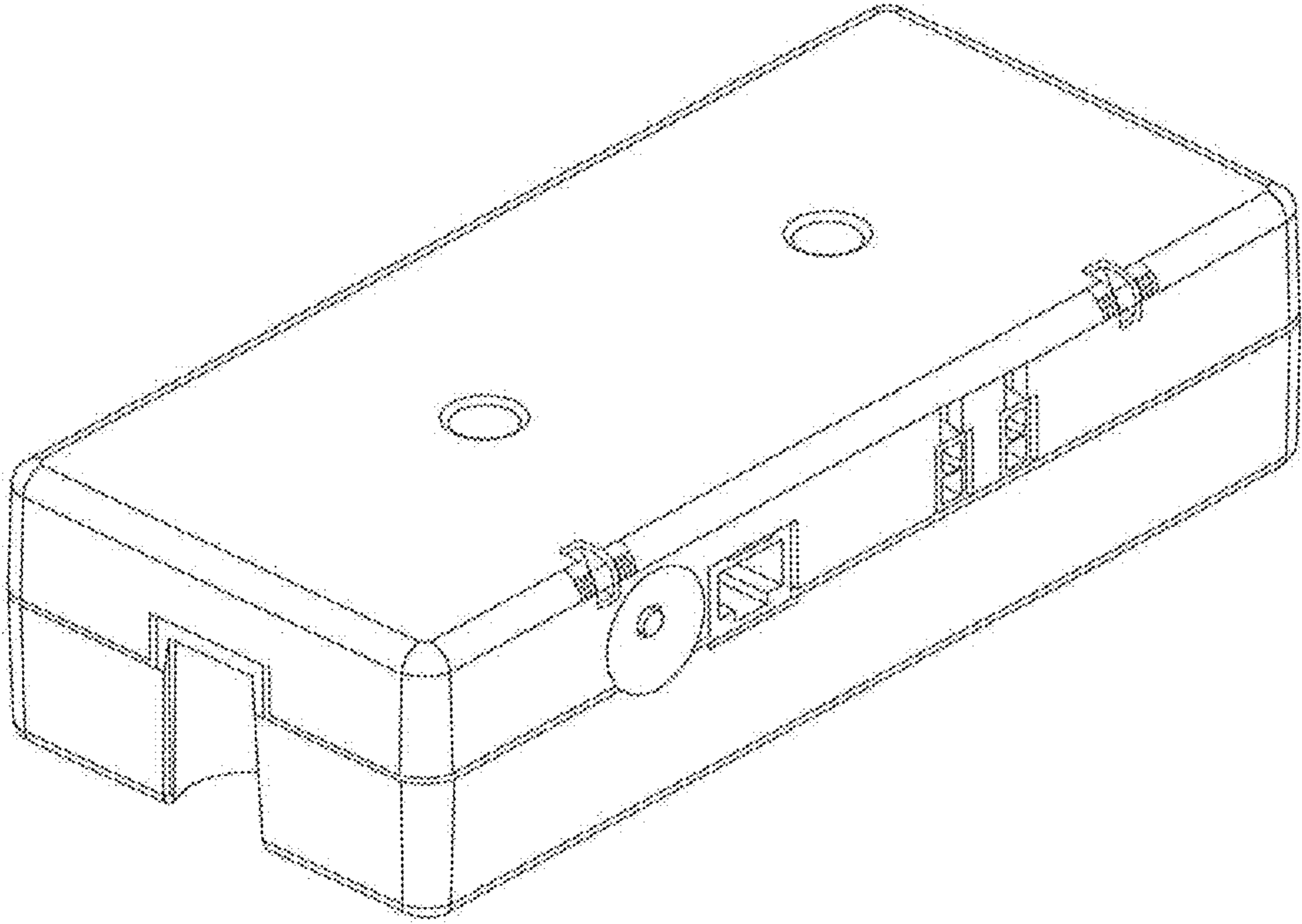


FIG. 1

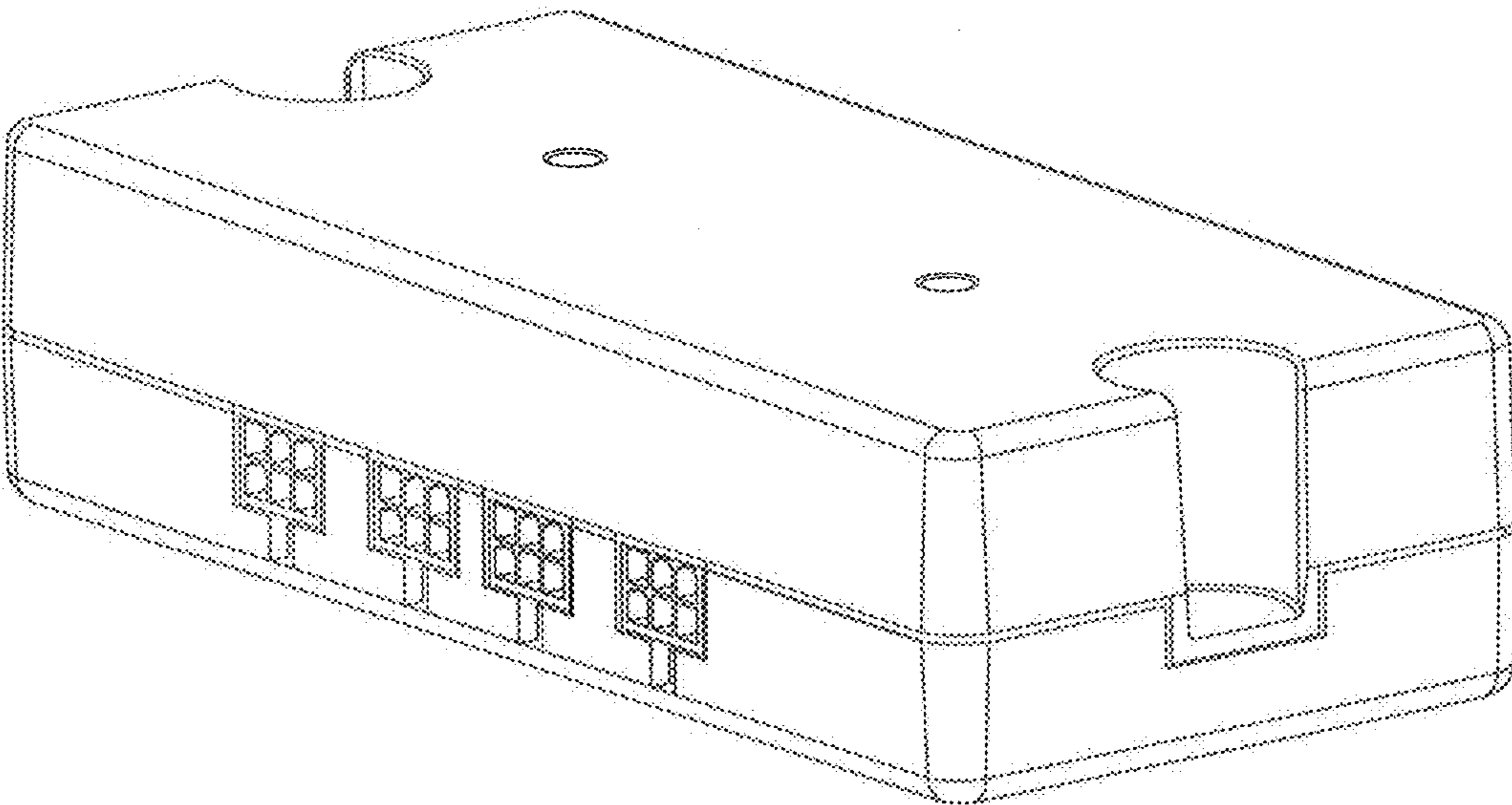


FIG. 2

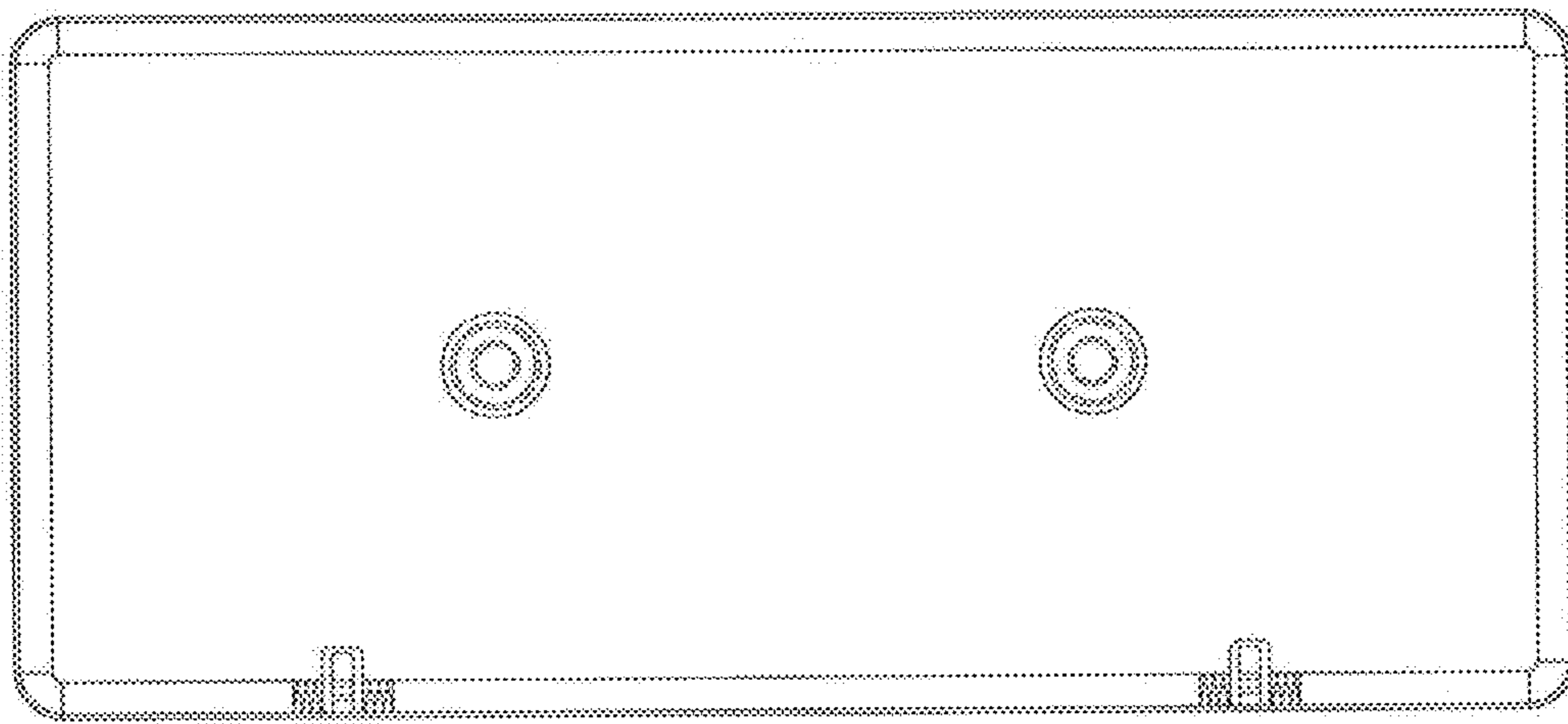


FIG. 3

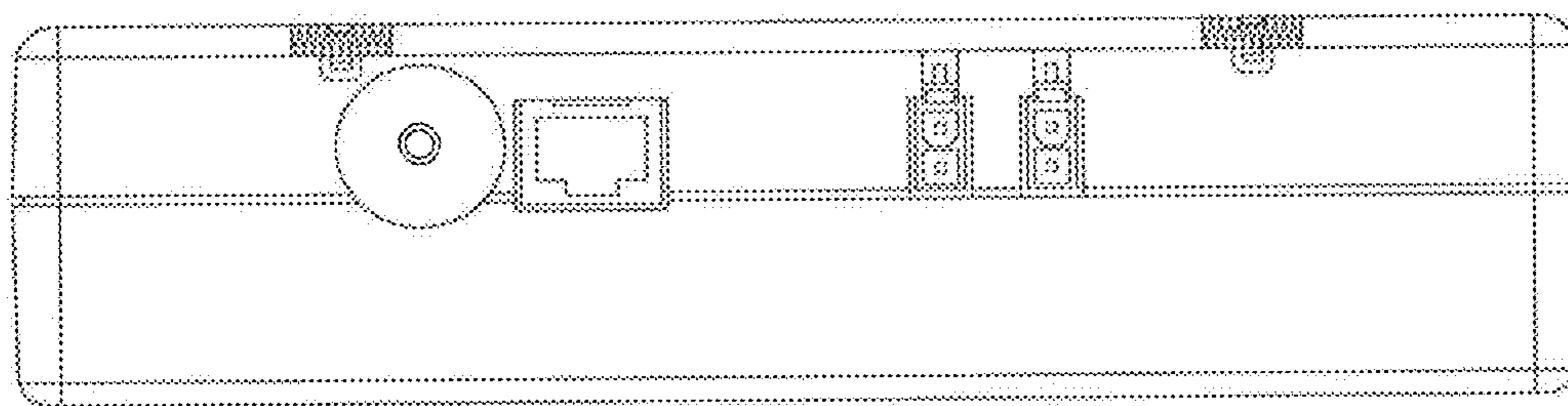


FIG. 4

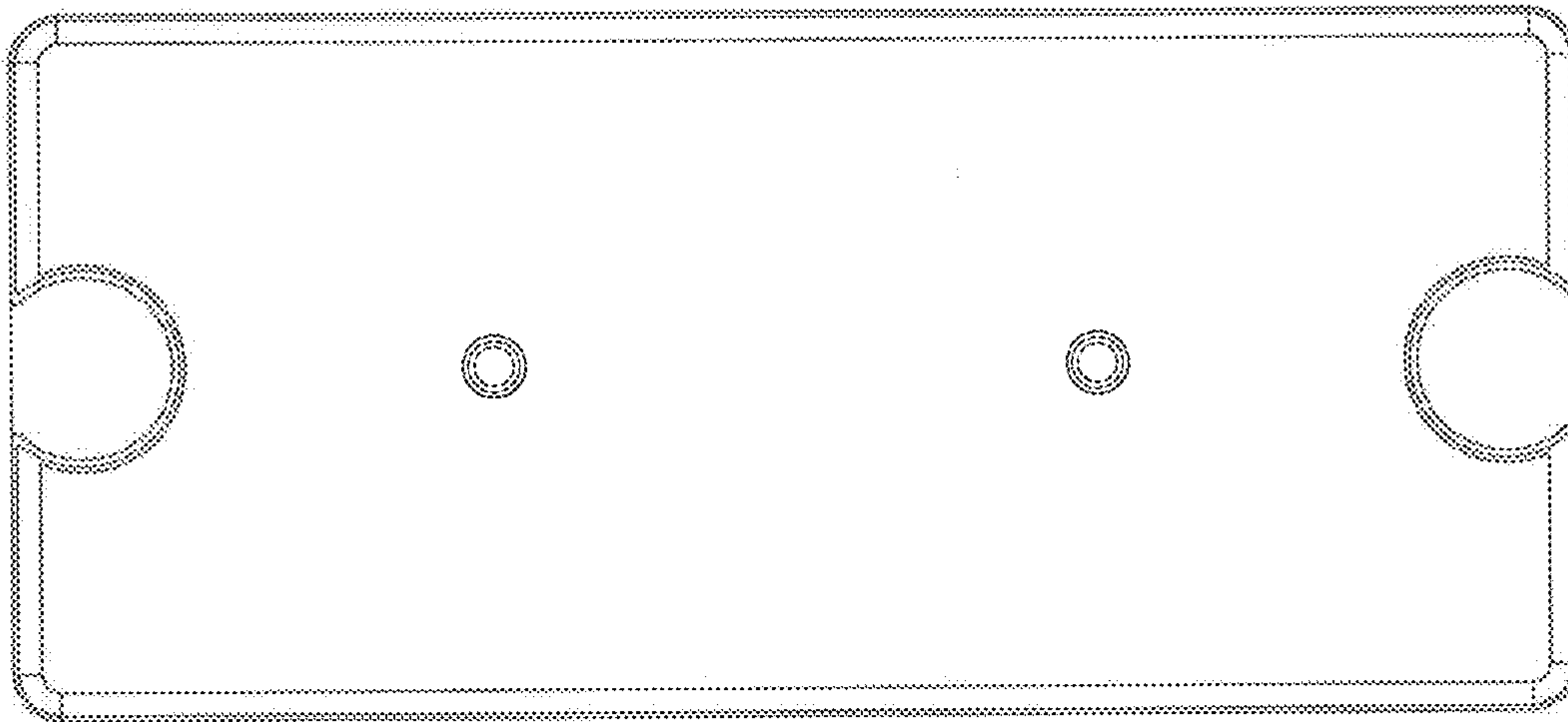


FIG. 5

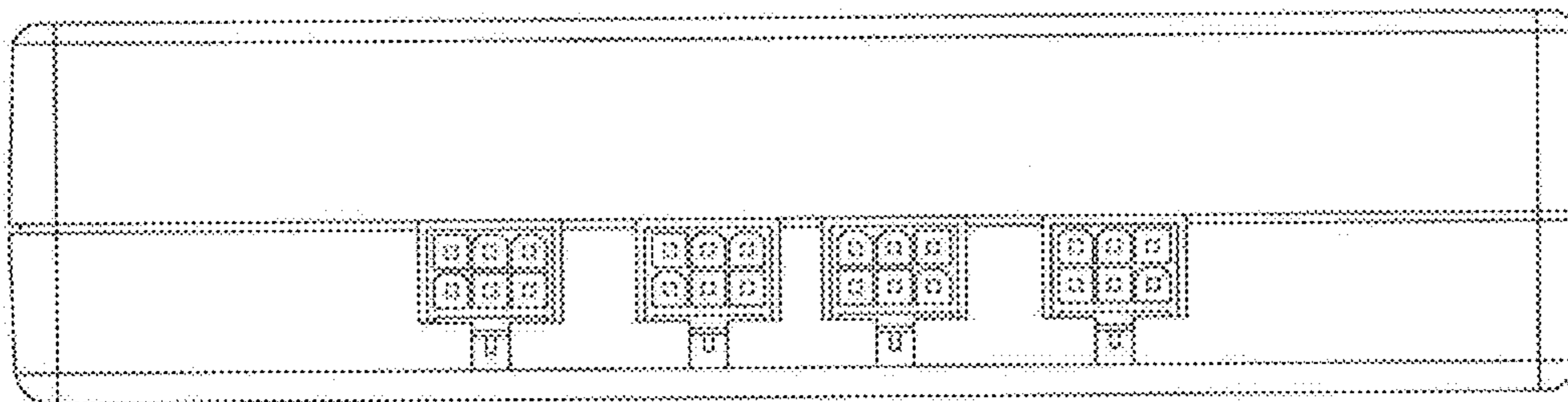


FIG. 6

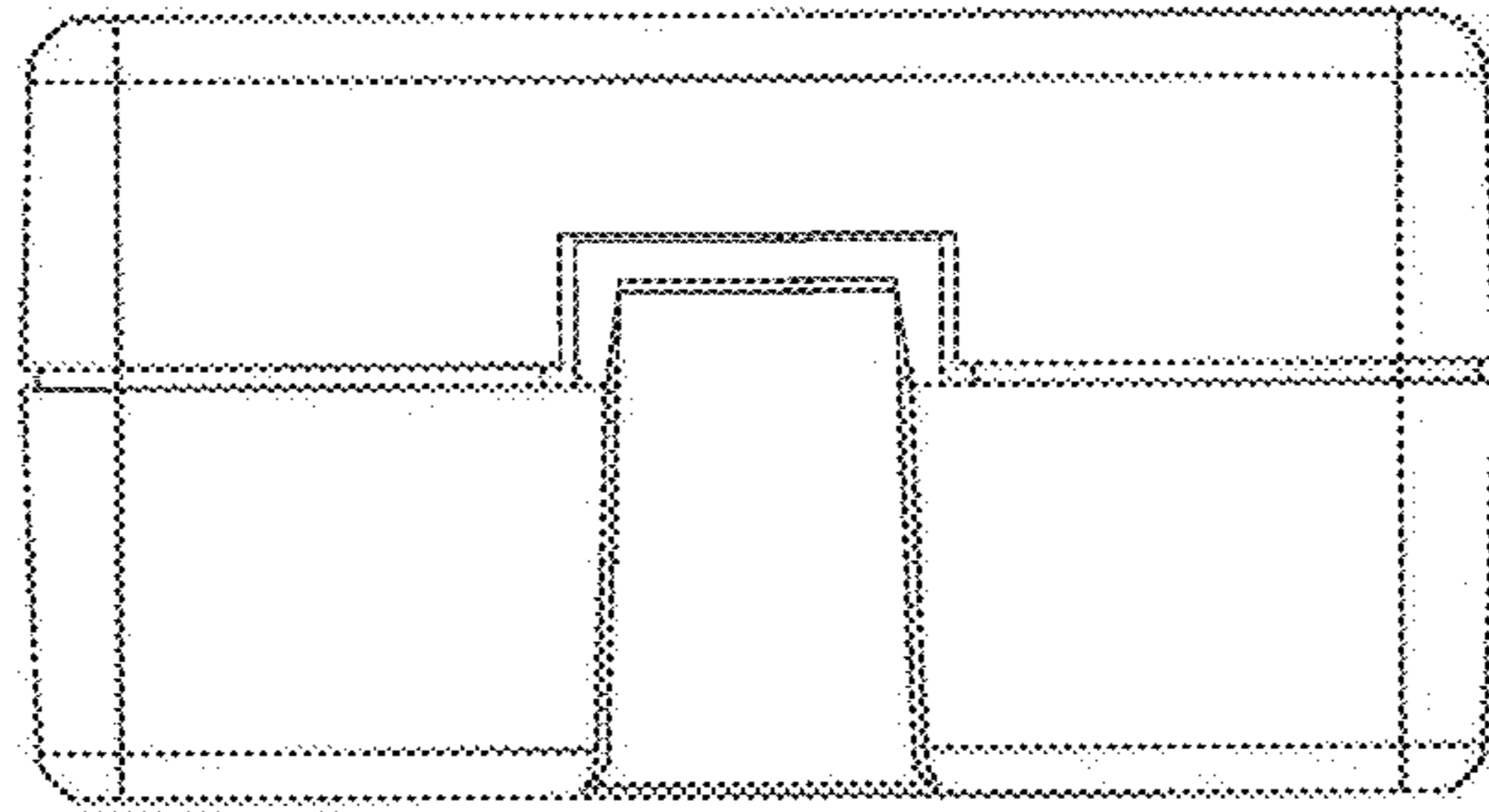


FIG. 7

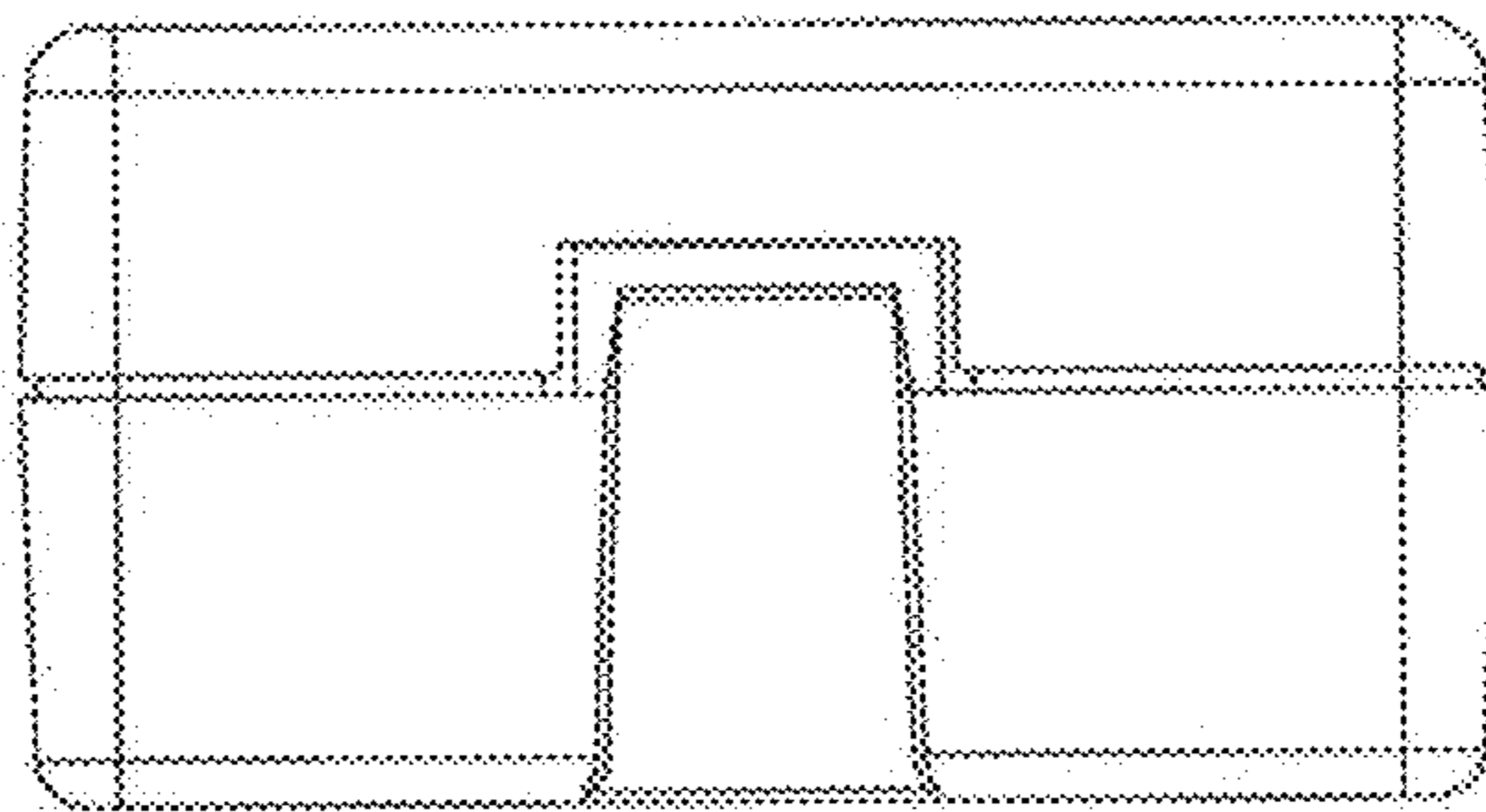


FIG. 8