



US00D783533S

(12) **United States Design Patent** (10) **Patent No.:** **US D783,533 S**
Tress et al. (45) **Date of Patent:** **** Apr. 11, 2017**

(54) **LIGHTING STRIP CONNECTOR**
(71) Applicant: **Rev-A-Shelf Company, LLC**,
Jeffersontown, KY (US)
(72) Inventors: **Christopher M Tress**, Louisville, KY
(US); **Stephen A Warden**, Louisville,
KY (US)
(73) Assignee: **Rev-A-Shelf Company, LLC**,
Louisville, KY (US)
(**) Term: **14 Years**
(21) Appl. No.: **29/514,634**
(22) Filed: **Jan. 14, 2015**
(51) **LOC (10) Cl.** **13-03**
(52) **U.S. Cl.**
USPC **D13/133; D13/134**
(58) **Field of Classification Search**
USPC D13/118, 120, 123, 133-136, 146, 147,
D13/149, 154, 173, 184, 199; D26/113,
D26/138
CPC F21S 4/00; F21S 8/00; F21V 21/00; F21V
23/06; F21V 29/00; H01R 4/26; H01R
12/00; H01R 13/00
See application file for complete search history.

(56) **References Cited**
U.S. PATENT DOCUMENTS
D443,456 S * 6/2001 Horsten D6/580
6,474,876 B1 * 11/2002 Sikorski, Jr. G02B 6/3825
174/67
D527,345 S * 8/2006 Zhang D13/133
D593,033 S * 5/2009 Ogata D13/133
D619,961 S * 7/2010 Eilertsen D13/120
D621,542 S 8/2010 Kluś
D625,463 S 10/2010 Kluś
D662,255 S 6/2012 Kluś
D662,256 S 6/2012 Kluś

8,262,250 B2 9/2012 Li et al.
8,267,540 B2 9/2012 Kluś
8,297,788 B2 10/2012 Bishop
(Continued)

FOREIGN PATENT DOCUMENTS

DE 10 2011 011 105 A1 8/2013
PL 390773 3/2010

OTHER PUBLICATIONS

Frost Cover Metal Cap Waterproof strip light Bulbs, dated Oct. 28,
2014, [online], [site visited Aug. 29, 2016]. Available from Internet,
<URL: <http://www.dhgate.com/product/20pcs-lot-frost-cover-metal-cap-waterproof/210878100.html>>.*
(Continued)

Primary Examiner — Thomas Johannes
Assistant Examiner — Shawn T Gingrich
(74) *Attorney, Agent, or Firm* — Brinks Gilson & Lione

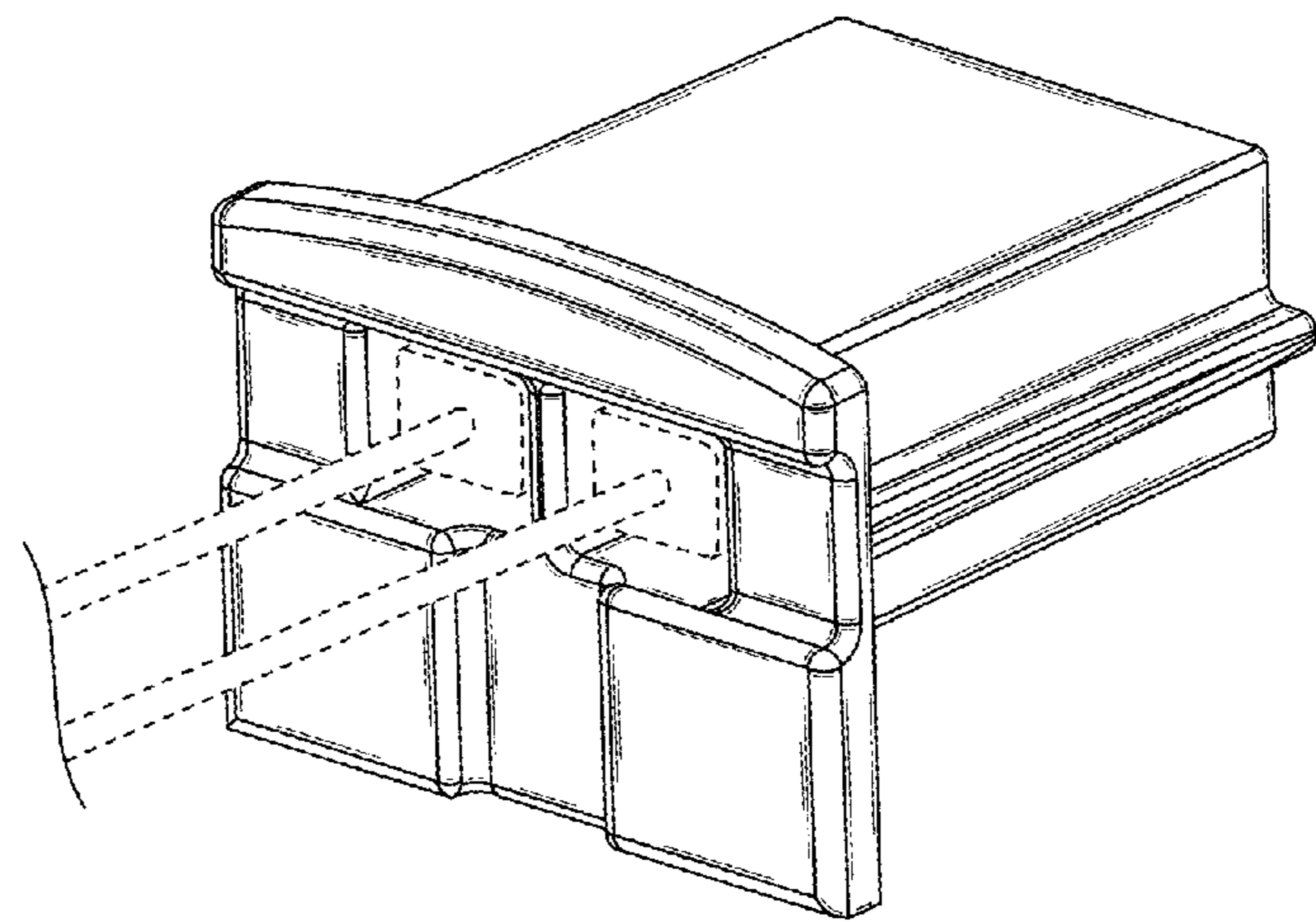
(57) **CLAIM**

We claim the ornamental design for a lighting strip connector, as shown and described.

DESCRIPTION

FIG. 1 is a front elevation view thereof;
FIG. 2 is a rear elevation view thereof;
FIG. 3 is a top plan view thereof;
FIG. 4 is a bottom plan view thereof;
FIG. 5 is a right side elevation view thereof, the left side
elevation view being a mirror image; and,
FIG. 6 is a perspective view taken from the upper front left
thereof.
The broken lines showing portions of the connector are
included for the purpose of illustrating non-claimed subject
matter and form no part of the claimed design. The symbolic
break line shown at the rear of the article indicate a symbolic
break in its length, the appearance of any portion of the
article beyond the break line form no part of the claimed
design.

1 Claim, 6 Drawing Sheets



(56)

References Cited

U.S. PATENT DOCUMENTS

D693,051	S	11/2013	Kluś	
D693,052	S	11/2013	Kluś	
D695,953	S	12/2013	Kluś	
D695,955	S	12/2013	Kluś	
D698,075	S	1/2014	Kluś	
D698,076	S	1/2014	Kluś	
8,628,212	B2	1/2014	Kluś	
D702,875	S	4/2014	Kluś	
D705,982	S	5/2014	Kluś	
D705,983	S	5/2014	Kluś	
D705,984	S	5/2014	Kluś	
8,714,772	B1	5/2014	Levante et al.	
2005/0270774	A1*	12/2005	Pan	F21V 5/02 362/217.12
2006/0028813	A1*	2/2006	Hwang	F21S 8/04 362/223
2006/0262520	A1*	11/2006	Tress	F21S 8/00 362/133
2010/0309658	A1*	12/2010	Rouse	F21S 8/031 362/217.12

2011/0110077	A1	5/2011	Kluś	
2011/0164419	A1*	7/2011	Klus	F21S 8/02 362/235
2013/0155670	A1*	6/2013	Handsaker	F21V 13/02 362/223
2014/0334142	A1*	11/2014	Levante	F21S 4/005 362/222
2016/0053973	A1*	2/2016	Tress	F21V 19/003 362/217.02

OTHER PUBLICATIONS

Rev A Shelf: Infinex Extrusion LED Lighting System, dated Oct. 28, 2014, [online], [site visited Aug. 29, 2016]. Available from Internet, <URL: https://www.youtube.com/watch?v=_AvtT9yyR90>.*
 Kluś ©, LED Extrusions, 2006, pp. 1-192.
 Outerwater Plastics Industries Inc. © & Architectural Products Catalog, dated 2013, pp. 647-742.

* cited by examiner

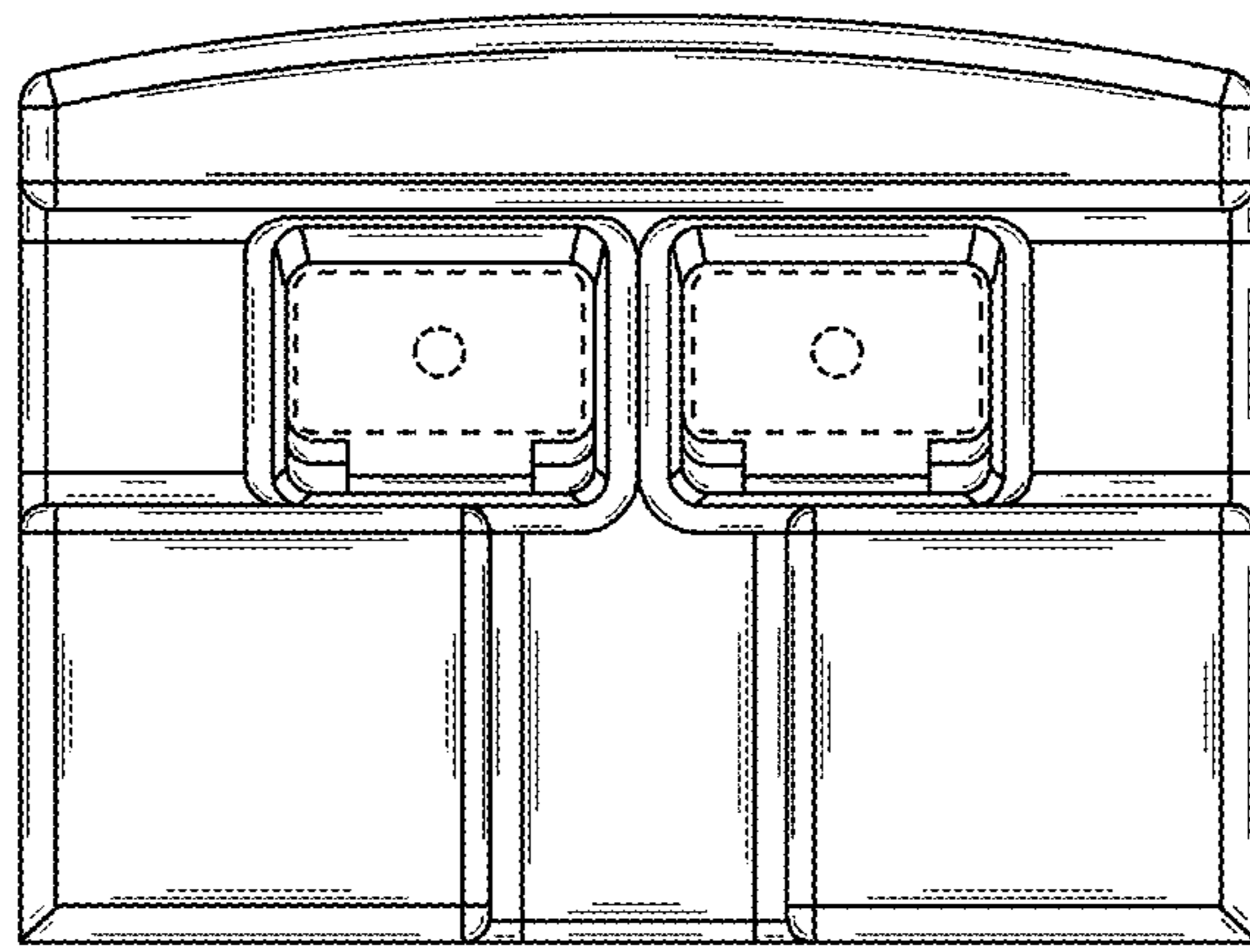


FIG. 1

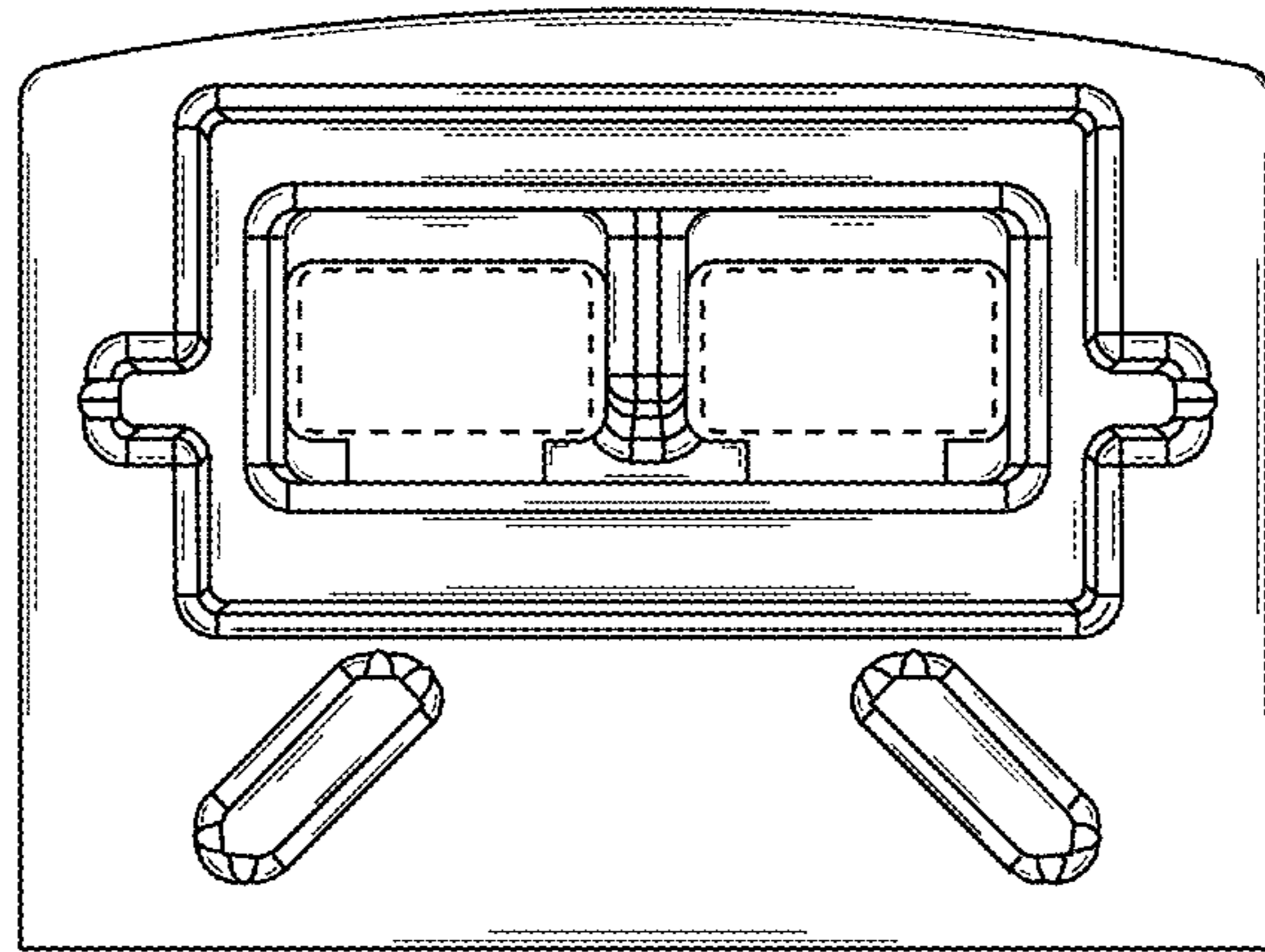


FIG. 2

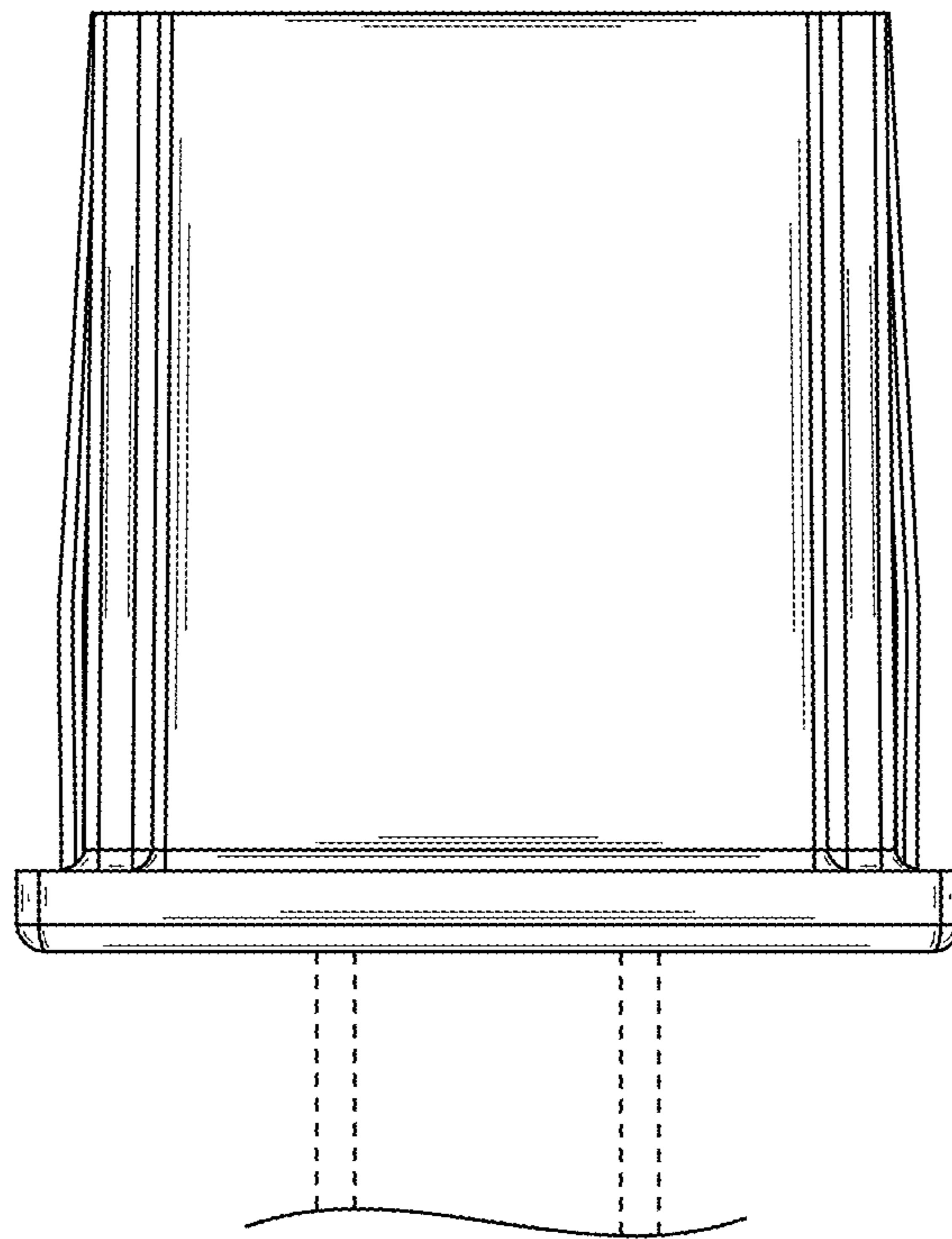


FIG. 3

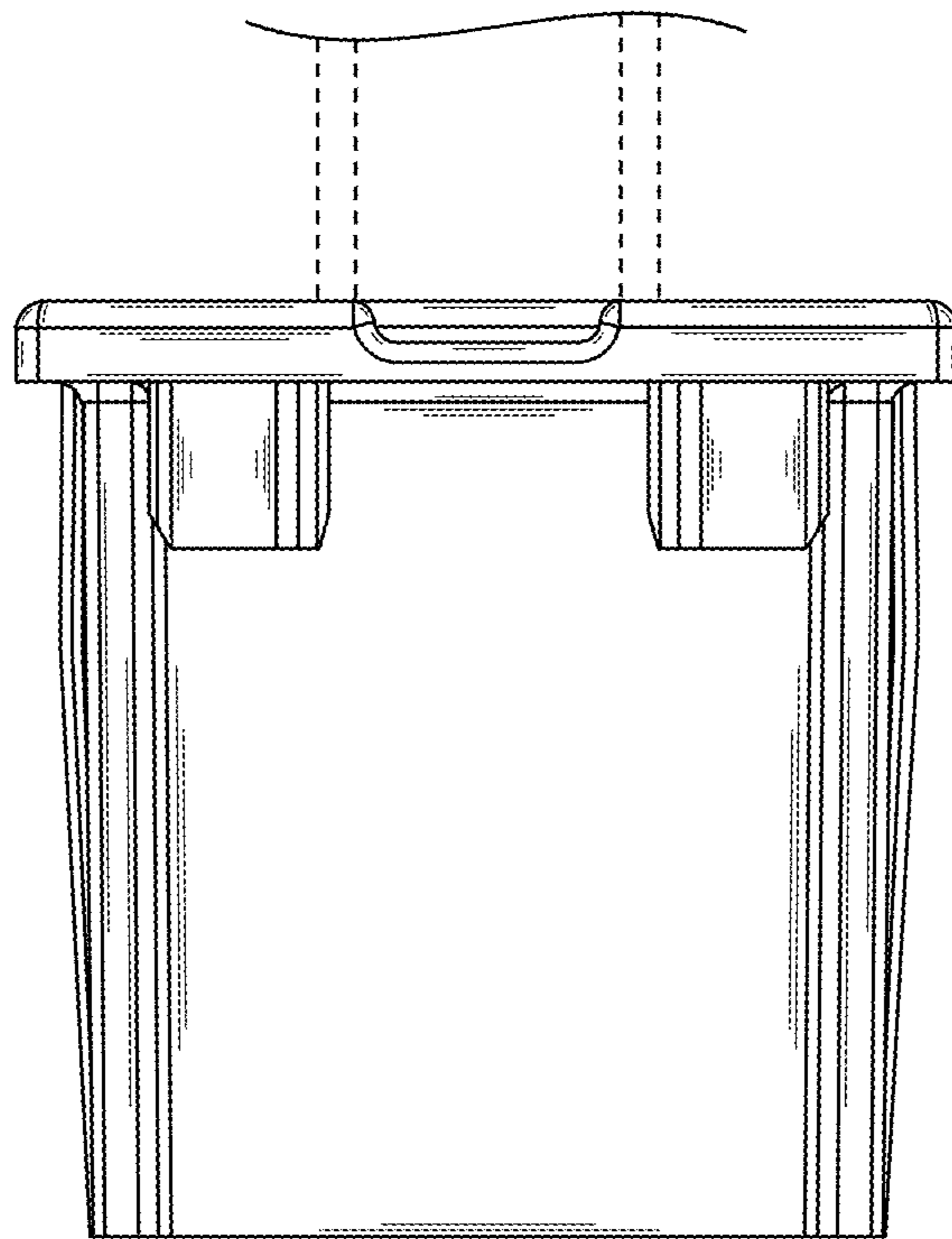


FIG. 4

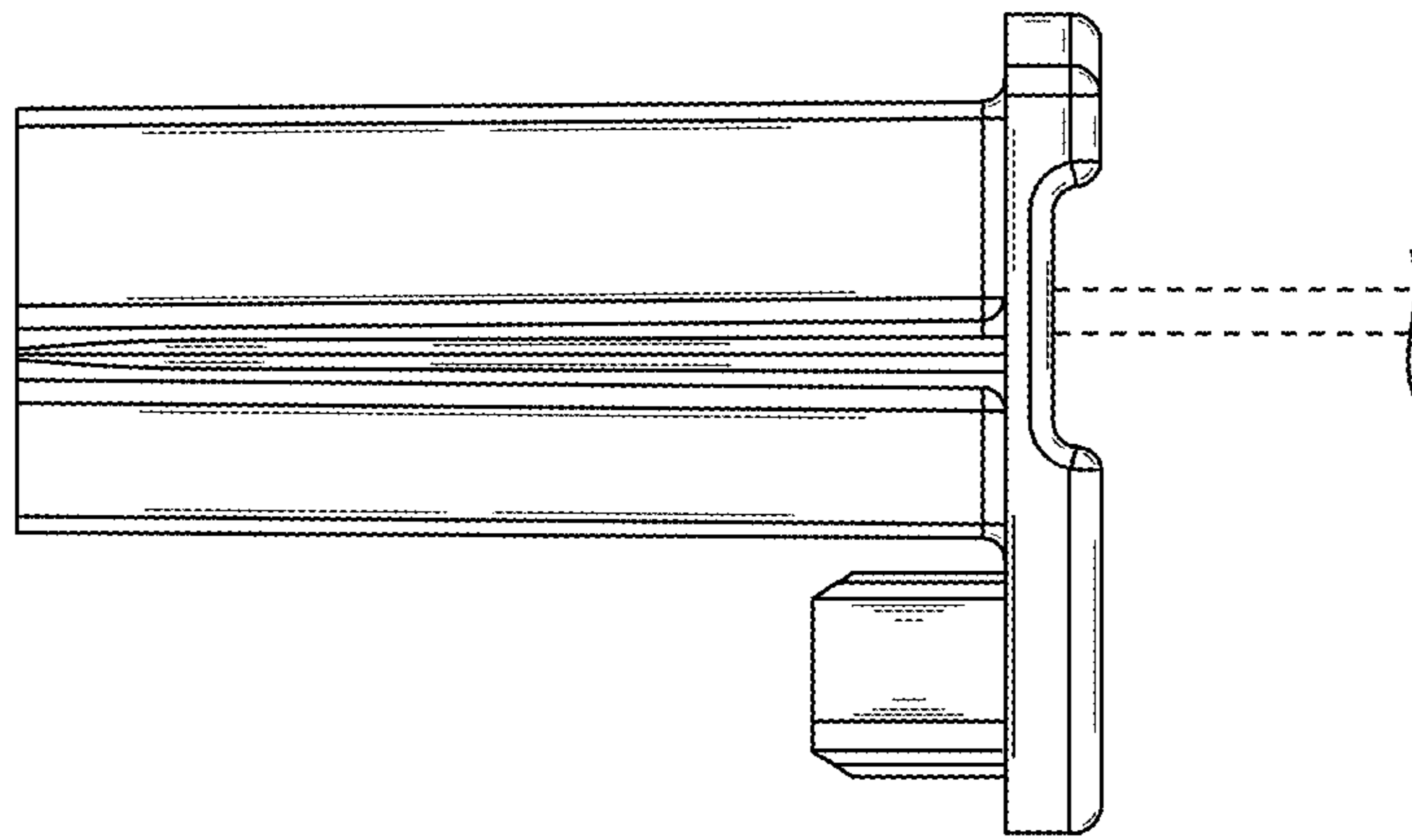


FIG. 5

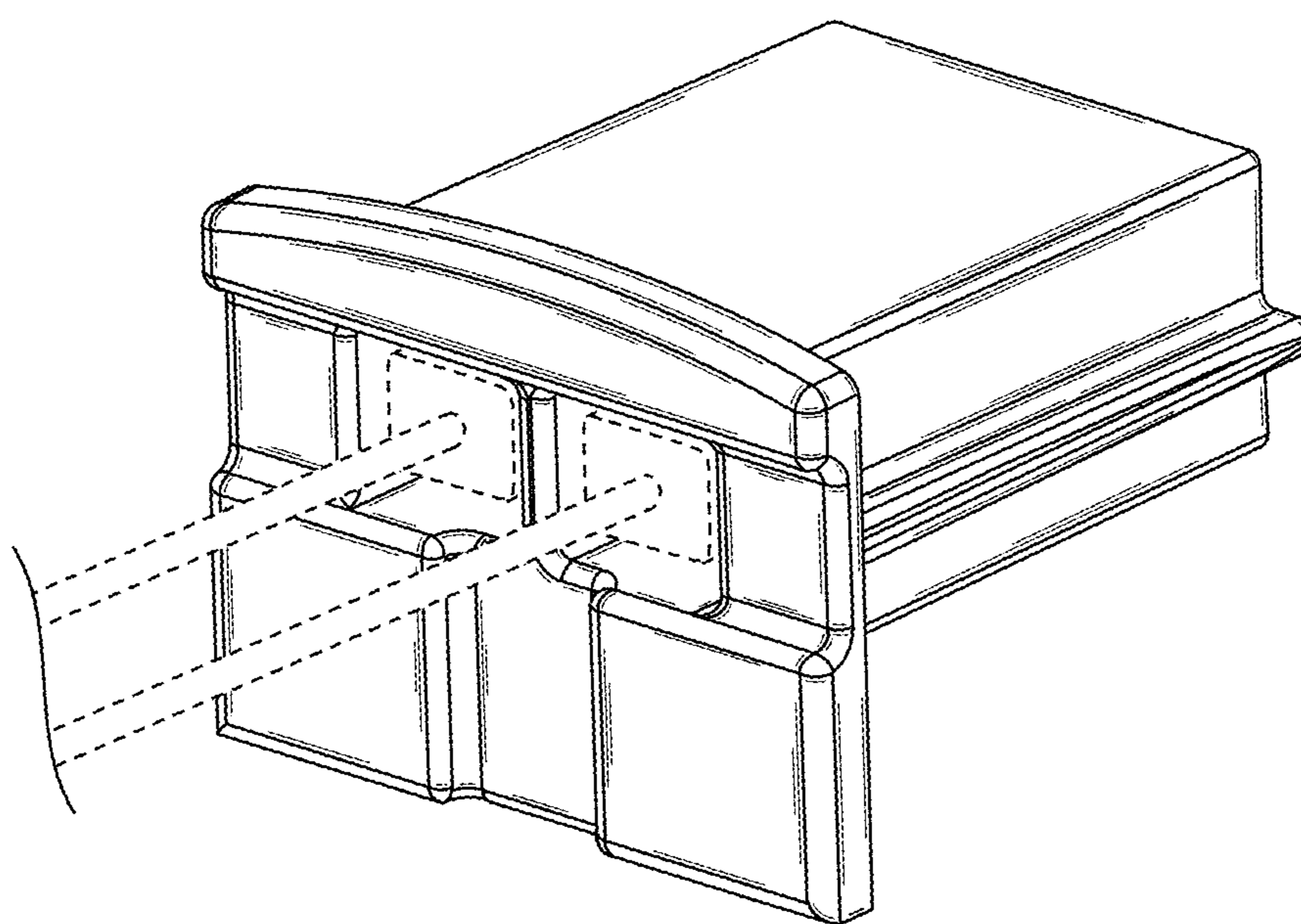


FIG. 6