



US00D783530S

(12) **United States Design Patent**  
**Kanemitsu et al.**

(10) **Patent No.:** **US D783,530 S**

(45) **Date of Patent:** **\*\* Apr. 11, 2017**

(54) **CASE FOR ELECTRIC POWER STORAGE CELL PACK**

(71) Applicant: **Shin-Kobe Electric Machinery Co., Ltd.**, Tokyo (JP)

(72) Inventors: **Seiji Kanemitsu**, Tokyo (JP); **Yusuke Uchida**, Tokyo (JP); **Satoshi Kugino**, Tokyo (JP)

(73) Assignee: **HITACHI CHEMICAL COMPANY, LTD.**, Tokyo (JP)

(\*\*) Term: **14 Years**

(21) Appl. No.: **29/511,356**

(22) Filed: **Dec. 10, 2014**

(30) **Foreign Application Priority Data**

Jun. 10, 2014 (JP) ..... 2014-119909

(51) **LOC (10) Cl.** ..... **13-01**

(52) **U.S. Cl.**  
USPC ..... **D13/119**

(58) **Field of Classification Search**  
USPC ..... D13/102-106, 110, 118-119, 184;  
429/163, 96-100, 176; 206/703, 705,  
206/471, 485.1  
CPC ..... Y02E 60/12; Y02E 60/50; Y02E 60/528;  
H01M 10/4257; H01M 10/0436  
See application file for complete search history.

(56) **References Cited**

**U.S. PATENT DOCUMENTS**

D352,894 S \* 11/1994 Halaburda ..... D9/415  
D361,980 S \* 9/1995 Chen ..... D13/119

D400,160 S \* 10/1998 Nagano ..... D13/103  
D408,351 S \* 4/1999 Shim ..... D13/103  
D409,559 S \* 5/1999 Shim ..... D13/103  
D445,758 S \* 7/2001 Killebrew ..... D13/103  
6,498,406 B1 12/2002 Horiuchi et al.  
D468,259 S \* 1/2003 Garrity ..... D13/119

(Continued)

**FOREIGN PATENT DOCUMENTS**

JP 2000-223099 A 8/2000  
JP 2001-325996 A 11/2001

(Continued)

*Primary Examiner* — Rosemary K Tarcza

*Assistant Examiner* — James Thorn, Sr.

(74) *Attorney, Agent, or Firm* — Fitch, Even, Tabin & Flannery LLP

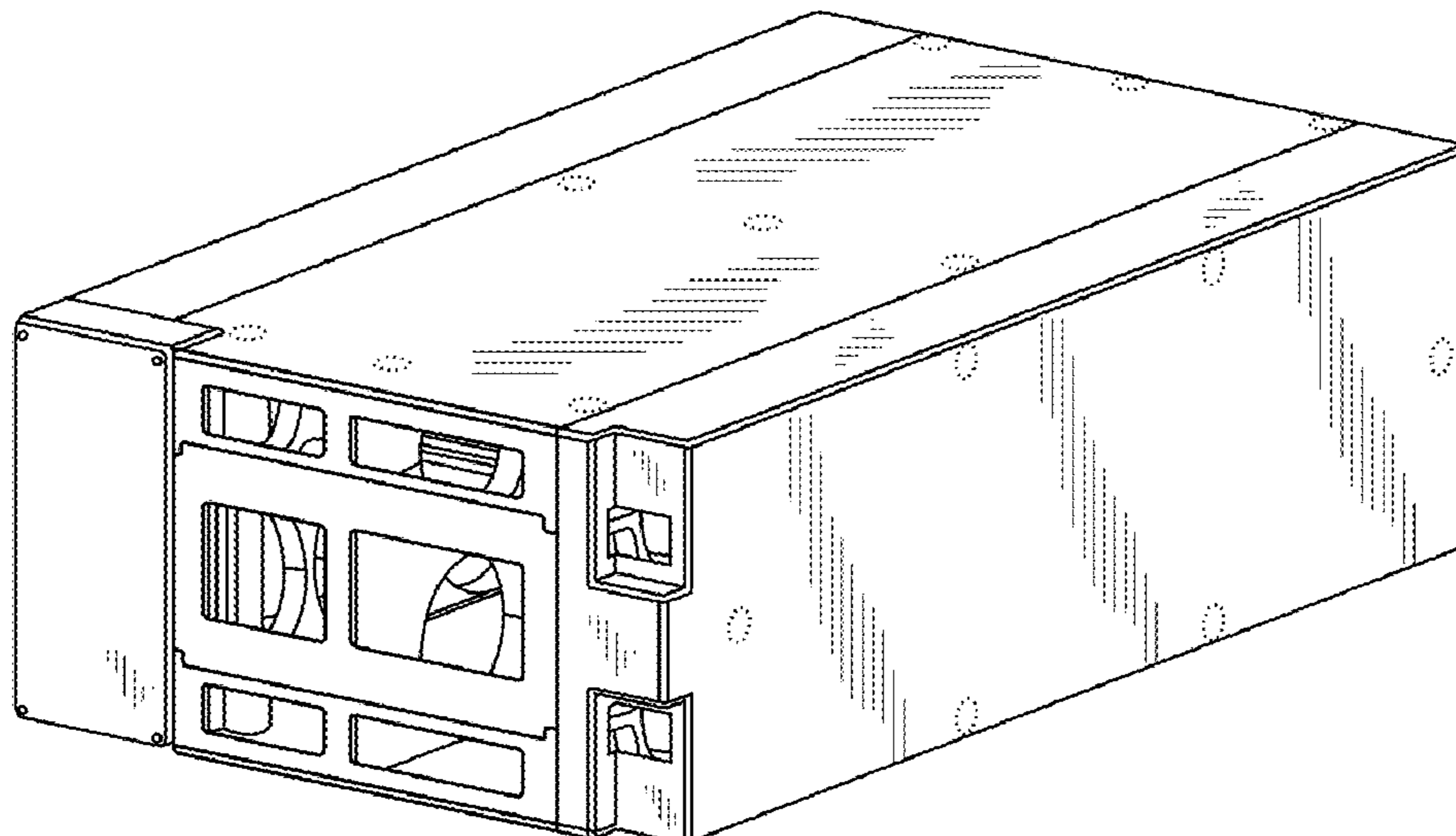
(57) **CLAIM**

The ornamental design for a case for electric power storage cell pack, as shown and described.

**DESCRIPTION**

FIG. 1 is a perspective view showing our new design; FIG. 2 is a front elevational view thereof; FIG. 3 is a rear elevational view thereof; FIG. 4 is a right side elevational view thereof; FIG. 5 is a left side elevational view thereof; and FIG. 6 is a top plan view thereof; FIG. 7 is a bottom plan view thereof; FIG. 8 is an exploded perspective view thereof; and, FIG. 9 is an enlarged view of the right side elevational view as indicated by line 9-9 taken from FIG. 4. The broken lines in the drawings are for the purpose of illustrating unclaimed portions and form no part of the claimed design.

**1 Claim, 9 Drawing Sheets**



(56)

**References Cited**

U.S. PATENT DOCUMENTS

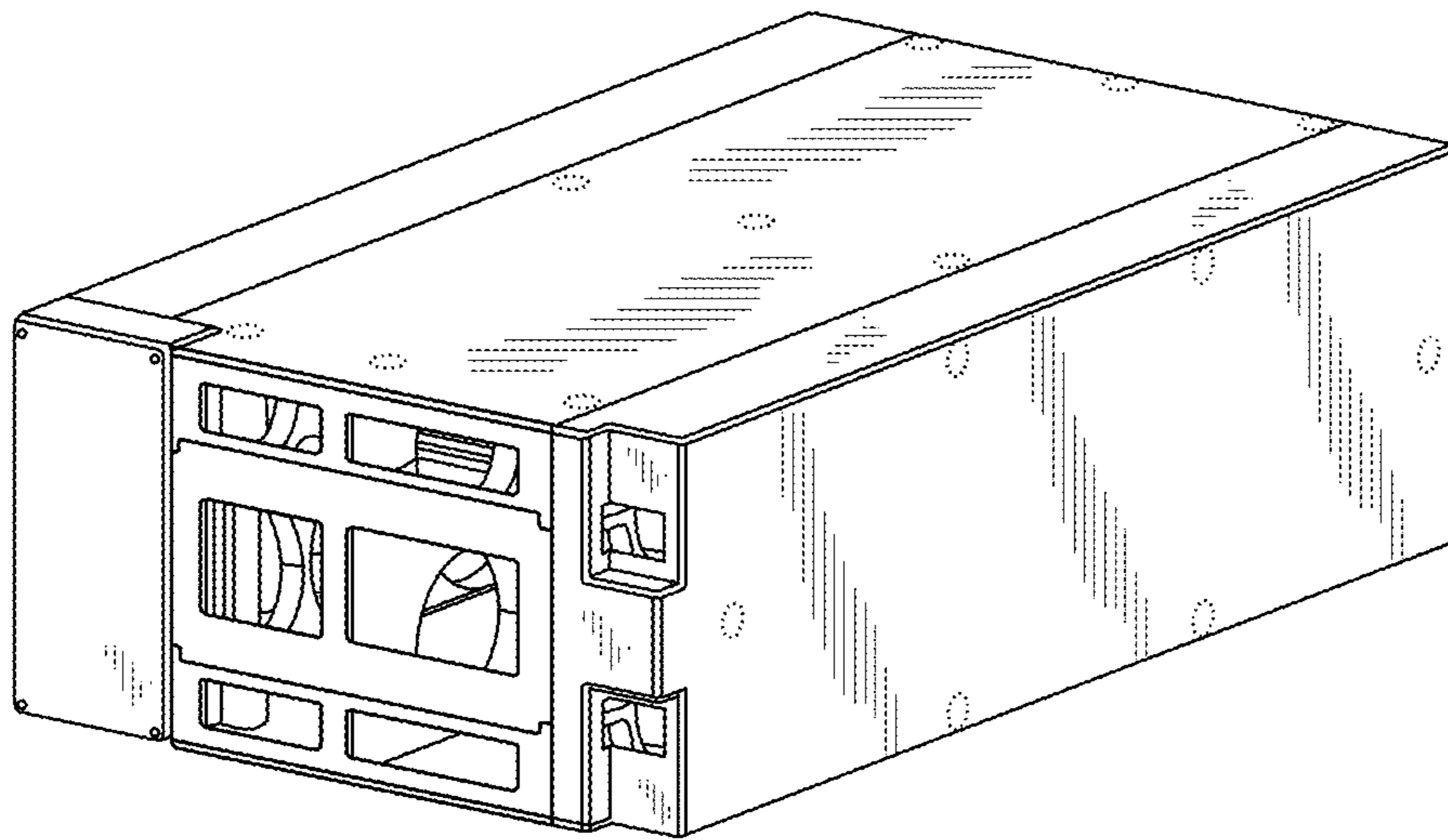
D476,950	S *	7/2003	Peress	.....	D13/103
D483,722	S *	12/2003	Bailey	.....	D13/119
D488,443	S *	4/2004	Bailey	.....	D13/119
D637,156	S *	5/2011	Yoon	.....	D13/119
D664,092	S *	7/2012	Gea Suarez	.....	D13/103
D710,305	S *	8/2014	Windom	.....	D13/119
D712,356	S *	9/2014	Windom	.....	D13/119
D719,095	S *	12/2014	Oota	.....	D13/103
D720,291	S *	12/2014	Liu	.....	D13/119
D751,500	S *	3/2016	Shimota	.....	D13/103
2001/0046624	A1	11/2001	Goto et al.		
2006/0210871	A1 *	9/2006	Shiau	.....	H01M 2/0257 429/178
2009/0305116	A1 *	12/2009	Yang	.....	H01M 2/0212 429/61
2010/0047676	A1 *	2/2010	Park	.....	H01M 2/105 429/93
2010/0255355	A1 *	10/2010	Park	.....	H01M 2/105 429/91
2014/0017531	A1	1/2014	Uehara et al.		

FOREIGN PATENT DOCUMENTS

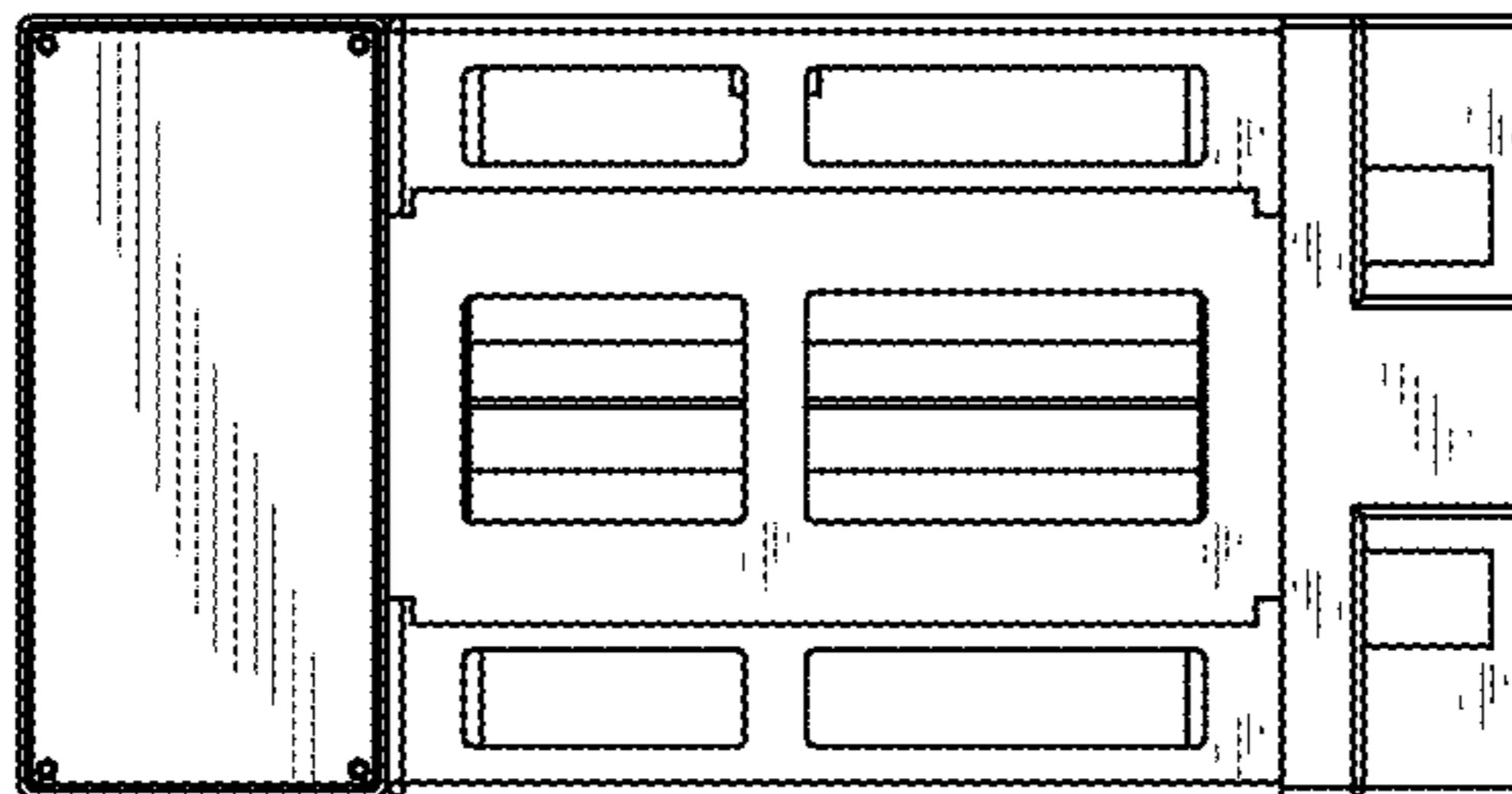
JP	2004-031248	A	1/2004
JP	2006-134800	A	5/2006
JP	D 1356508		4/2009
WO	2012/132135	A1	10/2012
WO	WO 2013/129574		9/2013

\* cited by examiner

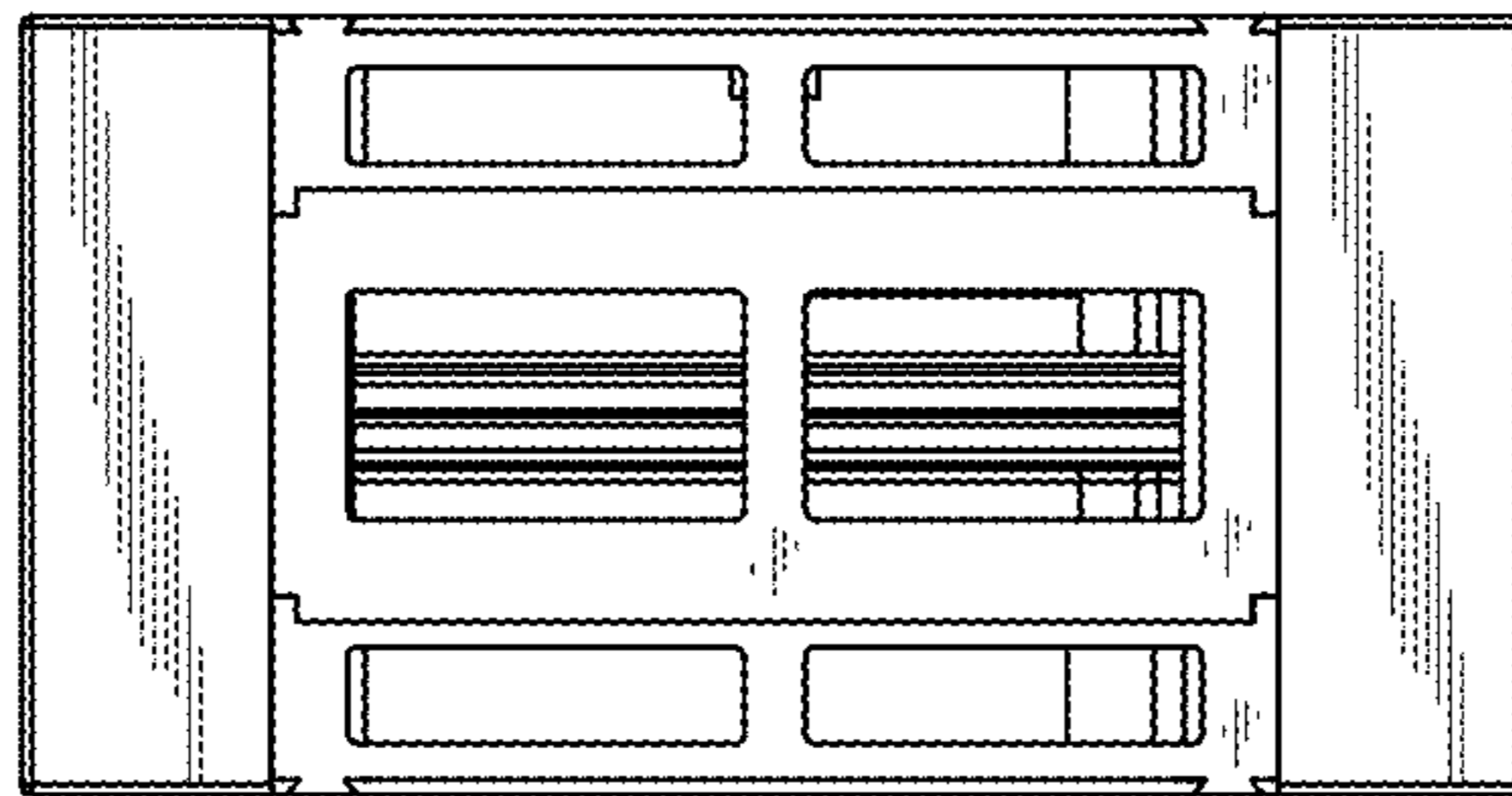
*Fig. 1*



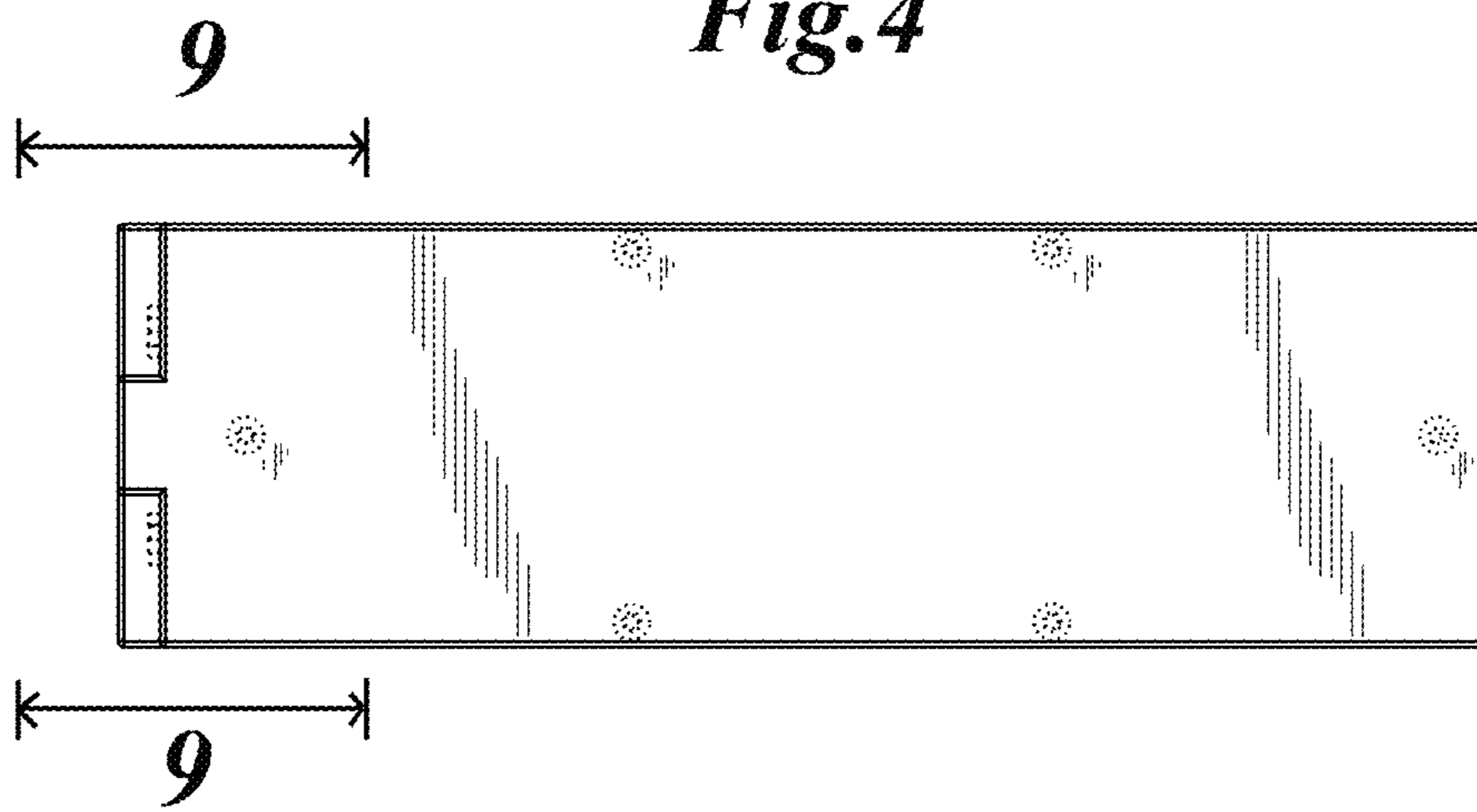
*Fig.2*



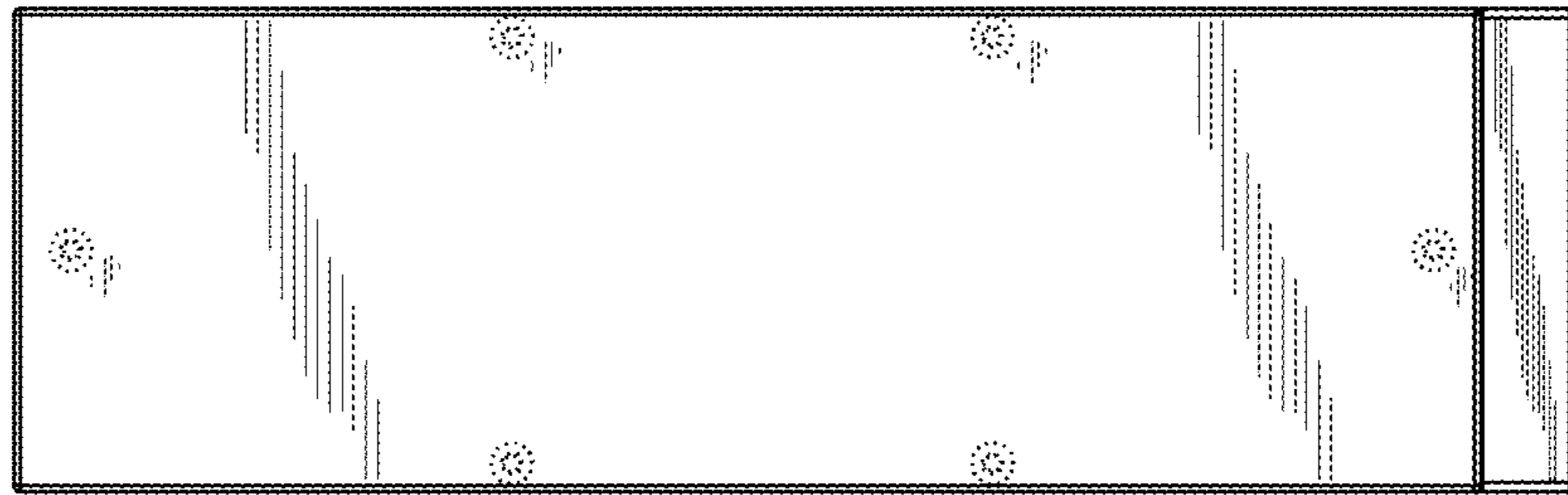
*Fig.3*



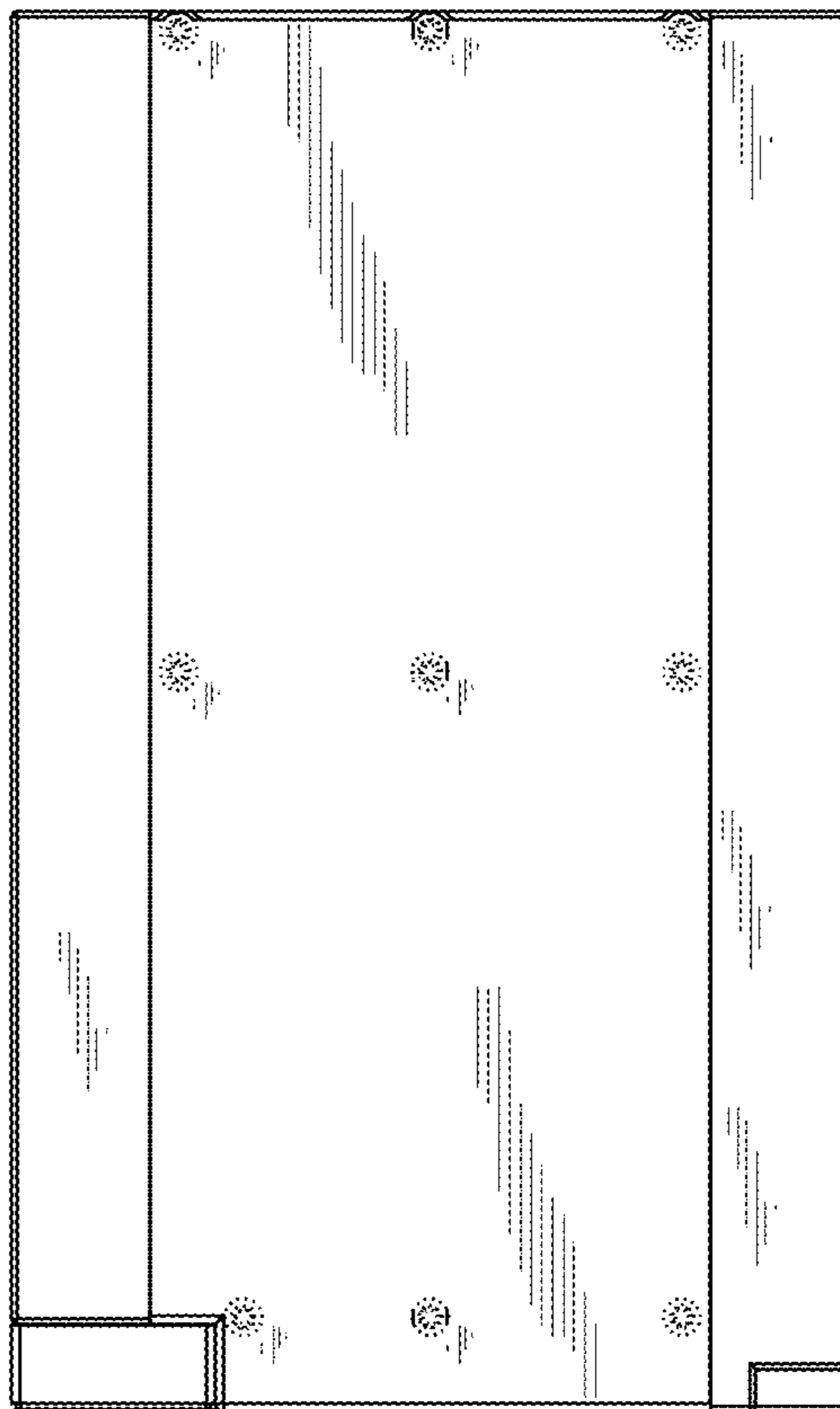
*Fig.4*



*Fig. 5*

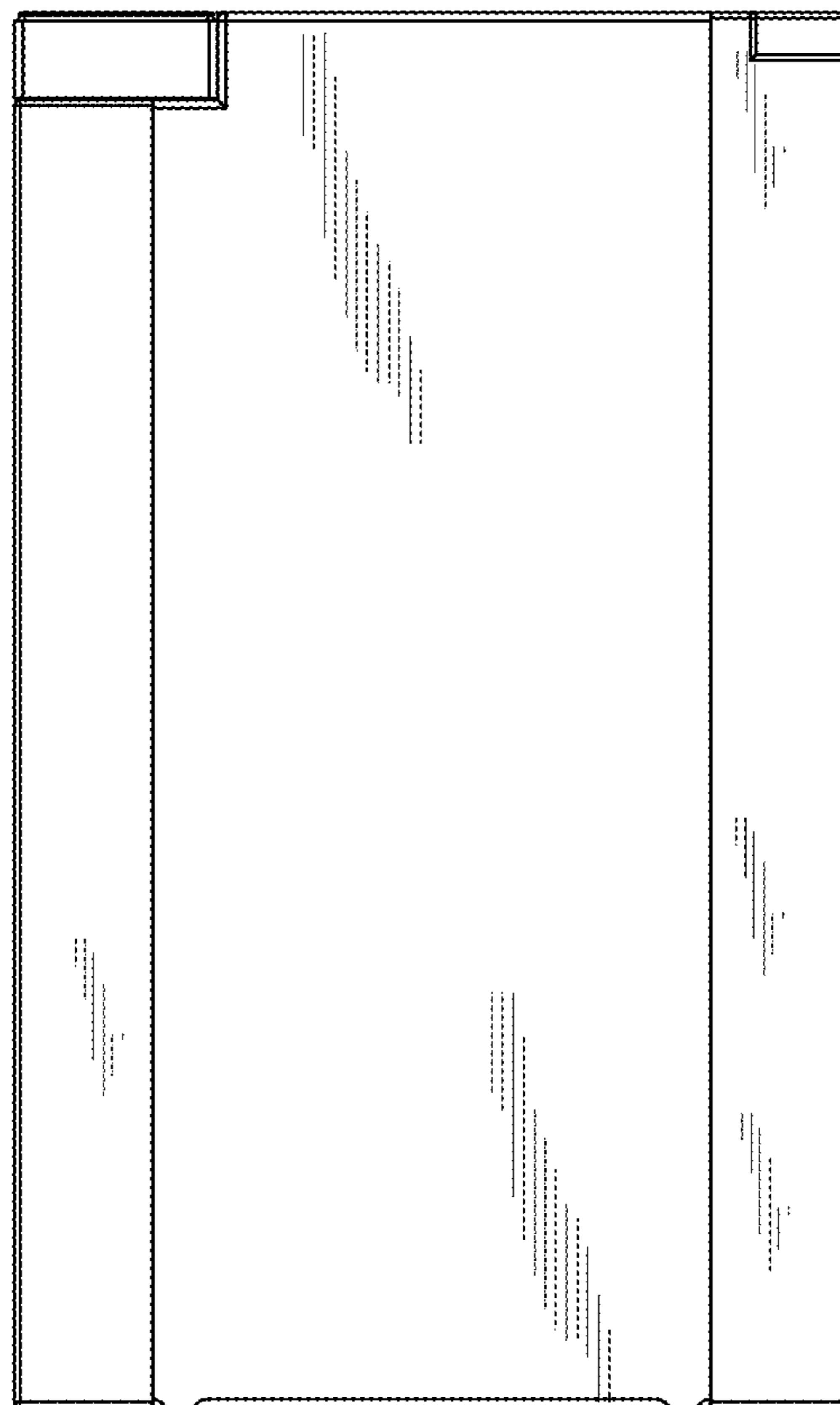


*Fig. 6*

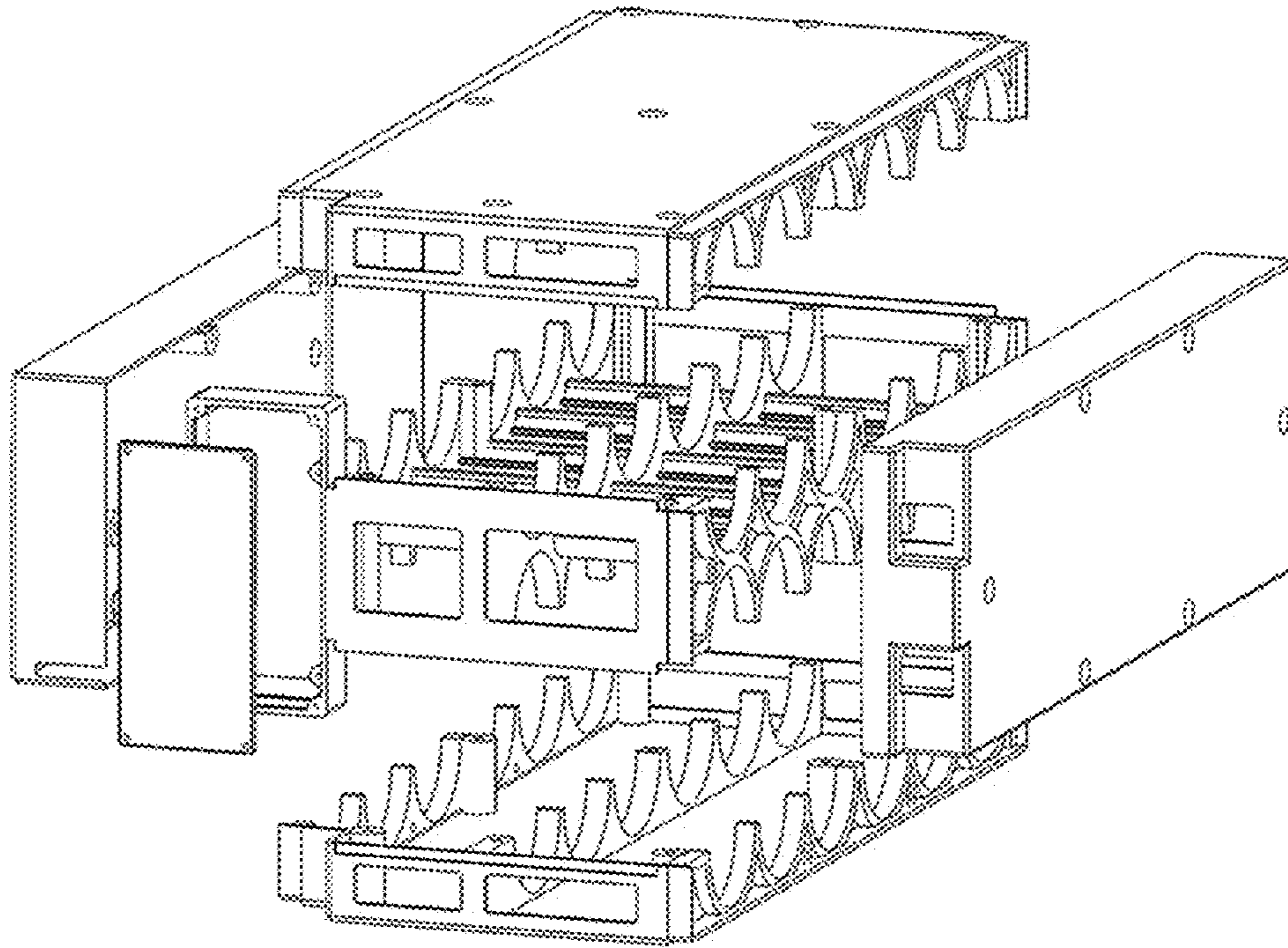




*Fig. 7*



*Fig. 8*



*Fig. 9*

