



US00D783528S

(12) **United States Design Patent**
Burwell

(10) **Patent No.:** **US D783,528 S**

(45) **Date of Patent:** **** Apr. 11, 2017**

(54) **SHROUDED CURRENT TRANSFORMER**

D550,619 S * 9/2007 Ricci D13/110
D686,156 S * 7/2013 Ye D13/110
8,587,399 B2 * 11/2013 Crutcher H01F 27/24
336/173

(71) Applicant: **William Charles Burwell**, Salem, OR
(US)

(72) Inventor: **William Charles Burwell**, Salem, OR
(US)

(73) Assignee: **Sentran Corporation**, Salem, OR (US)

(**) Term: **15 Years**

(21) Appl. No.: **29/562,427**

(22) Filed: **Apr. 26, 2016**

(51) **LOC (10) Cl.** **13-02**

(52) **U.S. Cl.**
USPC **D13/110**

(58) **Field of Classification Search**
USPC D13/2, 4, 101, 184, 199; 336/173-175;
361/836
CPC H01F 38/20; H01F 38/28; H01F 27/30;
H01F 27/28; H01F 27/24; Y10T 29/4902
See application file for complete search history.

(56) **References Cited**

U.S. PATENT DOCUMENTS

D260,635 S * 9/1981 Lockwood D13/110
D534,120 S * 12/2006 Ricci D13/110

* cited by examiner

Primary Examiner — Daniel Bui

Assistant Examiner — Andrew Kerr

(74) *Attorney, Agent, or Firm* — Dunlap Bennett &
Ludwig PLLC

(57) **CLAIM**

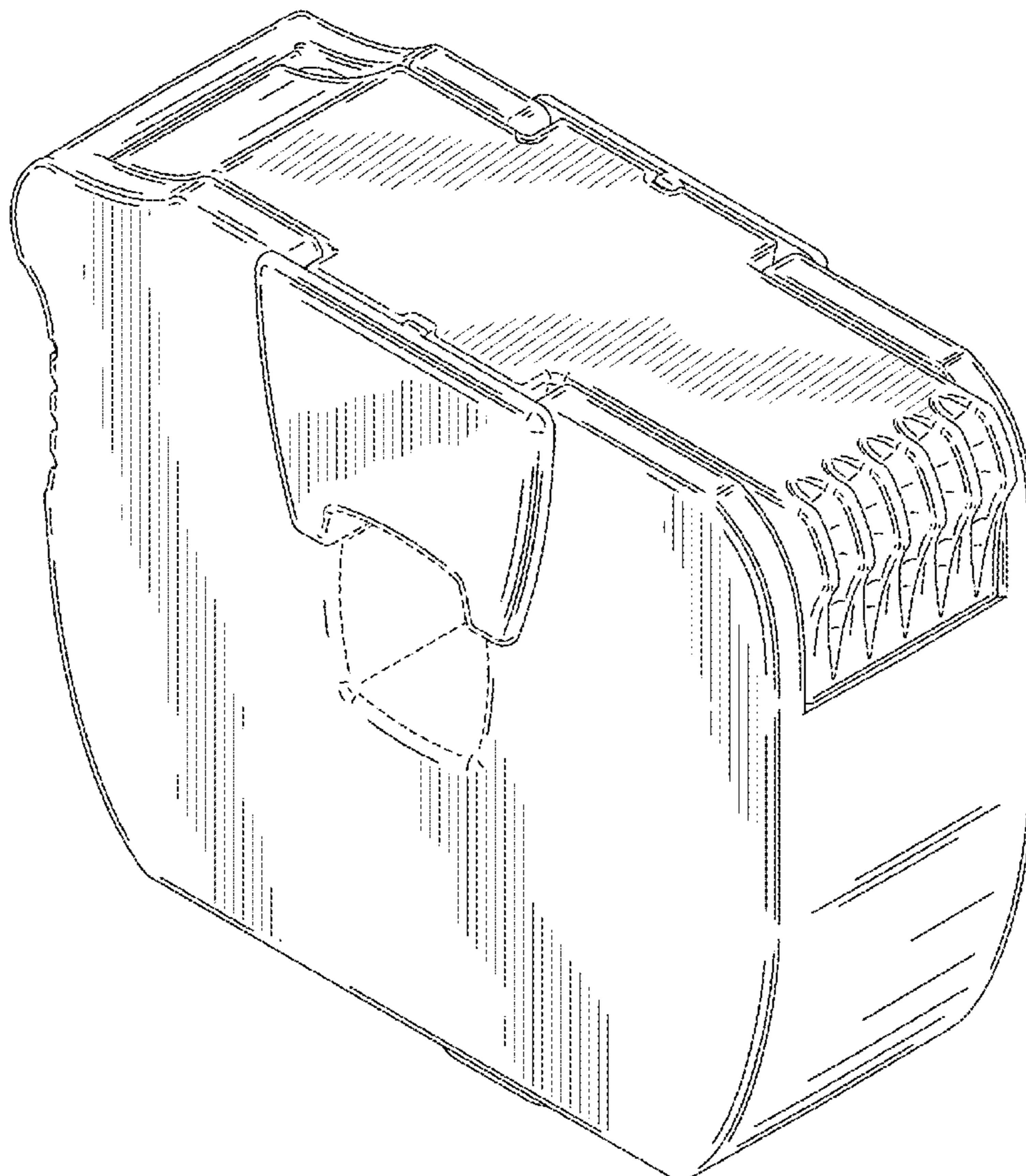
The ornamental design for a shrouded current transformer, as shown and described.

DESCRIPTION

FIG. 1 is a perspective view of a shrouded current transformer, showing my new design; FIG. 2 is a front elevation view of FIG. 1, the rear elevation view being a mirror image thereof; FIG. 3 is a top plan view of FIG. 1; FIG. 4 is a right side elevation view of FIG. 1; FIG. 5 is a left side elevation view of FIG. 1; and, FIG. 6 is a bottom plan view of FIG. 1.

The broken lines in the drawing views are included for the purpose of illustrating unclaimed environment only, and forms no part of the claimed design.

1 Claim, 3 Drawing Sheets



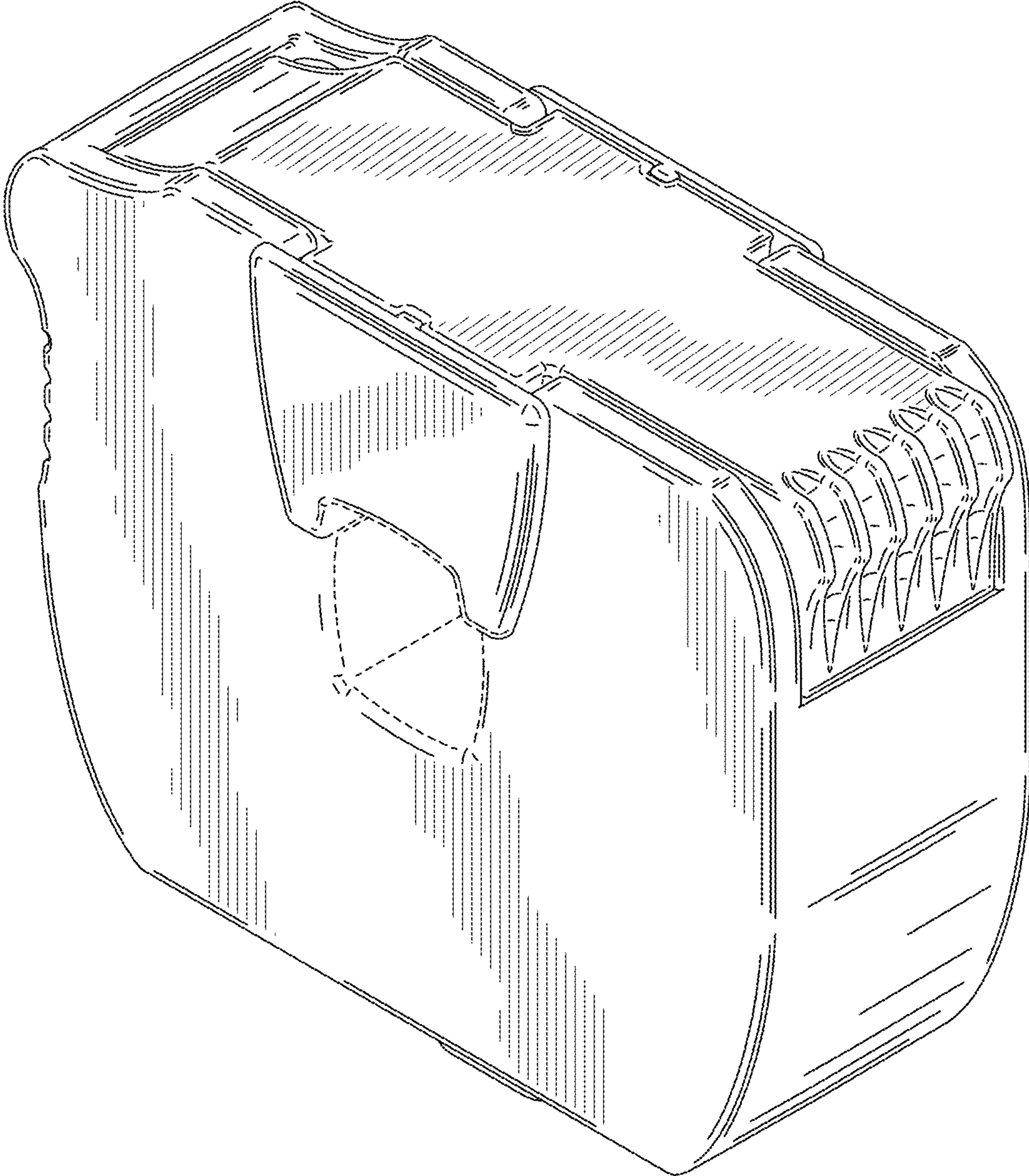


FIG. 1

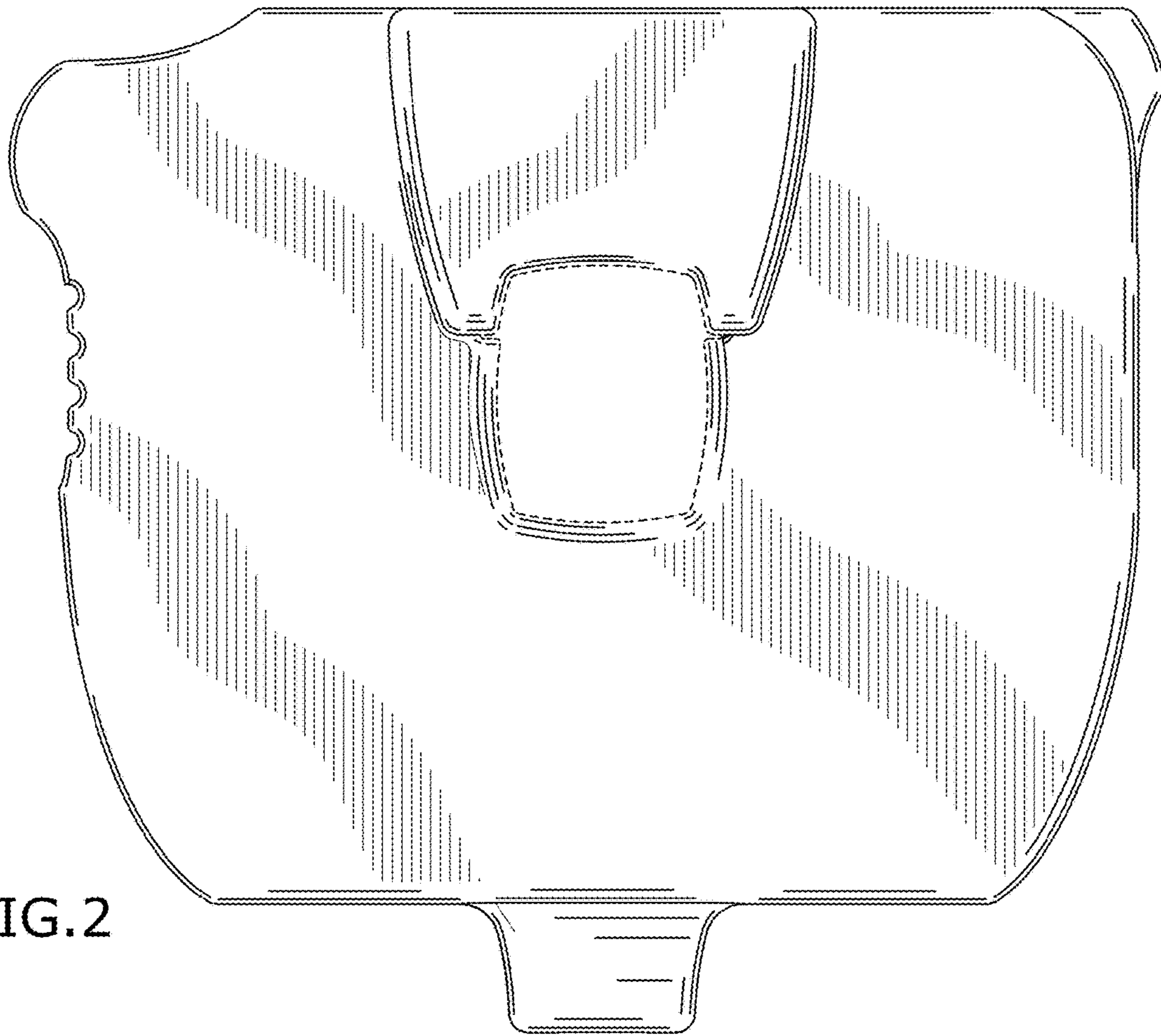


FIG. 2

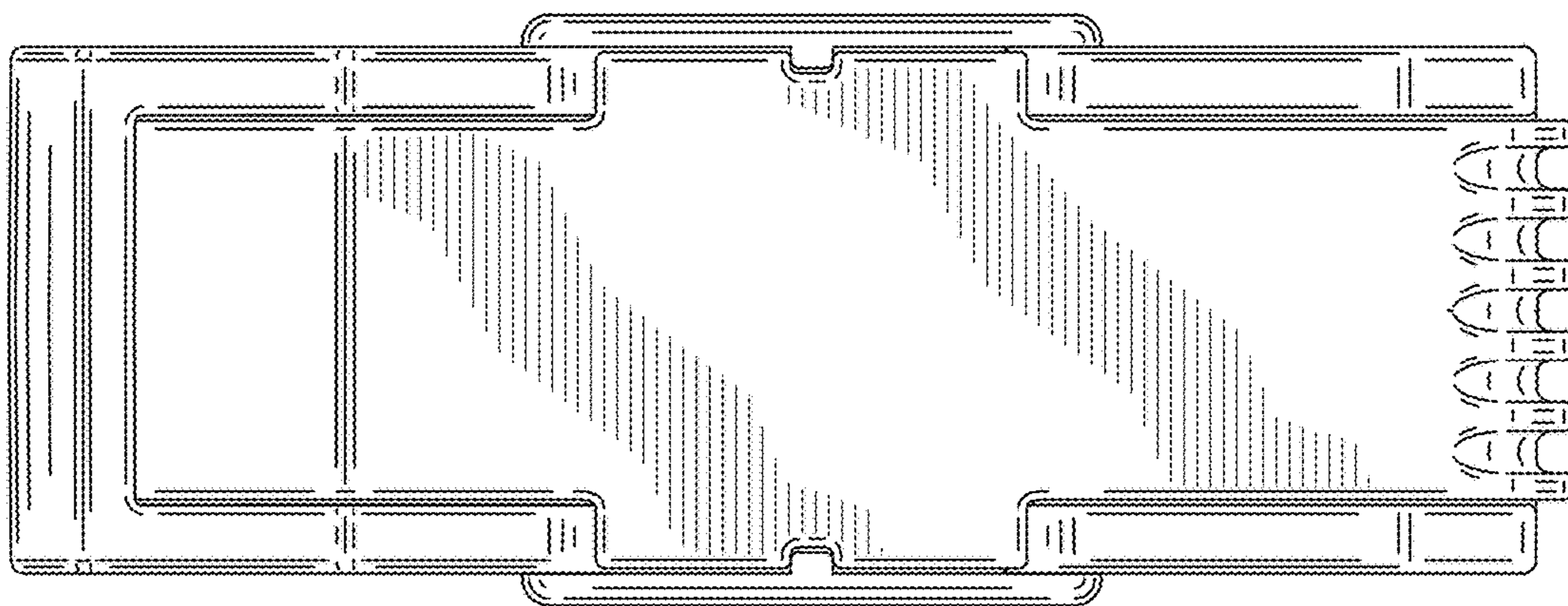


FIG. 3

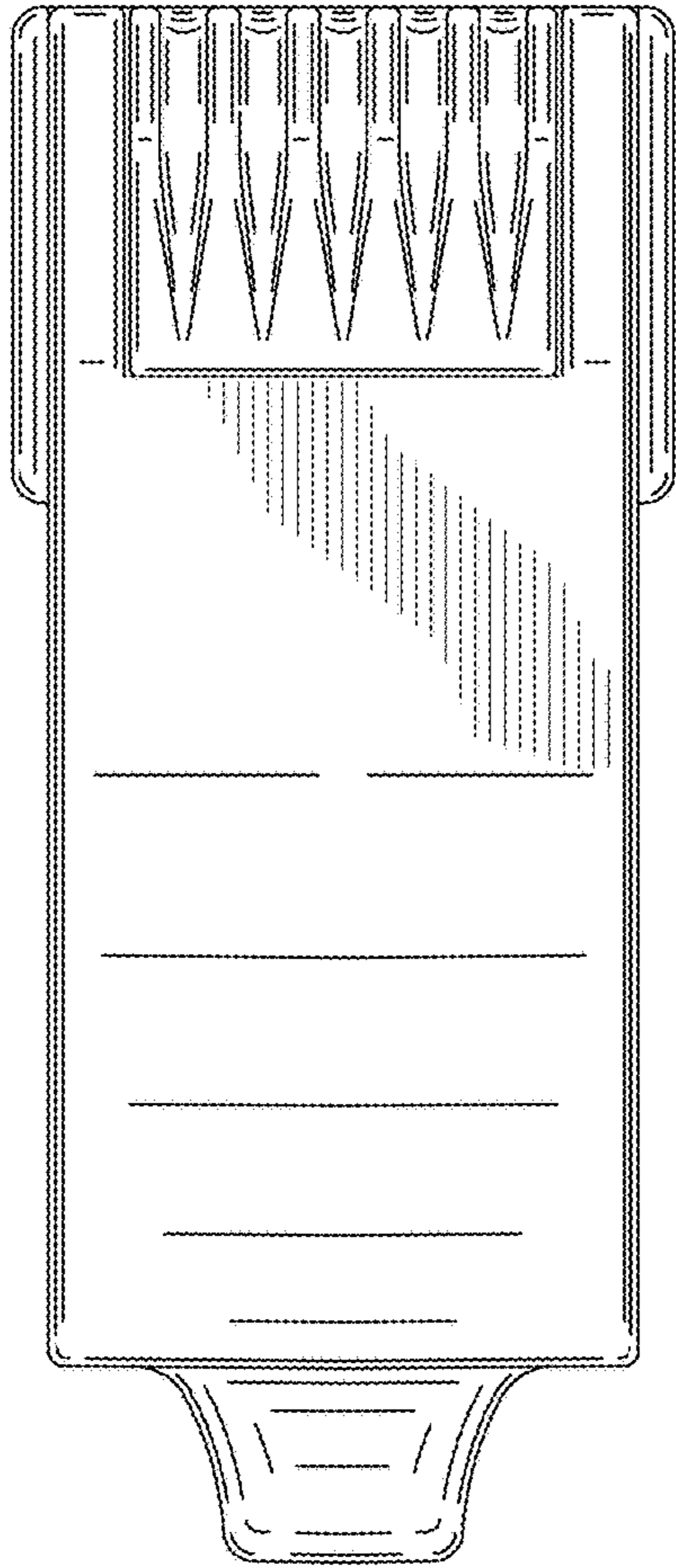


FIG. 4

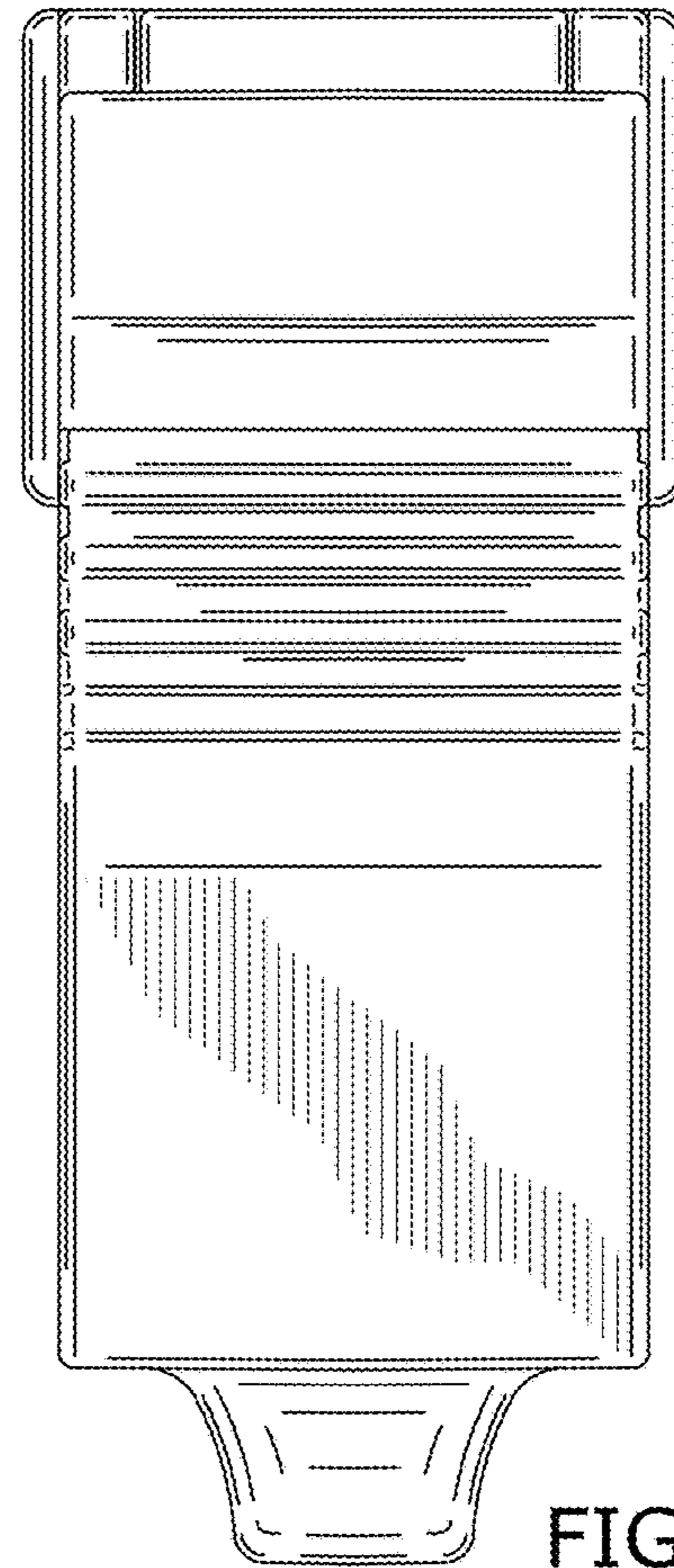


FIG. 5

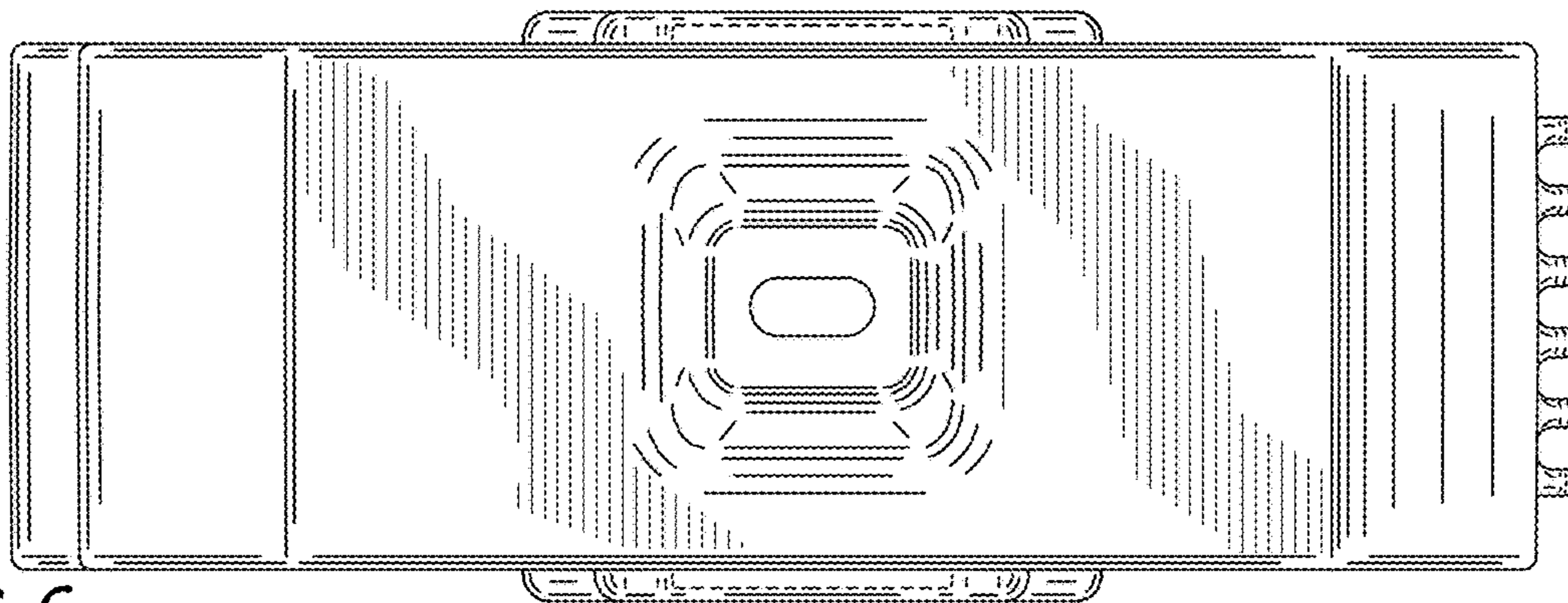


FIG. 6