



US00D783526S

(12) **United States Design Patent** (10) **Patent No.:** **US D783,526 S**
Warren (45) **Date of Patent:** **** Apr. 11, 2017**

(54) **CHARGER**
(71) Applicant: **William J Warren**, Frisco, TX (US)
(72) Inventor: **William J Warren**, Frisco, TX (US)
(**) Term: **15 Years**
(21) Appl. No.: **29/557,722**
(22) Filed: **Mar. 20, 2016**
(51) **LOC (10) Cl.** **13-02**
(52) **U.S. Cl.**
USPC **D13/108**
(58) **Field of Classification Search**
USPC D13/107–110, 117–119, 184, 153;
D14/251, 253, 432, 434
CPC Y02E 60/12; Y02T 90/14; Y02T 90/122;
Y02T 90/128; Y02T 90/163; H02M 3/18;
H02J 7/025; H02J 7/0042; H02J 7/0044;
H02J 7/0045; H02J 7/0003; H01F 38/14;
H01R 13/6675; H01M 2/1022; H01M
2/1055; H01M 10/44; H01M 10/46;
H01M 10/425
See application file for complete search history.

(56) **References Cited**
U.S. PATENT DOCUMENTS
D456,008 S * 4/2002 Kawanobe D13/110
D628,537 S * 12/2010 Nagata D13/147
D636,337 S * 4/2011 Smith D13/147
D646,632 S * 10/2011 Hogen D13/110
D673,908 S * 1/2013 Koch D13/108
D719,092 S * 12/2014 Huang D13/110
D720,692 S * 1/2015 Matsuoka D13/110
D725,034 S * 3/2015 Chen D13/108
D738,301 S * 9/2015 Symons D13/107
D742,311 S * 11/2015 Miller D13/103
D757,649 S * 5/2016 Pisharodi D13/107
D762,164 S * 7/2016 Lin D13/103

D762,570 S * 8/2016 Precheur D13/108
D763,188 S * 8/2016 Park D13/108
D763,791 S * 8/2016 Park D13/108
D765,593 S * 9/2016 Hoshikawa D13/103
D765,597 S * 9/2016 Kim D13/108
D766,822 S * 9/2016 Esses D13/107
D776,665 S * 1/2017 Karlsson D14/432
2003/0037954 A1 * 2/2003 Wu H01R 13/6675
174/92
2010/0084917 A1 * 4/2010 Tsao H01R 13/6675
307/31
2011/0062783 A1 * 3/2011 Ma H02J 7/0042
307/48
2011/0241614 A1 * 10/2011 Yeh H02J 7/0027
320/108
2011/0241615 A1 * 10/2011 Yeh H02J 7/0027
320/108
2014/0340030 A1 * 11/2014 Jung H02J 7/025
320/108

(Continued)

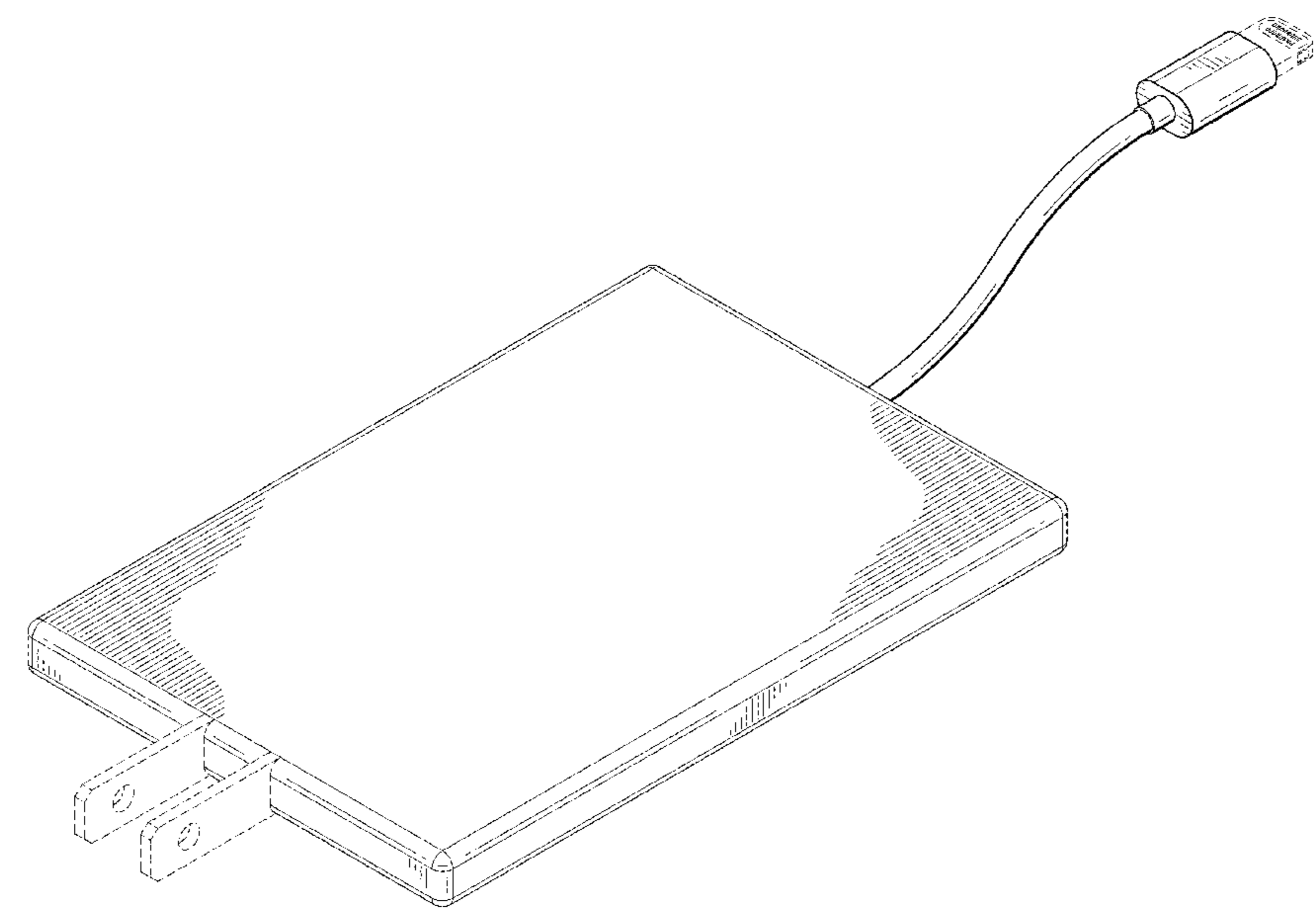
Primary Examiner — Rosemary K Tarcza
Assistant Examiner — Christy Nemeth

(57) **CLAIM**
The ornamental design for a charger, as shown and described.

DESCRIPTION

FIG. 1 is a top perspective view of a charger showing my new design;
FIG. 2 is a front view thereof;
FIG. 3 is a rear view thereof;
FIG. 4 is a right view thereof;
FIG. 5 is a left view thereof;
FIG. 6 is a top plan view thereof; and,
FIG. 7 is a bottom plan view thereof.
The broken lines in the drawings are for the purpose of illustrating elements of the charger that form no part of the claimed design.

1 Claim, 5 Drawing Sheets



(56)

References Cited

U.S. PATENT DOCUMENTS

2015/0288205 A1* 10/2015 Weinstein H02J 7/0044
320/107
2016/0149353 A1* 5/2016 Chen H01R 13/6675
439/490
2016/0322852 A1* 11/2016 Yeh H02J 7/025
2016/0372975 A1* 12/2016 Jang H02J 50/10
2016/0380457 A1* 12/2016 Criss H02J 7/0027
320/107

* cited by examiner

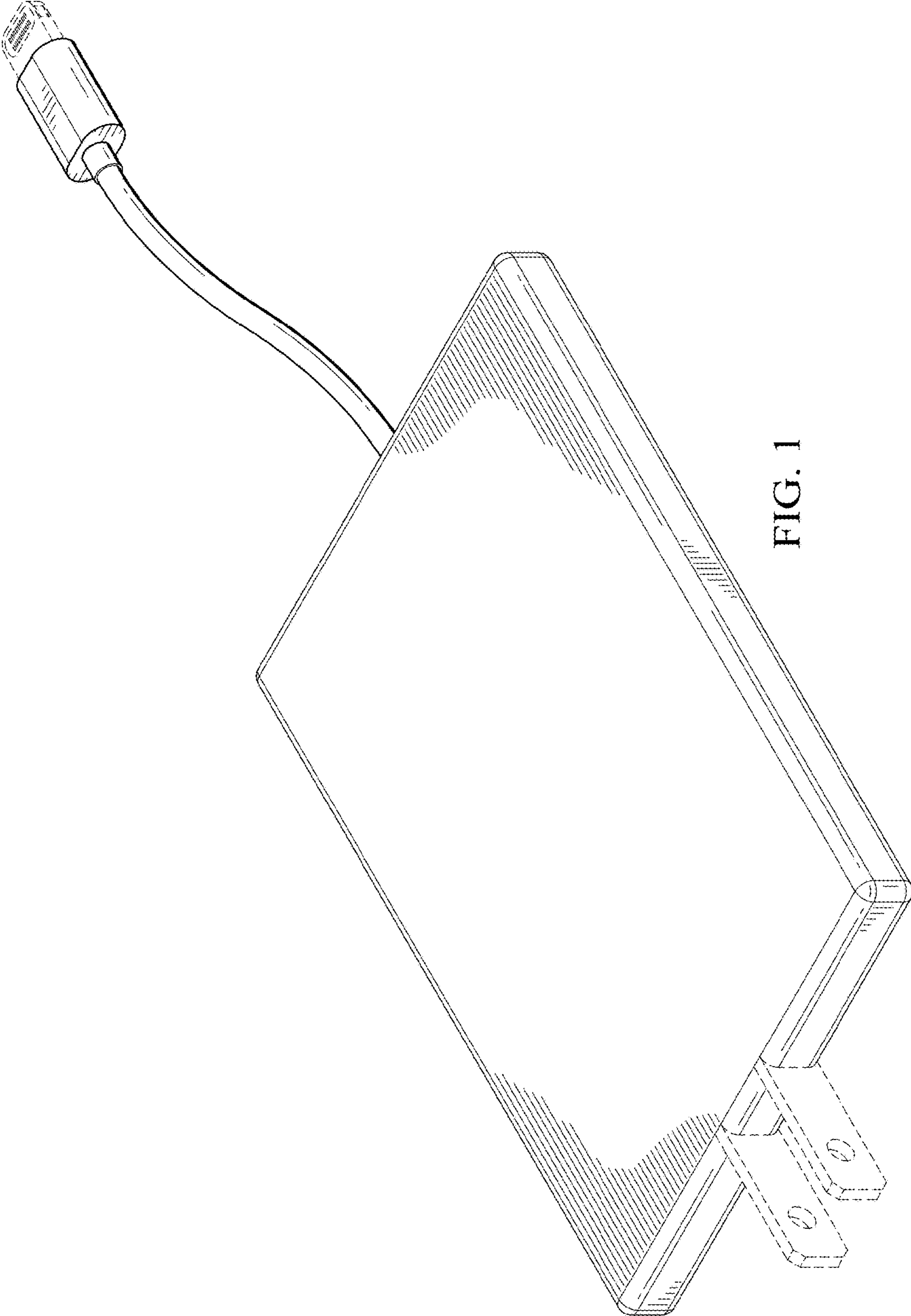


FIG. 1

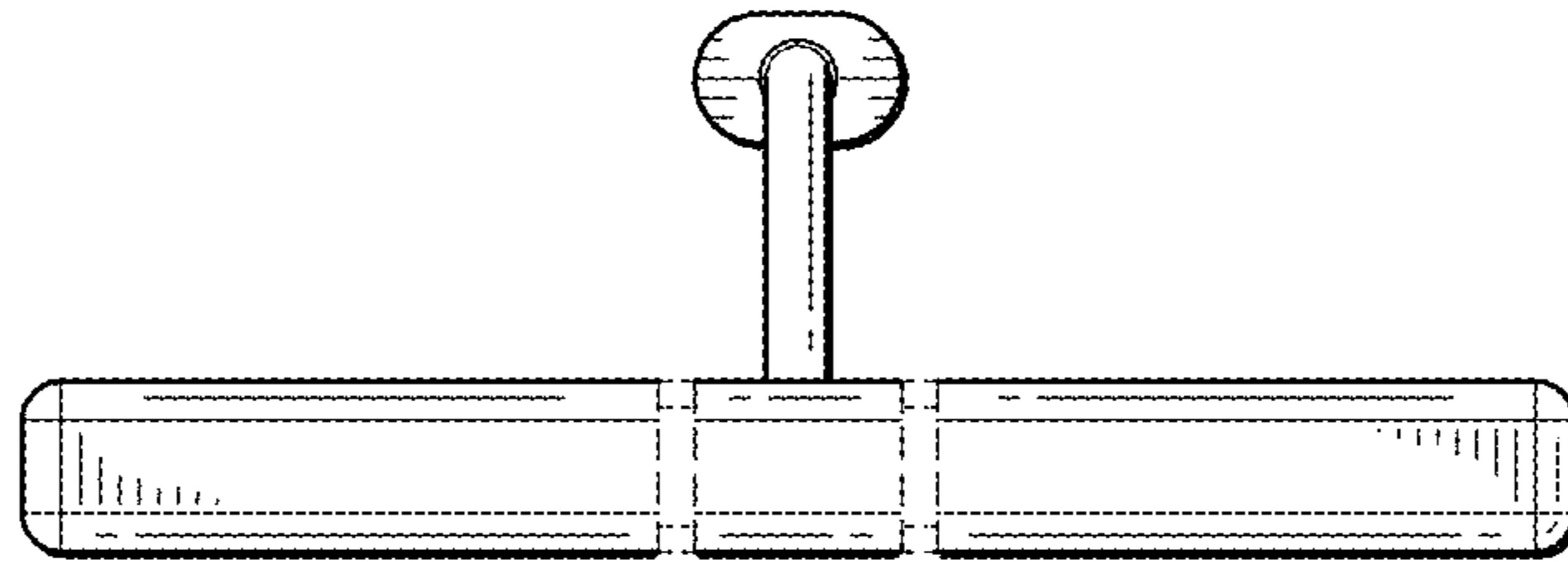


FIG. 2

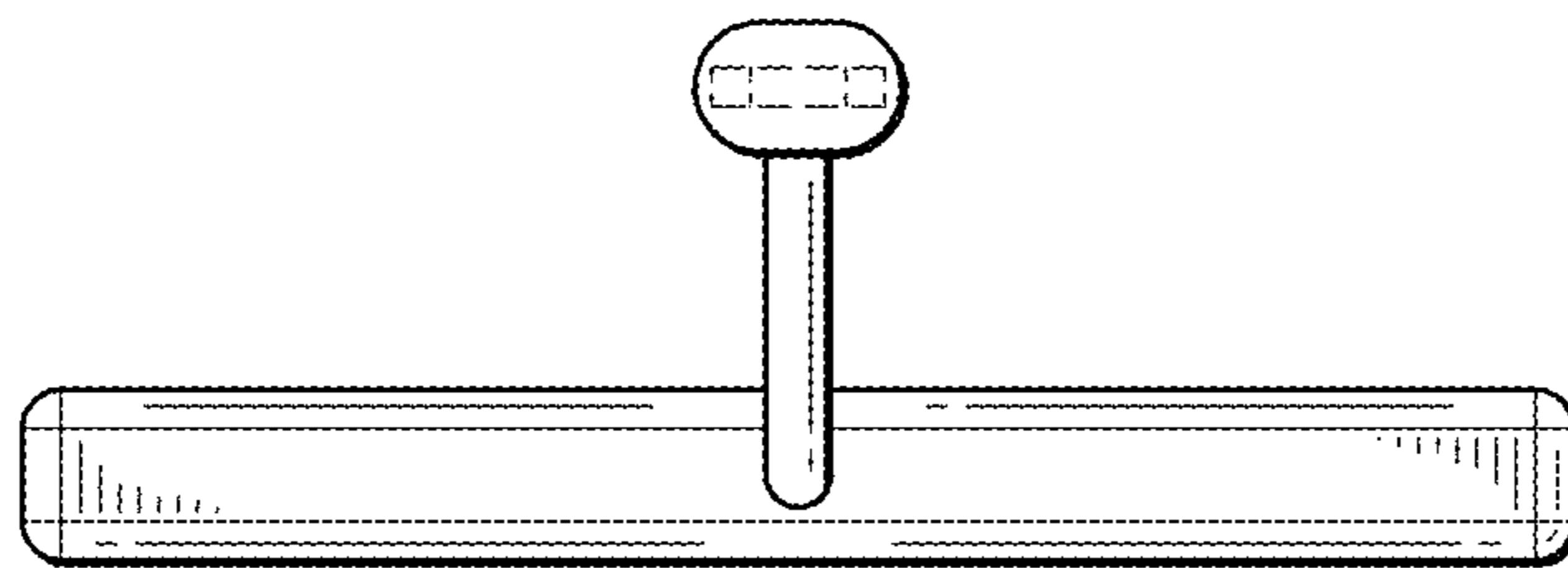


FIG. 3

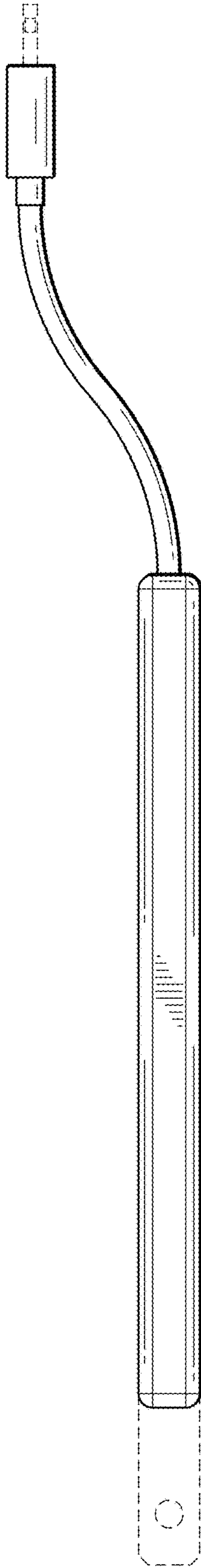


FIG. 4

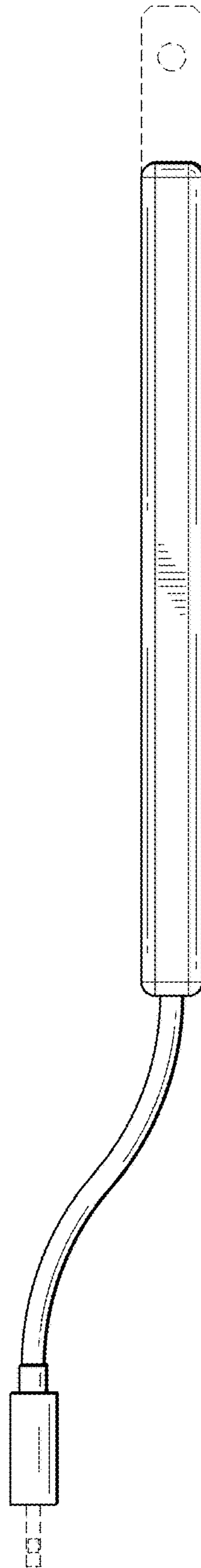


FIG. 5

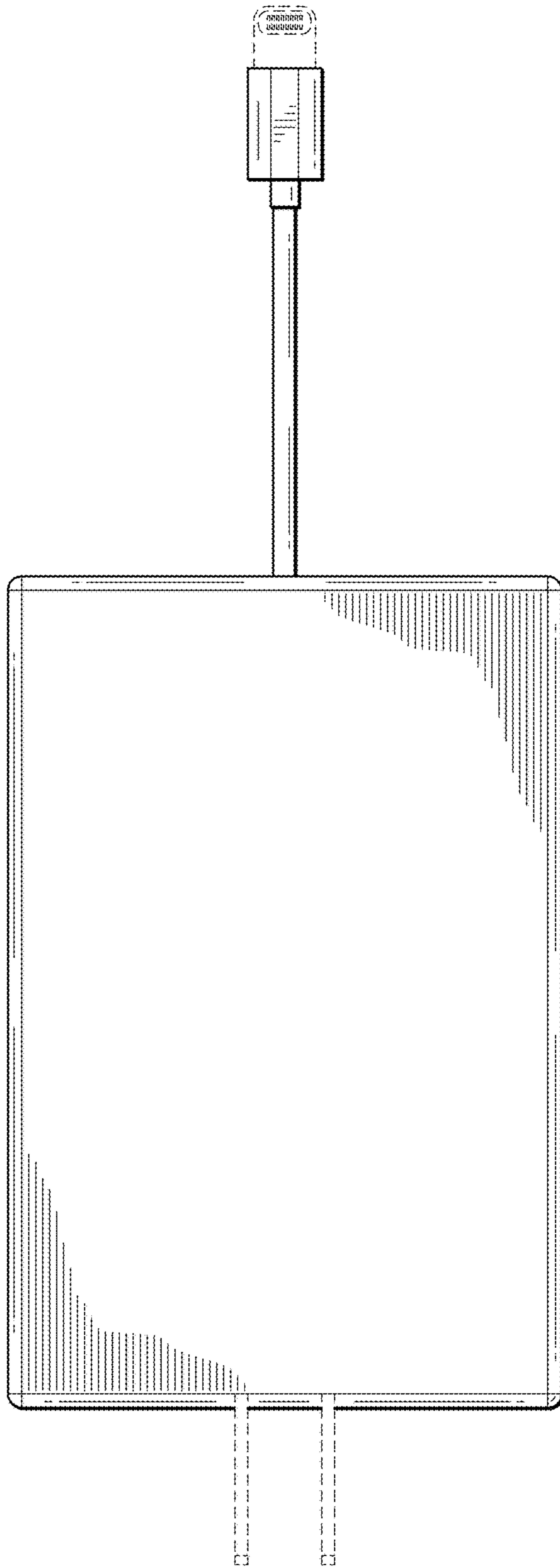


FIG. 6

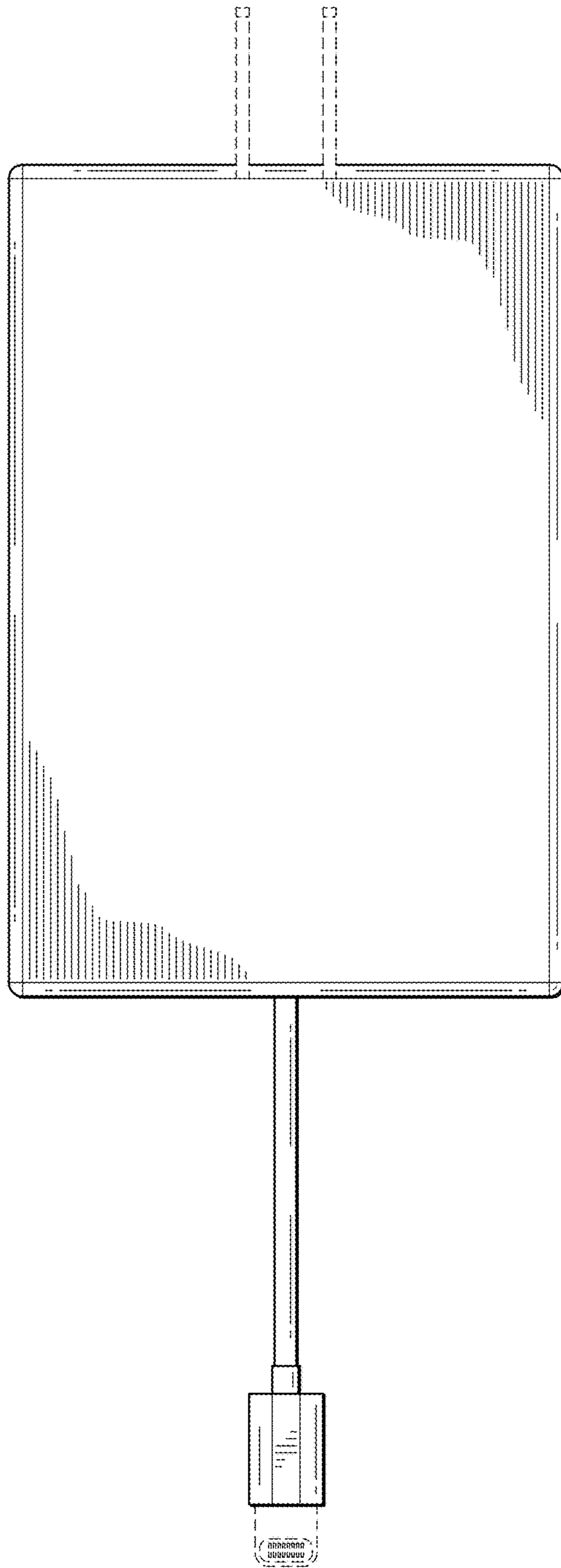


FIG. 7