



US00D783525S

(12) **United States Design Patent**
Gupta et al.

(10) **Patent No.:** **US D783,525 S**

(45) **Date of Patent:** **** Apr. 11, 2017**

(54) **COMBINATION BATTERY, CHARGER AND CABLES FOR ELECTRONIC EQUIPMENT**

(71) Applicants: **Sumeet Kumar Gupta**, Santa Monica, CA (US); **Joseph Bryant Carrillo**, Los Angeles, CA (US)

(72) Inventors: **Sumeet Kumar Gupta**, Santa Monica, CA (US); **Joseph Bryant Carrillo**, Los Angeles, CA (US)

(**) Term: **15 Years**

(21) Appl. No.: **29/544,013**

(22) Filed: **Oct. 29, 2015**

Related U.S. Application Data

(63) Continuation-in-part of application No. 29/513,788, filed on Jan. 5, 2015, now Pat. No. Des. 742,312.

(51) **LOC (10) Cl.** **13-02**

(52) **U.S. Cl.**
USPC **D13/108**

(58) **Field of Classification Search**
USPC D13/107-110, 118-119, 184, 199;
D14/251, 253, 432, 434
CPC Y02E 60/12; Y02T 90/14; Y02T 90/122;
Y02T 90/128; Y02T 90/163; H02J 7/025;
H02J 7/0042; H02J 7/0044; H02J 7/0045;
H02J 7/0003; H01F 38/14; H01R
13/6675; H01M 2/1022; H01M 2/1055;
H01M 10/44; H01M 10/46; H01M
10/425; B60L 11/182
See application file for complete search history.

(56) **References Cited**

U.S. PATENT DOCUMENTS

D628,153 S * 11/2010 Fujii D13/108
D628,535 S * 12/2010 Cheng D13/108

D656,096 S * 3/2012 Sasada D13/108
D659,094 S * 5/2012 Brand D13/108
D663,684 S * 7/2012 Yang D13/108
D663,685 S * 7/2012 Yang D13/108
D680,063 S * 4/2013 Sasada D13/103
D682,196 S * 5/2013 Leung D13/103
D682,197 S * 5/2013 Leung D13/103
D697,867 S * 1/2014 Weinstein D13/108
D713,785 S * 9/2014 Tehrani D13/103
D715,219 S * 10/2014 Cypress D13/103

(Continued)

Primary Examiner — Rosemary K Tarcza

(74) *Attorney, Agent, or Firm* — Quickpatents, LLC;
Kevin Prince

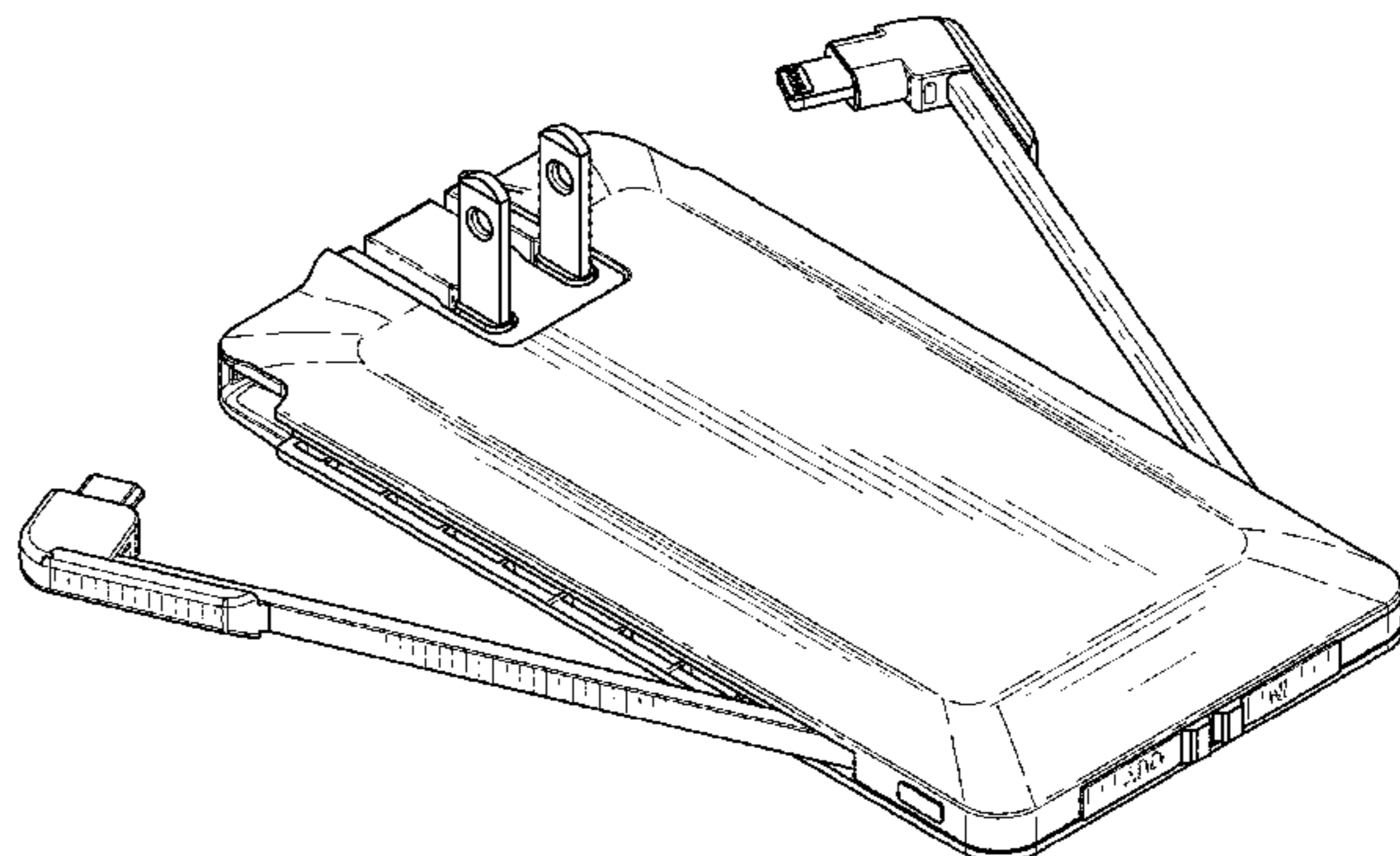
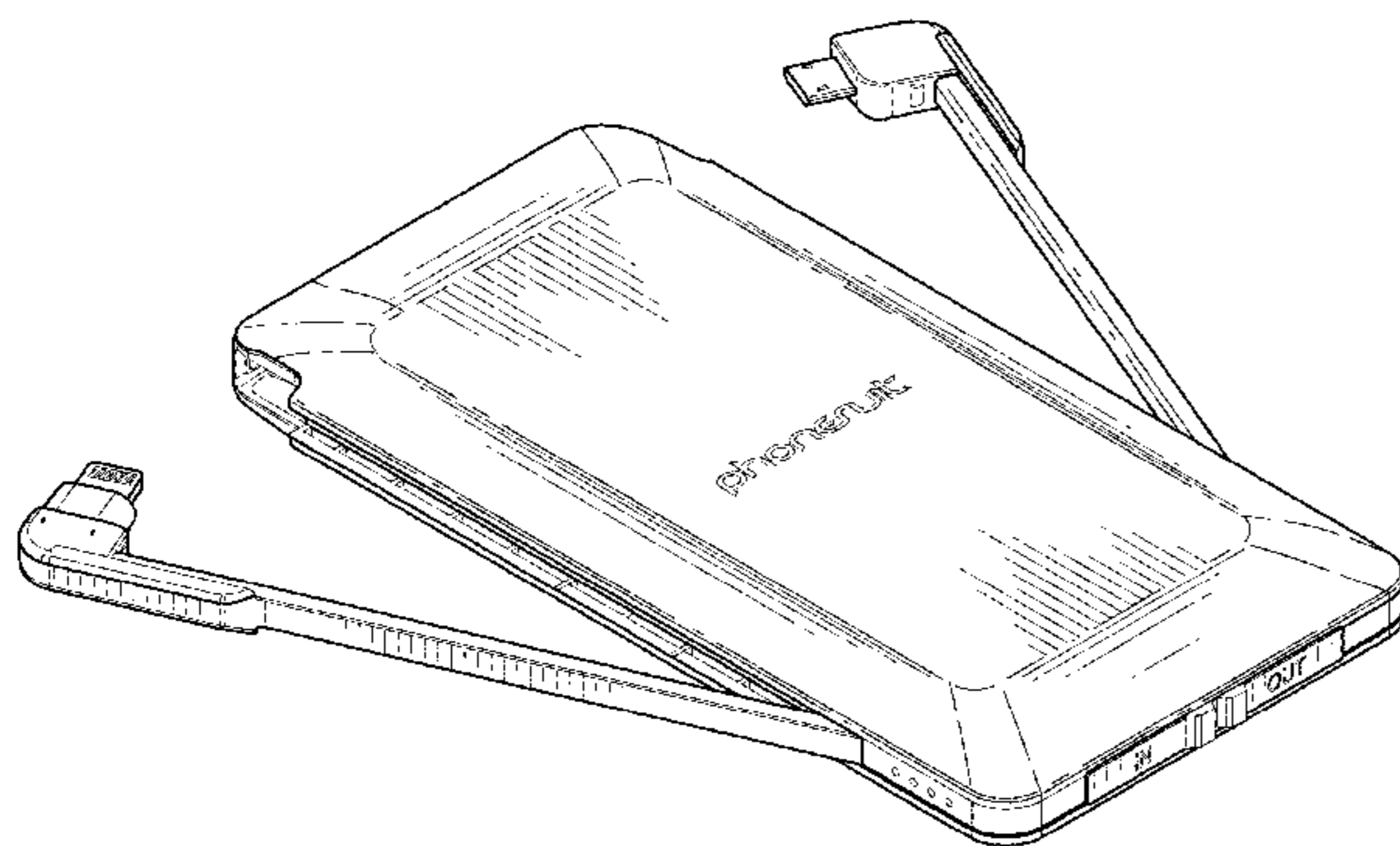
(57) **CLAIM**

We claim the ornamental design for a combination battery, charger and cables for electronic equipment, as shown and described.

DESCRIPTION

FIG. 1 is a front perspective view of a combination battery, charger and cables for electronic equipment, showing our new design;
FIG. 2 is a rear perspective view thereof;
FIG. 3 is a front perspective view thereof;
FIG. 4 is a rear perspective view of FIG. 3;
FIG. 5 is a top plan view of FIG. 3;
FIG. 6 is a bottom plan view of FIG. 3;
FIG. 7 is a right-side elevational view of FIG. 3;
FIG. 8 is a left-side elevational view of FIG. 3;
FIG. 9 is a front elevational view of FIG. 3; and,
FIG. 10 is a rear elevational view of FIG. 3.
The broken lines shown in the drawings are included for the purpose of illustrating unclaimed portions of the article and form no part of the claimed design.

1 Claim, 4 Drawing Sheets



(56)

References Cited

U.S. PATENT DOCUMENTS

D722,961	S *	2/2015	Lin	D13/103
D727,257	S *	4/2015	Miller	D13/103
D727,258	S *	4/2015	Miller	D13/103
D737,761	S *	9/2015	Zhuang	D13/108
D742,311	S *	11/2015	Miller	D13/103
D742,312	S *	11/2015	Gupta	D13/103
D745,456	S *	12/2015	Fung	D13/108
D758,307	S *	6/2016	Stump	D13/108
D762,570	S *	8/2016	Precheur	D13/108
D764,404	S *	8/2016	Lau	D13/103
2013/0150134	A1 *	6/2013	Pliner	H02J 7/0042 455/573
2014/0042969	A1 *	2/2014	Miller	H02J 7/0042 320/111
2015/0028797	A1 *	1/2015	Miller	H02J 7/0042 320/103

* cited by examiner

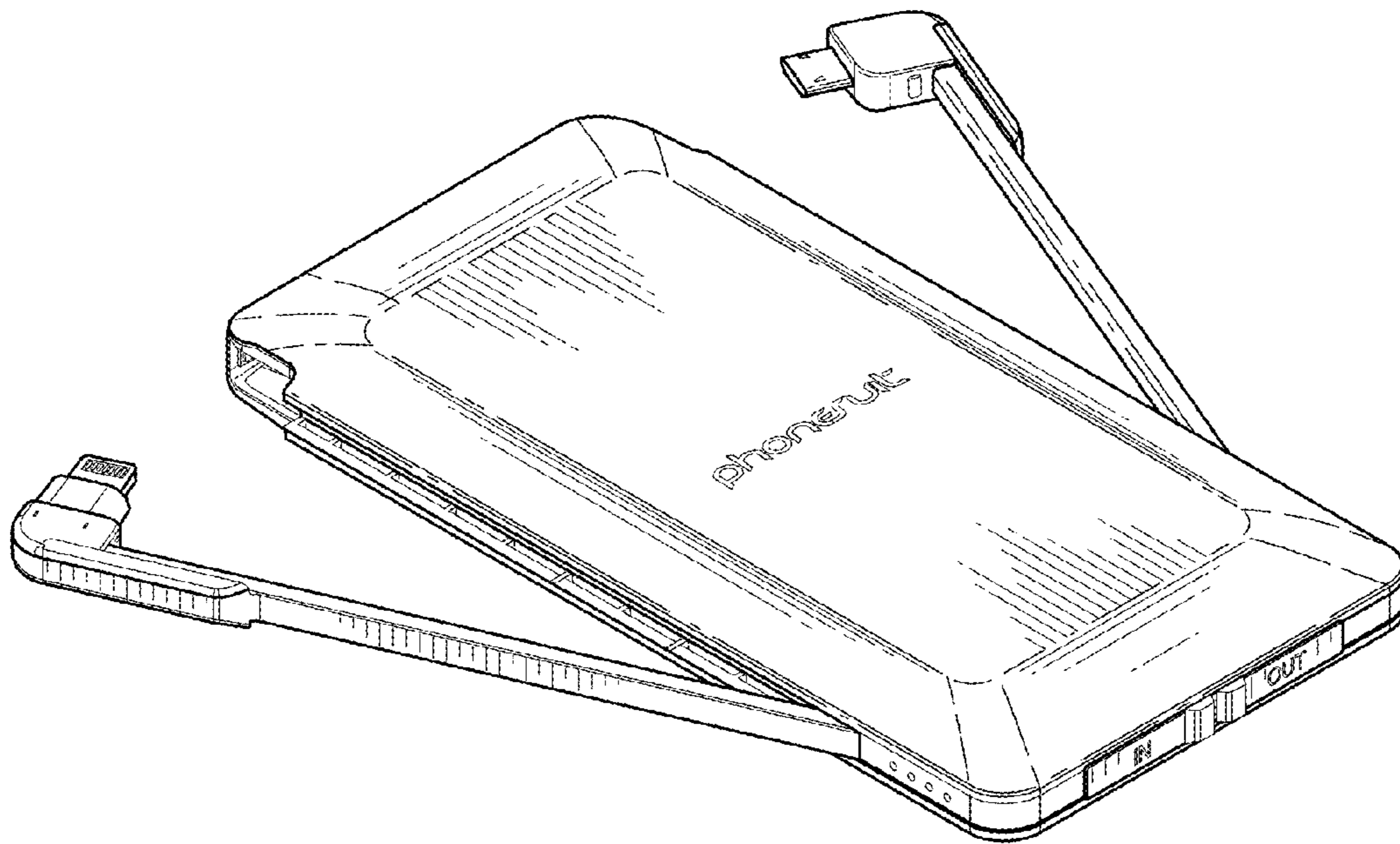


FIG. 1

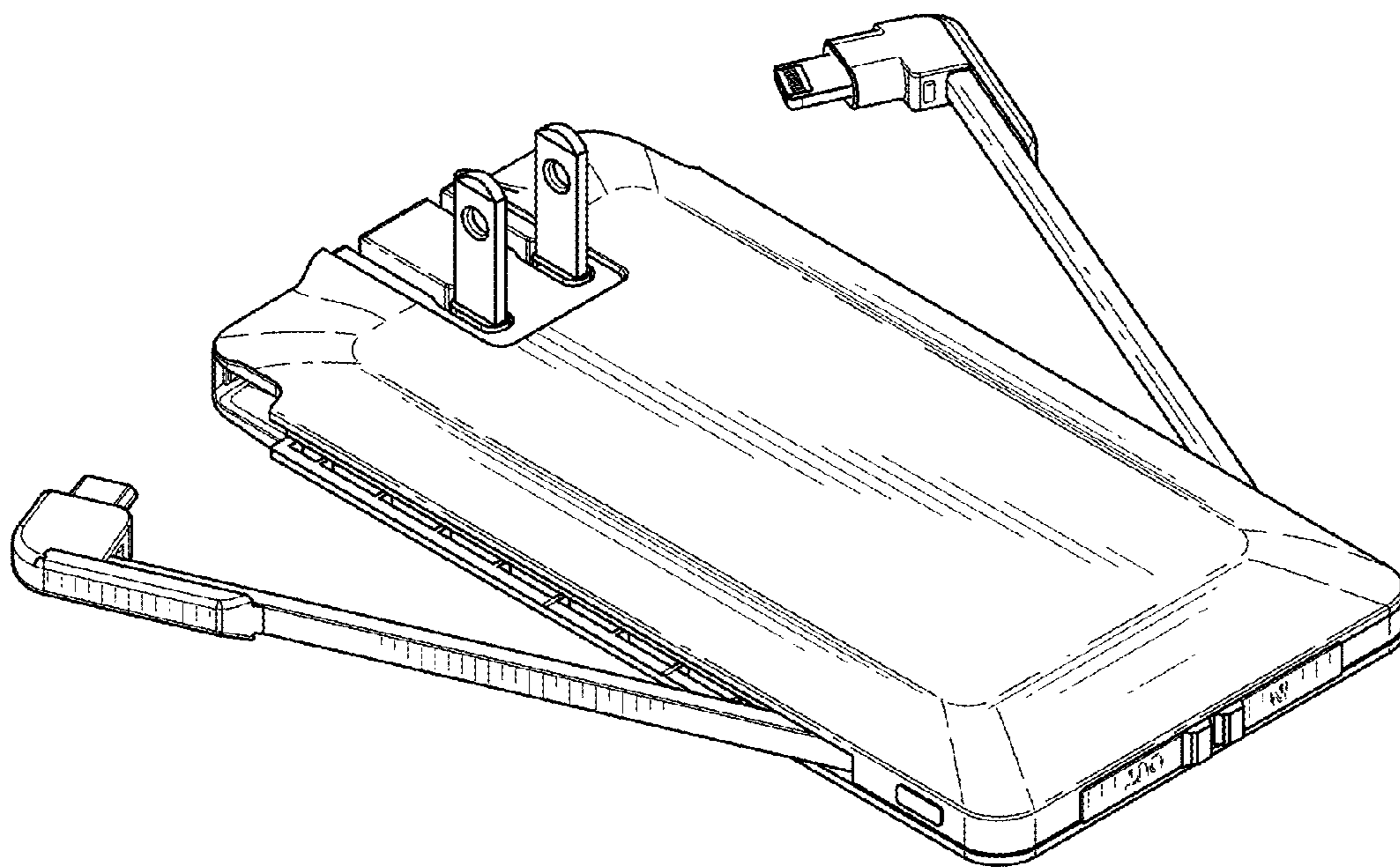


FIG. 2

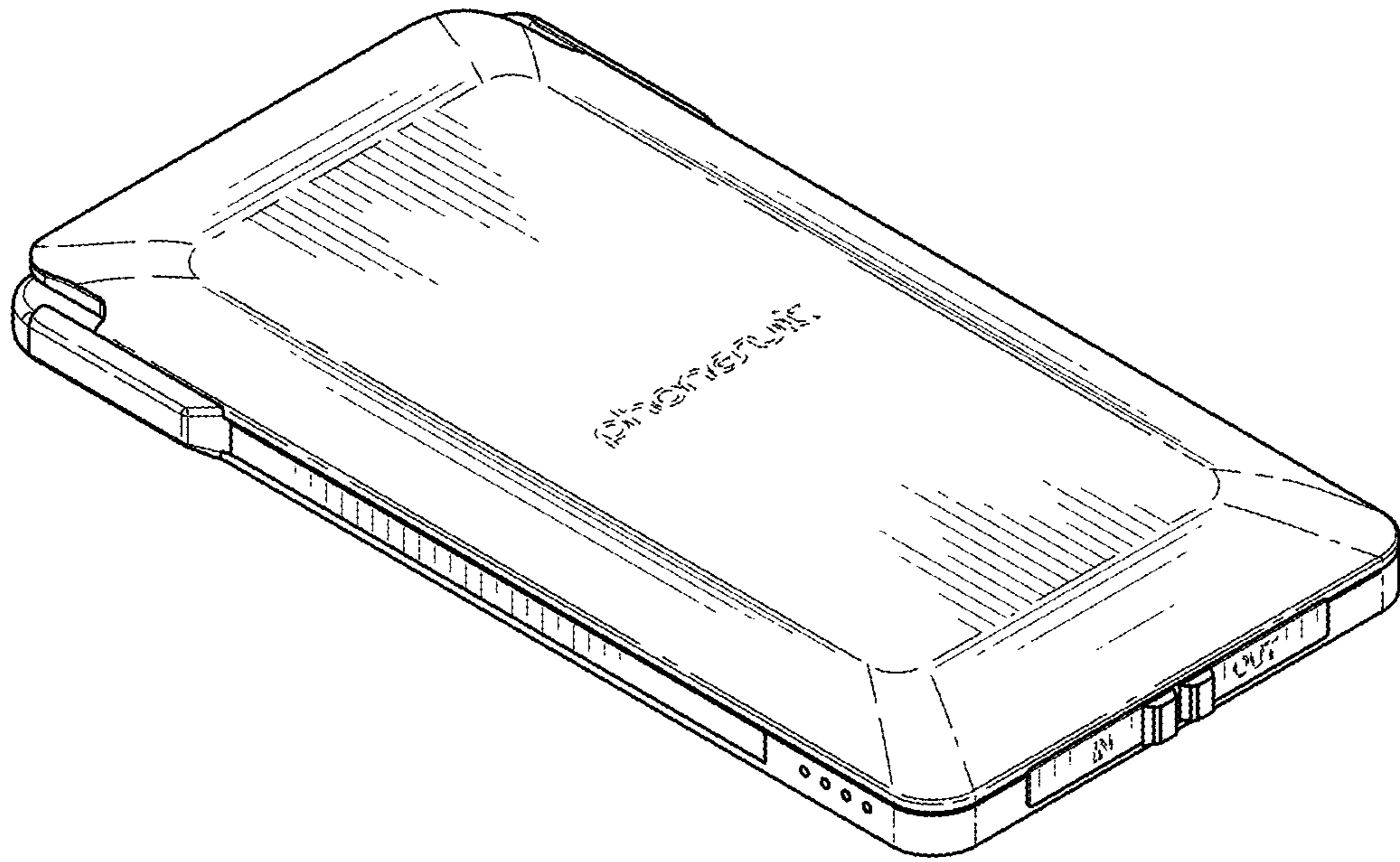


FIG. 3

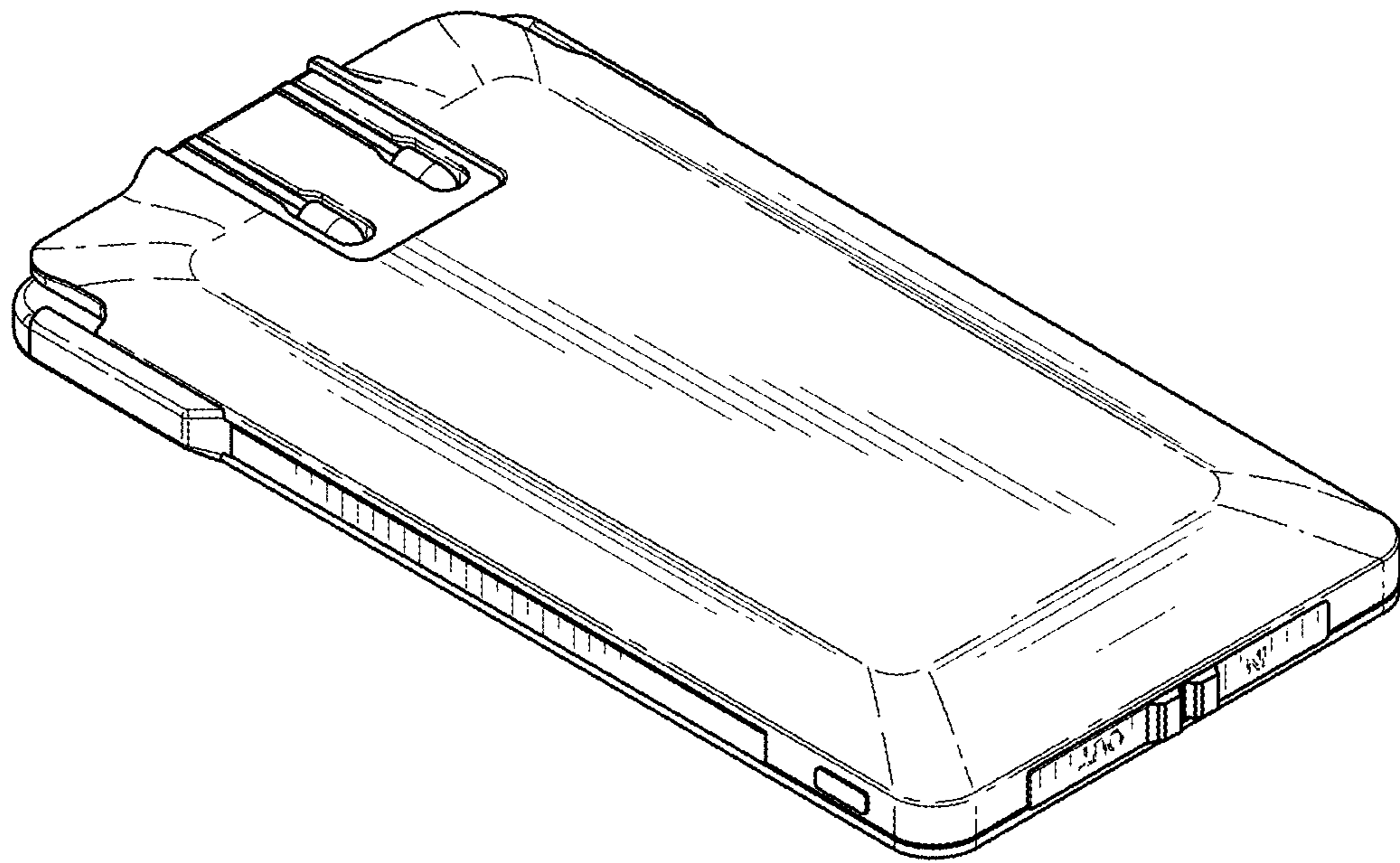


FIG. 4

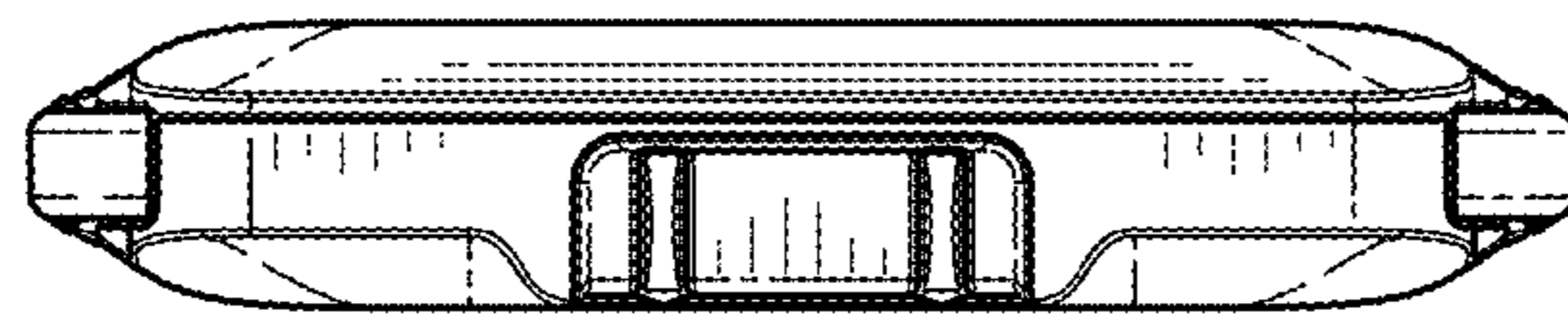


FIG. 5

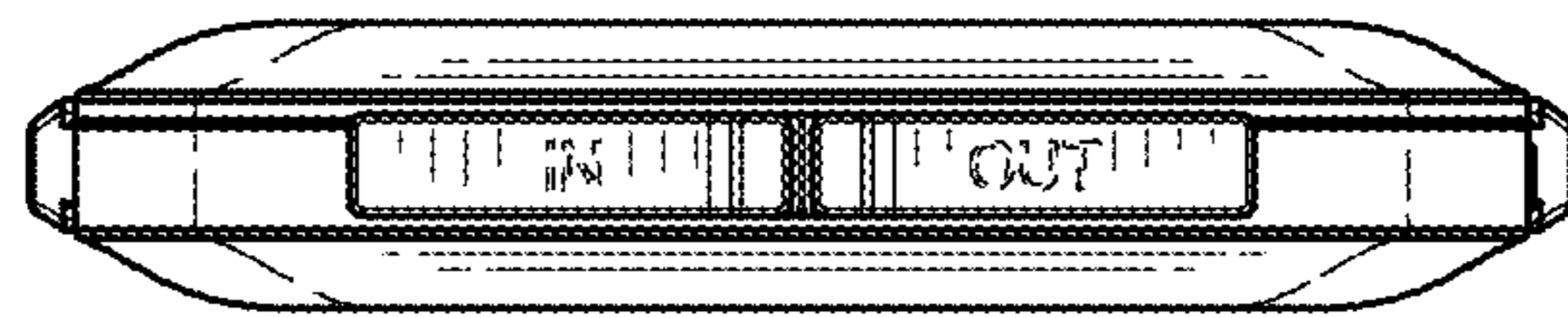


FIG. 6

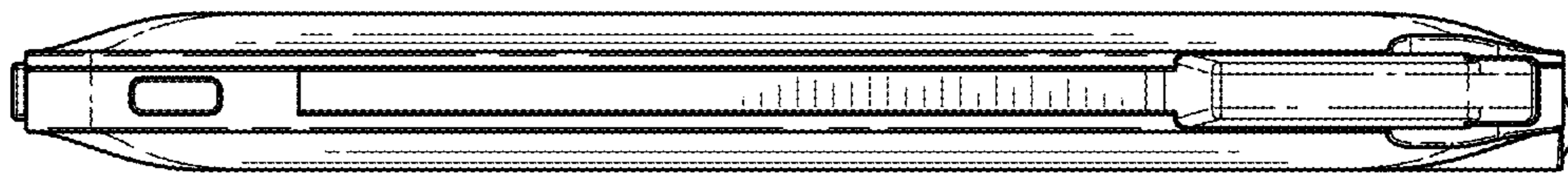


FIG. 7

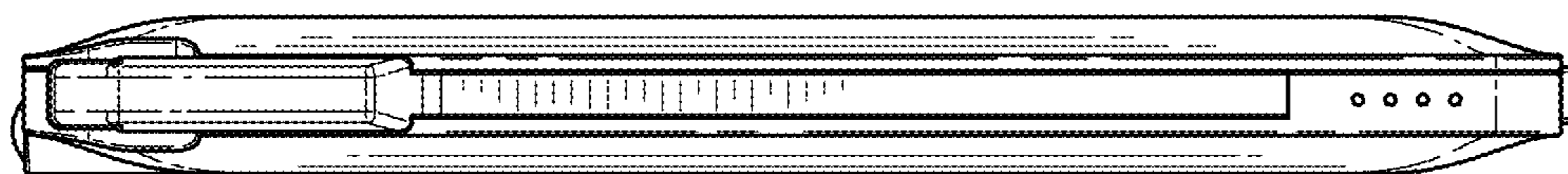


FIG. 8

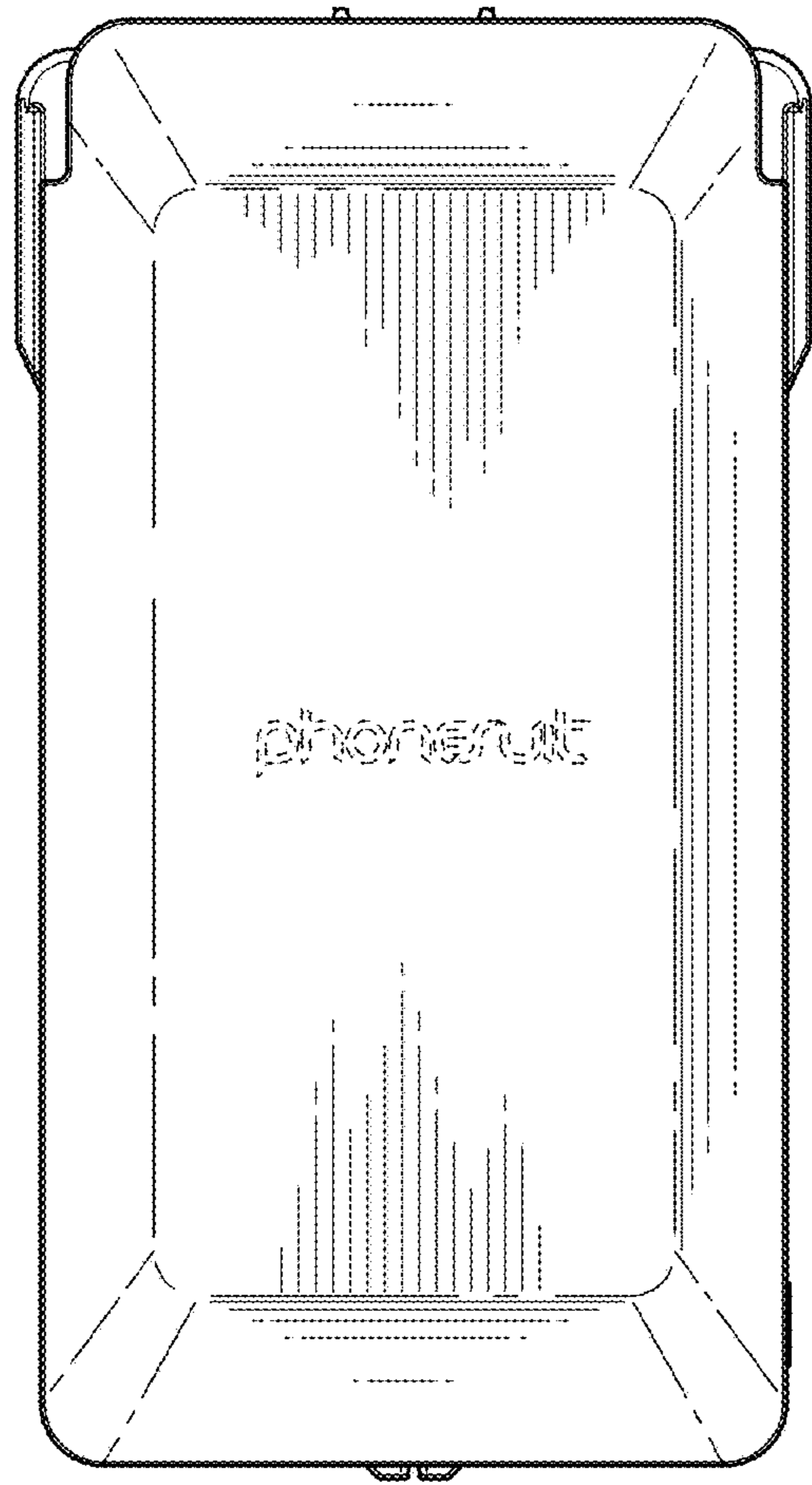


FIG. 9

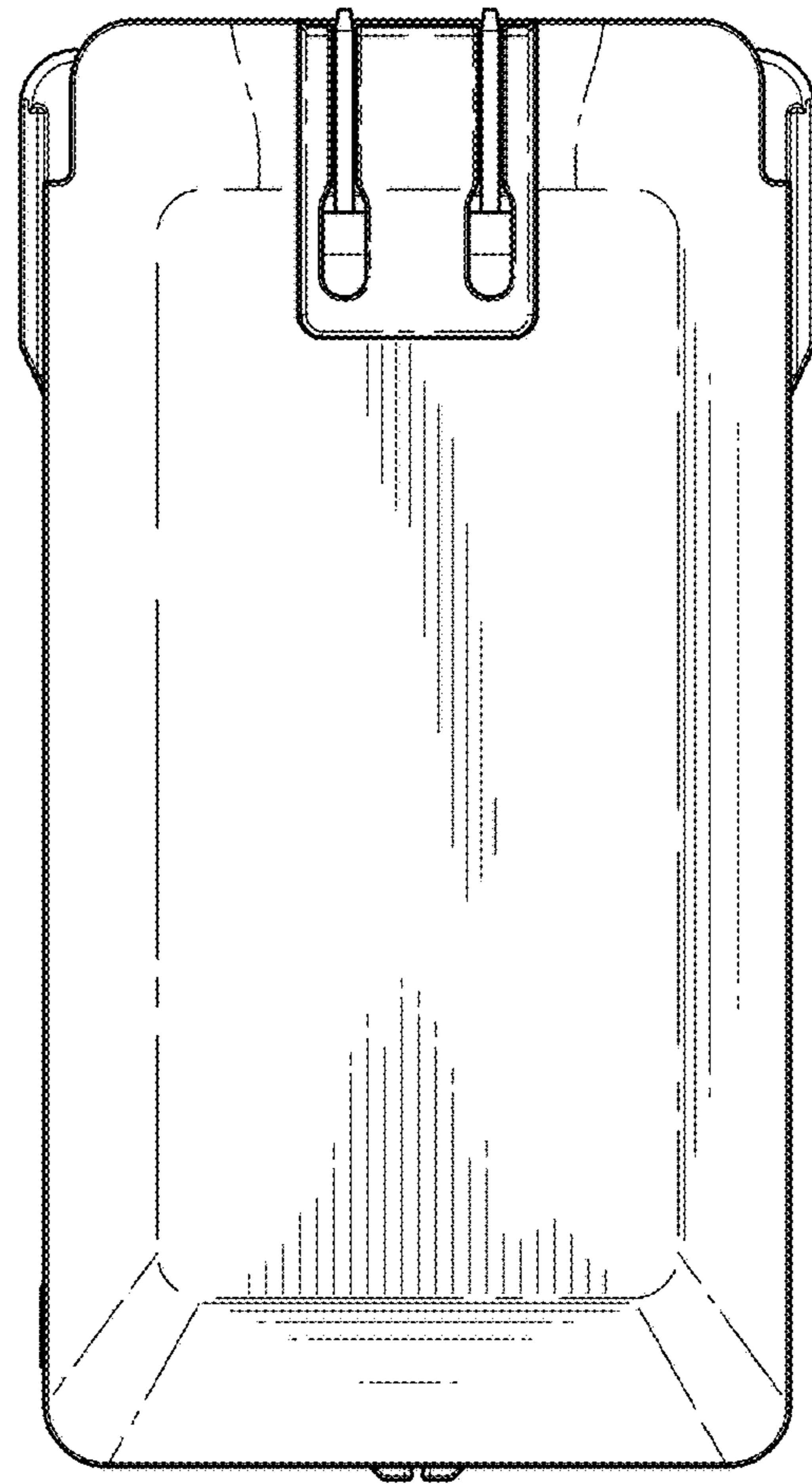


FIG. 10