



US00D783524S

(12) **United States Design Patent** (10) **Patent No.:** **US D783,524 S**
Ju (45) **Date of Patent:** **** Apr. 11, 2017**

(54) **RING CHARGING BASE**
(71) Applicant: **Qingsong Ju**, Campell, CA (US)
(72) Inventor: **Qingsong Ju**, Campell, CA (US)
(**) Term: **15 Years**
(21) Appl. No.: **29/527,257**
(22) Filed: **May 18, 2015**
(51) **LOC (10) Cl.** **13-02**
(52) **U.S. Cl.**
USPC **D13/108**
(58) **Field of Classification Search**
USPC D14/107-110, 118-119, 184; D13/251,
D13/253, 432, 434
CPC Y02E 60/12; Y02T 90/14; Y02T 90/122;
Y02T 90/128; Y02T 90/163; H02J 7/025;
H02J 7/0042; H02J 7/0044; H02J 7/0045;
H02J 7/0003; H01F 38/14; H01R
13/6675; H01M 2/1022; H01M 2/1055;
H01M 10/44; H01M 10/46; H01M
10/425; B60L 11/182
See application file for complete search history.

D668,218 S * 10/2012 Dai D13/107
D692,376 S * 10/2013 Palmer D13/108
D694,177 S * 11/2013 Bennett D13/107
D734,717 S * 7/2015 Dvorak D13/107
D743,334 S * 11/2015 Peek D13/108
D758,306 S * 6/2016 Colle D13/108
2010/0102777 A1* 4/2010 Sa H02J 7/0044
320/115

* cited by examiner

Primary Examiner — Rosemary K Tarcza
Assistant Examiner — Nathaniel D Buckner
(74) *Attorney, Agent, or Firm* — Steven A. Nielsen;
www.NielsenPatents.com

(57) **CLAIM**

The ornamental design for a ring charging base, as shown and described.

DESCRIPTION

FIG. 1 is a perspective front and top view of a ring charging base showing the new design;
FIG. 2 is a top view thereof;
FIG. 3 is a bottom view thereof;
FIG. 4 is a back view thereof;
FIG. 5 is a front view thereof;
FIG. 6 is a right side view thereof; and,
FIG. 7 is a left side view thereof.

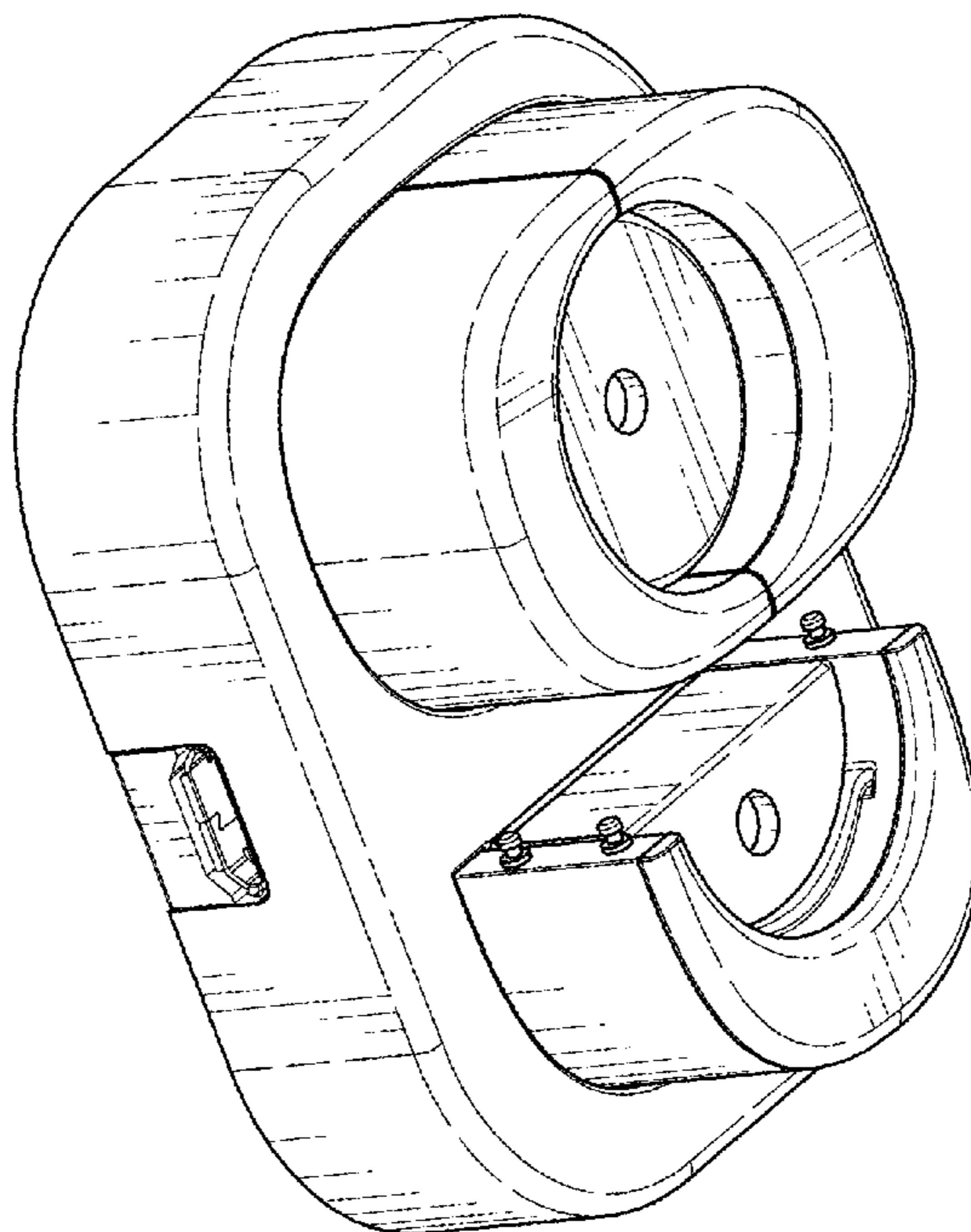
The broken lines shown in the drawings are included for the purpose of illustrating environmental structure and form no part of the claimed design.

1 Claim, 4 Drawing Sheets

(56) **References Cited**

U.S. PATENT DOCUMENTS

D517,086 S * 3/2006 Siebel D14/453
D535,612 S * 1/2007 Chien D13/107
D541,740 S * 5/2007 Tsai D13/108
D615,491 S * 5/2010 Emminger D13/108
D654,431 S * 2/2012 Stephanchick D13/108
D654,866 S * 2/2012 Rautiainen D13/108



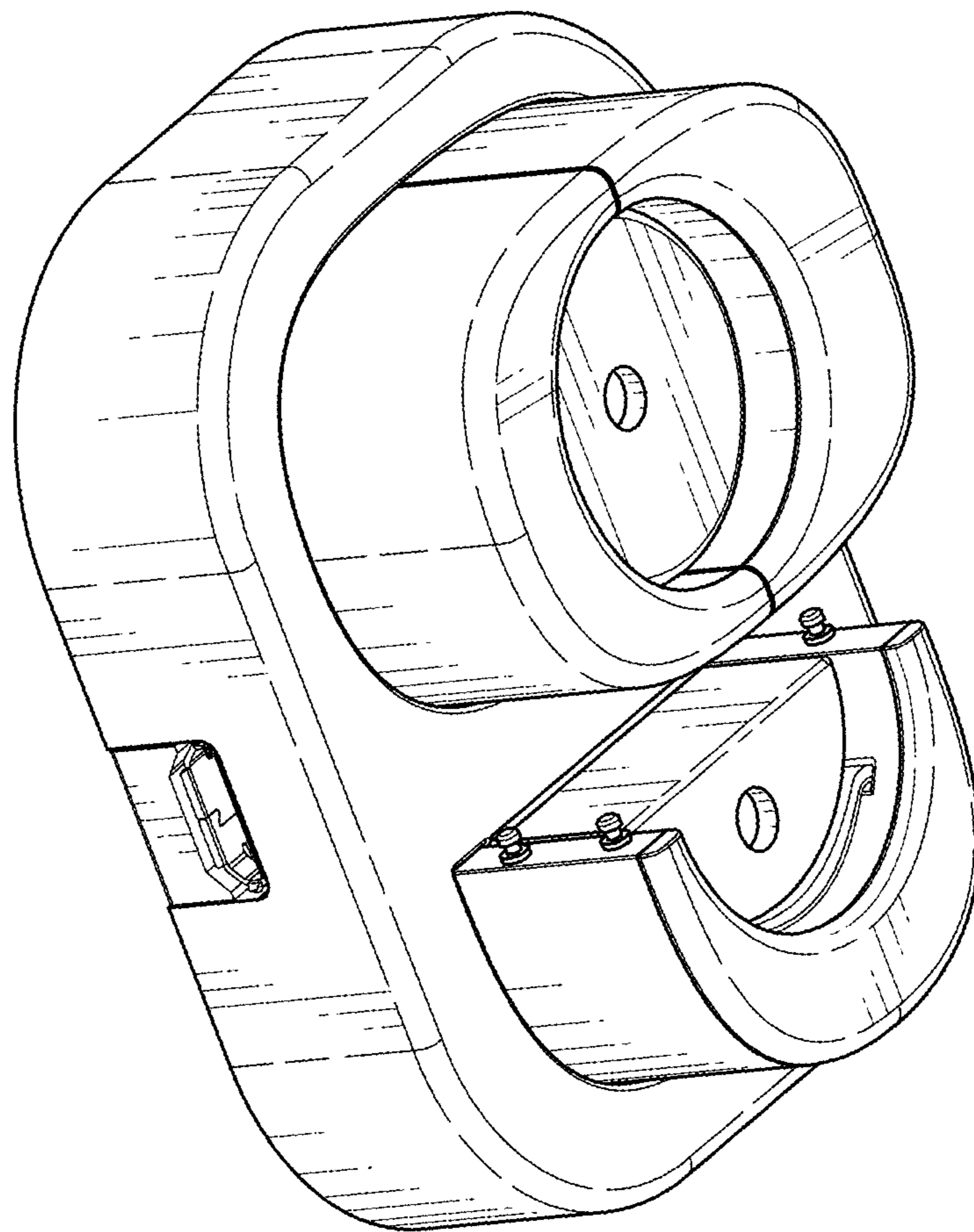


FIG. 1

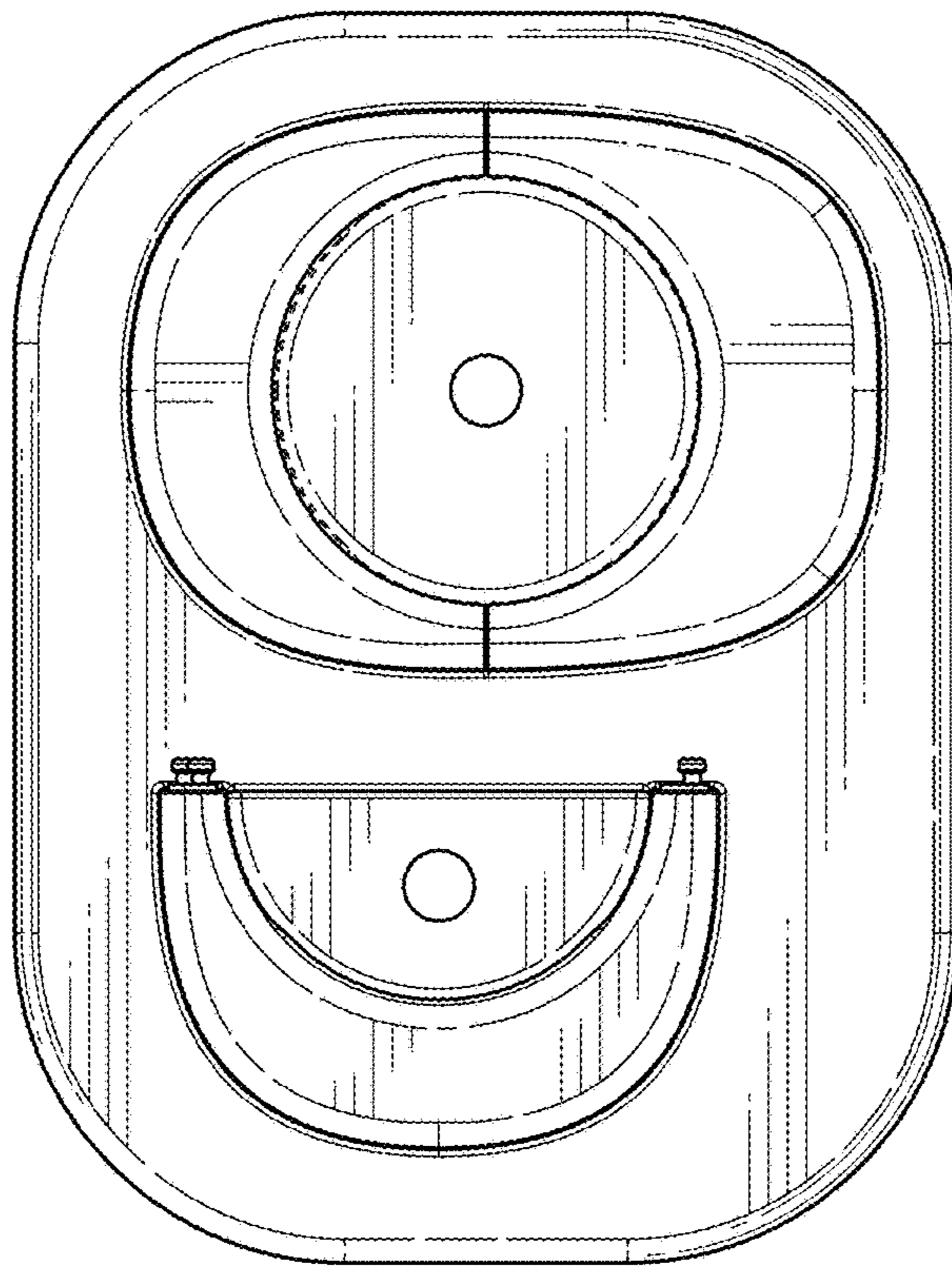


FIG. 2

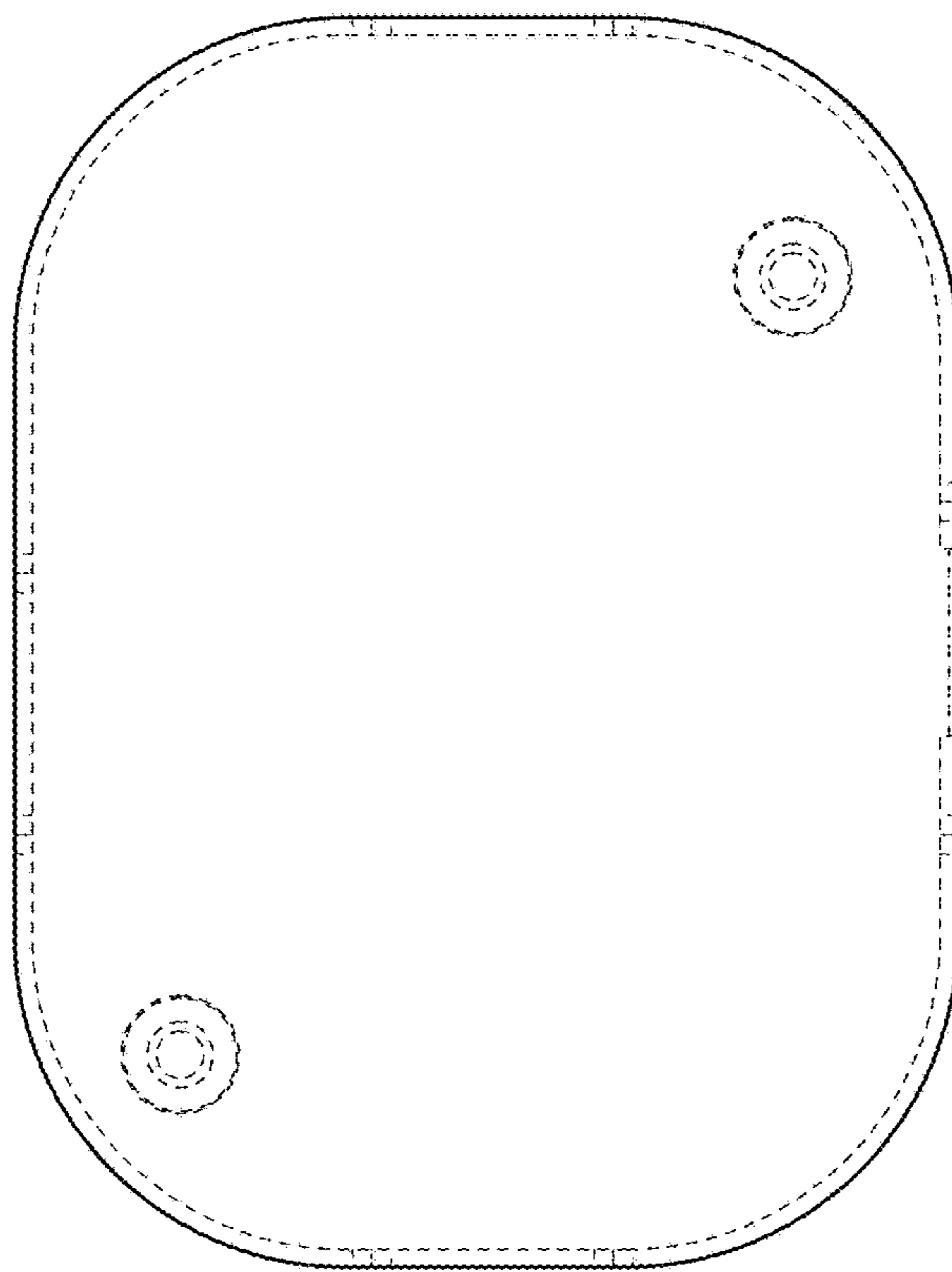


FIG. 3

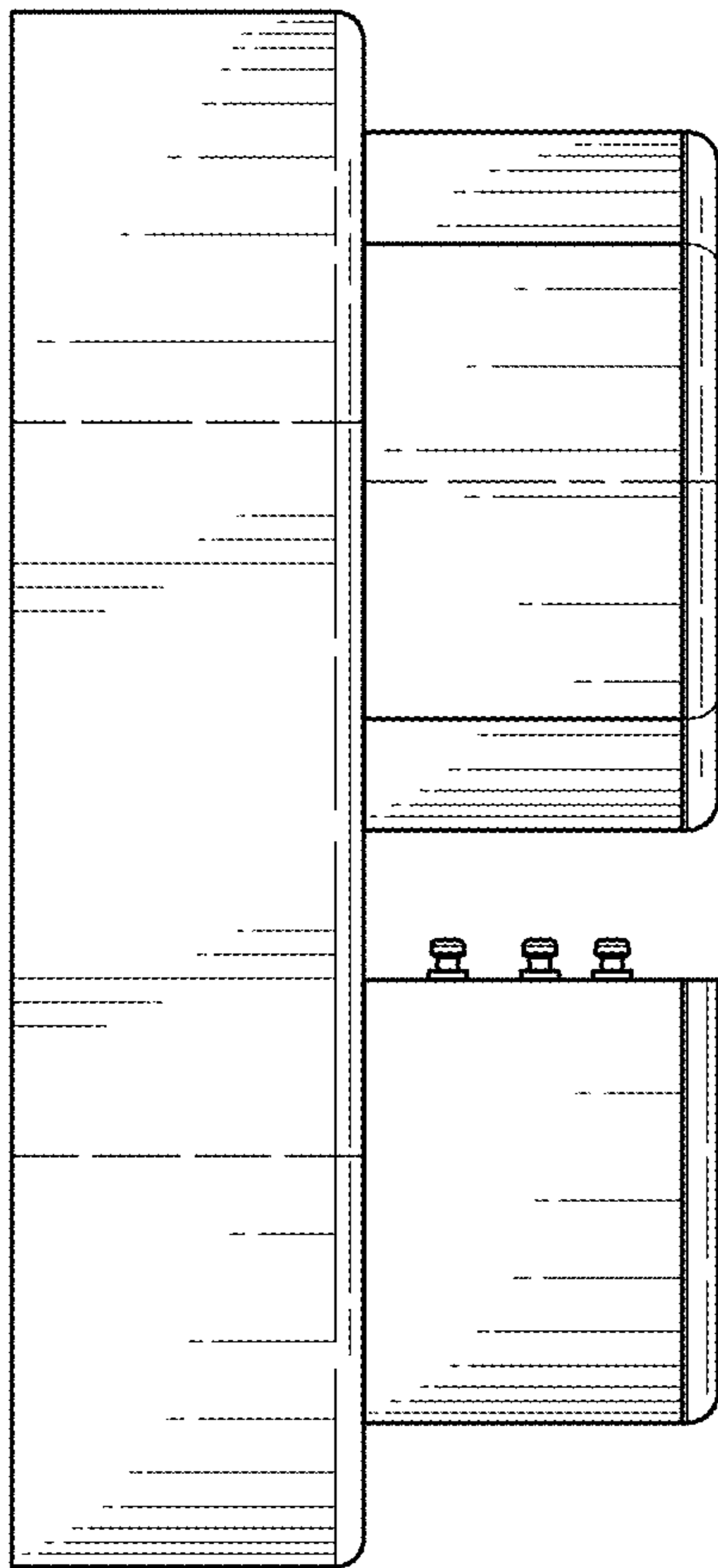


FIG. 4

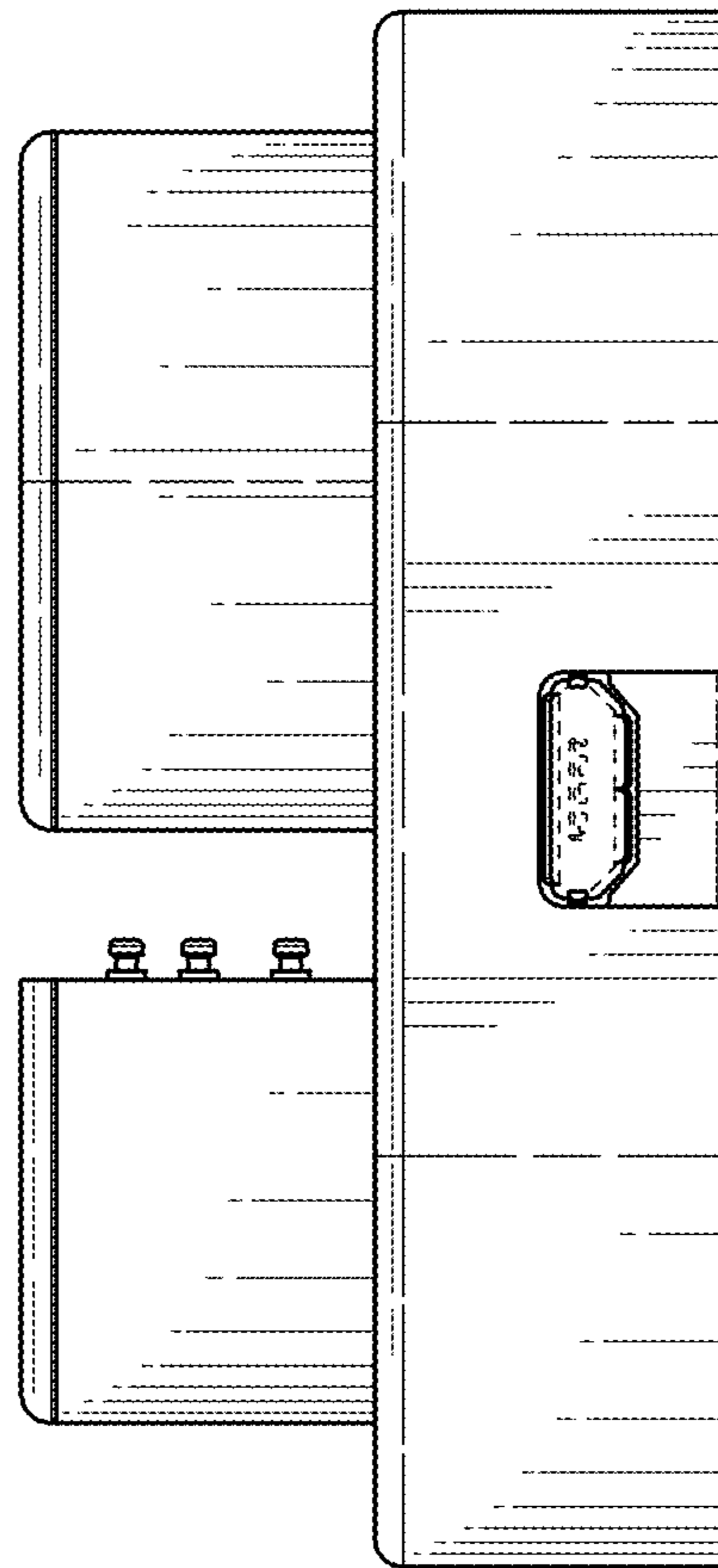


FIG. 5

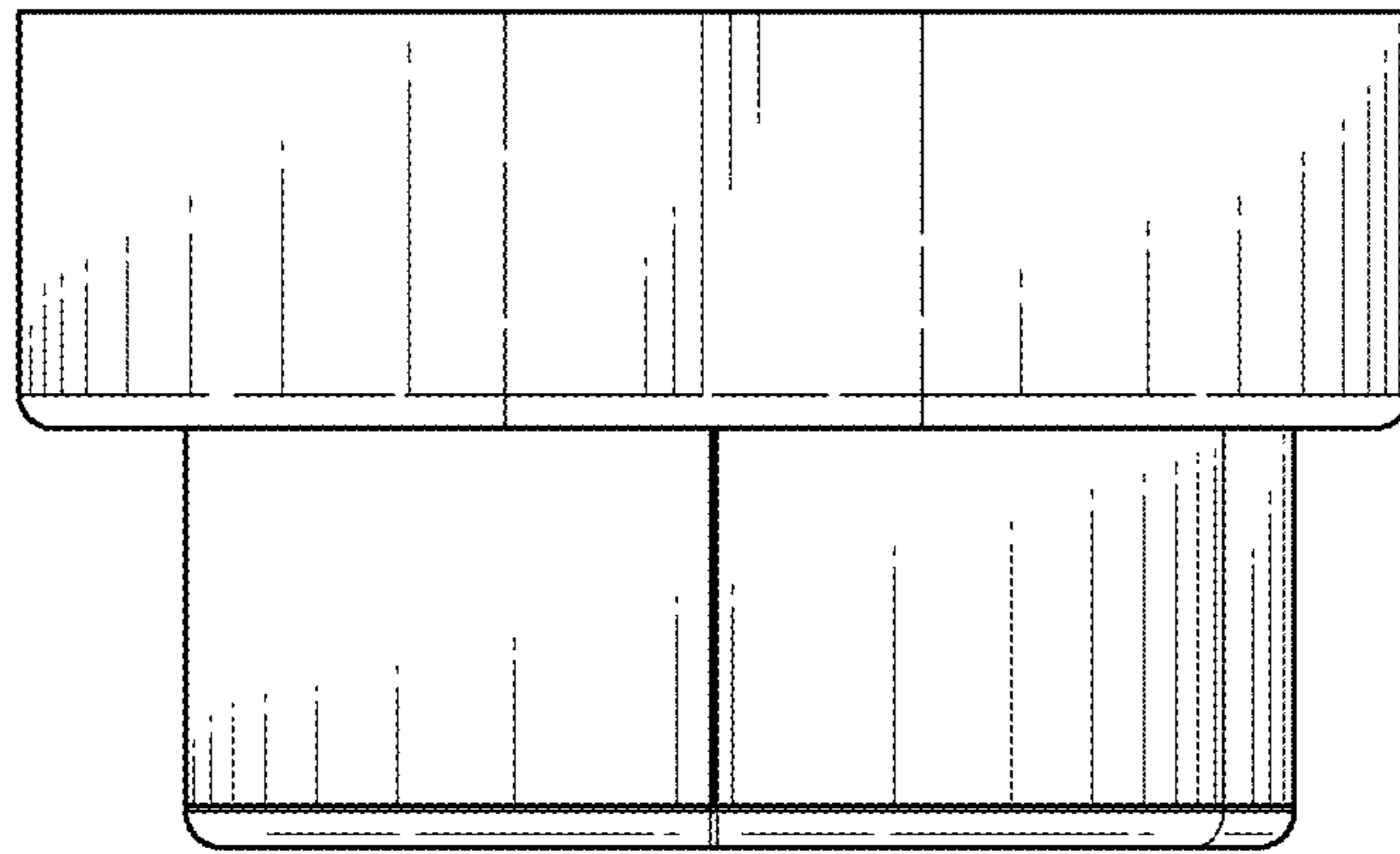


FIG. 6

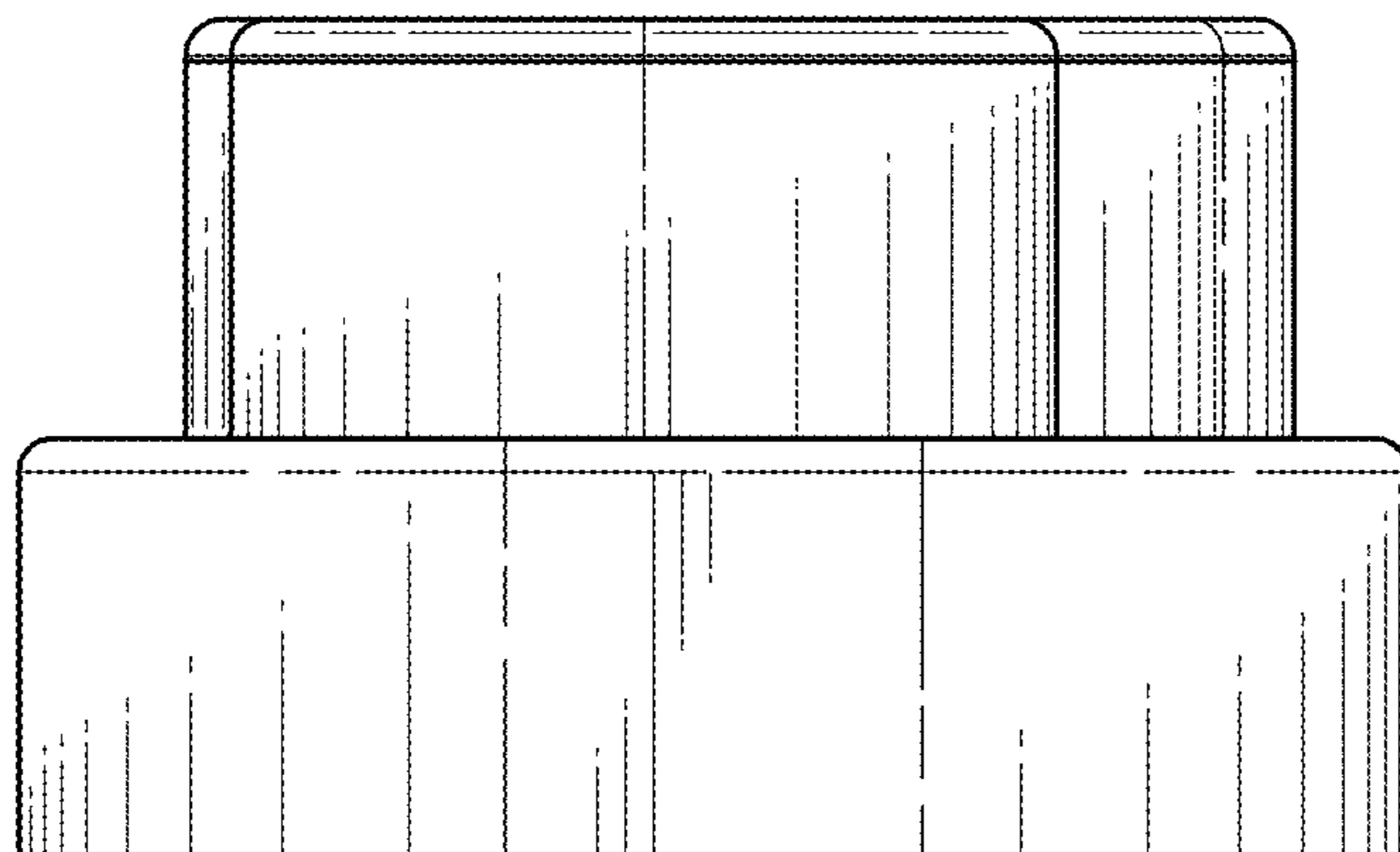


FIG. 7