



US00D783523S

(12) **United States Design Patent** (10) **Patent No.:** **US D783,523 S**  
**Jang et al.** (45) **Date of Patent:** **\*\* Apr. 11, 2017**

(54) **BATTERY FOR VACUUM CLEANER**  
(71) Applicant: **SAMSUNG ELECTRONICS CO., LTD.**, Suwon-si (KR)  
(72) Inventors: **Jae-Ho Jang**, Seoul (KR); **Jae-Jin Lee**, Seoul (KR); **Hyoung-Sub Choi**, Goyang-si (KR)  
(73) Assignee: **SAMSUNG ELECTRONICS CO., LTD.**, Gyeonggi-Do (KR)

D435,827 S \* 1/2001 Rausch ..... D13/103  
D546,277 S \* 7/2007 Andre ..... D13/103  
D547,264 S \* 7/2007 Kondo ..... D13/103  
D565,814 S 4/2008 Agren et al.  
D624,011 S \* 9/2010 Bertagnole ..... D13/103  
D631,835 S \* 2/2011 Neidhart ..... D13/103  
D635,507 S \* 4/2011 Ueda ..... D13/103  
D637,552 S \* 5/2011 Inman ..... D13/103  
D642,517 S \* 8/2011 Inman ..... D13/103  
D660,788 S \* 5/2012 Ziring ..... D13/103  
D682,195 S \* 5/2013 Aglassinger ..... D13/103

(Continued)

(\*\*) Term: **15 Years**  
(21) Appl. No.: **29/556,121**  
(22) Filed: **Feb. 26, 2016**

**FOREIGN PATENT DOCUMENTS**

CN 302482458 11/2013  
CN 302967353 10/2014

(Continued)

*Primary Examiner* — Rosemary K Tarcza  
(74) *Attorney, Agent, or Firm* — Cantor Colburn LLP

(30) **Foreign Application Priority Data**  
Aug. 31, 2015 (KR) ..... 30-2015-0043858

(57) **CLAIM**

(51) **LOC (10) Cl.** ..... **13-02**  
(52) **U.S. Cl.**  
USPC ..... **D13/103**

The ornamental design for a battery for vacuum cleaner, as shown and described.

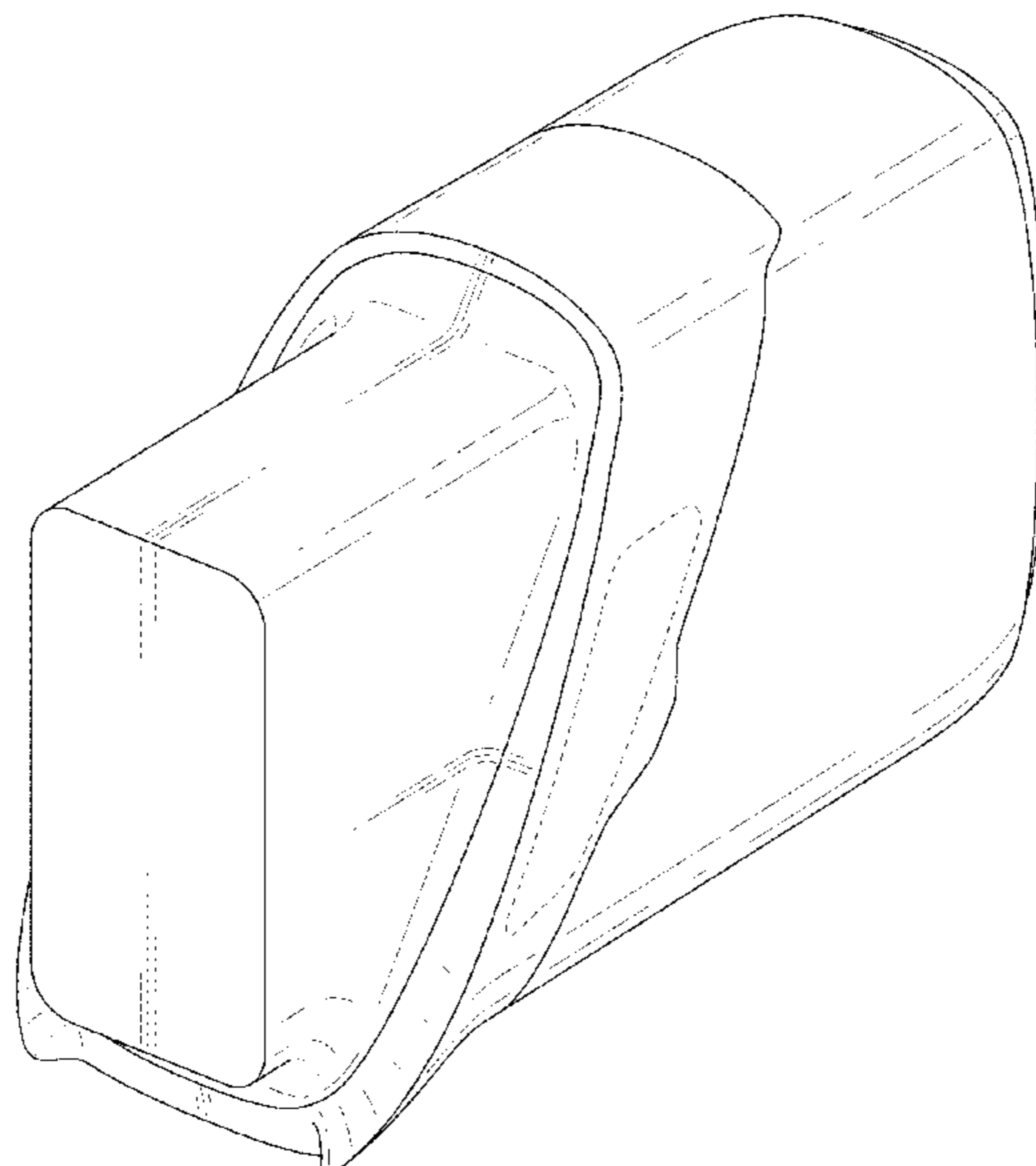
(58) **Field of Classification Search**  
USPC ..... D13/102–104, 110, 118–121, 184, 199;  
429/96–100, 163, 176  
CPC ..... Y02E 60/12; Y02E 60/122; Y02E 60/124;  
Y02E 60/50; H01M 2/02; H01M 2/022;  
H01M 2/0202; H01M 2/0207; H01M  
2/0212; H01M 2/1061; H01M 2/1022;  
H01M 2/1055; H01M 2/1066; H01M  
2/105; H01M 2/204; H01M 10/4257;  
H01M 10/0436; H01M 10/48  
See application file for complete search history.

**DESCRIPTION**

FIG. 1 is a perspective view of a battery for vacuum cleaner, showing our new design;  
FIG. 2 is a front view thereof;  
FIG. 3 is a rear view thereof;  
FIG. 4 is a side view thereof;  
FIG. 5 is another side view thereof;  
FIG. 6 is a top view thereof;  
FIG. 7 is a bottom view thereof; and,  
FIG. 8 is another perspective view thereof in an environment of use.  
The broken lines shown in the drawings are included for the purpose of illustrating environmental structure and form no part of the claimed design.

(56) **References Cited**  
U.S. PATENT DOCUMENTS  
D313,391 S \* 1/1991 Pudwill ..... D13/103  
D335,277 S \* 5/1993 Hattori ..... D13/103

**1 Claim, 8 Drawing Sheets**



(56)

**References Cited**

U.S. PATENT DOCUMENTS

D699,672 S *	2/2014	Kosugi .....	D13/103
D708,571 S *	7/2014	Ji .....	D13/103
D709,444 S *	7/2014	Ibuki .....	D13/103
D712,348 S *	9/2014	Zhang .....	D13/103
D724,013 S *	3/2015	Zsolcsak .....	D13/103
D740,222 S *	10/2015	Tang .....	D13/103
D741,794 S *	10/2015	Wright .....	D13/103
D766,175 S *	9/2016	Tsiopanos .....	D13/103

FOREIGN PATENT DOCUMENTS

EM	0006310070002	1/2007
EM	0019860010001	2/2012
KR	300774948	12/2014

\* cited by examiner

FIG. 1

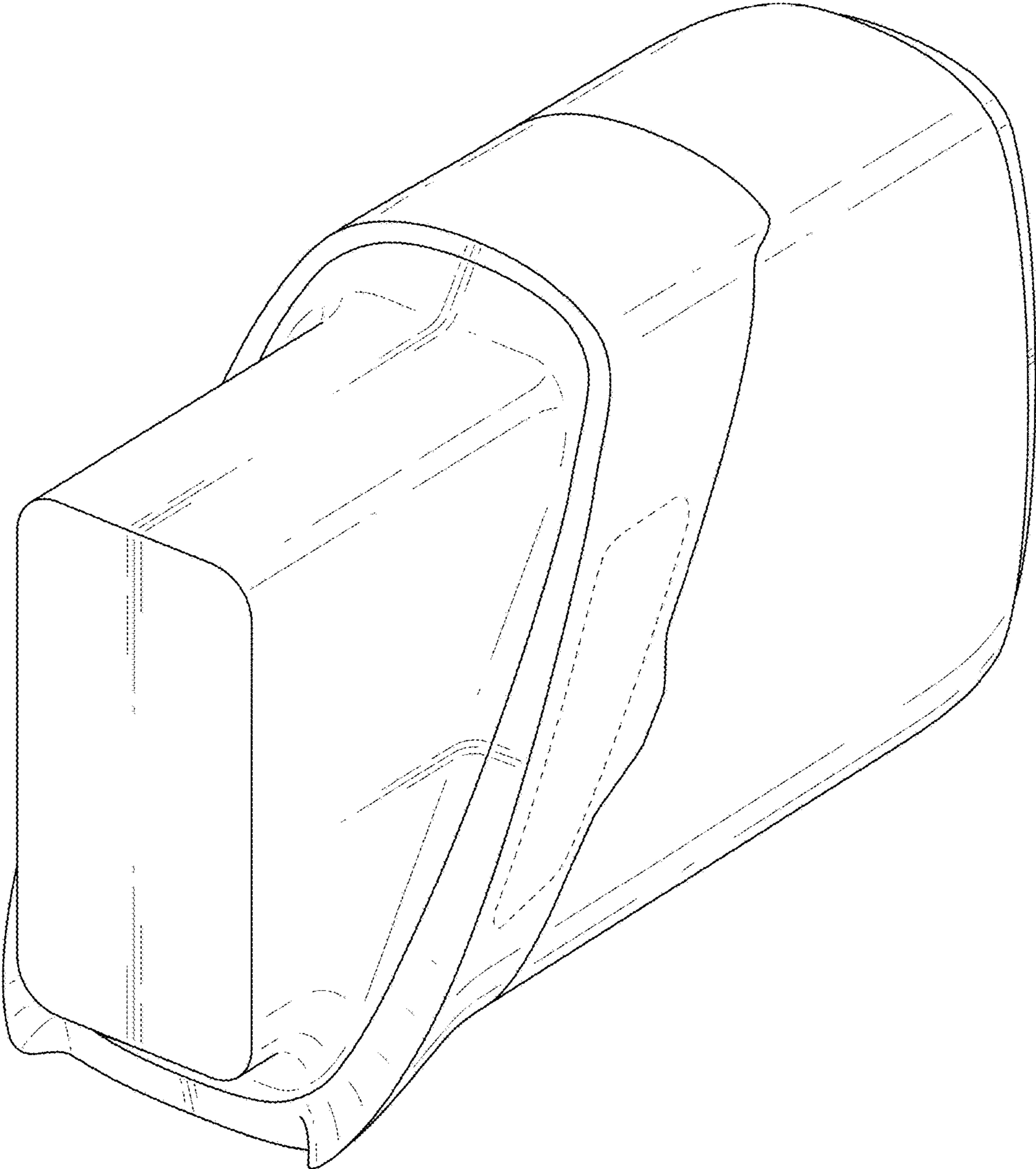


FIG. 2

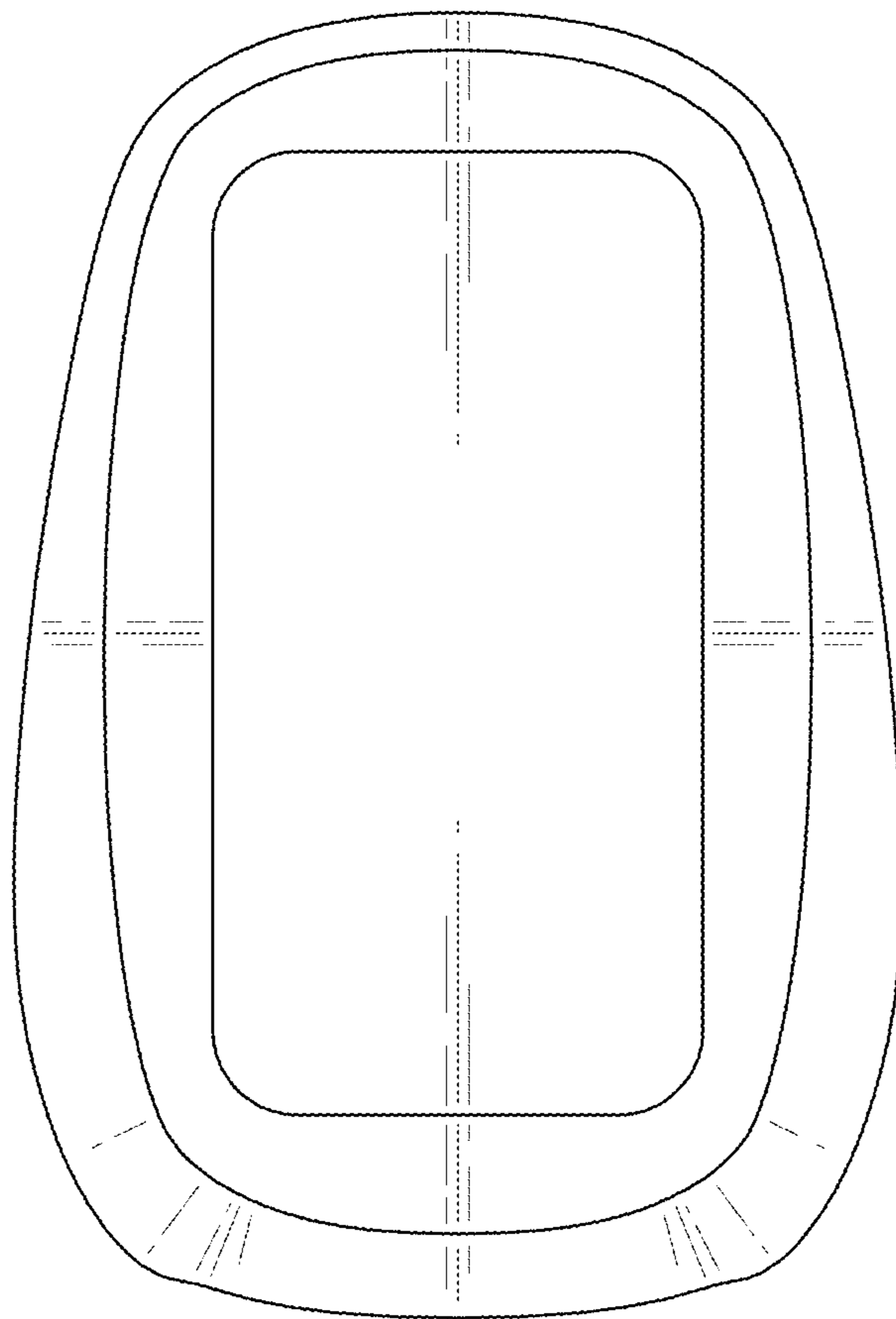


FIG. 3

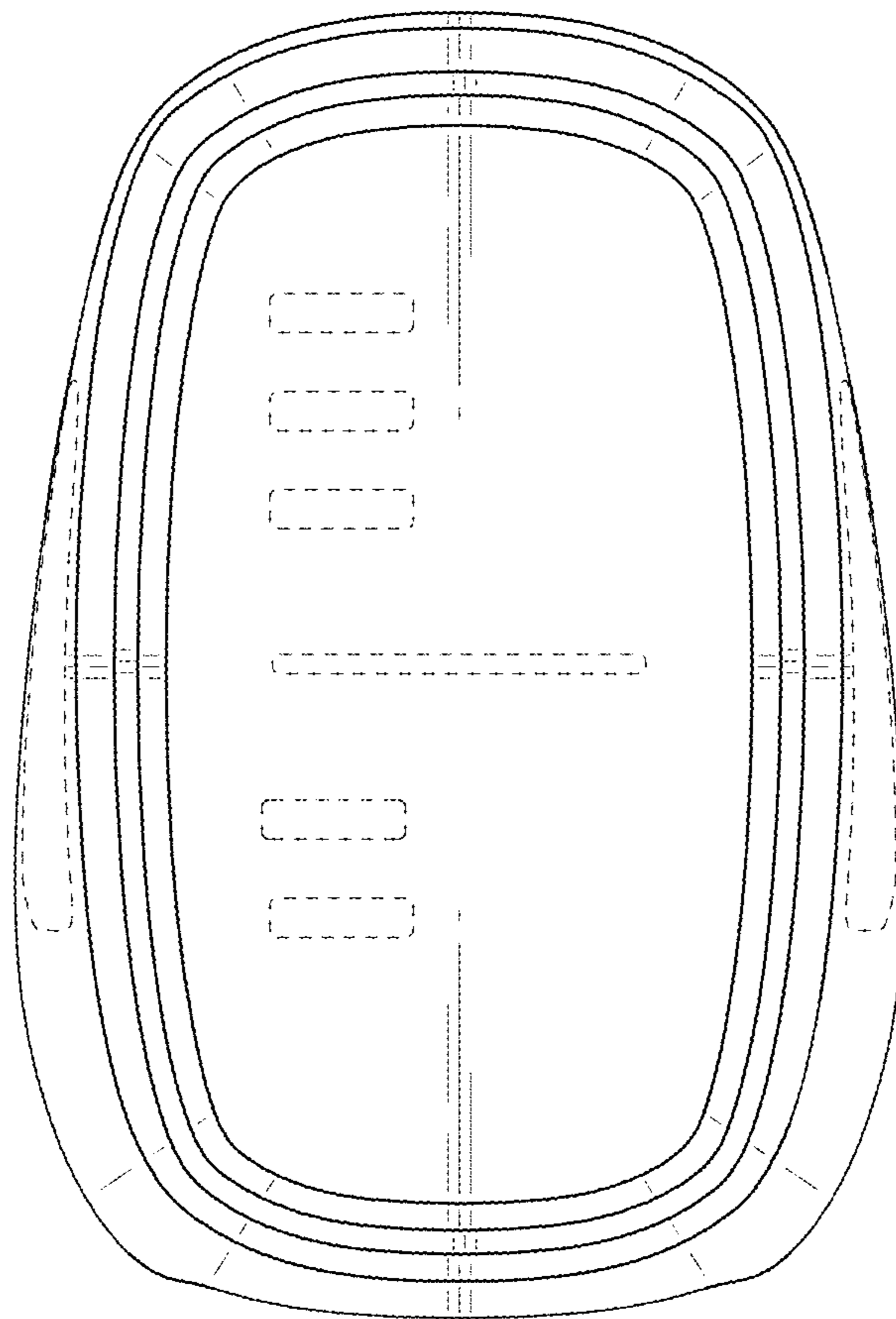


FIG. 4

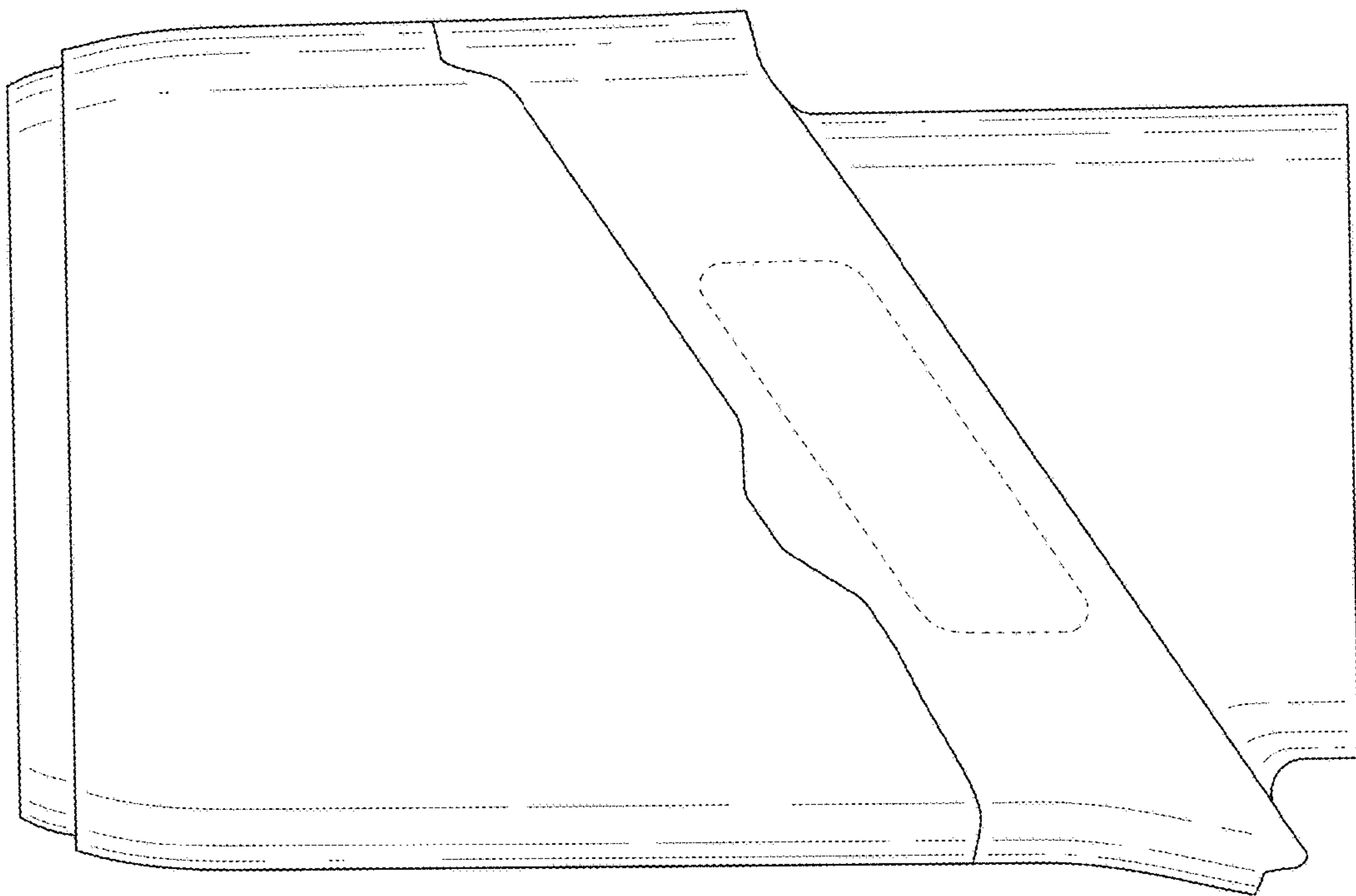


FIG. 5

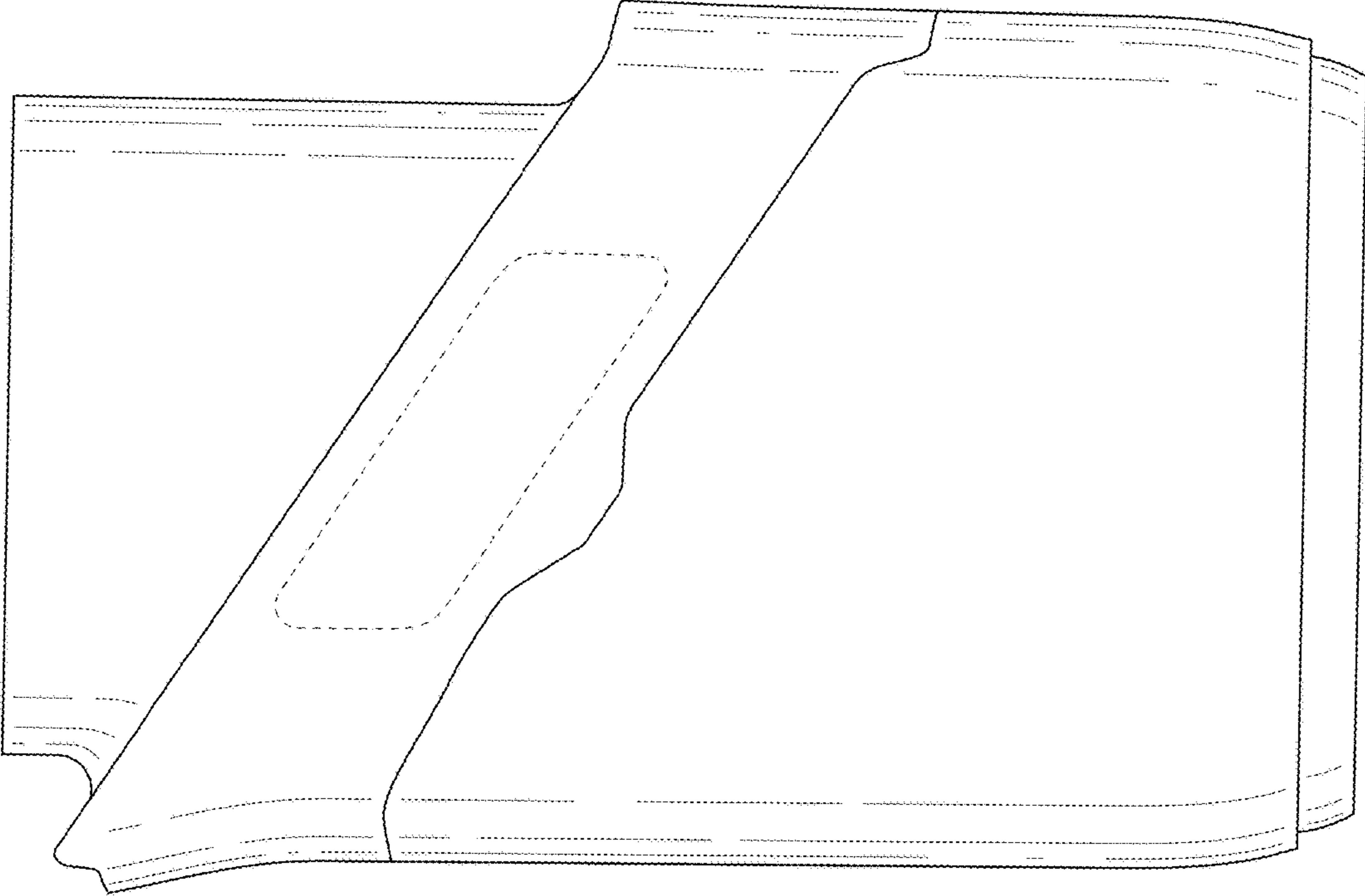


FIG. 6

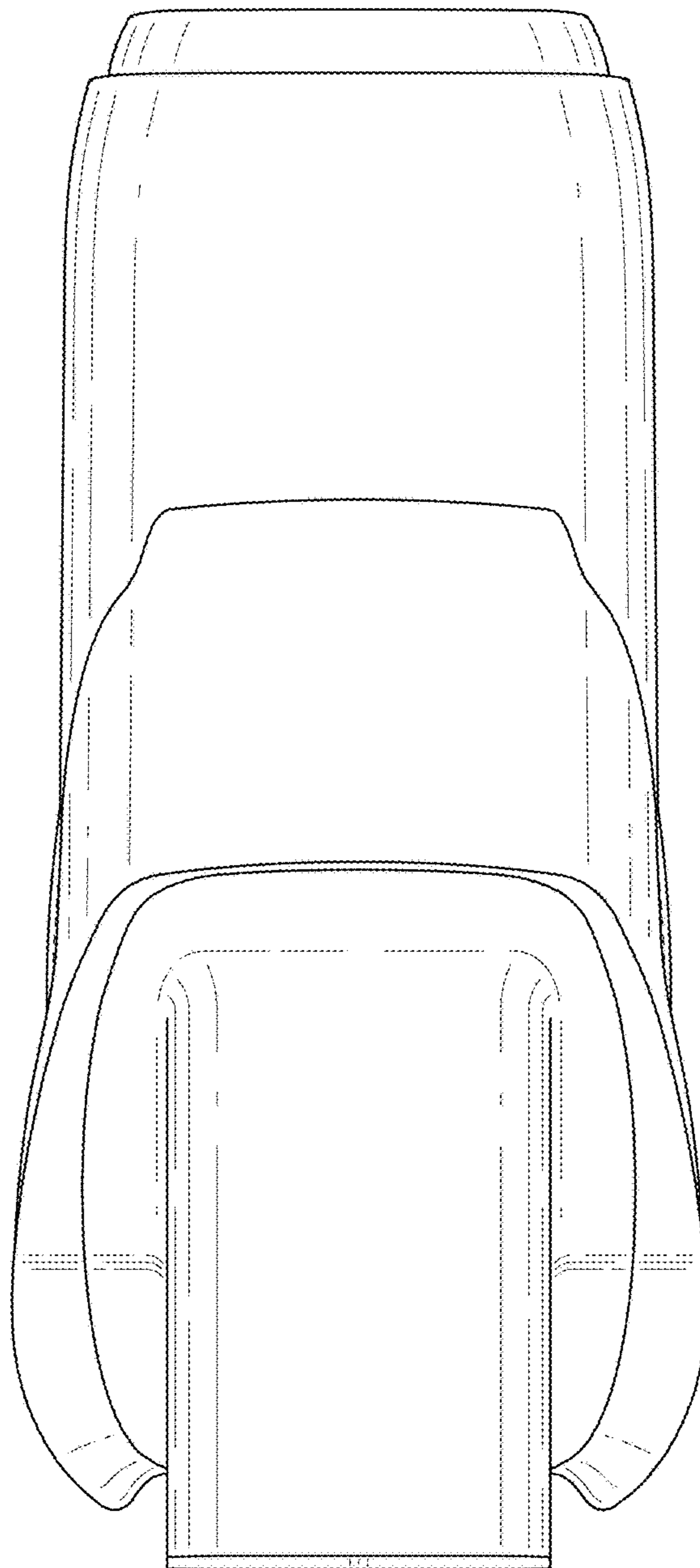




FIG. 7

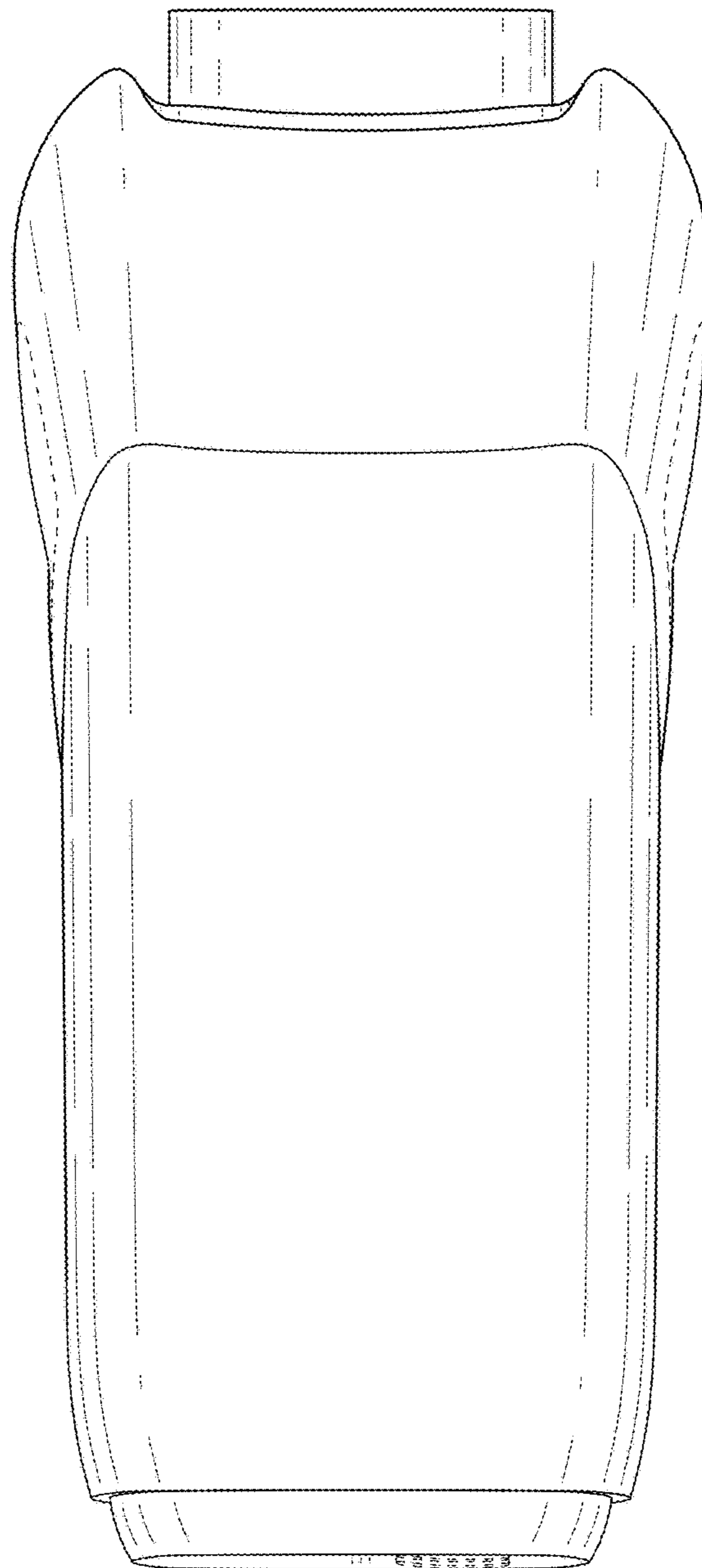


FIG. 8

